



# OWNER'S MANUAL

## OUTDOOR GAS FIREPIT

### ITEM # AFP-STT

AZPH-AS





### DANGER

If you smell gas:  
1. Shut off gas to the appliance.  
2. Extinguish any open flame.  
3. If odor continues, keep away from the appliance and immediately call your gas supplier or fire department.

### WARNING

Do not store or use gasoline or other flammable vapors and liquids in the vicinity of this or any other appliance. An LP-cylinder not connected for use shall not be stored in the vicinity of this or any other appliance.

### WARNING: For Outdoor Use Only

 DANGER	<b>CARBON MONOXIDE HAZARD</b> This appliance can produce carbon monoxide which has no odor. Using it in an enclosed space can kill you. Never use this appliance in an enclosed space such as a camper, tent, car or home.
	

### WARNING

Improper installation, adjustment, alteration, service or maintenance can cause injury or property damage. Read the installation, operating, and maintenance instructions thoroughly before installing or servicing this equipment.

Conforms to ANSISTD Z21.97-2017 Certified to CSA STD 2.41-2017

Outdoor decorative Gas Appliance.

**ATTACH YOUR RECEIPT HERE**

Serial Number \_\_\_\_\_ Purchase Date \_\_\_\_\_



**WARNING**

FOR OUTDOOR USE ONLY !

This product contains chemicals known to the State of California to cause cancer and birth defects or other reproductive harm



**DANGER**

If you smell gas and/or hear a gas hissing sound:

1. Immediately, SHUT OFF gas to the appliance.
2. Extinguish ALL open flames.
3. If odor continues, keep away from the appliance and immediately call your Gas Supplier or Fire Department.



**DANGER**

DO NOT store or use gasoline or other flammable vapors and liquids in the vicinity of this unit and or any other appliance.

An LP Gas tank not connected for use shall not be stored in the vicinity of this or any other appliance.



**DANGER**

Improper installation, adjustment, alteration, service or maintenance can cause injury or damage to property.

Read and understand the Owner's Manual thoroughly before installing or servicing this Fire Table / Column.

If the information in this Owner's Manual is NOT followed exactly, a fire or explosion may result and cause property damage, personal injury or loss of life.



**DANGER**

CARBON MONOXIDE HAZARD.

This appliance can produce carbon monoxide which is odorless.

Using it in an enclosed space can kill you.

Never use this appliance in an enclosed space such as inside a camper, tent, car or home.



Save this Owner's Manual and these instructions for future use.

If you are assembling this unit for someone else, give this Owner's Manual to them to read.

---

## SAFETY INFORMATION

Before you assemble or operate this unit, please read carefully this entire Owner's Manual. Failure to do so may result in a fire, explosion, injury or death.



The installation of this unit must adhere to local codes or either the National Fuel Gas Code, ANSI Z223. 1/NFPA54, OR CAN/CGA-B149.1, National Gas and Propane Installation Code.

- **THIS UNIT IS INTENDED FOR OUTDOOR USE ONLY!**

This product shall be used outdoors, in a ventilated space and shall not be used in any enclosed area.

- This unit is to be used with LP Gas / Propane Gas only!

(Propane Gas tank is not attached and not delivered with this unit.

Propane and Gas Tank is sold separately).

- Do not attach a remote gas supply to this unit.

- This unit is NOT intended for Natural Gas.

- Converting this unit to Natural Gas is dangerous and not recommended.

The conversion of this unit shall void the manufacturer warranty.

- Do not use any solid fuel or charcoal for this unit.

- When igniting this unit, exercise caution as some gas pooling from the Burner may cause the flame to flare that could cause injury.

- LP GAS WARNING : Do not use more than 1/4 inch depth of fire glass / pumice stones above the burner holes.

Excessive use of fire glass / pumice stones, will suffocate the flame.

- If the Propane Gas Tank is leaking gas, you can smell, hear a hiss, or sense a leak at the source.

Do the following:

1. Disconnect the Propane Gas tank.
2. DO NOT attempt to fix the problem yourself.
3. Move yourself and all persons away from the immediate area.
4. Only when everyone is at a safe distance away from the Fire Table, contact your Gas Supplier or Fire Department for help.

- Applying too much Propane Gas may result in gas pooling and will NOT burn.

Allow fresh air into the unit so that the remaining gas may escape.

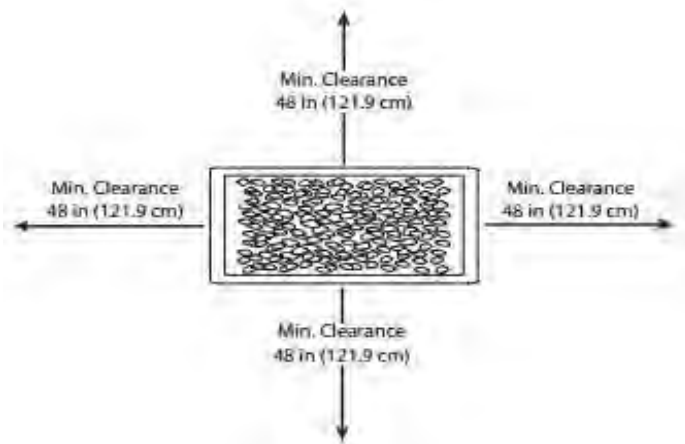
- DO NOT use a flame to check for gas leaks.

- The maximum inlet supply pressure: maximum Gas supply 11 inch w.c. (2.74kPa)

- Use LP propane tanks with the following dimensions: diameter 12 in, height 18 in - capacity 20lbs.

- You must use a Propane Gas Tank that has a collar to protect the Gas Valve.

- 
- DO NOT fill tank over 80% full.
  - The tank system must be set up for vapor withdrawal.
  - STOP using if any part of the Propane Gas Tank is damaged.  
Rust and dents in tank may be hazardous and should be inspected by a Gas Supplier.
  - DO NOT burn anything other than the provided materials for this Fire Table.
  - Keep away from the unit for the first 20 minutes after igniting your unit for the first time, as fire glass / pumice stones could pop out and cause injury.  
Should any fire glass pop out, discard them.
  - Always ensure that fire glass / pumice stones are completely dry before use.  
Failure to do so will cause them to crack or pop.
  - DO NOT operate unit until all parts are fully assembled.
  - DO NOT paint or color any part of this Fire Table / Column.
  - Unit may be hot while in use, DO NOT attempt to move it while in use.
  - Never leave this Fire Table / Column unattended while in use.
  - This unit is NOT intended for cooking.
  - Keep all flammable items away and DO NOT use any other fireplace cover for this unit.
  - Keep a safe distance to avoid burning skin or clothing.
  - DO NOT sit or rest hands or feet on this Fire Table / Column.
  - Never place hands or fingers onto upper portion of this unit while in use.
  - Keep all electrical cords and fuel supply hose away from heated surfaces.
  - Combustible material should NOT be within 72 inches of the top of the unit, and within 48 inches around the entire unit.



- 
- Keep the appliance area clear and free from combustible material, gasoline and other flammable vapors and liquids.
  - If the flame goes out while burning, turn the gas valve off. Wait 5 minutes before repeating the initial lighting procedure.  
Once you have a flame started, hold down the control knob for 1 minute.
  - DO NOT add water into the unit.
  - DO NOT operate unit if any part has been under water.  
Immediately call for a Qualified Service Technician to inspect the appliance.  
Where necessary, secure Qualified Service Technician to replace part(s) of the Control System and any gas control parts that has been under water.
  - DO NOT disconnect any part while the unit is in use.
  - DO NOT store a spare Propane Gas Tank on or near this unit.
  - If the Fire Table / Column is placed indoors for storage, detach the Propane Gas Tank and leave the tank outdoors.  
This unit is for outdoors use ONLY.
  - DO NOT operate on a boat or vehicle.  
This unit can only be used on any stationary outdoor flat surface ONLY
  - Always remove protective cover before operating (where applicable) and / or use of your Fire Table / Column.
  - DO NOT set the Protective Cover (E) over the unit until the Fire Table / Column is turned off and completely cooled down (where applicable).
  - Check for leaks after not using the unit for long periods of time.
  - Children must never operate this Fire Table / Column.  
Children must be supervised AT ALL TIMES while near this Fire Table / Column.
  - The maximum gas supply pressure is 250psi.
  - All installation and repair should be done by a Qualified Service Technician. This unit should be inspected annually and cleaned regularly.
  - Inspect all elements of this Fire Table / Column before each use. If there is damage, the Burner must be replaced.
  - Be aware of the hazards of high temperatures and stay away from the unit to avoid any burns or injury.
  - The gas supply tank should be constructed and marked with the specifications for the LP Gas tanks of the U.S. Department of Transportation or the National Standard of Canada CAN/CSA-B339, LP Gas tanks, spheres and tubes for Transportation of Dangerous Goods and Commission.
  - The LP Gas tank must have a listed overfilling prevention device and a QCCI or Type I, LP Gas tank connection.
  - This heating appliance should NOT be used on plastic, artificial wood decks .

---

- Children and adults should be alerted to the hazards of high surface temperatures and should stay away to avoid burns or clothing ignition.

- Young children MUST BE carefully supervised at all times when they are in the area of this appliance.

- Clothing or other flammable materials shall NOT be hung from the appliance or placed on or near the appliance.

- Any guard or other protective device removed for servicing the appliance shall be replaced prior to operating and use of this appliance.

- Installation and repair(s) should be done by a Qualified Service Technician.

The appliance should be inspected before use. If you suspect there are issues, contact a Qualified Service person.

More frequent cleaning may be required as necessary.

It is imperative that the control compartment, burners and circulating airways of the appliance are kept clean.

When APPLICABLE:

- Keep gas tank at least 5 feet away from unit when lit (if external tank).

- Allow Fire Burner / Column to cool down completely before placing on lid.

- Keep the hose away from any pathways to eliminate any accidental damage (if external tank).

- DO NOT use Fire Table while lid is installed. Always remove the lid while Fire Table is in use.


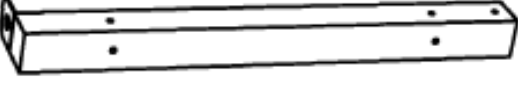
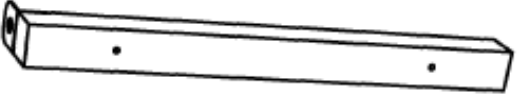
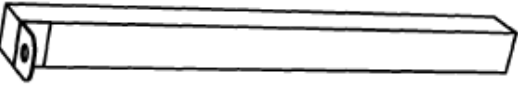



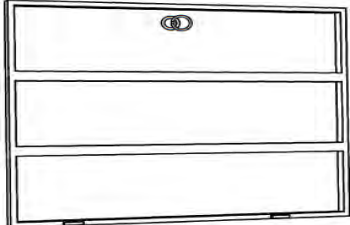
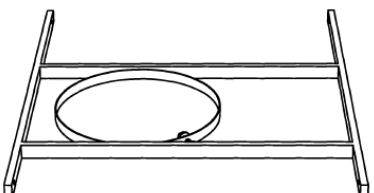
Use only the Regulator and Hose assembly provided with this unit. Replacement parts must be supplied directly by manufacturer.

Inspect the Burner before use of this unit.

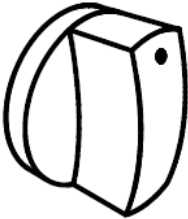
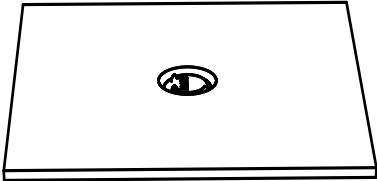
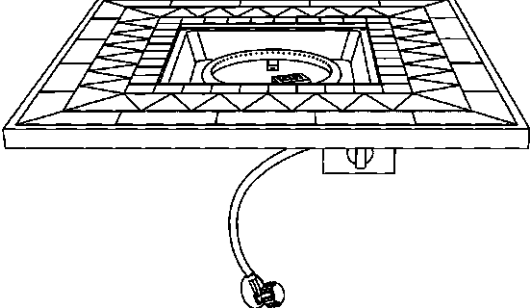

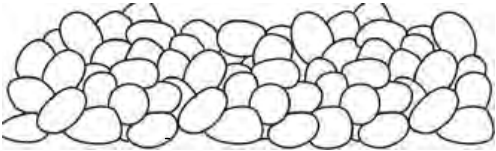
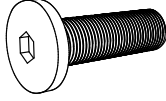
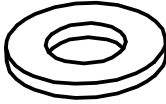

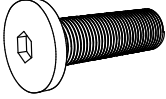
If the Burner shows any kind of damage, DO NOT operate the appliance. For assistance with repair or replacement of the Burner or any other parts, call : 1-888-775-1330

NOTE: You must follow all steps to properly assemble this Fire Table. Make sure the Gas Valve is turned "OFF" before assembling. DO NOT attempt to assemble without proper tools.

# PART LIST

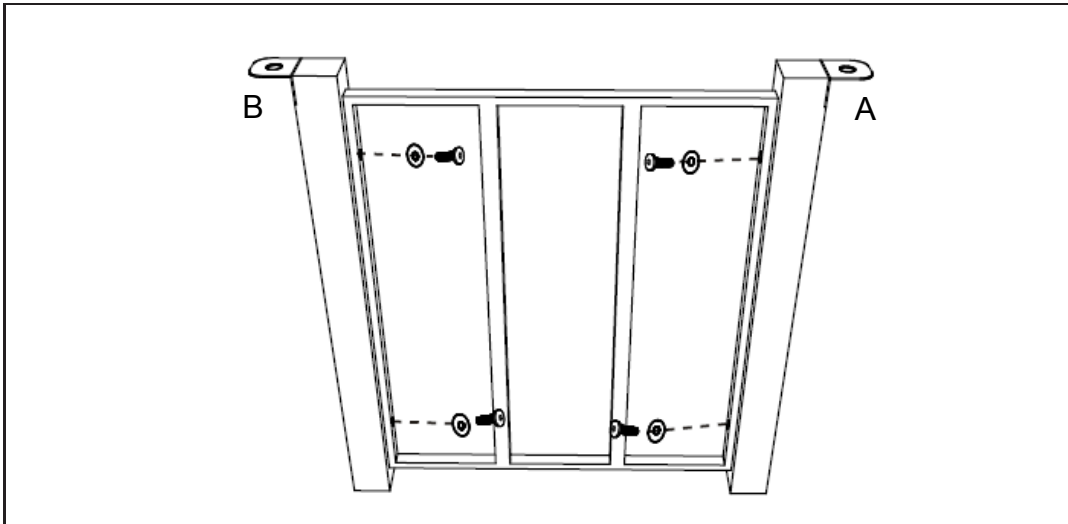
ITEM#	PICTURE	DESCRIPTION	QTY
A		Table Leg	1PC
B		Table Leg	1PC
C		Table Leg	1PC
D		Table Leg	1PC
E		Panel	1PC
F		Panel	1PC
G		Panel	1PC
H		Door	1PC
I		Tank Holder/Base	1PC

# PART LIST

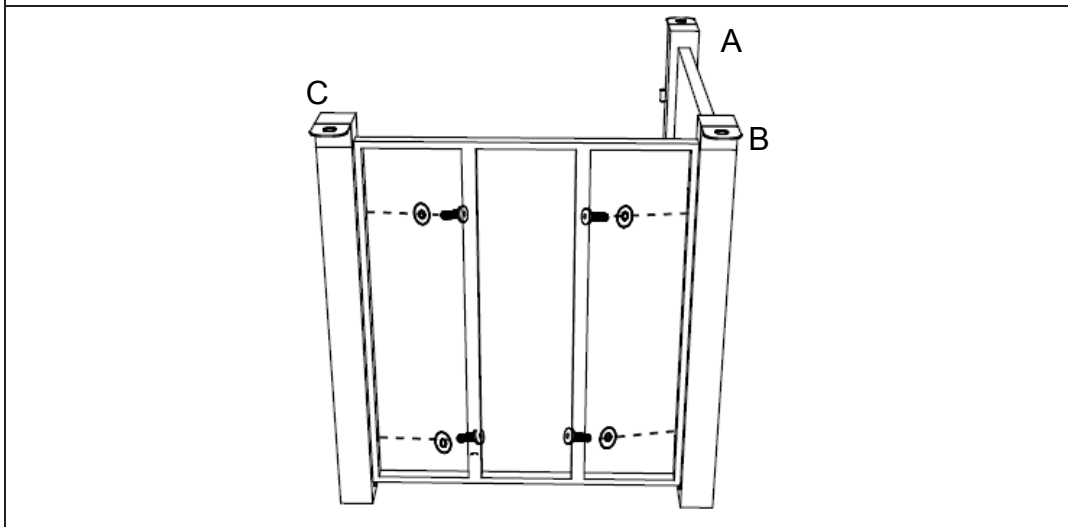
ITEM#	PICTURE	DESCRIPTION	QTY
J		Control Knob	1PC
K		Table Lid	1PC
L		Fire Table with Burner	1PC
M		PVC Cover	1PC
N		Fire Glass	1BOX
O		Screw(M6*20MM)	16PCS
P		M6 Washer	20PCS
Q		Screwdriver	1PC
R		Screw(M6*12MM)	4PCS



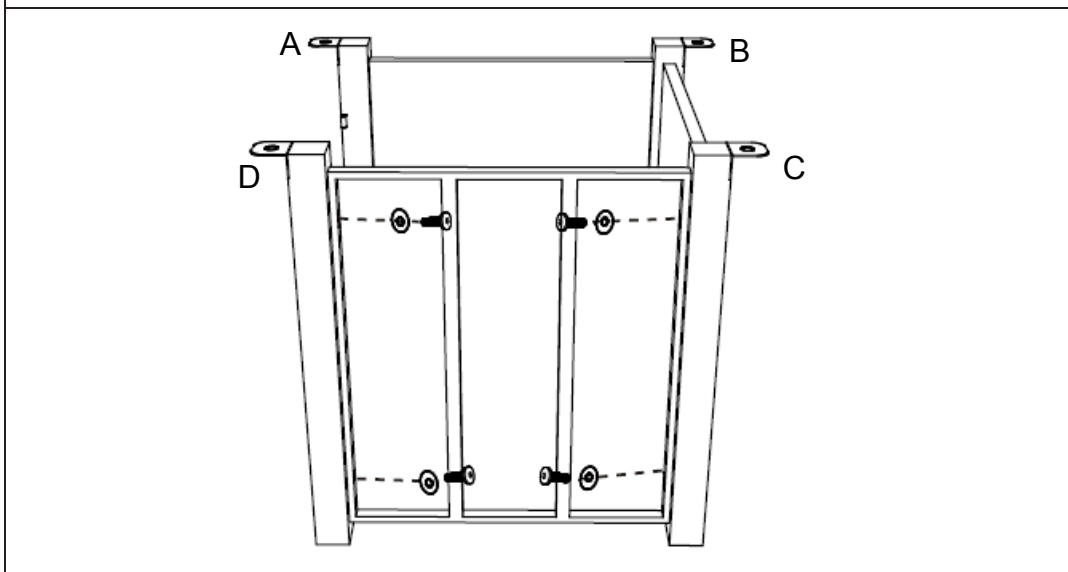
# ASSEMBLY INSTRUCTION



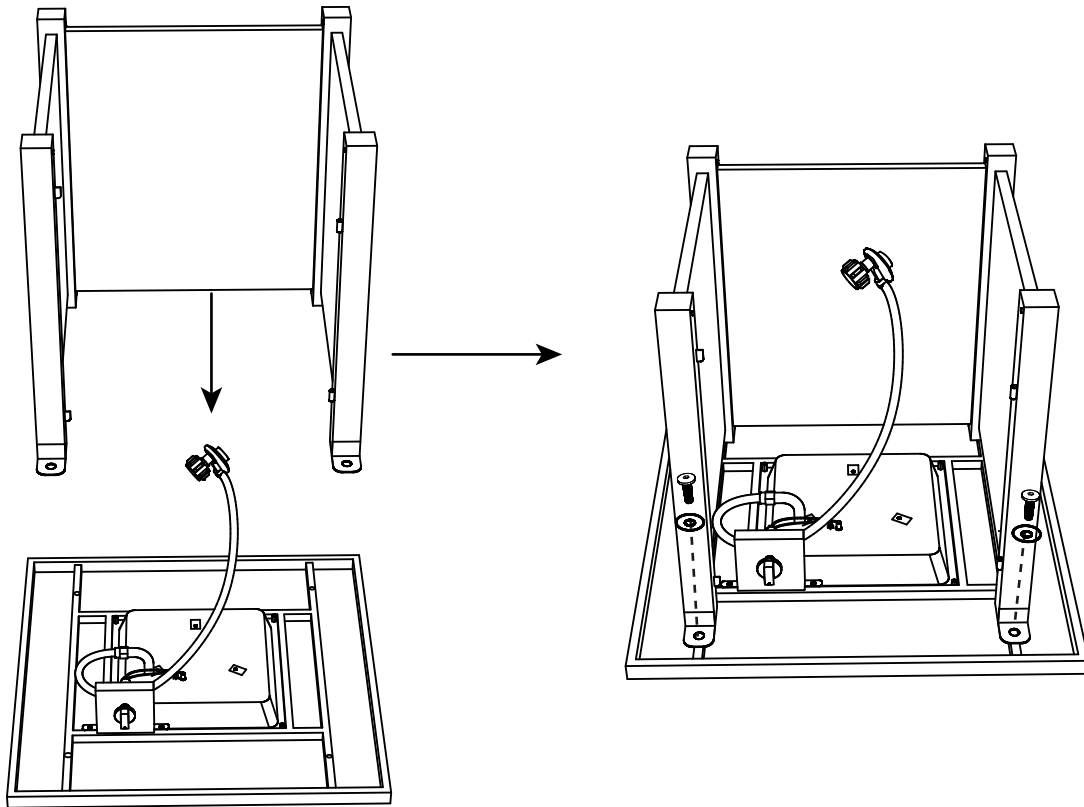
1. Use Panel(E) connecting table legs A&B, Attach it with 4 screws(o) and 4 M6 washers(P), using the Screwdriver(Q).



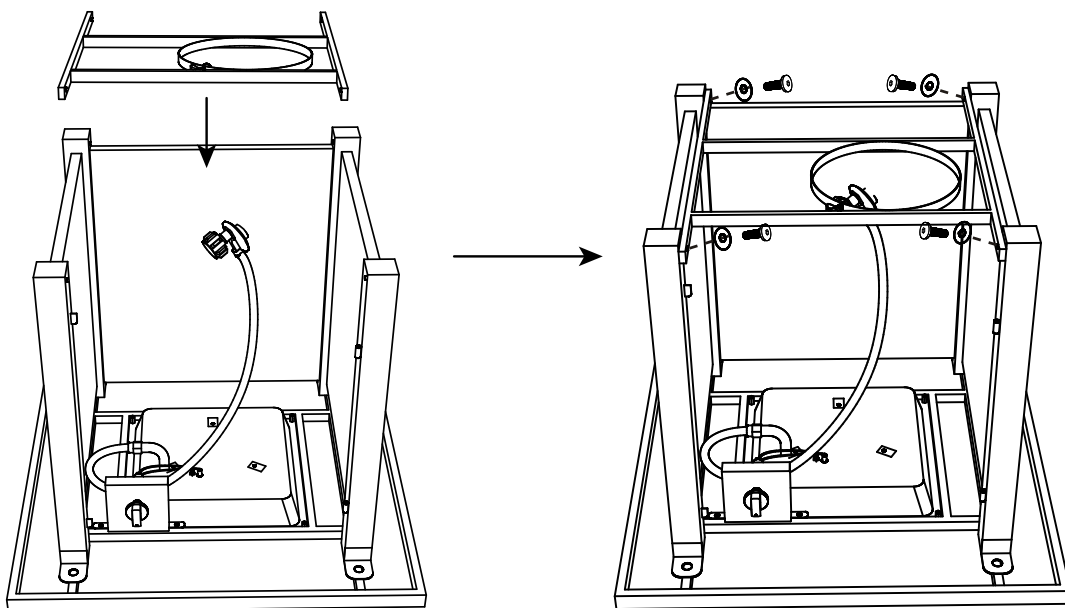
2. Use Panel(F) connecting table legs B&C, Attach it with 4 screws(o) and 4 M6 washers(P), using the Screwdriver(Q).



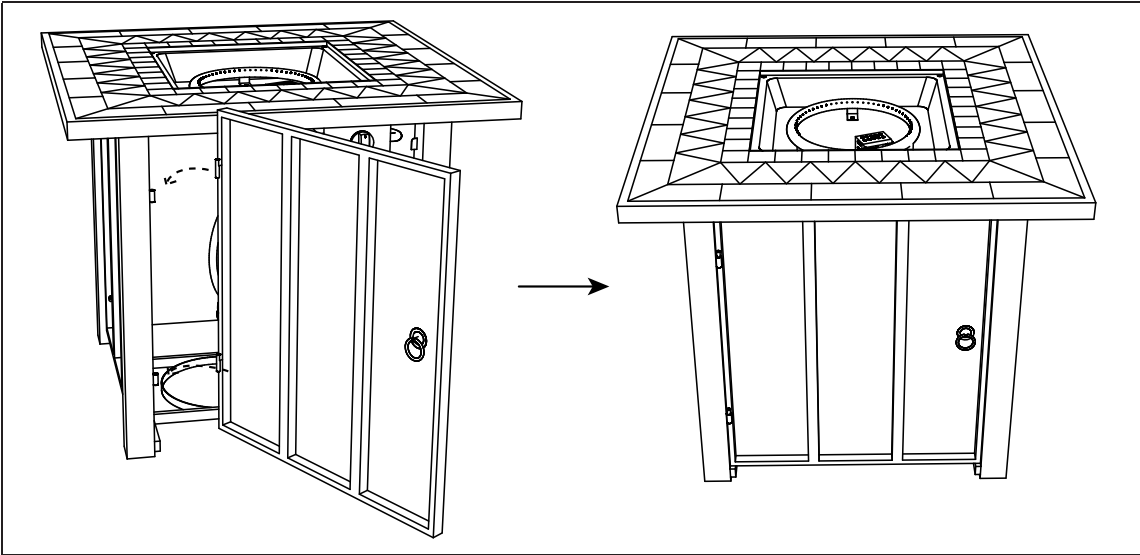
3. Use Panel(G) connecting table legs C&D, Attach it with 4 screws(o) and 4 M6 washers(P), using the Screwdriver(Q).



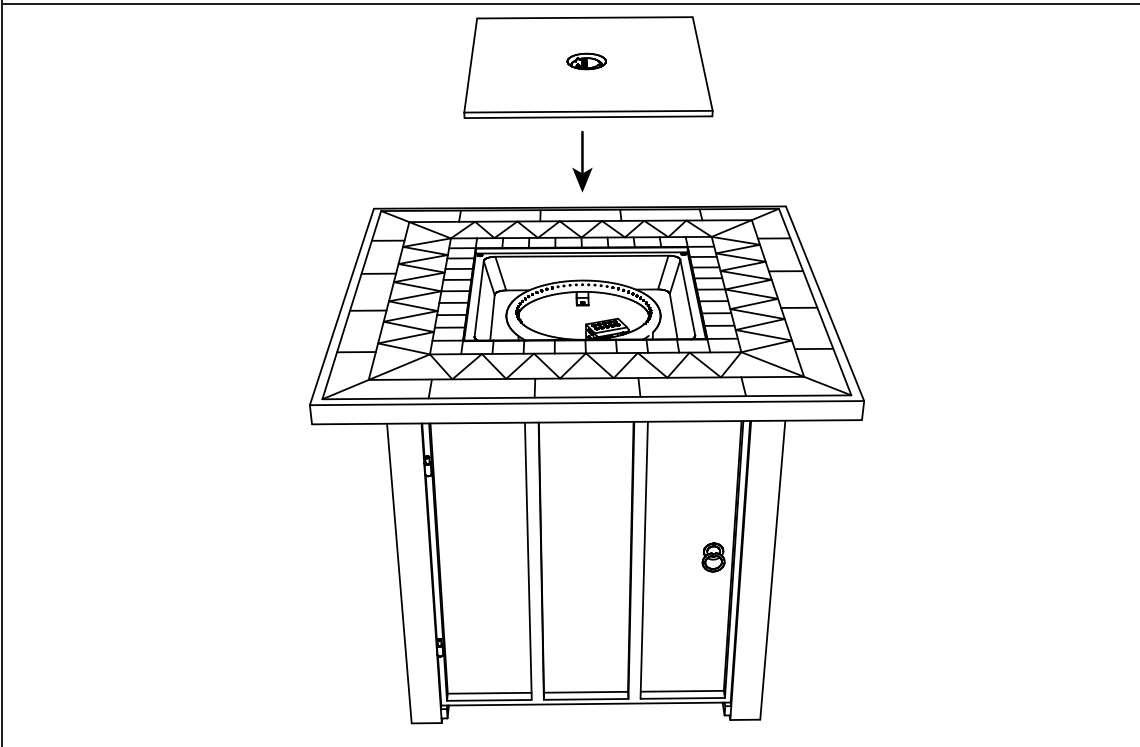
4. Attach the assembled base to the bottom of top using 4pcs of screws (R) and 4 M6 washers(P), using the Screwdriver(Q), Tighten the Bolts.



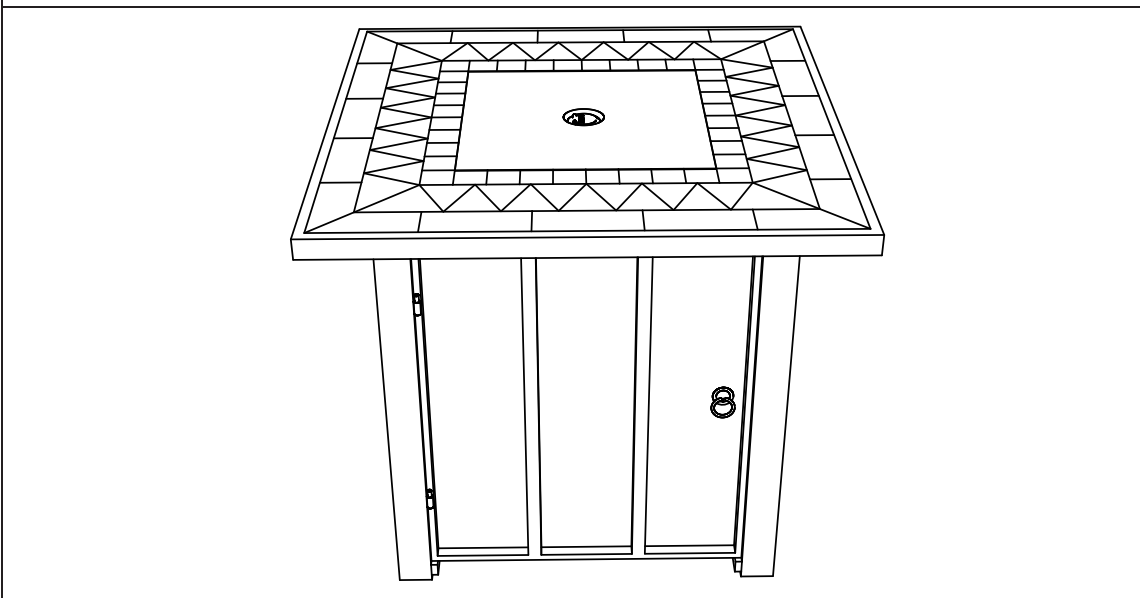
5..Place the Tank Holder/Base(I) Connecting all table legs ,Attach it with 4 screws(O) and 4 M6 washers(P), using the Screwdriver(Q).



6. Hang the panel with door (H) on the circular mounts.



8. Put the table lid.



## USAGE

Connect hose and regulator to cylinder

The propane gas and cylinder are sold separately. Use a standard 20 lb. propane cylinder only. Use this heater only with a propane vapor withdrawal supply system. See chapter 5 of the standard for storage and handling of liquefied petroleum gas, ANS/NFPA 58. Your local library or fire department should have this book. Storage of an appliance indoors is permissible only if the cylinder is disconnected and removed from the appliance. A cylinder must be stored outdoors in a well-ventilated area out of the reach of children. A disconnected cylinder must have dust caps tightly installed and must not be stored in a building, garage or any other enclosed area. The maximum inlet gas supply pressure: 250 psi /1750 kPa. The minimum inlet gas supply pressure: 5 psi/35kPa.

The minimum hourly of 10000 Btu /2.93 kW is required input rating for an appliance for automatic operation at ratings less than full input rating. The pressure regulator and hose assembly supplied with the appliance must be used.

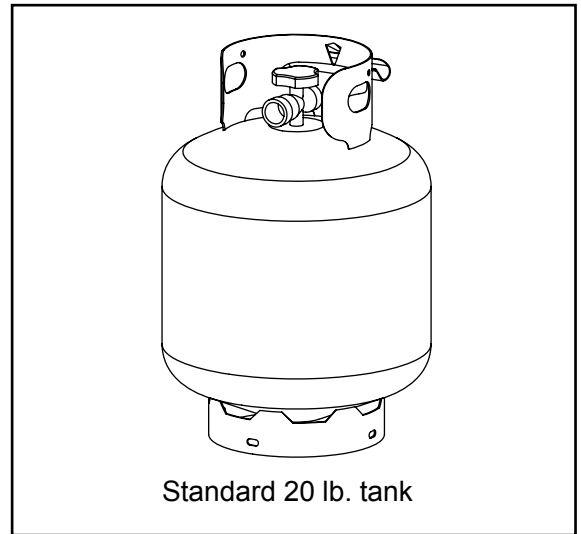
Properly locating the gas hose including locating the hose out of pathways where people may trip over it or in areas where the hose may be subject to accidental damage.



A dented, rusted or damaged propane cylinder may be hazardous and should be checked by your cylinder supplier. Never use a propane cylinder with a damaged valve connection.



The propane cylinder must be constructed and marked in accordance with the specifications for LP gas cylinders of the U.S. Department of Transportation (DOT) or the standard for cylinders, spheres and tubes for transportation of dangerous goods and commission, CAN/CSA-B339.

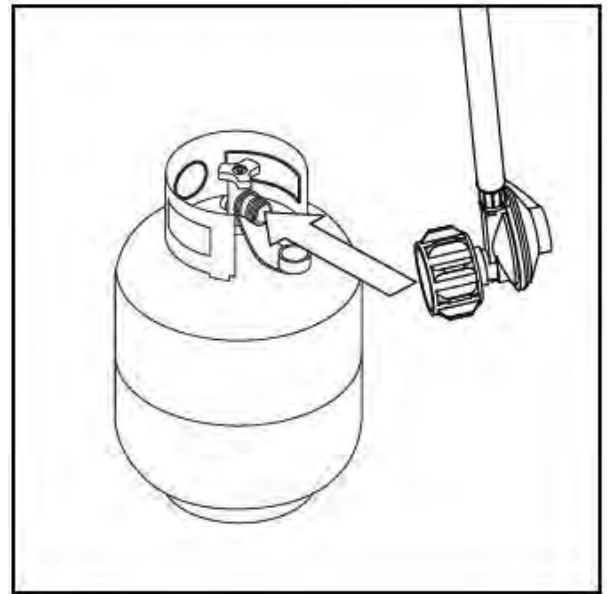
The cylinder must have a listed overfilling prevention device.

The cylinder must have a connection device compatible with the connection for the appliance.



The knob on the LP tank must be closed. Make sure that the knob is turned  clockwise to a full stop. The cylinder supply system must be arranged for vapor withdrawal. Check that the control knob on the control unit is turned off. Hold the regulator in one hand and insert the nipple into the valve outlet. Be sure the nipple is centered in the valve outlet. The coupling nut connects to the large outside threads on the valve outlet. Hand-tighten the coupling nut  clockwise until it comes to a full stop. Firmly tighten by hand only.

**To Disconnect:** Fully close the tank valve by turning  clockwise. Turn the coupling nut  counterclockwise until the regulator assembly detaches.



The cylinder used must include a collar to protect the cylinder valve.

Never connect an unregulated propane cylinder to the heater. Attach regulator to cylinder. Complete attachment. Fasten cylinder with strap, install cylinder.

The appliance must be isolated from the gas supply piping system by closing its individual manual shutoff valve during any pressure testing of the gas supply piping system at test pressures equal to or less than 1/2psi (3.5kPa).

Other cylinders may be acceptable for use with the appliance provided they are compatible with the appliance retention means.

- Do not store a spare LP-gas cylinder under or near this appliance; Never fill the cylinder beyond 80 percent full;
- Place the dust cap on the cylinder valve outlet whenever the cylinder is not in use. Only install the type of dust cap on the cylinder valve that is provided with the cylinder valve. Other type of caps or plugs may result in leakage of propane.

**ATTENTION:** THIS PRODUCT IS NOT FOR COMMERCIAL USE INTENDED FOR RESIDENTIAL USE ONLY.

***Do not sit or stand on this table .***

***Keep children away during assembly, This item contains small parts which can be swallowed by children.***

***Do not use indoors and inside any enclosure.***

***Retain the assembly instruction for future reference. Installer –***

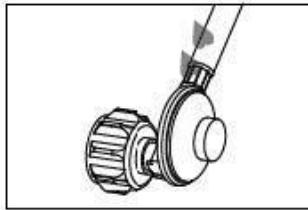
***Please leave these instruction with the owner.***

***Please quote following FQC NO. when contacting service center.***

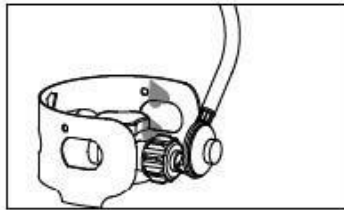
## Leak Check

### WARNING

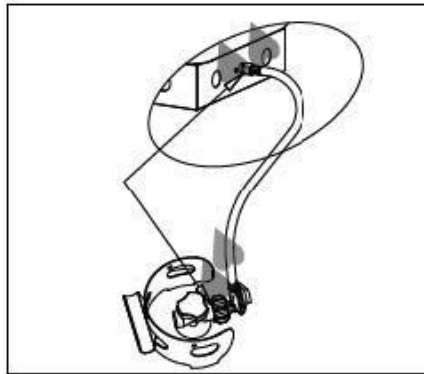
- Perform all leak tests outdoors.
- Extinguish all open flames.
- NEVER leak test when smoking.
- Do not use the fire pit until all connections have been leak tested and do not leak.



Hose/Regulator connection



Regulator/Cylinder connection



### DANGER

**NEVER USE A LIGHTER/FLAME TO CHECK FOR GAS LEAKS.**

1. Make 2-3 oz. of leak check solution (one part liquid dishwashing detergent and three parts water).
2. Apply several drops of solution where hose attaches to regulator.
3. Apply several drops of solution where regulator connects to cylinder.
4. Make sure all fire pit and light valves are OFF.
5. Turn cylinder valve ON.

**If bubbles appear at any connection, there is a leak.**

1. Turn cylinder valve OFF.
2. If leak is at hose/regulator connection: tighten connection and perform another leak test. If bubbles continue appearing, the hose should be returned to the place of purchase.
3. If leak is at regulator/cylinder valve connection: disconnect, reconnect, and perform another leak check. If you continue to see bubbles after several attempts, cylinder valve is defective and should be returned to cylinder's place of purchase.

**If NO bubbles appear at any connection, the connections are secure.**

**NOTE:** Whenever gas connections are loosened or removed, you must perform a complete leak test. Complete installation.

# OPERATION INSTRUCTIONS

## DANGER

- CARBON MONOXIDE HAZARD
- For outdoor use only. Never use inside house, or other unventilated or enclosed areas. This fire pit consumes air (oxygen). Do not use in unventilated or enclosed areas to avoid endangering your life.

## DANGER

### **Very hot while in a operation!**

Never lean over the fireplace while in use. Do not touch tile of spark guard while the fire pit is in operation, wait until the fire pit has cooled down after use. **Failure to comply with these instructions may result in serious bodily injury.**

**Caution:** *Do not attempt to operate until you have read and understand all General Safety Information in this manual and all assembly is complete and leak checks have been performed.*

### Before Turning Gas Supply ON:

1. Your fire pits was designed and approved for outdoor use only. Do NOT use it inside a building, garage, or any other enclosed area.
2. Make sure surrounding areas are free of combustible materials, gasoline, and other flammable vapors or liquids.
3. Ensure that there is no obstruction to air ventilation. Be sure all gas connections are tight and there are no leaks.
4. Be sure the cylinder cover is clear of debris. Be sure any component removed during assembly or servicing is replaced and fastened prior to starting.

### Before Lighting:

1. Fire pit should be thoroughly inspected before each use, and by a qualified service person at least annually. If relighting a hot fire pit, always wait at least 5 minutes.
2. Inspect the hose assembly for evidence of excessive abrasion, cuts, or wear. Suspected areas should be leak tested. If the hose leaks, it must be replaced prior to operation. Only use the replacement hose assembly specified by manufacturer.
3. Inspect the burner at intervals recommended by the manufacturer. The burner must be replaced prior to the appliance being put into operation if it is evident that the burner is damaged. Only use the replacement burner shall be that specified by the manufacturer.

### Lighting:

- 1) Turn the control knob to the "OFF" position.
- 2) Fully open LP cylinder valve.
- 3) Push in gas control knob and turn counterclockwise to "HIGH" until you hear a "CLICK" noise( you may need to do this a few times to light the flame)
- 4) After the fire pit lights, keep the knob depressed for one minute before releasing. Once released, turn the control knob to the desired setting.
- 5) You may set the flame to "LOW" by turning the knob fully counterclockwise.

**Note:** *Improper operation, can cause injury or property damage. If burner fails to remain lit, all valves should be closed and a waiting period of at least 5 minutes should pass before attempting to light.*

 **WARNING**

**FOR YOUR SAFETY**

Be careful when attempting to manually ignite this fire pit. Holding in the control knob for more than 10 seconds before igniting the gas will cause a ball of flame upon ignition.

When fire pit is ON:

Burner will display tongues of blue and yellow flame. These flames should be yellow. If it produces black smoke or residue on the striker cage, check for any obstruction of airflow through the burners. If excessive black smoke is detected, turn off heater and consult “Troubleshooting” on page 19.

Re-lighting:

1. Turn control knob to OFF.
2. Repeat the “Lighting” steps on prior page.

 **WARNING**

**FOR YOUR SAFETY**

Fire pit will be hot after use. Handle with extreme care.

Shut Down:

1. To extinguish burner depress control knob and continue to turn it clockwise to OFF.
2. Turn cylinder valve clockwise to OFF and disconnect regulator when heater is not in use.

**Operation Checklist**

For a safe and pleasurable heating experience, perform this check before each use.

**Before Operating:**

1. I am familiar with entire owner’s manual and understand all precautions noted.
2. All components are properly assembled, intact and operable.
3. No alterations have been made.
4. All gas connections are secure and do not leak.
5. Wind velocity is below 10 mph.
6. Unit will operate at reduced efficiency below 40°F.
7. Fire pit is outdoors (outside any enclosure).
8. There is adequate fresh air ventilation.



- 
9. Fire pit is away from gasoline or other flammable liquids or vapors.
  10. Fire pit is away from windows, air intake openings, sprinklers and other water sources.
  11. Fire pit is at least 24 in. on rear and at least 24 in. on sides from combustible materials.
  12. Fire pit is on a hard and level surface.
  13. There are no signs of spider or insect nests.
  14. All burner passages are clear.
  15. All air circulation passages are clear.
  - 16. Children and adults should be alerted to the hazards of high surface temperatures and should stay away to avoid burns or clothing ignition.**
  - 17. Young children should be carefully supervised when they are in the area of the fire pit.**
  - 18. Clothing or other protective material should not be hung from the fire pit, or placed on or near the fire pit.**
  - 19. Any guard or other protective device removed for servicing the fire pit must be replaced prior to operating the fire pit.**
  - 20. Installation and repair should be done by a qualified service person. The fire pit should be inspected before use and at least annually by a qualified service person.**
  - 21. More frequent cleaning may be required as necessary. It is imperative that control compartment, burner and circulating air passageways of the fire pit be kept clean.**

### After Operation

1. Gas control is in OFF position.
2. Gas Tank valve is OFF.
3. Disconnect regulator from propane tank.

---

## CARE AND MAINTENANCE

---

### WARNING

#### FOR YOUR SAFETY:

- Do NOT touch or move fire pit for at least 45 minutes after use.
- Reflector is hot to the touch.
- Allow reflector to cool before touching.

To enjoy years of outstanding performance from your fire pit, make sure you perform the following maintenance activities on a regular basis:

Keep exterior surfaces clean.

1. Use warm soapy water for cleaning. Never use flammable or corrosive cleaning agents.
2. While cleaning your unit, be sure to keep the area around the burner dry at all times. Do not submerge the control valve assembly. If the gas control is submerged in water, do NOT use it. It must be replaced.
  - a. Keep the appliance area clear and free from combustible materials, gasoline and other flammable vapors and liquids.
  - b. Do not obstruct the flow of combustion and ventilation air.
  - c. Keep the ventilation opening(s) of the cylinder enclosure free and clear from debris.
3. Air flow must be unobstructed. Keep controls, burner, and circulating air passageways clean. Signs of possible blockage include:

## CARE AND MAINTENANCE

- Gas odor with extreme yellow tipping of flame.
- Fire pit does NOT reach the desired temperature.
- Fire pit glow is excessively uneven.
- Fire pit makes popping noises.
- Spiders and insects can nest in burner or orifices. This dangerous condition can damage fire pit and render it unsafe for use. Clean burner holes by using a heavy-duty pipe cleaner. Compressed air may help clear away smaller particles.
- Carbon deposits may create a fire hazard.



*Note: In a salt-air environment (such as near an ocean), corrosion occurs more quickly than normal. Frequently check for corroded areas and repair them promptly.*

### TIP:

Use high-quality automobile wax to help maintain the appearance of your fire pit. Apply to exterior surfaces only. Do not apply to burner.

### Storage

Between uses:

- Turn Control Knob OFF.
- Disconnect LP source.
- Store fire pit upright in an area sheltered from direct contact with inclement weather (such as rain, sleet, hail, snow, dust and debris).
- If desired, cover fire pit to protect exterior surfaces and to help prevent build-up in air passages.

*Note: Wait until fire pit is cool before covering.*

### ***During periods of extended inactivity or when transporting:***

- Turn Control Knob OFF.
- Disconnect LP source and move to a secure, well-ventilated location outdoors.
- Store fire pit upright in an area sheltered from direct contact with inclement weather (such as rain, sleet, hail, snow, dust and debris).
- If desired, cover fire pit to protect exterior surfaces and to help prevent build-up in air passages. Never leave LP cylinder exposed to direct sunlight or excessive heat.

*Note: Wait until fire pit is cool before covering.*

### Service

Only a qualified service person should repair gas passages and associated components.

Caution: Always allow fire pit to cool before attempting service.

## TROUBLESHOOTING

---

PROBLEM	POSSIBLE CAUSE	CORRECTIVE ACTION
Burner won't light	Propane cylinder is frosted over	Wait until the propane cylinder warms up and becomes unfrosted
	Blockage in orifice	Clear blockage and striker cage of fire glass 1/4" away on all sides
	Control knob is not in ON position	Turn control knob to ON
Burner flame is low	Gas pressure is low	Turn cylinder valve OFF and replace cylinder
	Outdoor temperature is less than 40°F and tank is less than 1/4 full	Use a full cylinder
	Control knob fully ON	Check burner and orifices for blockage
Carbon build-up	Dirt or film on burner	Clean burner
Thick black smoke	Blockage in burner	Remove blockage and clean burner inside and outside