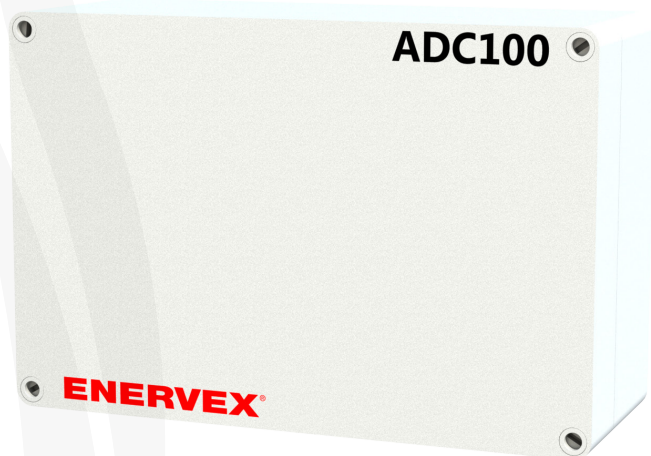


# ENERVEX ADC100 DRAFT CONTROL

3916067 05.17

Installation & Operating Manual



**READ AND SAVE THESE INSTRUCTIONS!**



ENERVEX Inc.  
1685 Bluegrass Lakes  
Parkway  
Alpharetta, GA 30004  
USA

P: 770.587.3238  
F: 770.587.4731  
T: 800.255.2923  
info@enervex.com  
www.enervex.com

**ENERVEX®**   
VENTING DESIGN SOLUTIONS



The ADC100 Fan Control is ETL Listed in the U.S. and Canada: under UL 508 Standard for Industrial Control Equipment (17th Ed.) and CSA C22.2 No. 14-05- Standard for Industrial Control Equipment.

**IMPORTANT: READ THESE INSTRUCTIONS CAREFULLY PRIOR TO INSTALLATION.**

- **EXAMINE ALL COMPONENTS FOR POSSIBLE SHIPPING DAMAGE PRIOR TO INSTALLATION.**
- **DIFFERENT MANUFACTURERS HAVE DIFFERENT JOINT SYSTEMS AND ADHESIVES. DO NOT MIX PIPE, FITTINGS, OR JOINING METHODS FROM DIFFERENT MANUFACTURERS.**

### Symbol Legend

The following terms are used throughout this manual to bring attention to the presence of potential hazards, or to important information concerning the product.



**DANGER:** Indicates an imminent hazardous situation which, if not avoided, will result in death, serious injury or substantial property damage.



**WARNING:** Indicates an imminent hazardous situation which, if not avoided, may result in personal injury or property damage.

### How to use this manual

This installation manual does not contain any system design documentation. System design documentation is available from any authorized ENERVEX representative. Accessories, fans, and variable frequency drives are not covered by this manual. Please refer to these component's individual manuals.

### TO REDUCE THE RISK OF FIRE, ELECTRICAL SHOCK OR INJURY TO PERSONS, OBSERVE THE FOLLOWING:

1. Use this unit in the manner intended by the manufacturer. If you have questions, contact the manufacturer at the address or telephone number listed on the front of the manual.
2. Before servicing or cleaning the unit, switch off at service panel and lock service panel to prevent power from being switched on accidentally.
3. Installation work and electrical wiring must be done by a qualified person(s) in accordance with applicable codes and standards.
4. Follow the appliance manufacturer's guidelines and safety standards such as those published by the National Fire Protection Association (NFPA), and the American Society for Heating, Refrigeration and Air Conditioning Engineers (ASHRAE), and the local code authorities.
5. This unit must be grounded.

## Content

### 1. PRODUCT INFORMATION

1.1 Function.....	4
1.2 Shipping .....	4
1.3 Warranty .....	4

### 2. SPECIFICATIONS AND DIMENSIONS

2.1 Dimensions and Capacities.....	5
------------------------------------	---

### 3. MECHANICAL INSTALLATION

3.1 Location.....	6
3.2 Mounting the Control Unit .....	6
3.3 Connection of the Proven Draft Switch.....	6
3.4 Installation of the Chimney Probe.....	7
3.5 Adjusting the Fan Speed and Post Purge Time .....	7

### 4. ELECTRICAL INSTALLATION

4.1 General.....	8
4.2 Connection Diagram .....	9
4.3 Wiring of a Gas Fireplace .....	10
4.4 Wiring of a Gas Fireplace With a Damper .....	11
4.5 Wiring of 3-Phase Fan.....	12

### 5. STARTUP AND CONFIGURATION

5.1 General.....	13
5.2 Sequence of Operation .....	14
5.3 Operating Pressure .....	15

### 6. MAINTENANCE AND TROUBLESHOOTING

---

## 1. PRODUCT INFORMATION

### 1.1 FUNCTION

The ENERVEX ADC100 Draft Control is a fan speed and appliance control used to control draft for a gas appliance such as a fireplace, stove or furnace. It may be interlocked with the appliance and is for use in systems where modulation is not required. It controls the speed of a fan to maintain proper draft and pressure in a chimney system. The ADC100 is for use with ENERVEX model RS or GSV fans and is a component in the residential EcoDamper.

The ADC100 control comes with the PDS1.

The PDS is a required safety function used to ensure a negative pressure is maintained in the chimney. It also prevents appliance operation during an electrical or mechanical failure in the system.

The ADC100 can operate the chimney fan in manual or automatic mode. Manual mode allows the user to adjust the speed of the fan at any time using the potentiometer on the board. In Automatic Mode, the ADC100 will ignore the potentiometer and ramp the fan up until the PDS closes. If the PDS opens, the control will ramp up the fan until there is enough draft to re-close the switch.

The ADC100 can be interlocked with up to two appliances. Connections are made at the Auxiliary In and Auxiliary Out terminals. A 24VDC out connection is available. When an appliance is interlocked to the control, a post-purge function becomes available. The post purge keeps the fan running for a set time after the last appliance shuts down to evacuate any remaining flue gases. The post purge time on the ADC100 is adjustable from 0-3 minutes via a potentiometer on the control board.

The damper relay allows a damper actuator to be interlocked directly to the control. The control ensures that the damper is open before releasing the appliance for operation. If at any point the control has sensed total failure, the ADC100 will go into an alarm for 30 seconds and will attempt a retry. In the event of a mechanical or electrical failure, the damper fails to the closed position.

The housing is NEMA 1 rated ABS plastic.

System installation must conform to the requirements of the authority having jurisdiction. When required by the authority having jurisdiction, the installation must also conform to the NFPA31, NFPA54 or NFPA211.

All electrical wiring must be in accordance with the requirements of the authority having jurisdiction or, in absence of such requirements, with the National Electric Code, NFPA 70.

### 1.2 SHIPPING

ADC100 includes the control unit, PDS1, stack probe and silicone tubing.

\* If other components are shipped, they will appear as separate items on the packing list.

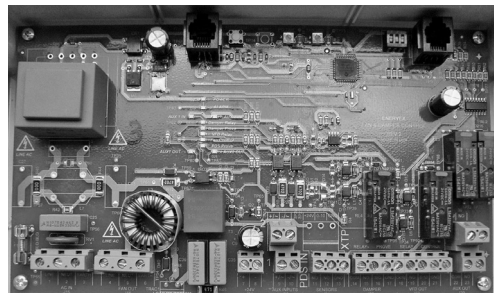
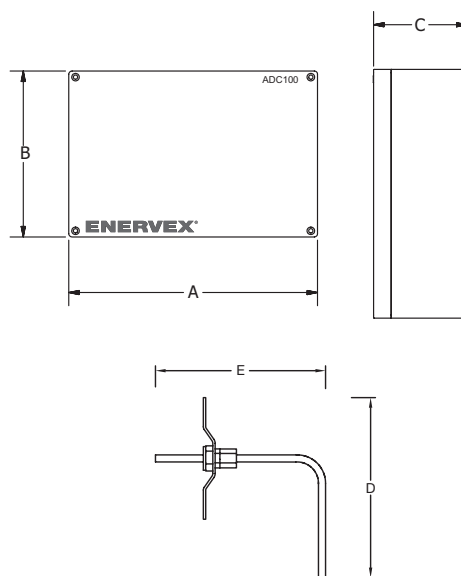
### 1.3 WARRANTY

2-Year Factory Warranty. Complete warranty conditions are available from ENERVEX, Inc.

## 2. SPECIFICATIONS

### 2.1 DIMENSIONS AND CAPACITIES

<b>ADC100 Control</b>		
Power supply	V	1x120VAC
Amperage	A	7.0
Operating temperature	°F/°C	-4 to 122 / -20 to 50
Control signal	mA	max. 10
Control relay		Max. 120 VAC / 8A
Output	VAC	10-120
	VDC	0-10
Post Purge Time		0-3 Minutes
Alarm Delay Time		15 Seconds
Dimensions	A in/mm	9.6 / 244
	B in/mm	6.3 / 160
	C in/mm	3.5 / 90
Weight	lbs/kg	2.6 / 1.2
<b>Chimney Probe</b>		
Dimensions	D in/mm	4.25 / 108
	E in/mm	3.50 / 89



ADC100

### 3. MECHANICAL INSTALLATION

#### 3.1 LOCATION

The ADC100 Control Unit must be installed indoors. As shown in Fig. 1, the control will be wired directly to a 120/1/60 VAC power supply. The control will also be connected to the fan, appliance and damper (if used). For detailed wiring information, see Chapter 4.

#### 3.2 MOUNTING THE CONTROL UNIT

The ADC100 control may be mounted directly to a wall. To mount, remove the cover and locate the (4) mounting holes. Using the hole-pattern shown below, mount the control using #6 screws. See Fig. 2, Once it is attached, wire the unit in accordance with Chapter 4.

#### 3.3 CONNECTION OF THE PROVEN DRAFT SWITCH AND STACK PROBE

The Proven Draft Switch (PDS) must be installed indoors, in the vertical position (pre-drilled knockouts face down). Mount the control upright to a wall or other flat surface. DO NOT lay the control down or mount horizontally.

A Proven Draft Switch (PDS) must be used with the ADC100 control as a system safety device. The PDS monitors the pressure inside the stack and signals the control to shut down the appliance if insufficient draft exists. A stack probe senses the pressure read by the PDS and is connected via silicone tubing.

The silicone tubing supplied with the PDS should be connected to the NEGATIVE (-) port of the PDS. This is the bottom port on the switch. See Fig. 3. The standard tube length is 6 feet. The distance can be extended up to 25 feet by using 1/4" rigid plastic or copper tubing as temperature allows (not supplied).

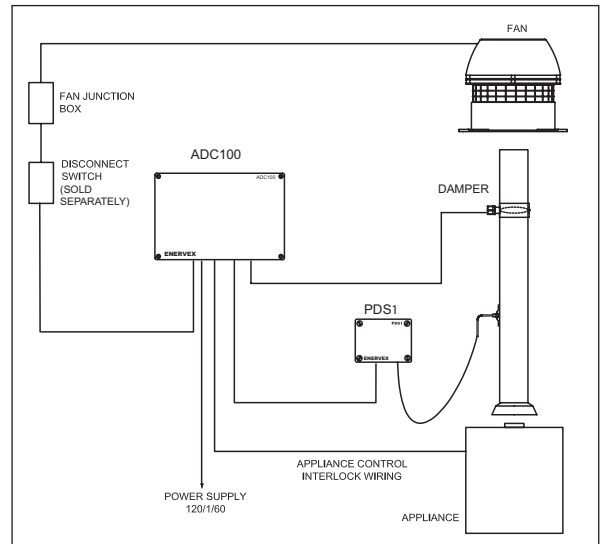


Fig. 1

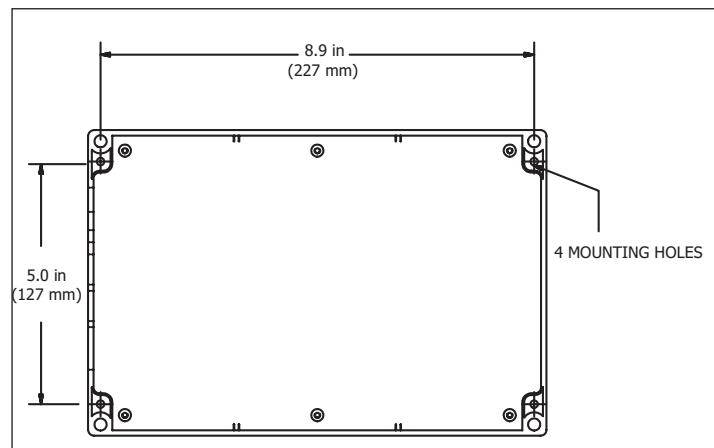


Fig. 2

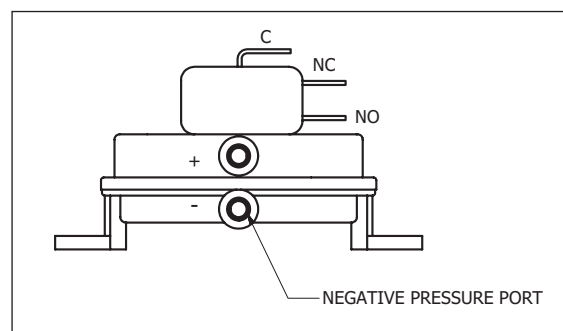


Fig. 3

### 3.4 INSTALLATION OF THE CHIMNEY PROBE

The probe must be installed between the appliance and the exhaust fan. If a damper is used in the system, the probe should be installed between the appliance and damper.

Locate the probe at least a distance three (3) vent diameters away from any elbow, tee or damper. For fireplace installations, the probe should be installed close to the fan inlet. See Fig. 4.

To produce an accurate pressure reading, the probe should be installed flush with the inner wall of the chimney or stack. If double walled stack is used, the probe should be flush with the inner most wall.

### 3.5 ADJUSTING THE FAN SPEED AND POST PURGE TIME

There are two potentiometers located on the main control board of the ADC100. To increase the fan speed, rotate the potentiometer labeled Fan Spd clockwise. Alternately, rotating the potentiometer counterclockwise will decrease the fan speed. In Manual mode, the potentiometer can be adjusted at any time during normal operation to increase or decrease the fan speed. When the control is in Automatic mode, the potentiometer is only used to set the initial speed of the fan. After that, the control will automatically adjust the fan speed to ensure the PDS stays closed during appliance operation.

A second potentiometer, labeled PG Time, is located on the top right corner of the control board. The post purge time is adjustable from 0 (no post purge) to 3 minutes. Turning the knob clockwise increases the post purge time while turning it counter-clockwise decreases the time.

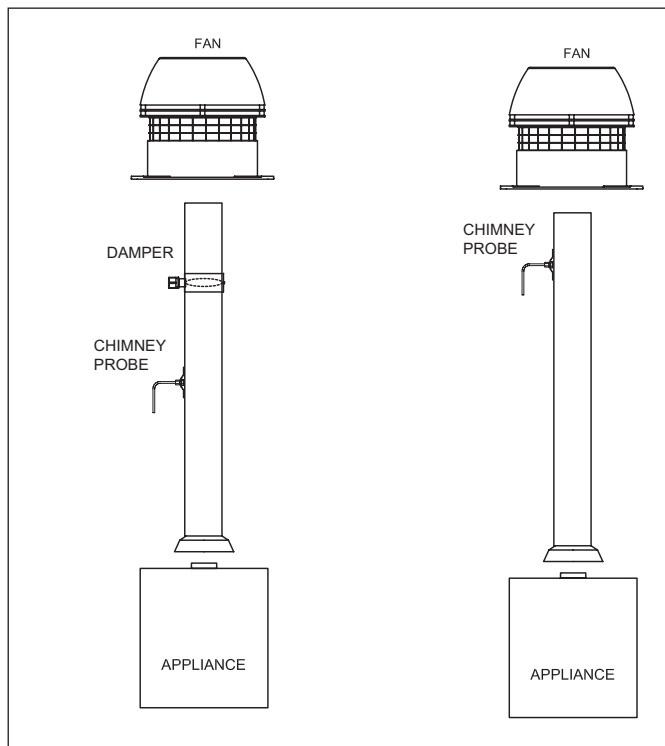


Fig. 4

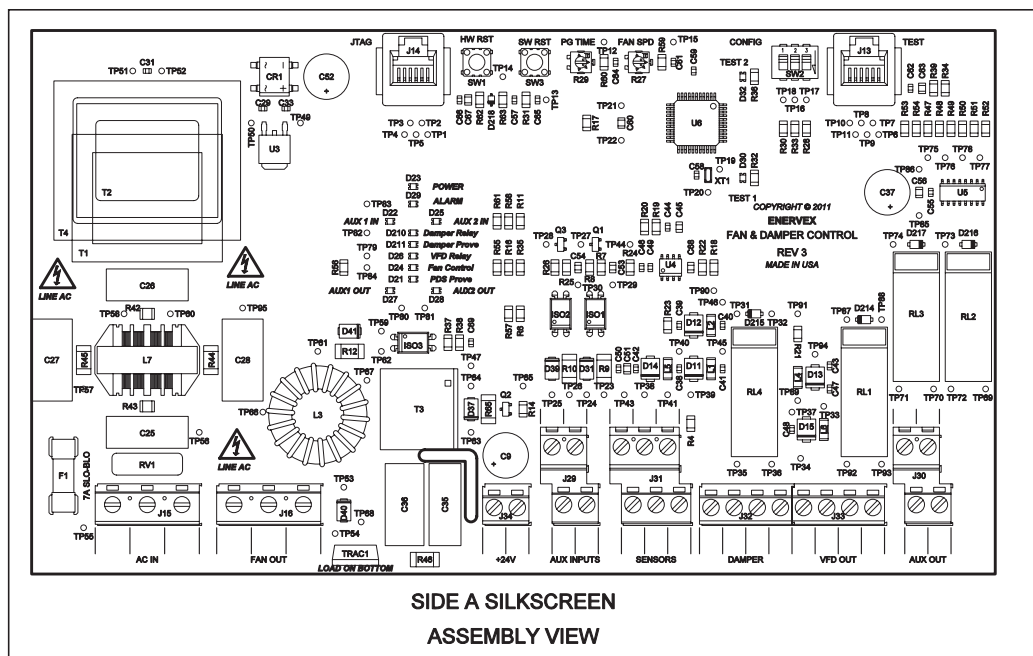



Fig. 5


## 4. ELECTRICAL INSTALLATION

### 4.1 GENERAL

**DANGER**



Turn off electrical power before servicing. Contact with live electric components can cause shock or death.



ADC100 is designed for 1x120VAC power supply only.

The designations for each terminal on the control board are shown below. Note that some installations may not require the use of all terminals. Also shown in this section is a general connection diagram for an ADC100 control system.

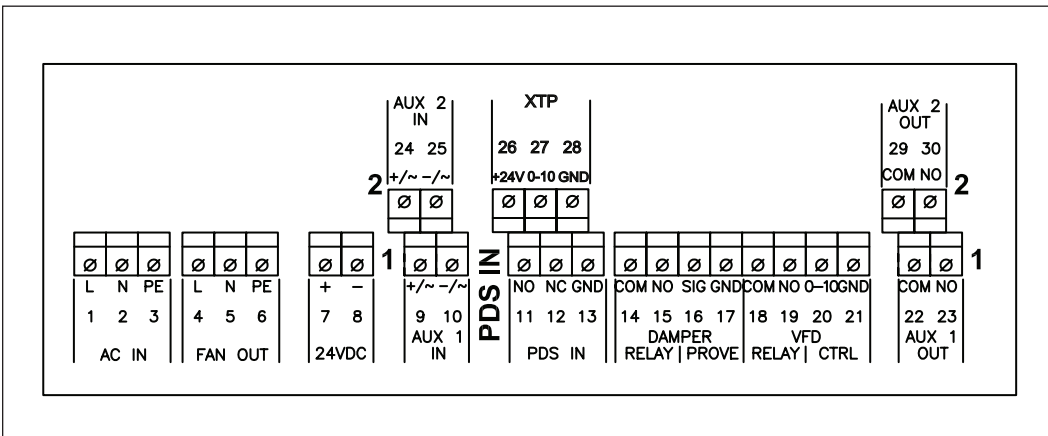


Fig. 6

Terminal	Use	Terminal	Use
1	Power Supply - L1	14-15	Damper Relay
2	Power Supply - N	16-17	Damper Prove
3	Power Supply - Ground	18-19	VFD Relay
4	Chimney Fan- L1	20	0-10 VDC Output
5	Chimney/Exhaust Fan - N (regulating)	21	0 VDC Output (Gnd)
6	Chimney/Exhaust Fan- Ground	22-23	Auxiliary Appliance Output 1 (Max Amperage 250 VAC 8 A)
7	+ 24 VDC Out	24-25	Auxiliary Appliance Input 2 (10-240 VAC or 5-30 VDC)
8	Ground (-24 VDC) Out	26	XTP- +24 VDC Out - Not Applicable
9-10	Auxiliary Appliance Input 1 (10-240 VAC or 5-30 VDC)	27	XTP In (0-10 VDC) - Not Applicable
11	PDS- Normally Open	28	XTP In (0 VDC) - Not Applicable Max Amperage 250 VAC 8 A)
12	PDS- Normally Closed		
13	PDS- Common		



### 4.2 CONNECTION DIAGRAM

The connection diagram shown in Fig. 7 below shows typical connections for a single phase fan. If a 3-phase fan is used, a VFD must be connected between the fan and control.

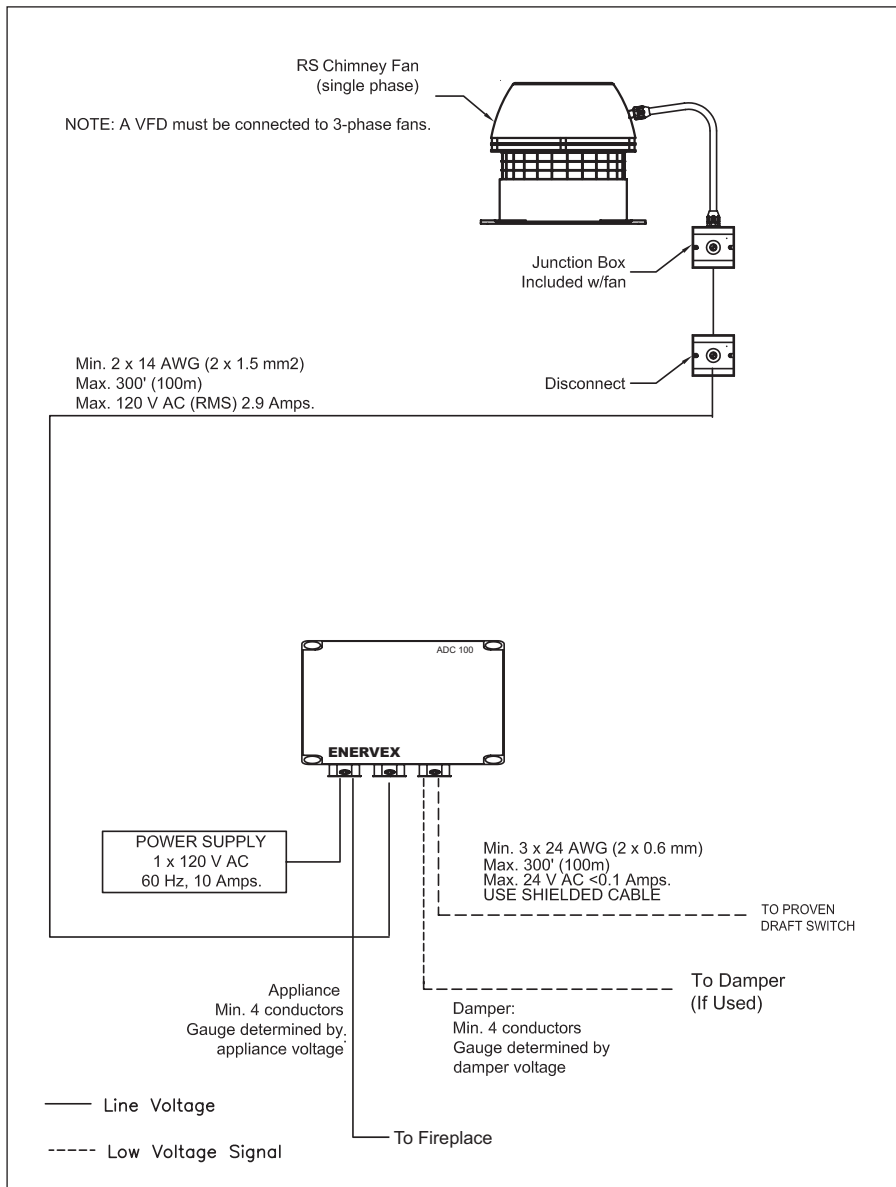


Fig. 7

### 4.3 WIRING OF A GAS FIREPLACE

To interlock the ADC100 with a gas fireplace as shown in Fig. 8, connect the Auxiliary In terminals 9 and 10 on the control board to a wall switch. Either by using line voltage or use board voltage from terminals 7 and 8 as depicted in figure 8. Connect the gas valve or ignition to Auxiliary Out at terminals 22 and 23. The Auxiliary Out is a normally open dry contact that closes when the PDS closes and releases the fireplace for operation. The Auxiliary In terminals are rated for maximum 250/125 VAC/VDC. Place a jumper between terminals 16 and 17 if the damper is not used.

NOTE: See Fig. 10 in Section 4.5 for connection of 3-phase fan with VFD.

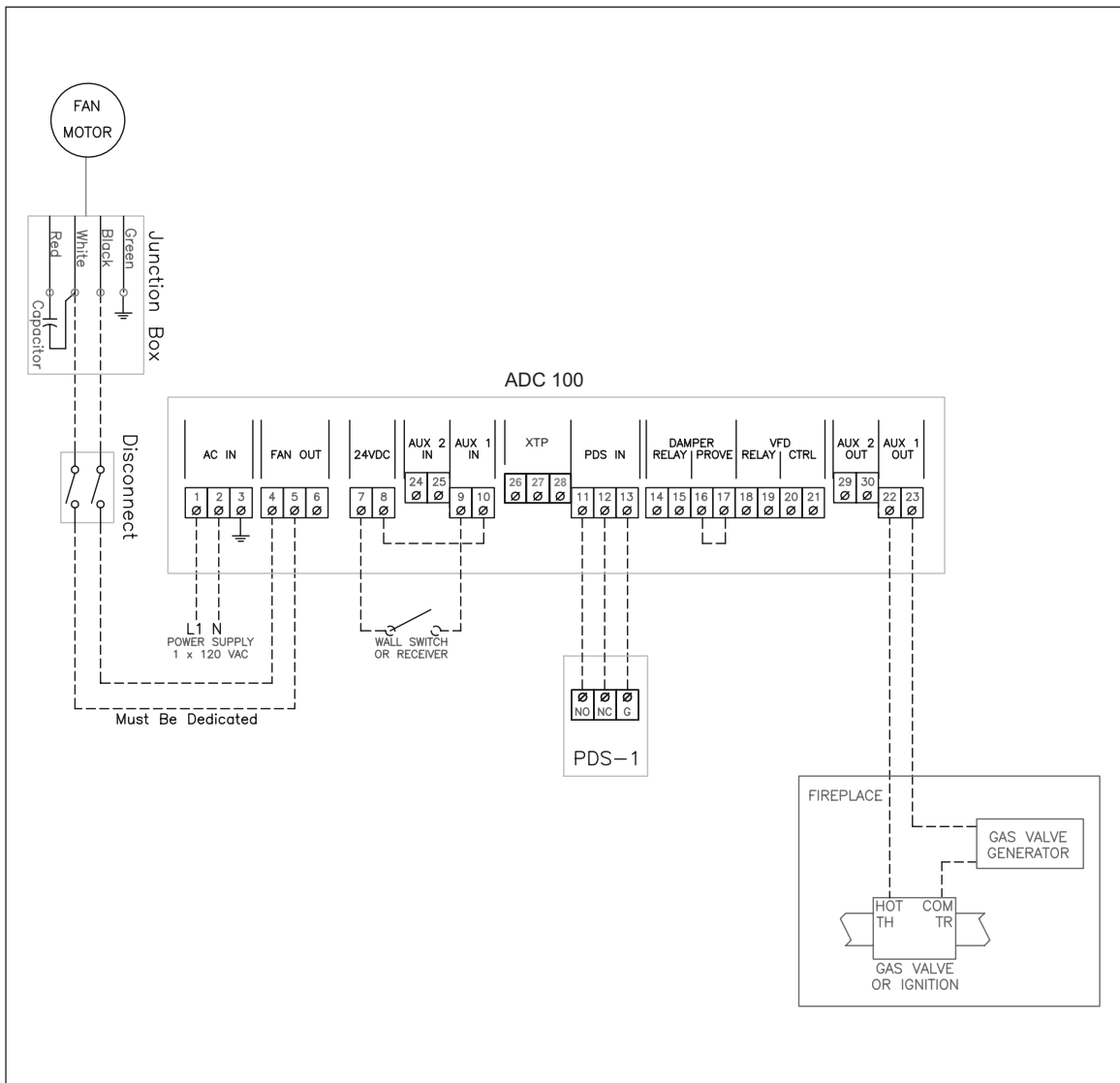


Fig. 8

### 4.4 WIRING OF A GAS FIREPLACE WITH A DAMPER

To interlock the ADC100 with a gas fireplace as shown in Fig. 9, connect the Auxiliary In terminals 9 and 10 on the control board to a wall switch. Either by using line voltage or use board voltage from terminals 7 and 8 as depicted in Fig. 8. Connect the gas valve or ignition to Auxiliary Out at terminals 22 and 23. The Auxiliary Out is a normally open dry contact that closes when the PDS closes and releases the fireplace for operation. The Auxiliary In terminals are rated for maximum 250/125 VAC/VDC.

NOTE: IF AN ELECTRONIC IGNITION CONTROL IS USED WITH THE FIREPLACE, DO NOT INTERLOCK IT WITH DAMPER ACTUATOR. DAMPER ACTUATOR SHOULD INTERLOCK WITH THE ADC100 CONTROL ONLY.

To interlock the damper to the control, connect the actuator to terminals 14 and 15 as shown in Fig. 9. The actuator must include an endswitch to enable the damper prove function. The damper prove function is a dry contact that closes when the damper proves open. Connect the Common and Normally Open terminals of the actuator endswitch to terminals 16 and 17 on the board.

NOTE: See Fig. 10 in Section 4.5 for connection of 3-phase fan with VFD.

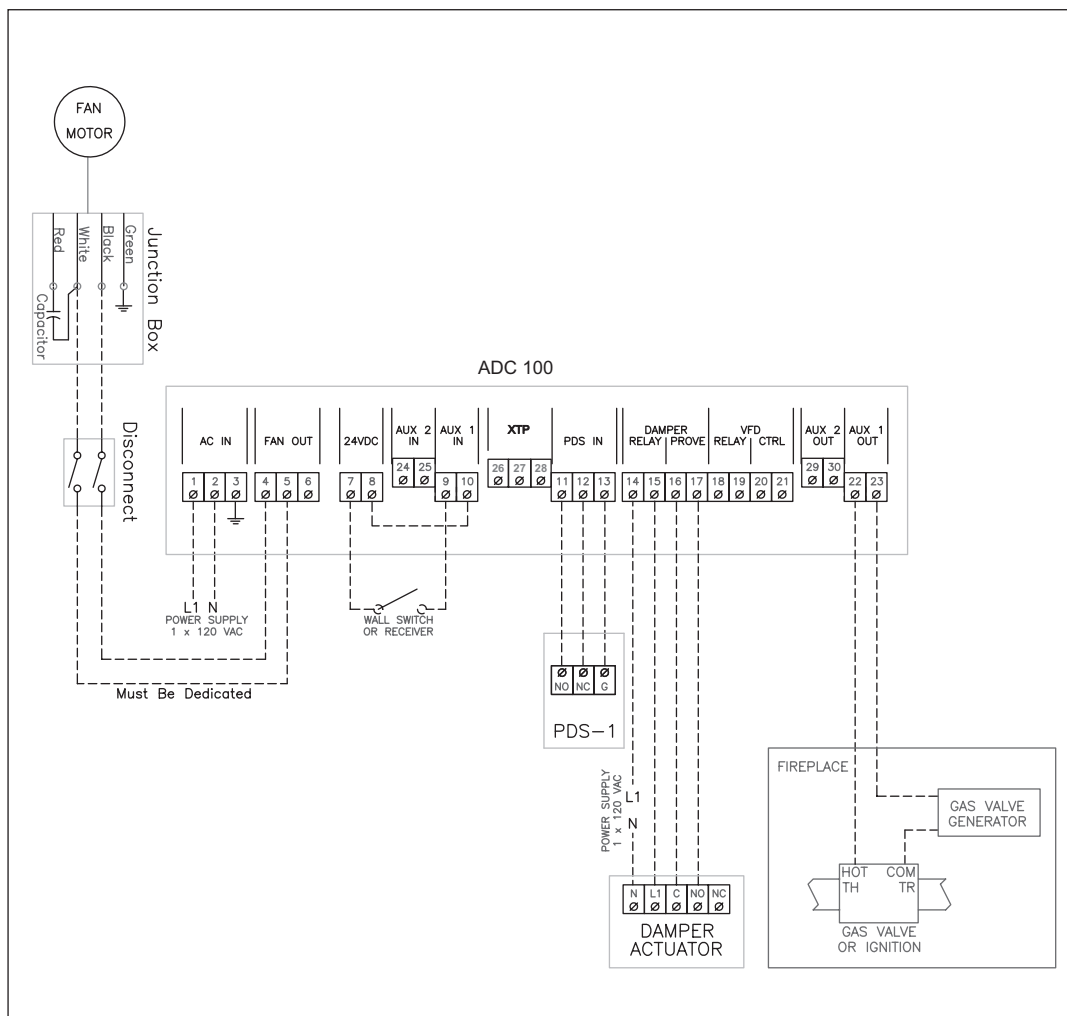


Fig. 9

### 4.5 WIRING A 3-PHASE FAN

Connect a 3-phase fan to the control system via a variable frequency drive (VFD). The VFD receives external 3-phase power (208-230 or 400-480 VAC). A 0-10 VDC signal from the ADC100 is converted to a 0-60 Hz signal from the VFD to modulate the fan speed. Any appliance(s) or damper should be connected as shown in Fig 8 and 9.

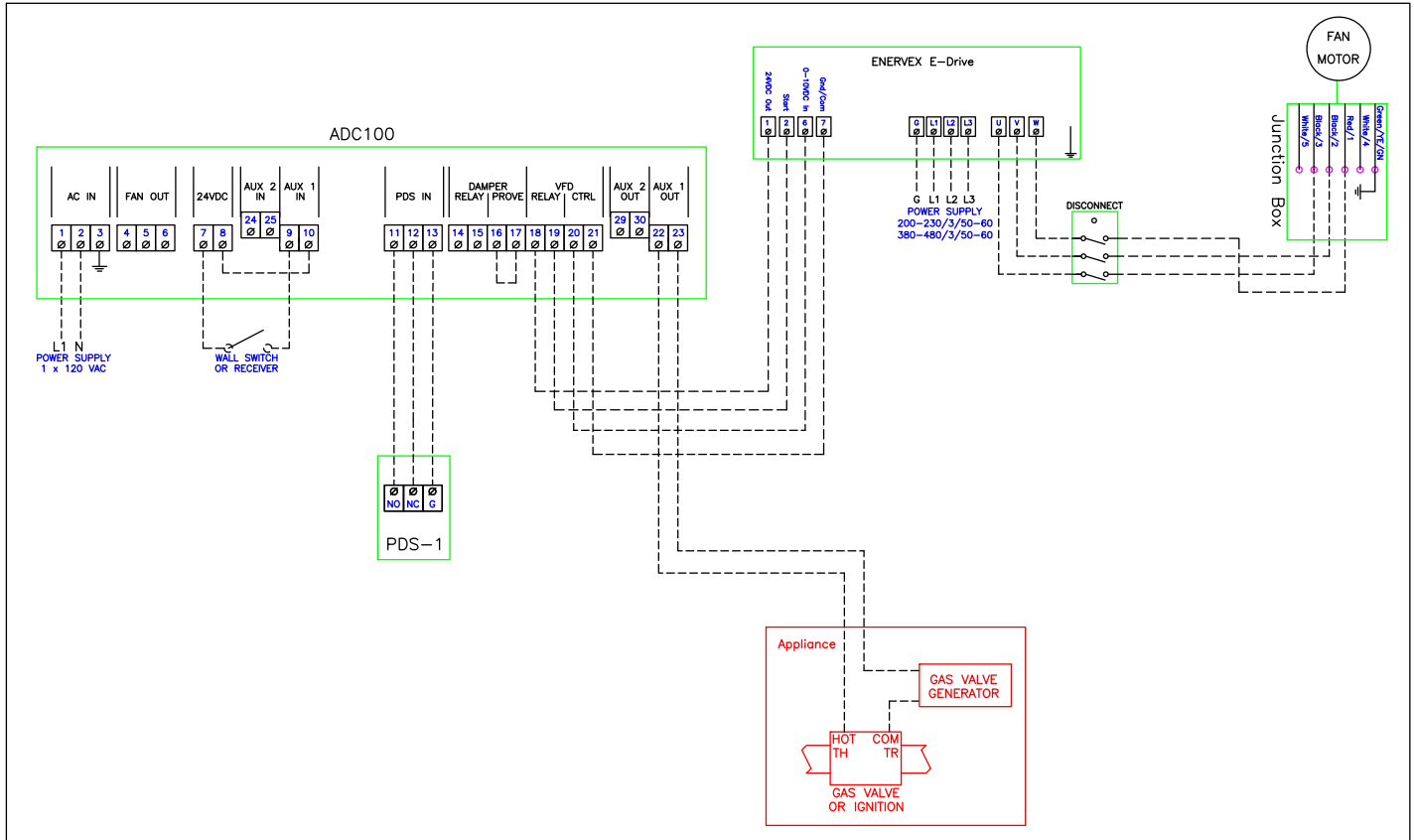


Fig. 10

## 5. STARTUP AND CONFIGURATION

### 5.1 GENERAL

Dip switches are located on the control board to allow the user to specify certain functions of the ADC100. Verify settings using the table below.

DIP SWITCH	NAME	OFF	ON	DEFAULT POSITION
<b>1 (Left)</b>	MANUAL RESET	Automatic reset at power failure or insufficient draft	Manual reset at power failure or insufficient draft	OFF
<b>2 (Center)</b>	MANUAL ADJ	Automatic Mode-control speeds up fan if PDS opens during operation	Manually adjust fan speed using potentiometer	OFF
<b>3 (Right)</b>	PDS CHECK*	No monitoring to see if the PDS was in NC position prior to start	The PDS must be in NC position prior to start	ON

NOTE: Do NOT turn PDS check off unless requested by the factory technical support.

## 5.2 SEQUENCE OF OPERATION

The sequence of operation flow chart is shown in Figure 11 below.

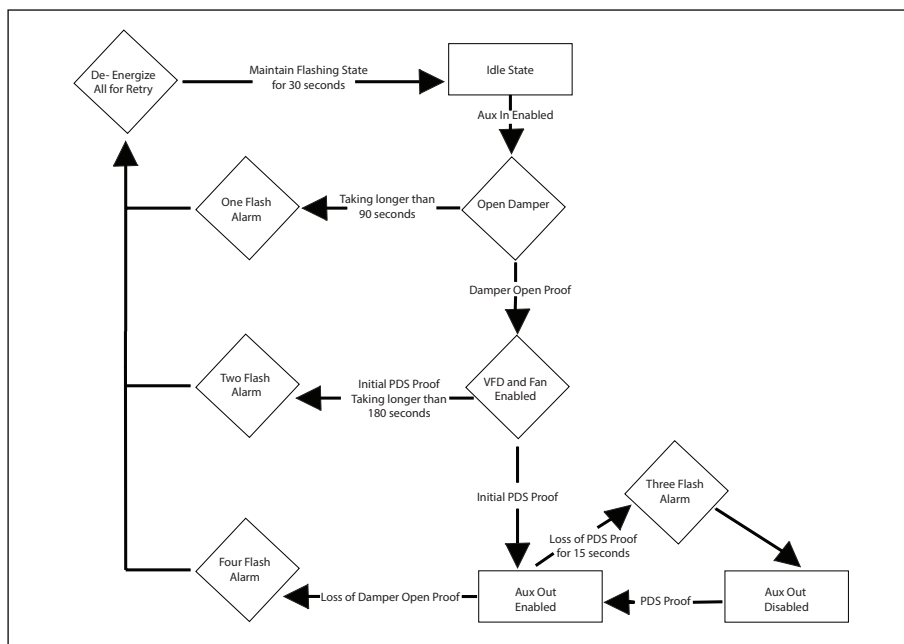


Fig. 11

### Alarm Stages

Flashes 1 - if damperprove does not close 90 seconds after auxin, go into alarm for 30 seconds, followed by a full retry

Flashes 2 - if initial pdsprove does not close 180 seconds after damperprove, go into alarm for 30 seconds, followed by a full retry

Flashes 3 - if pds loses proof for 15 seconds after initial pdsprove, auxouts de-energize, stay in alarm until pdsprove returns and auxout will re-energize

Flashes 4 - if at any point after auxout proves the damperprove is removed, the board immediately goes into alarm for 30 seconds, followed by a full retry

Flashes 5 - \*must have sw3 on\* if pds is proved prior to auxin, board will go into alarm and no further states can be achieved until proof is removed

### Start Sequence

1. A call for heat from the appliance energizes the ADC100 inputs at terminals 9 and 10.
2. If a damper is connected, it begins to open. Once open, the damper prove contact closes (Terminals 16 and 17).
3. The ADC100 begins to ramp up the fan.
4. The Proven Draft Switch closes when adequate draft is achieved and ADC100 adjusts fan to speed setting on the potentiometer.
5. The ADC100 control releases the appliance for operation by closing dry contact between terminals 22 and 23 (and terminals 29 and 30).

### Operating Sequence

Manual Mode:

1. Fan runs at a constant speed and can be adjusted during normal operation using the potentiometer.
2. If the Proven Draft Switch opens, a 15 second timing cycle starts.
3. If the Proven Draft Switch has not been made within 15 seconds, the auxiliary out contact opens and an alarm condition exists.
4. If the Proven Draft Switch closes, the control automatically resumes normal operation at set speed.

Automatic Mode:

1. Fan runs at speed setting of the potentiometer but cannot be adjusted using the potentiometer during operation.
2. If the Proven Draft Switch opens, the fan begins to ramp up.
3. If PDS closes, fan speed remains at that speed.
4. If the PDS has not closed by the time the fan has ramped up to 100% speed, a 10 second timing cycle begins.
5. If PDS does not close within 15 seconds the auxiliary out contact opens and an alarm condition exists.
6. If the Proven Draft Switch closes while the control is in alarm, the fan will resume the original speed setting.

### Shutdown Sequence

1. The call for heat signal from the appliance is turned off.
2. Fan output continues at pre-set speed for the set post purge time (0-3 minutes).
3. Fan output is set to zero.

---

### 5.3 OPERATING PRESSURE

The operating pressure of the ADC100 Control is determined by the PDS switch. The PDS-1 used with the ADC100 has a pressure setting of 0.05" W.C. +/- 0.03" W.C. As long as the pressure is within this range, the fireplace and/or appliance will continue to operate. Should the pressure fall outside of this range, it may be necessary to adjust the fan speed. The user may use a manometer or other device to read the pressure inside the stack.

For fireplaces, a standard smoke/ flame test should be performed before normal operation (specified in appliance manual). This test will determine if the fan is running at the correct speed.

## 6. MAINTENANCE AND TROUBLESHOOTING

Observation	Problem	Solution
Heating appliance/fireplace cycle on and off	Potentiometer setting is too low	Turn potentiometer clockwise to increase fan speed
Fan is 'hunting' (increasing speed and then decreasing speed constantly)	Fan speed control is set too low	Increase potentiometer setting
	Draft in chimney fluctuates	Move Stack Probe closer to fan
Fan will not come on	ADC100 is not wired correctly	Check wiring and correct
	There may be sufficient natural draft	If the PDS is closed when the start signal is applied, sufficient natural draft exists for the fan to run. The ADC100 can run the fan even during these conditions if dipswitch #1 is set to the ON position to initialize a PDS check during the start up sequence.
	Fan is not working	Check the fan and if necessary, repair or replace. Verify all wiring to fan and control is correct and control is receiving external power.
Heating appliance or fireplace will not come on	Fan is not working No power to the ADC100	Check the fan and if necessary, repair or replace. Verify all wiring to fan and control is correct and control is receiving external power
	Proven draft switch is not properly connected to the chimney	Make sure the probe is properly inserted into the stack, so the tip of the probe is flush with the inside of the chimney
	PDS is not working	Replace relay or switch
Heating appliance/fireplace will not shut off	ADC100 is not wired correctly	Check wiring and correct.