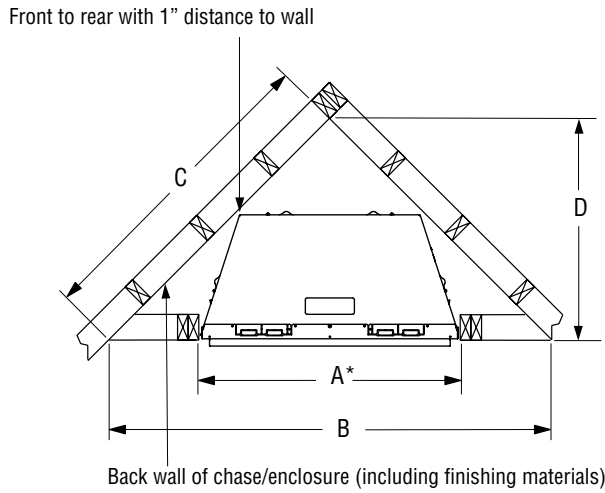


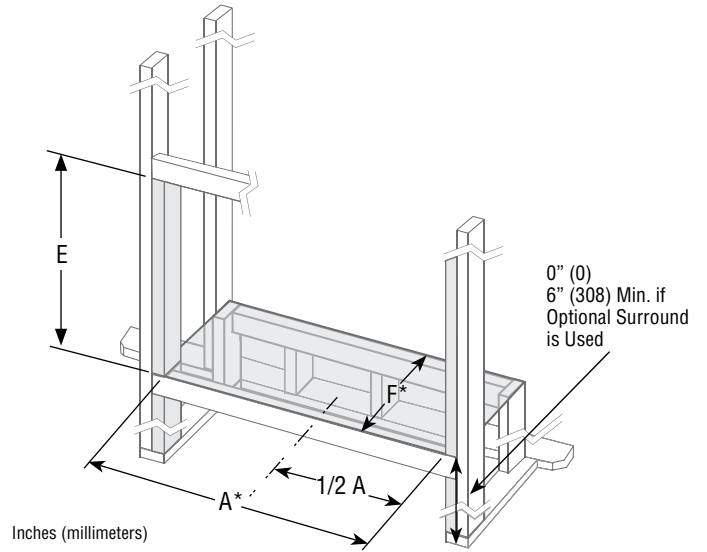
# VRL3000 SERIES

Framing construction to be 2 x 4 or larger

Standard Framing Dimensions



**Corner**

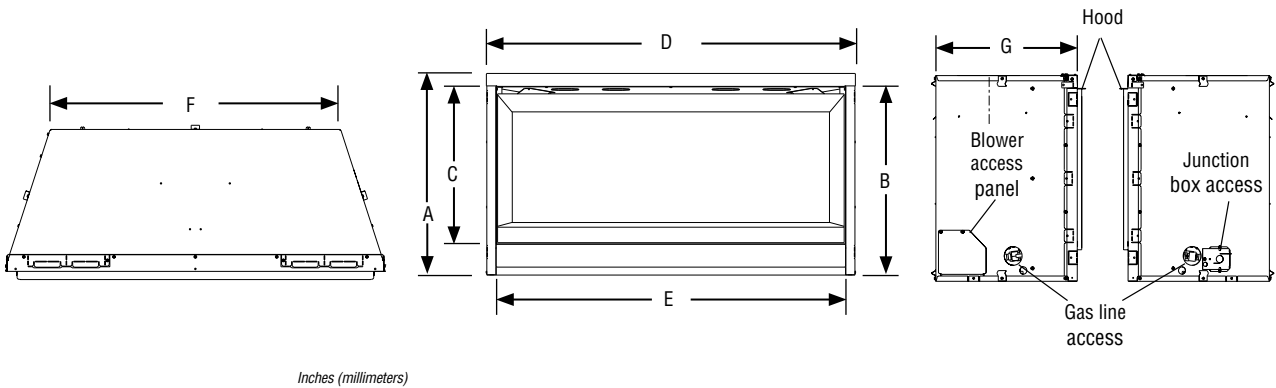


**Standard**

Model	A *	B	C	D	E	F*
45" Models	45-7/8 (1165)	70-3/8 (1788)	49-3/4 (1264)	35-1/4 (895)	29 (737)	18 (458)
55" Models	55-7/8 (1420)	82-3/4 (2102)	58-1/2 (1486)	41-3/8 (1051)	29 (737)	18 (458)

A\* Minimum opening size: additional 1/8" per side is recommended.  
F\* For flush framing installations.  
**NOTE: If flush framing unit, field supplied non-combustible board will need to be used.**

Fireplace Dimensions



**Top View**

**Front View**

**Left Side View**

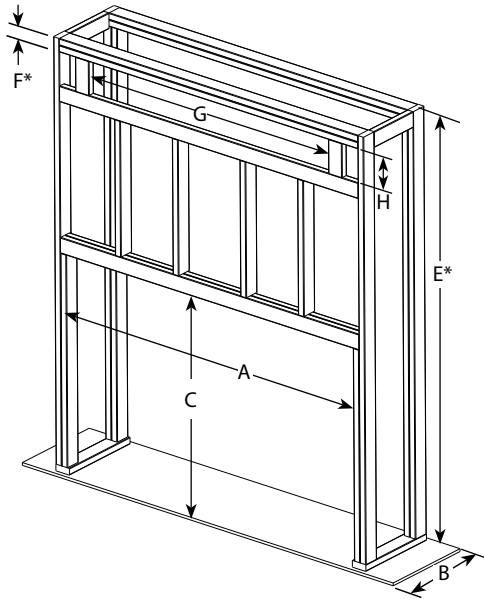
**Right Side View**

Model	A	B	C	D	E	F	G
45" Models	24-3/4 (629)	23-1/4 (591)	19-3/8 (492)	45-1/2 (1156)	42-7/8 (1089)	34-3/4 (883)	17 (432)
55" Models	24-3/4 (629)	23-1/4 (591)	19-3/8 (492)	55-1/2 (1410)	52-7/8 (1344)	44-3/4 (1137)	17 (432)

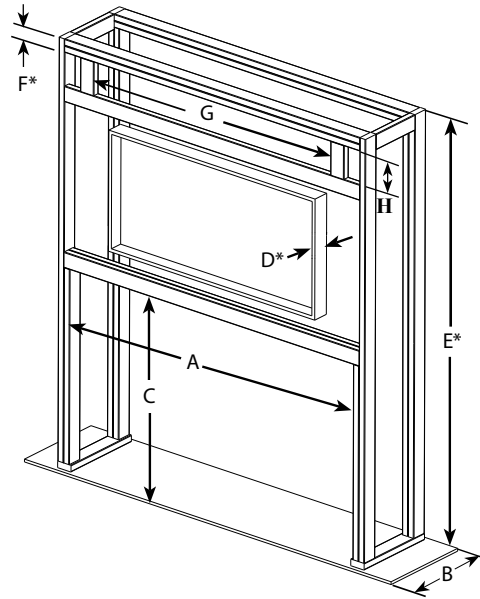
NOTE: DIAGRAMS & ILLUSTRATIONS ARE NOT TO SCALE.

# VRL3000 SERIES

HeatFlo Framing Dimensions



with HeatFlo Kit  
for Flush Wall



with HeatFlo Kit  
for Recessed Wall Pocket

## Framing Dimensions - Inches (millimeters)

	A	B	C	D*	E*	F*	G	H
<b>45" Models</b>	45-7/8 (1165)	18 (458)	29 (737)	3-1/2 (89)	81-1/2 (2070)	3-1/2 (89)	43-1/2 (1105)	5-1/8 (130)
<b>55" Models</b>	55-7/8 (1420)	18 (458)	29 (737)	3-1/2 (89)	81-1/2 (2070)	3-1/2 (89)	53-1/2 (1359)	5-1/8 (130)

D\* Maximum allowable depth  
E\* Minimum height from appliance base to ceiling

F\* Minimum distance from framed opening to ceiling

**NOTE:** Unit must be installed a minimum of 6" off floor if the optional surround is to be installed.

**TVs should not be used in situations where the actual TV temperature exceeds the manufacturer's technical specification. Contact the TV manufacturer directly if you cannot locate this information or have questions regarding this information.**

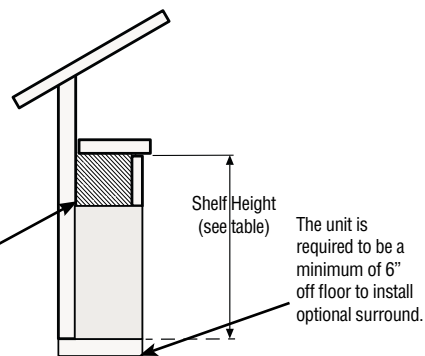
Shelf Height

Model	
45" Models	33"
55" Models	33"

### CLEARANCES TO COMBUSTIBLES MUST BE MAINTAINED:

No combustible materials or insulation is permitted in the shaded area between the appliance and the shelf above it.

**⚠ WARNING: CRITICAL INSTALLATION INFORMATION THAT IF NOT FOLLOWED CAN RESULT IN A SAFETY HAZARD!**



NOTE: DIAGRAMS & ILLUSTRATIONS ARE NOT TO SCALE.

# VRL3000 SERIES

Product Information

Listing Information

Fireplace Reference Information			
Model	Description	Shipping Wt.	Shipping Vol.
VRL3045ZEN	45° Linear VF, Lights, Elec NG	150 lb.	11.9 cu. ft.
VRL3045ZEP	45° Linear VF, Lights, Elec LP	150 lb.	11.9 cu. ft.
VRL3055ZEN	55° Linear VF, Lights, Elec NG	170 lb.	14.8 cu. ft.
VRL3055ZEP	55° Linear VF, Lights, Elec NG	170 lb.	14.8 cu. ft.



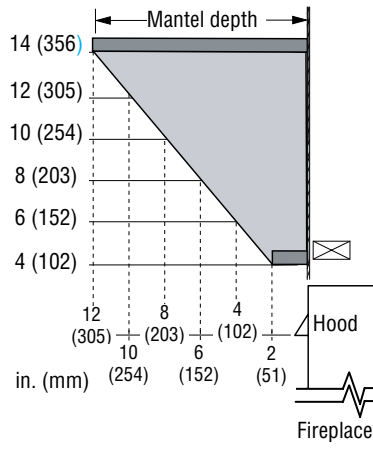
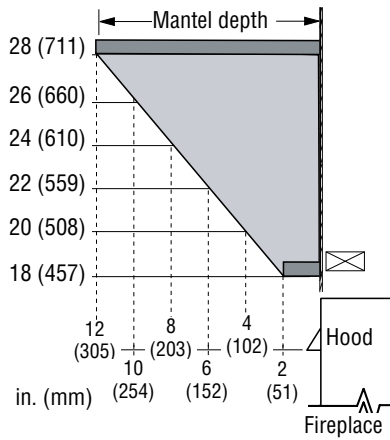
Report No. F21-664

Listed by PFS TECO to - ANSI Z21.11.2 as an unvented room heater.

## Mantel Clearances

VRL3000 Series, Standard Installation

VRL3000 Series w/Accessory HeatFlo Kit Installed



Clearances

## Side Wall Clearances

