

INSTALLATION INSTRUCTIONS FOR HEATFLO™ KITS

[FOR USE WITH ASTRIA ALLUME & ALLUME DLX SERIES, AND SUPERIOR DRL4000 & DRL6000 SERIES FIREPLACES LISTED IN TABLE 1]

KIT CONTENTS

- 1 ea. Heat Register
- 1 ea. HeatFlo Register Trim
- 4 ea. 5" Flex Pipe (stretches up to 60" in length)
- 8 ea. Gear Clamp
- 4 ea. HeatFlo Collar
- 2 ea. Plenum Bracket
- 32 ea. Self Tapping Screws
- 1 ea. Instruction Sheet

TOOLS NEEDED (NOT SUPPLIED)

- Electric Drill/Driver Gun
- Phillips Screwdriver Bits
- 5/16 Nut Driver
- 3/8 Nut Driver
- Wood Screws

HEATFLO KITS			
Fireplace	Cat. No.	Model	Description
60"	F3780	HTFLO-LIN60	Kit, HeatFlo Linear 60
72"	F4408	HTFLO-LIN72	Kit, HeatFlo Linear 72
84"	F4409	HTFLO-LIN84	Kit, HeatFlo Linear 84

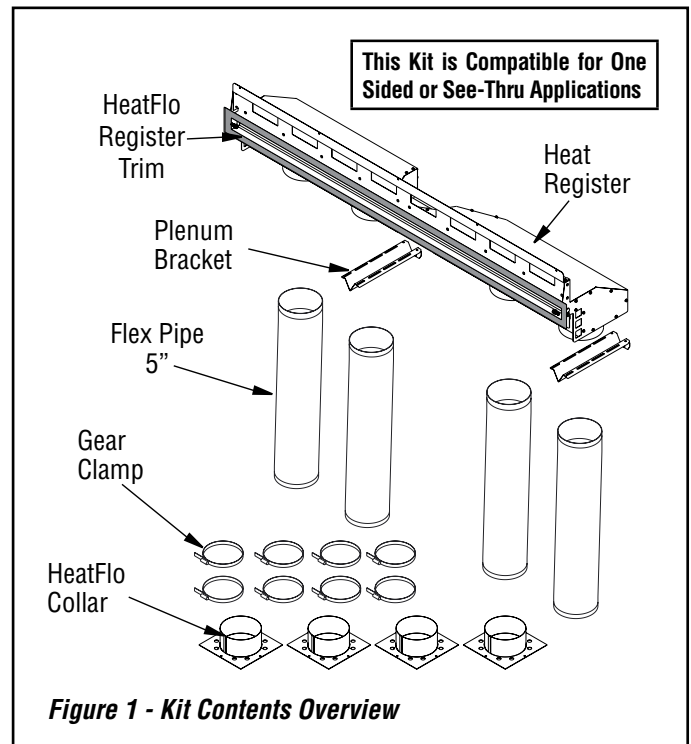
GENERAL INFORMATION

The HeatFlo™ system is designed to redirect the convective heat of the fireplace from the front of the unit, above the glass, to a location higher on the wall. The use of this kit allows for TV installations closer to the fireplace or in recessed wall cavities above the fireplace (see **Tables 1 and 2, Page 2**).

When Installing this kit, reference the framing dimensions and follow the framing instructions shown on the fireplace installation Instructions. Follow all other installation requirements for the fireplace as detailed in the installation manual.

REFER TO INSTALLATION INSTRUCTIONS AND CARE AND OPERATIONS MANUAL (IICO) FOR FRAMING DETAILS BEFORE INSTALLING THIS KIT.

ALL WARNINGS AND PRECAUTIONS IN THE INSTALLATION AND OPERATION MANUAL PROVIDED WITH THE FIREPLACE APPLY TO THESE INSTRUCTIONS.



INSTALLER: Leave this manual with the appliance
CONSUMER: Retain this manual for future reference

! WARNING

This kit must be installed by a qualified installer, service agency, or gas supplier at the time of the fireplace installation. These instructions must be used in conjunction with the installation and operation manual provided with the fireplace.

! WARNING

These instructions only apply to fireplaces that require IHP 6/9 DV-Lock venting.

IMPORTANT NOTICE

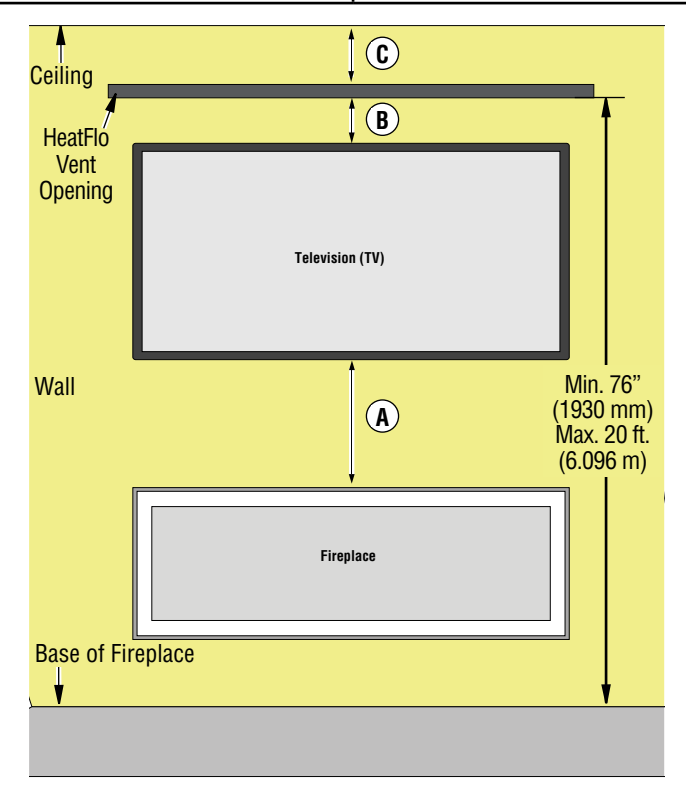
Most television manufacturers instruct the homeowner to not place the television above a heat source. Doing so may negatively affect the longevity of the television and may negate the warranty. If you do place a television above the fireplace, please be aware of the large amount of heat generated by the fireplace and consider placing the television above the fireplace at 12" minimum on a flush wall and at 18" for a recessed installation, to reduce the amount of heat that reaches the television. The homeowner must understand that IHP does not take responsibility for any negative impact to televisions placed near this fireplace.

⚠️ WARNING

Ensure clearances to combustibles are maintained when building a mantel or shelves above the fireplace. Elevated temperatures on the wall or in the air above the fireplace can cause melting, discoloration or damage to decorations, a television (TV) or other electronic components.

Table 1 - Minimum Dimensions for Television (TV) Installed Above Fireplace (Flush Wall)

(A) TV Above fireplace Opening	12" (305 mm)
(B) TV Below Vent Opening	3" (77 mm)
(C) Vent Opening Below Ceiling	6" (153 mm)



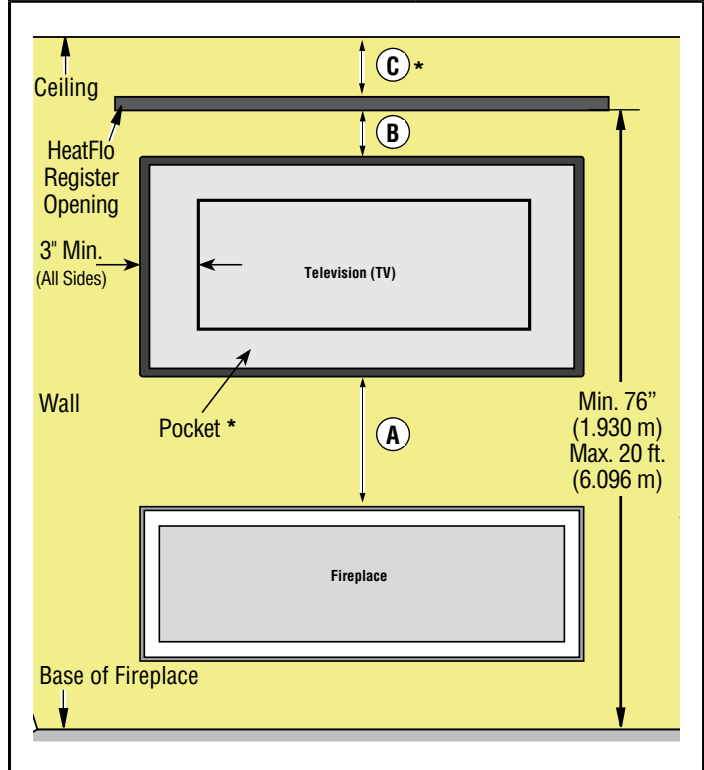
See Tables 1 and 2 for TVs Installed above the fireplace:

WIRING NOTE: If running wiring into the enclosure, use thermal insulating wrap around the wiring. Secure the wiring to protect from contact with hot surfaces.

Table 2 - Minimum Dimensions for Television (TV) Installed Above Fireplace on a Recessed Wall Pocket

(A) Pocket Above Fireplace Opening (Min.)	18" (457 mm)
(B) Pocket Below Fireplace Opening (Min.)	5-1/2" (140 mm)
(C*) Vent Opening Below Ceiling	6" (153 mm)

* NOTE: Maximum pocket depth is 3-1/2" (89 mm)



TVs should not be used in situations where the actual TV temperature exceeds the manufacturer's technical specification. Contact the TV manufacturer directly if you cannot locate this information or have questions regarding this information.

NOTE: Clearances to TV are provided only for guidance, please follow TV manufacturer's recommendation for installation.

HEATFLO™ KIT INSTALLATION

NOTICE

This kit must be installed by a qualified installer, service agency, or gas supplier at the time of the fireplace installation. These instructions must be used in conjunction with the installation and operation manual provided with the fireplace.

! WARNING

DO NOT cover or place objects in front of the heat register opening. AVOID locating heat register opening within 76 inches above floor level as discharge temperatures are hot!

! WARNING

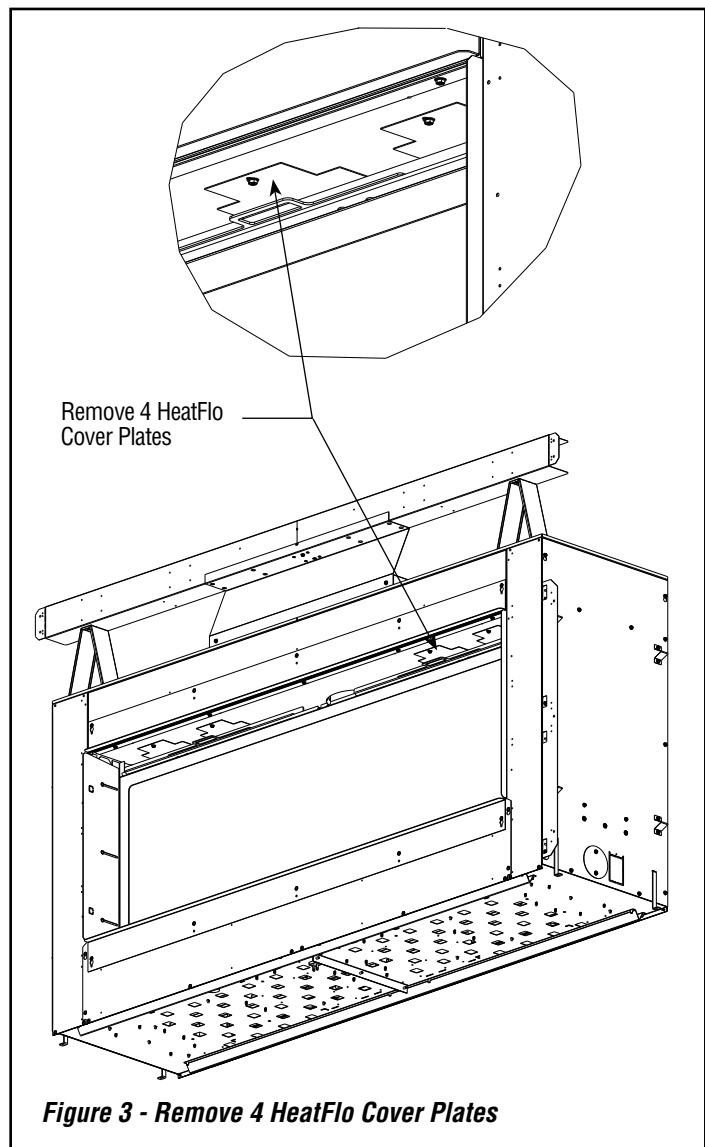
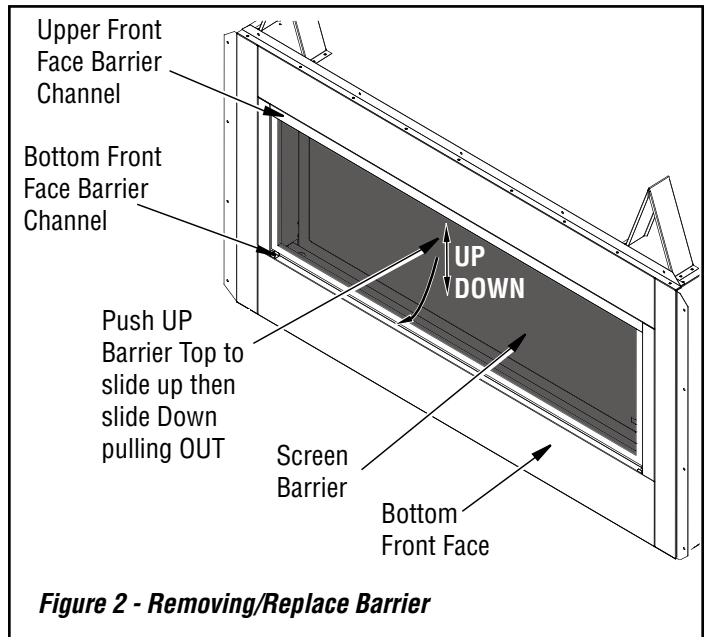
Minimum clearances below the ceiling is 6". Note that staining or streaking may occur on light colored ceilings to any dust, etc. in air flow.

FIREPLACE PREPARATION/HEATFLO INSTALLATION

NOTE: the installation of the HeatFlo system must be done at the framing stage. The fireplace may be prepared by removing and installing certain components before insertion into the framing.

PRE-INSTALL FIREPLACE PREPARATION

1. First, remove the barrier by lifting upward to clear the bottom channel and swing the bottom of the barrier out. Then lower the barrier to clear the top channel. Place the barrier in a safe location for later re-installation (**Figure 2**).
2. Remove the hex head screws holding the four HeatFlo covers to the inner heat shield (1 ea.). Pull the covers forward removing them from the fireplace and discard. These will not be reused (see **Figure 3**).



3. Remove the two (2) existing hex head screws from each of the four (4) HeatFlo knockout covers. Twist the four (4) HeatFlo knockout covers back and forth until they can be removed and discarded (see **Figure 4**).
4. Place the collars over each knockout opening, then place the collar retaining plate over them and fasten down with the provided #10 hex head screws (see **Figure 4**).

FIREPLACE INSTALLATION

1. Insert the fireplace into the framing.
2. Install the top standoff assembly in accordance with your application:
 - 2a. For Flush wall installs, a complete standoff assembly is required on the front for a one-sided application, and is required both front and rear on a See-Thru application (see **Figure 5**).
 - 2b. For Recessed wall pocket installs, the fireplace top spacers are required on the front for a one-sided application, and are required both front and rear on a See-Thru application, although the fireboard nailing flange/s can be removed (see **Figure 5**).

INSTALLING HEATFLO™ KIT

With the framing in place, proceed to install the HeatFlo™ kit.

1. Mount the heat register into the 7-1/2" rough frame opening maintaining minimum clearances (See **Figure 9, Page 5**).
2. Fix the heat register to the framing using wood screws (not provided) through the top stud mounting section (See **Figure 8, Page 5**). **NOTE:** The upper mounting section is not intended to carry all of the weight of the Kit and pipes. The heat register also rests on the bottom stud of the rough framing opening and on the plenum brackets (**Figure 6**).
3. Ensure the heat register is leveled and its outlet is not distorted, then secure both plenum brackets to rear framing using four (4) screws (not supplied), and to the bottom of the heat register (**Figure 6**).

NOTE: Plenum brackets are attached to heat register and to an additional stud on the framing enclosure, see **Figure 6**.

4. Use metal straps (not supplied) as required to further secure the heat register to rear sides of framing (see **Figures 8 and 9, Page 5**).

NOTE: Support straps need to be oriented vertically or angled at 45° (Purpose is to support the Kit weight See **Figure 9, Page 5**).

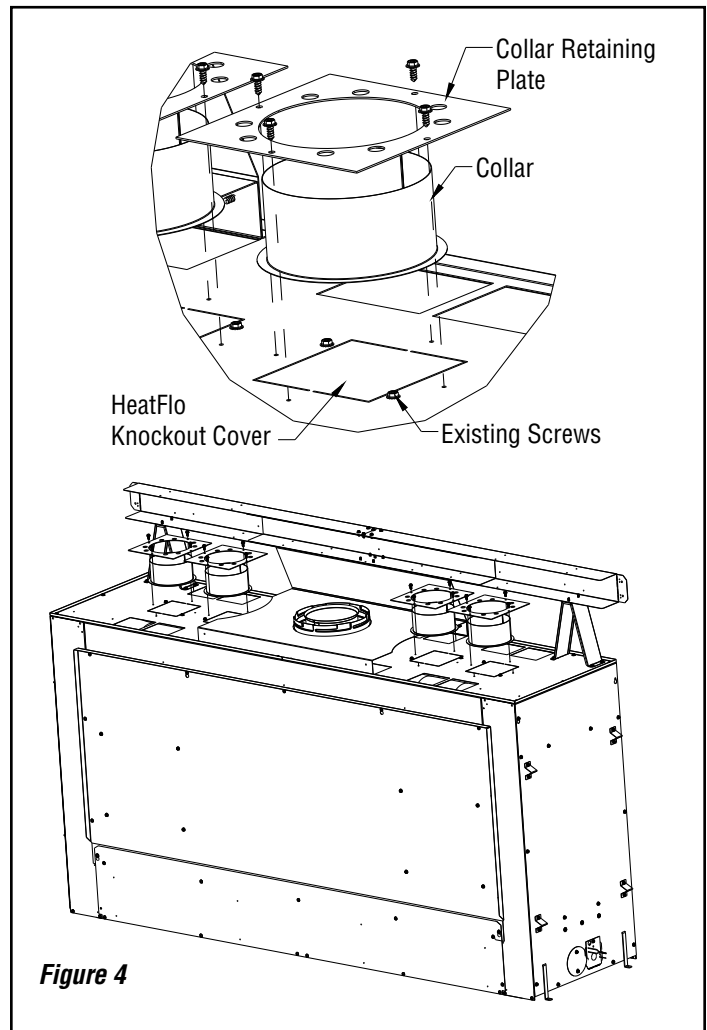


Figure 4

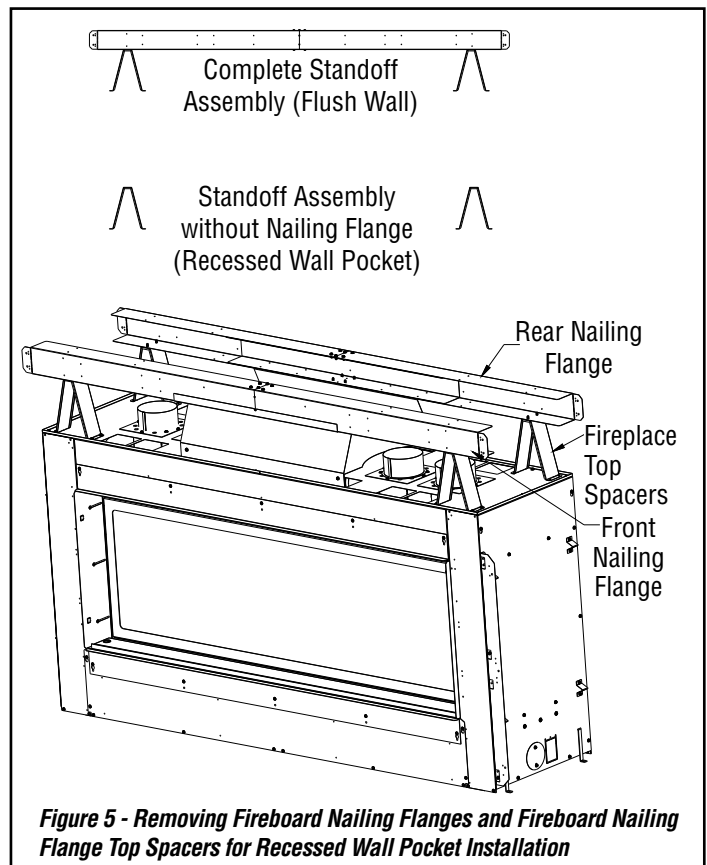
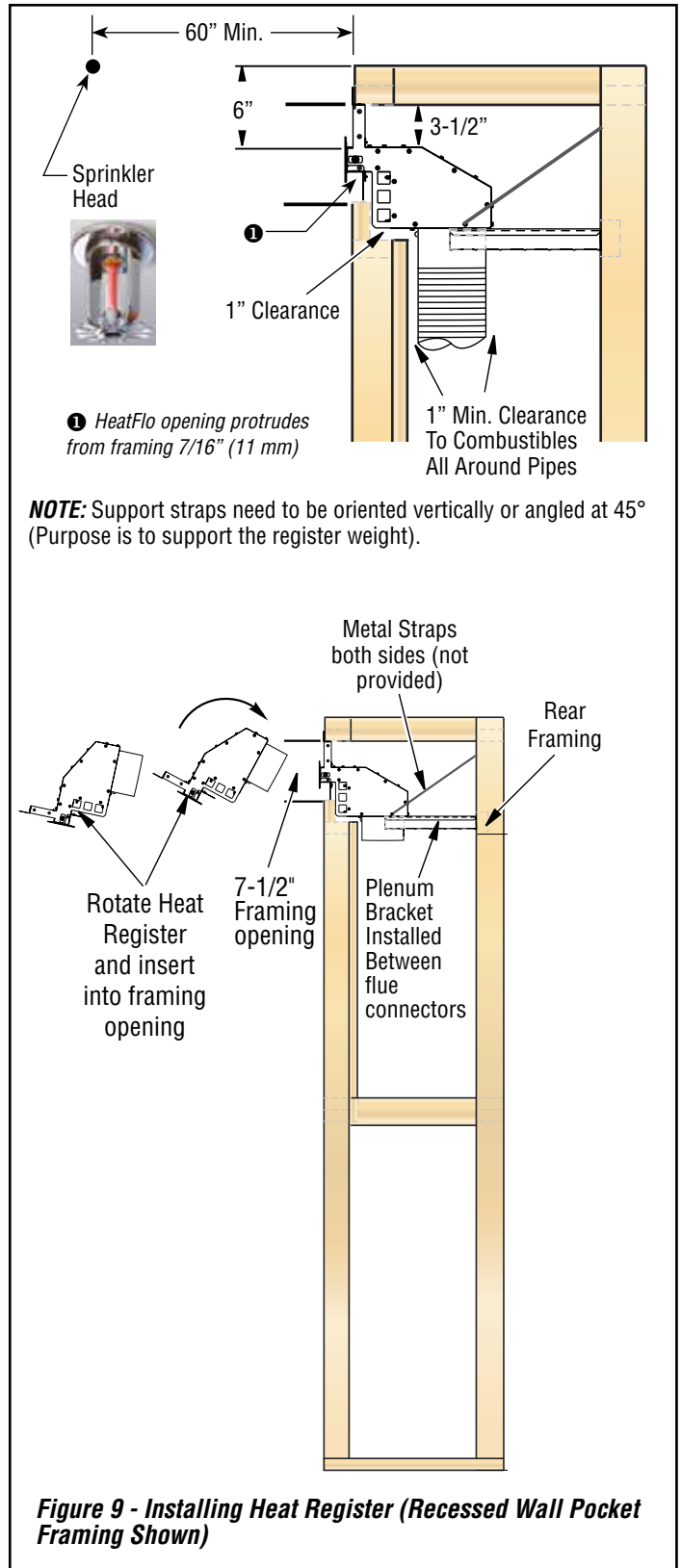
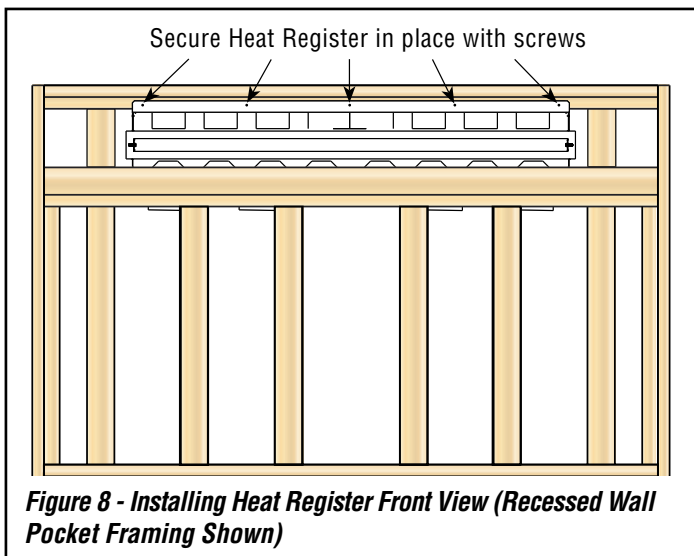
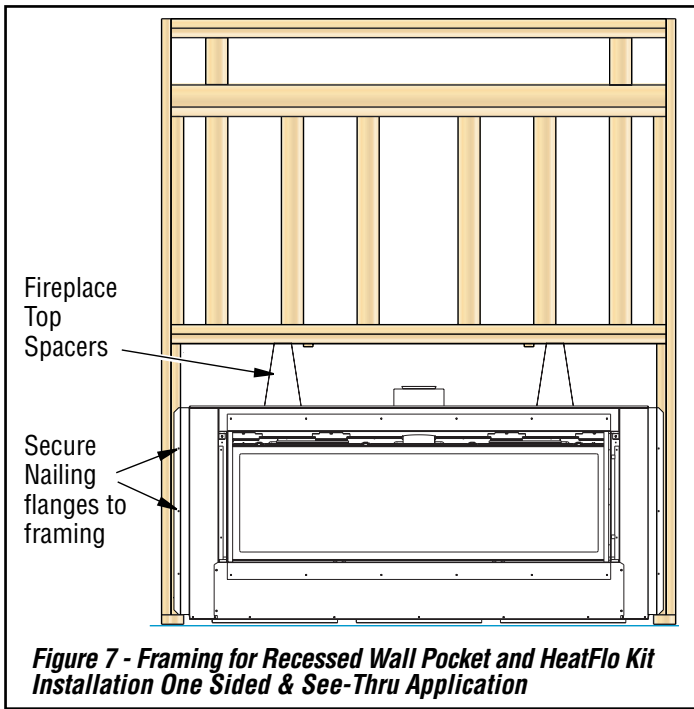
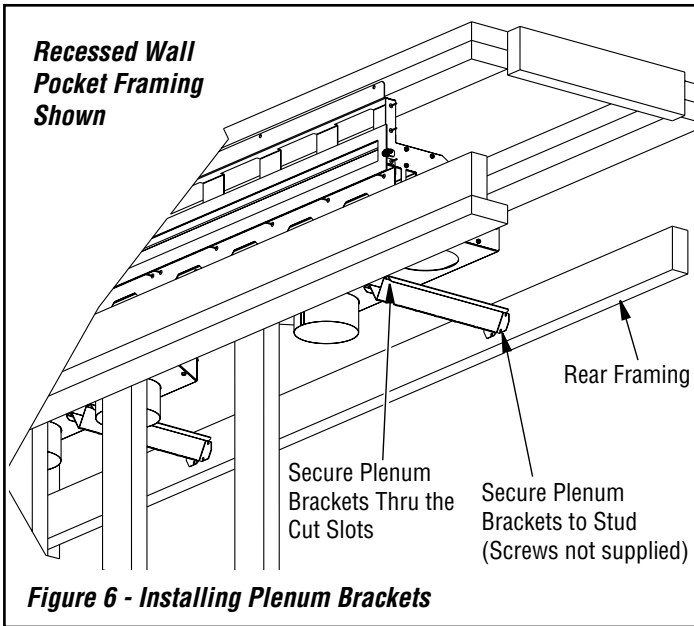


Figure 5 - Removing Fireboard Nailing Flanges and Fireboard Nailing Flange Top Spacers for Recessed Wall Pocket Installation



! IMPORTANT NOTE

HeatFlo Kits allow for a recessed wall pocket above the fireplace. Follow instructions for *Fireplace Framing Dimensions for Recessed Wall Pocket in the Installation and Operation Manual.*

6. With fireplace and heat register in place, attach the approved flex pipes (supplied with kit) to each of the collars on the fireplace top and secure them with gear clamps (provided with kit) see **Figure 10. NOTE: DO NOT SLICE PIPES!**

7. With the flex pipe sections attached to the fireplace, stretch the flex pipes enough to reach the heat register collar in place. **NOTE:** Flex pipe stretches up to 2-1/2 times its compressed length (ie. 26" long pipe will stretch to approximately 60" to 65").

NOTES:

- Minimum installed distance from bottom of unit to bottom of heat vent opening is 76", maximum allowed length is 20 ft.
- Minimum distance to sprinkler head/fire suppression is 60".
- Maintain 1" min. clearance to combustibles all around pipes.
- Keep flex pipe as vertical as possible to maintain air flow.
- Do not let flex pipes contact fireplace venting.

8. Secure the flex pipes to heat register HeatFlo collars with the gear clamps. See **Figure 11.**

9. Remove trim from Heat register before finishing details (**Figure 11**).

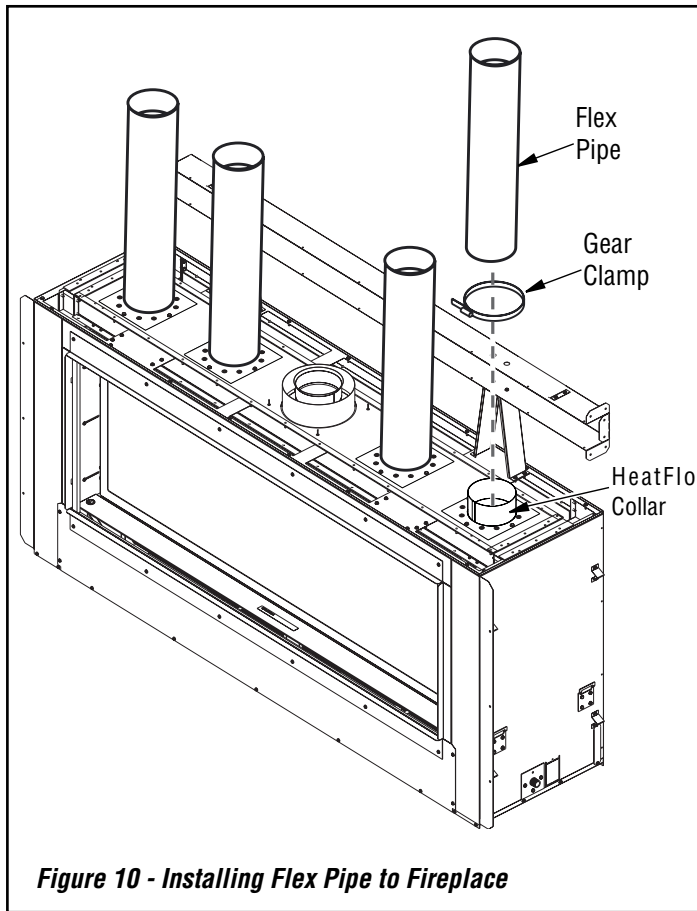


Figure 10 - Installing Flex Pipe to Fireplace

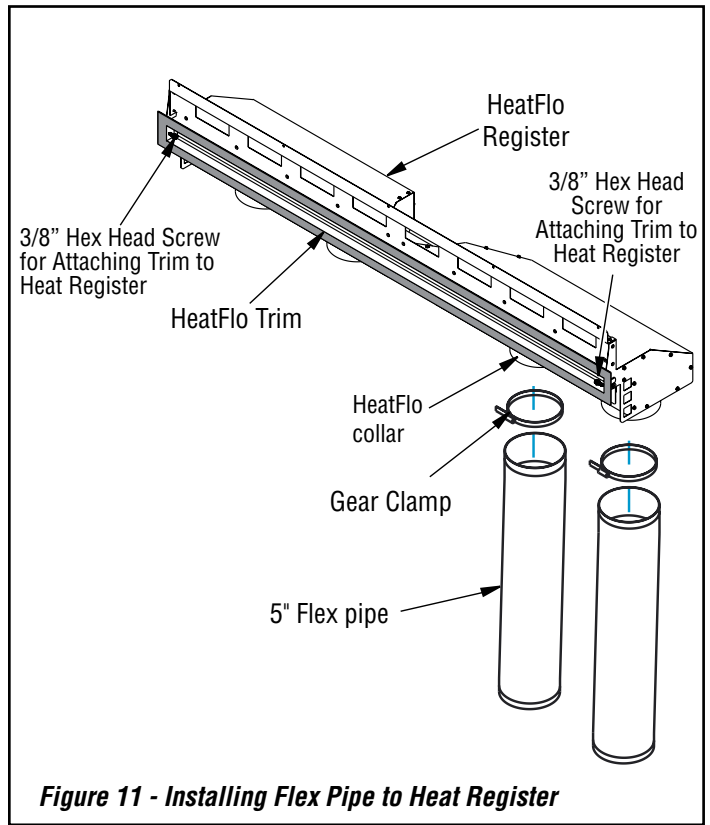


Figure 11 - Installing Flex Pipe to Heat Register

Figure 12, shows a HeatFlo™ system in place.

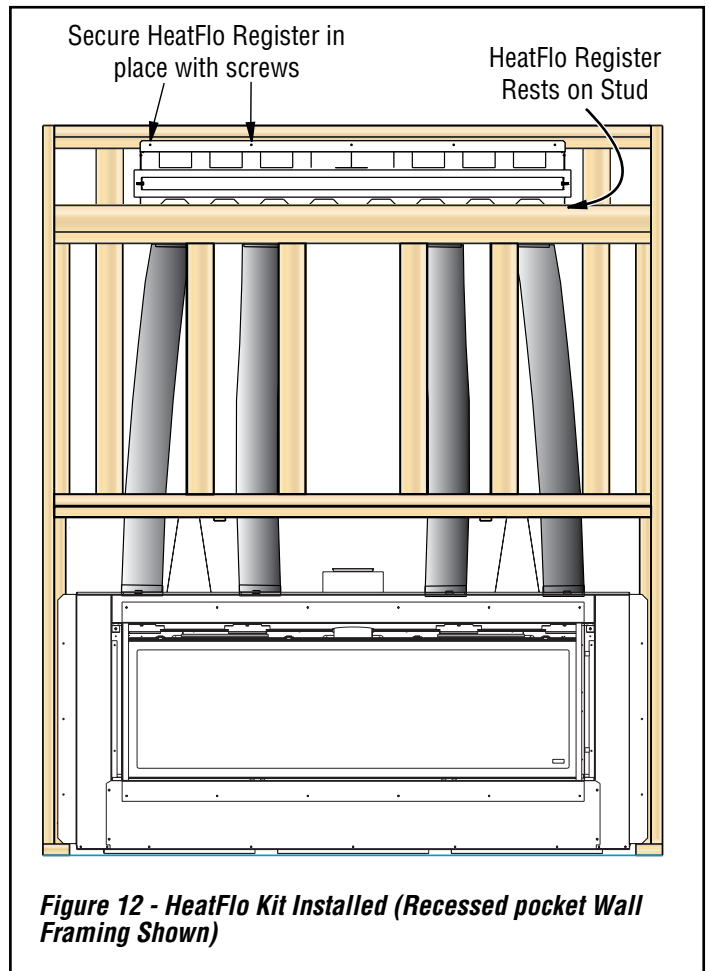


Figure 12 - HeatFlo Kit Installed (Recessed pocket Wall Framing Shown)

Re-Installing the Glass Door and Barrier

1. Install the barrier by sliding in into the top channel with the flat side toward the fireplace, then swinging the base of the barrier into the bottom channel and lowering it into place.
2. Finish the fireplace installation.

FINISHING FIREPLACE

The appliance is designed to mate with 1/2" wall sheathing materials such as drywall, plywood, wood composites, or non-combustible materials.

Finishing and Sealing Joints

All joints between the finished wall sheathing and the appliance must be sealed with non-combustible materials. Sealants, such as caulk or mastic used to seal the gap between the wall and the fireplace, should be rated at a minimum continuous exposure to 300 °F.

Finishing Around Opening with Gypsum Wallboard

Gypsum wallboard (drywall) joints adjacent to the fireplace opening, including the non-combustible board on the appliance, require special attention to minimize cracking. When installing gypsum wallboard around the fireplace, install the hole for the fireplace opening in a single wallboard sheet, if possible. This will minimize the joints adjacent to the fireplace opening.

Tape wall board joints around the fireplace opening with fiberglass-mesh tape. It will provide a more crack-resistant joint than paper tape. Fill, smooth and finish wall joints with chemically setting-type joint compound. It will provide a more crack-resistant joint than air-drying light-weight compound.

NOTE: NEVER install combustible material (wall finish, surround, trim, etc.) on, in front of, or overlapping any part of the fireplace front face.

NOTE: Non-combustible fireboard is provided with the fireplace. DO NOT SUBSTITUTE.

Installing Fireboard

1. Using 1" self drill bugle drywall screws (supplied), install non-combustible fireboard at bottom, sides and top of fireplace face (**See Figure 13**).
2. Apply 1/2" wall sheathing materials such as drywall, plywood, wood composites, or non-combustible materials to the rest of the wall. **NOTE:** When applying drywall, minimize number of joints to reduce potential for cracking.

NOTE: Factory supplied tile stops protrude 3/4" from unit and will allow installation of standard tile and thin set on top of the noncombustible fireboard.

NOTE: The HeatFlo Register Trim ships from the factory painted black and it may be painted another color to match the wall color. Use high temperature paint with a minimum 400°F continuous rating (**Figure 14**). Do not finish over any of the opening in the trim outlet.

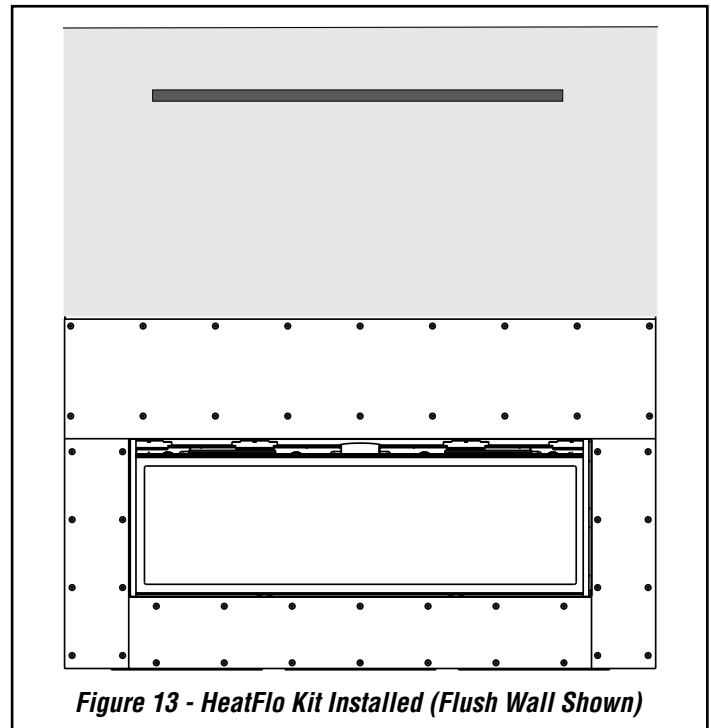


Figure 13 - HeatFlo Kit Installed (Flush Wall Shown)

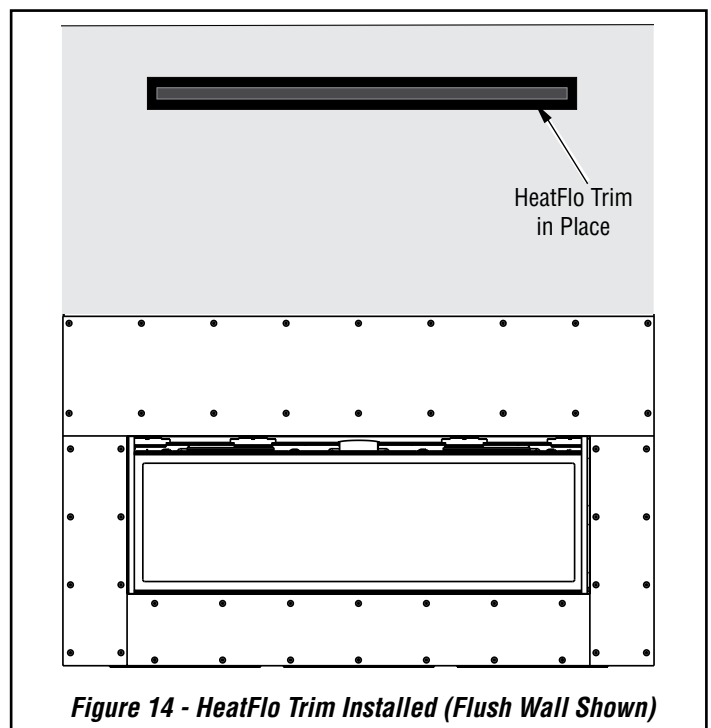


Figure 14 - HeatFlo Trim Installed (Flush Wall Shown)

Attach the trim to the register using the screws on both sides after finishing details (**Figure 11**, this page and **Figure 14**, Page 7).

NOTES:

- The trim has 1" adjustment to allow for different thickness of building material like marble, tile, etc.
- The trim is provided to cover finished wall edges around the HeatFlo opening, though it is not required. For a clean wall installation, finish the wall facing cleanly around the HeatFlo opening.

Innovative Hearth Products (IHP) reserves the right to make changes at any time, without notice, in design, materials, specifications, prices and also to discontinue colors, styles and products. Consult your local distributor for fireplace code information.

Printed in U.S.A. © 2020 Innovative Hearth Products

P/N 901063-00 REV. B 05/2021



1769 East Lawrence Street • Russellville, AL 35654