

INSTALLATION INSTRUCTIONS FOR SEE-THRU CONVERSION KITS

[FOR USE WITH ASTRIA ALLUME & ALLUME DLX SERIES, AND SUPERIOR DRL4000 & DRL6000 SERIES FIREPLACES LISTED IN TABLE 1]

KIT CONTENTS

2 ea. Nailing Flange side
2 ea. Tile Stop L/R
2 ea. Tile Stop Top/Bottom
2 ea. Sight Obstructor
1 ea. Standoff Heatshield
1 ea. Door Access Cover
1 ea. Fireboard Assembly
1 ea. Glass Door
1 ea. Rear Standoff Assembly
1 ea. Barrier
1 ea. #10 Hex Head Screws
#8 Phillips Head Screws
Bugle drywall Screws

TOOLS NEEDED (NOT SUPPLIED)

Electric Drill/Driver Gun
Phillips Screwdriver Bits
5/16 Nut Driver
5/16" Wrench

SEE-THRU KITS			
Fireplace	Cat. No.	Model	Description
ALLUME60-B	F4410	STK-LIN60-B	Kit, Linear 60 See-Thru
ALLUMEDLX60-B			
ALLUME72	F4411	STK-LIN72	Kit, Linear 72 See-Thru
ALLUMEDLX72			
ALLUME84	F4412	STK-LIN84	Kit, Linear 84 See-Thru
ALLUMEDLX84			
DRL4060-B	F4410	STK-LIN60-B	Kit, Linear 60 See-Thru
DRL6060-B			
DRL4072	F4411	STK-LIN72	Kit, Linear 72 See-Thru
DRL6072			
DRL4084	F4412	STK-LIN84	Kit, Linear 84 See-Thru
DRL6084			

Table 1 See Figure 1

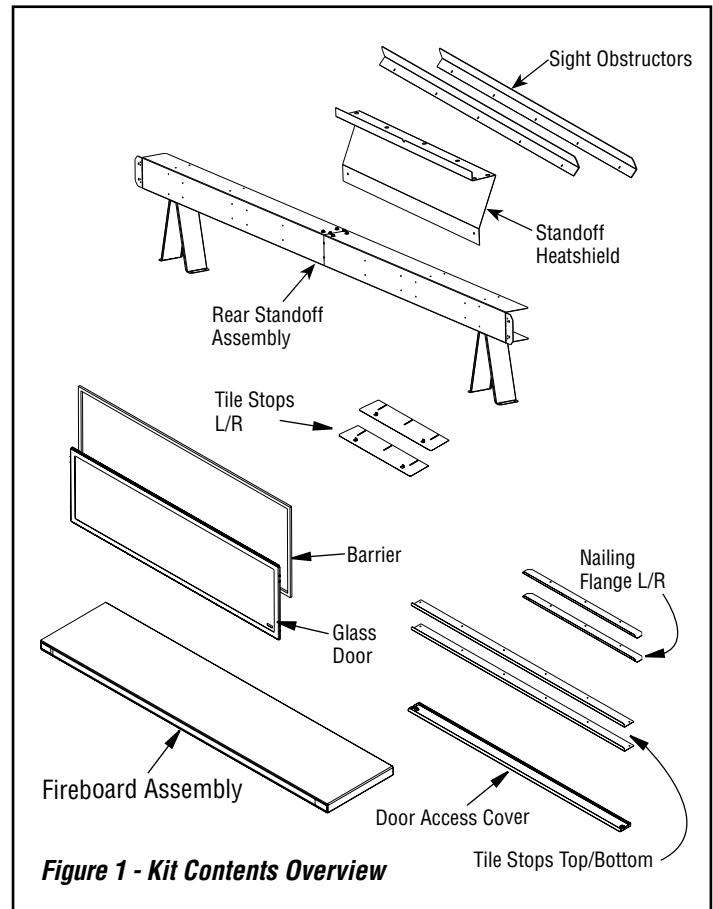


Figure 1 - Kit Contents Overview

GENERAL INFORMATION

The See-Thru Kit is designed to upgrade the fireplace to a See-Thru application.

When Installing this kit, reference the framing dimensions for the See-Thru application and follow the framing instructions shown on the fireplace installation Instructions. Follow all other installation requirements for the fireplace as detailed in the installation manual.

IMPORTANT! CONVERT THE FIREPLACE TO A SEE-THRU APPLICATION BEFORE INSTALLING INTO THE FRAMING.

REFER TO INSTALLATION INSTRUCTIONS AND CARE AND OPERATIONS MANUAL (IICO) FOR FRAMING DETAILS BEFORE INSTALLING THIS KIT.

ALL WARNINGS AND PRECAUTIONS IN THE INSTALLATION AND OPERATION MANUAL PROVIDED WITH THE FIREPLACE APPLY TO THESE INSTRUCTIONS.

INSTALLER: Leave this manual with the appliance
CONSUMER: Retain this manual for future reference

IMPORTANT NOTICE

OPTIONAL SEE-THRU KIT IS REQUIRED FOR UPGRADING FIREPLACE TO A SEE-THRU APPLICATION.

IMPORTANT NOTICE

BLOWER USE IS NOT COMPATIBLE WITH THE OPTIONAL SEE-THRU KIT.

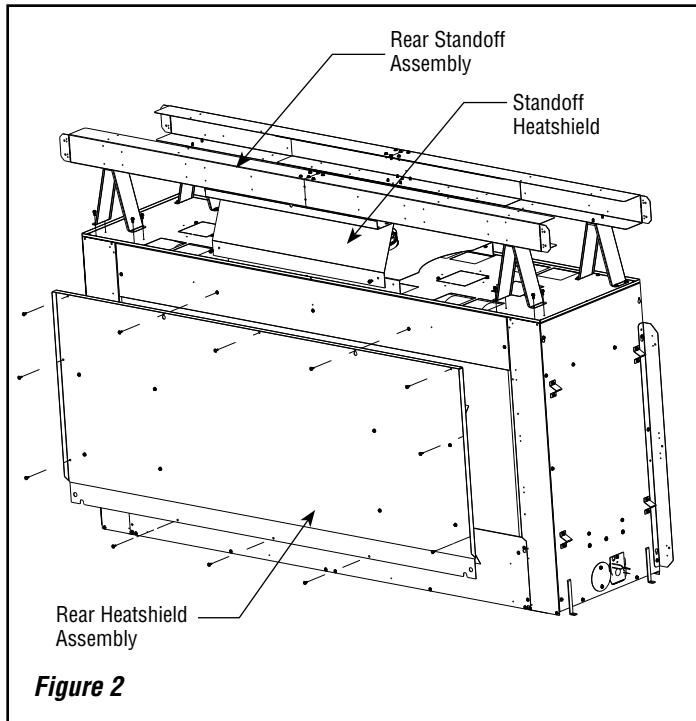
WARNING

This kit must be installed by a qualified installer, service agency, or gas supplier at the time of the fireplace installation. These instructions must be used in conjunction with the installation and operation manual provided with the fireplace.

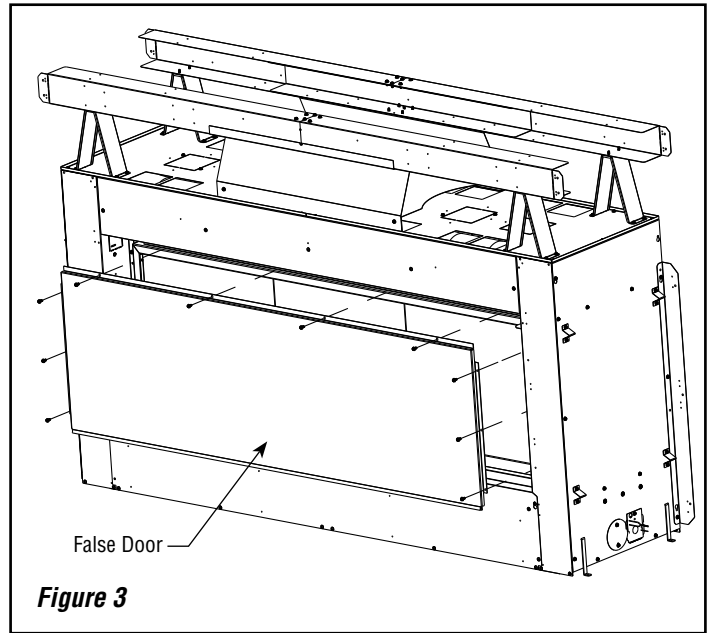
ALLUME DLX SERIES and DRL6000 SERIES MODELS ONLY, disconnect blower assembly power cord from the fireplace control module harness. Discard blower assembly and blower harness as blowers are not compatible on a See-Thru application.

Preparing Fireplace for See-Thru Application

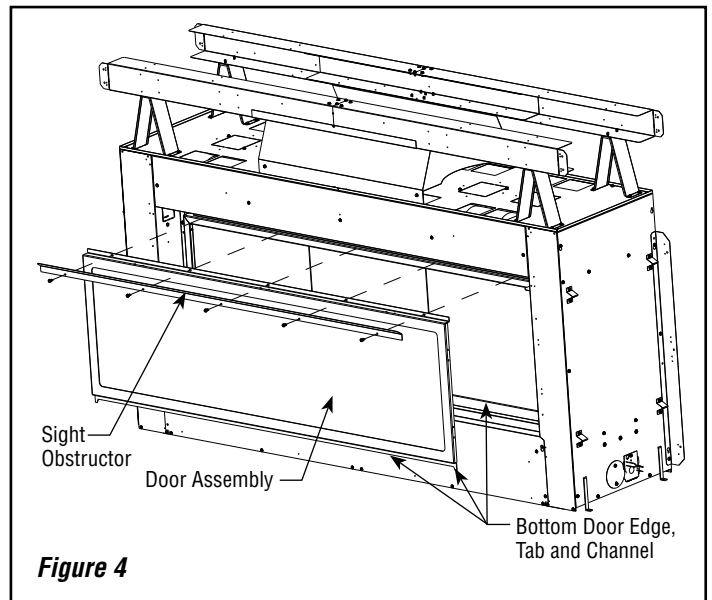
1. Install rear standoff assembly, as shown in **Figure 2**, using eight (8) of the #10 hex head screws.
2. Install the standoff heatshield, using three (3) #10 hex head screws (two in the lower front, and one going upward into the standoff assembly). See **Figure 2**.
3. Remove the rear heatshield assembly by removing the hex head screws fastening it to the back of the fireplace. This assembly will not be reused and can be discarded (see **Figure 2**).



4. Remove the hex head screws fastening the false door to the fireplace. Lift upward and outward to remove false door. Remove any gasket material that may have been left behind on the firebox door mating surface. This part will not be reused and can be discarded (see **Figure 3**).



5. Place the bottom edge of the door assembly into the door channel on the firebox. The tabs on the bottom of the door on each side will fall into corresponding slots on the door channel of the firebox (see **Figure 4**).
6. While holding the door closed, place one of the sight obstructors against the door as shown. With both the door and sight obstructor in place, fasten them to the firebox together using #10 hex head screws (see **Figure 4**).



7. Attach the remaining sight obstructor to the upper heatshield as shown using #10 hex head screws (see **Figure 5**).

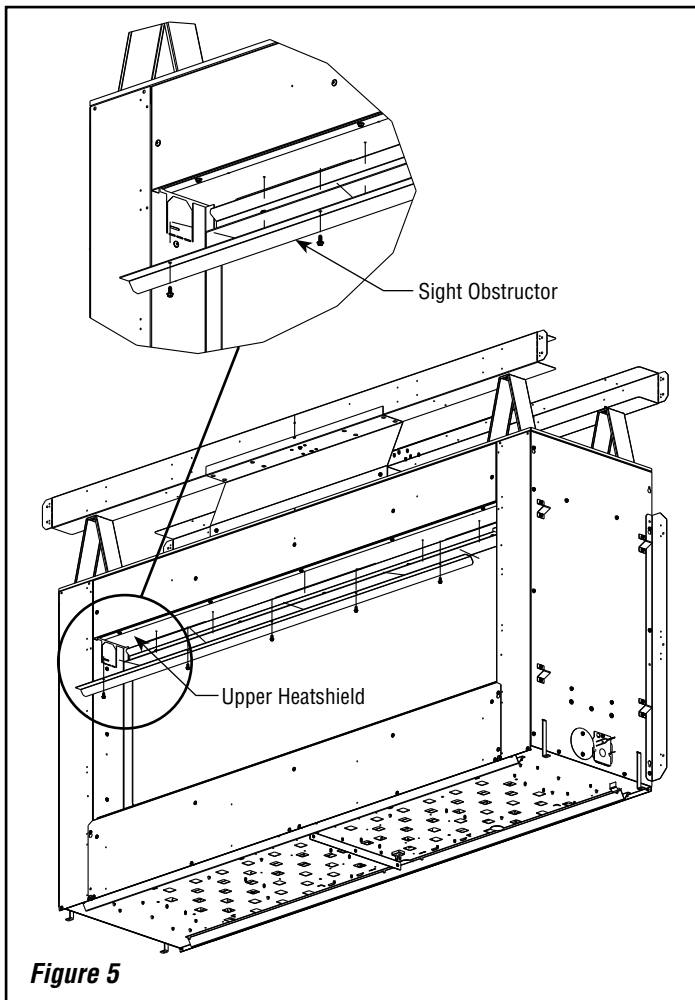


Figure 5

8. Partially install two (2) #8 Phillips head screws into the upper left and right tile stop mounting holes. Partially loosen (DO NOT REMOVE) the two (2) lower outside tile stop Phillips head screws. Hang the top and bottom tile stops on those outside screws and install the remaining #8 Phillips head screws on each tile stop (see **Figure 6**).
9. Using six (6) #8 Phillips head screws, install the side tile stops as shown in **Figure 6**.
10. Bend both side door access cover supports upward until they are flat. Bend the center door access cover toward the door on the fireplace (see **Figures 6 and 7**).
11. Install the door access cover onto the door access cover supports, inserting tabs on cover into the slots on the cover support shown in **Figure 7**.
12. Install the barrier by sliding it upward into the top barrier channel, then push back slightly on the bottom, and lower it into the lower barrier channel (see **Figure 7**).

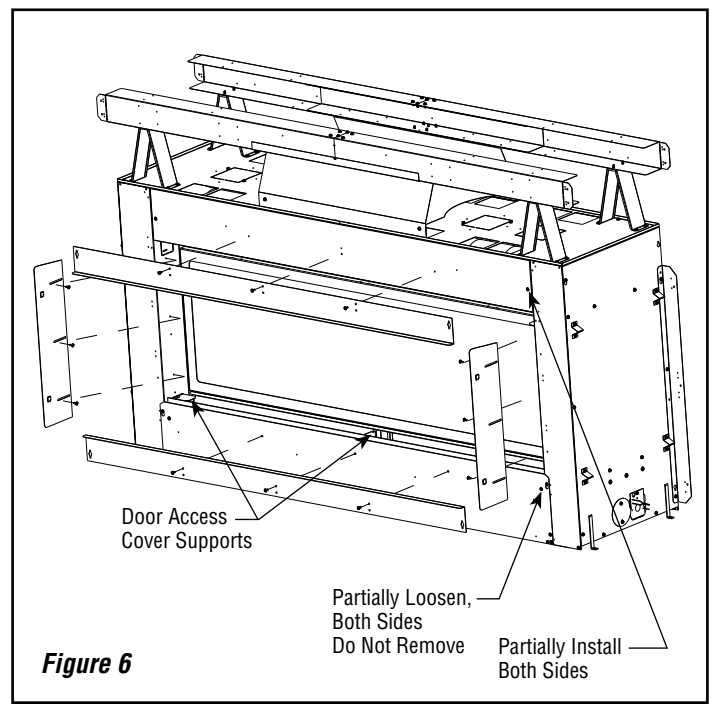


Figure 6

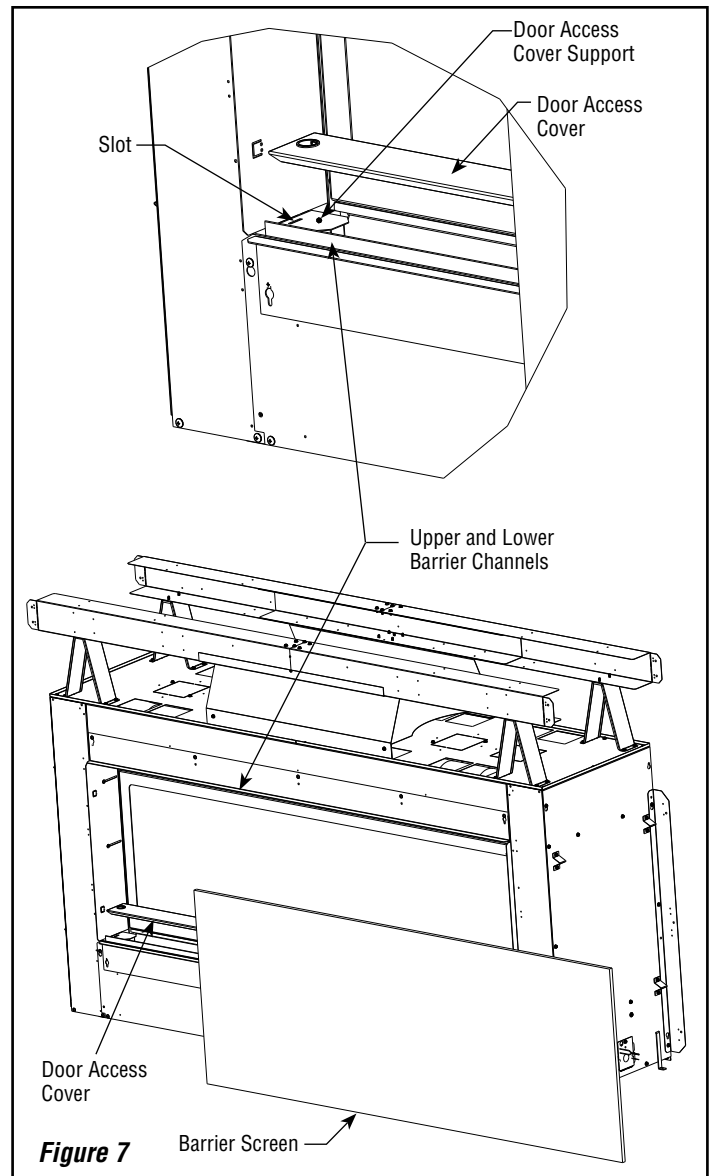
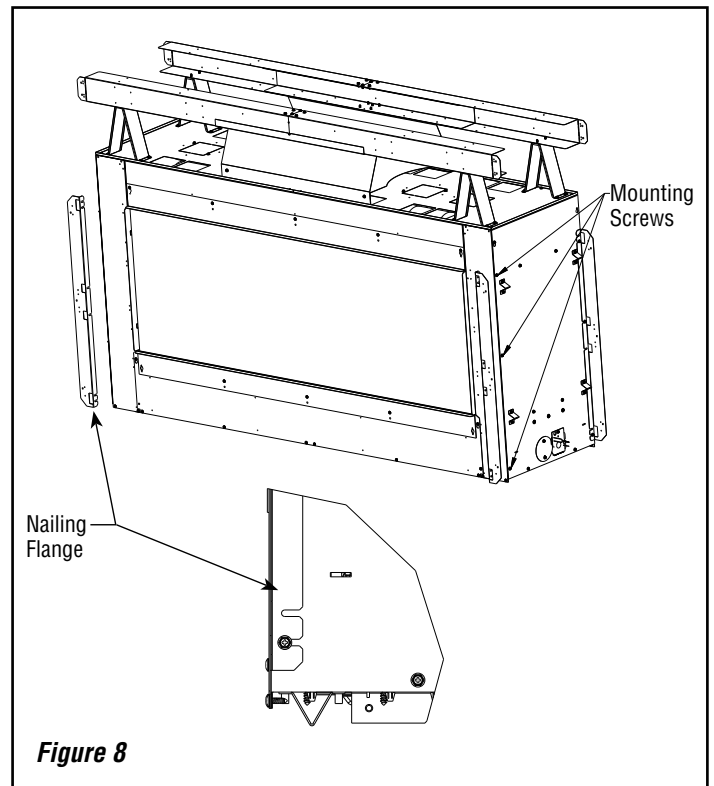


Figure 7

13. Proceed with installation of the fireplace into the framing per instructions in the Installation and Operation Manual provided with the fireplace.
14. Once the fireplace is installed in the framing, install the nailing flanges. Loosen (DO NOT REMOVE) the three (3) hex head mounting screws on both sides of the fireplace shown in **Figure 8**. Slide the nailing flange onto those screws on both sides, with the bottom most slot going onto the bottom most screw. Once in place, using a 5/16" wrench, tighten the mounting screws through the access holes in the nailing flange (see **Figure 8, Page 4**).



FINISHING FIREPLACE

The appliance is designed to mate with 1/2" wall sheathing materials such as drywall, plywood, wood composites, or non-combustible materials.

Finishing and Sealing Joints

All joints between the finished wall sheathing and the appliance must be sealed with non-combustible materials. Sealants, such as caulk or mastic used to seal the gap between the wall and the fireplace, should be rated at a minimum continuous exposure to 300 °F.

Finishing Around Opening with Gypsum Wallboard

Gypsum wallboard (drywall) joints adjacent to the fireplace opening, including the non-combustible board on the appliance, require special attention to minimize cracking. When installing gypsum wallboard around the fireplace, install the hole for the fireplace opening in a single wallboard sheet, if possible. This will minimize the joints adjacent to the fireplace opening.

Tape wall board joints around the fireplace opening with fiberglass-mesh tape. It will provide a more crack-resistant joint than paper tape. Fill, smooth and finish wall joints with chemically setting-type joint compound. It will provide a more crack-resistant joint than air-drying light-weight compound.

NOTE: NEVER install combustible material (wall finish, surround, trim, etc.) on, in front of, or overlapping any part of the fireplace front face.

NOTE: Non-combustible fireboard is provided with the fireplace. DO NOT SUBSTITUTE.

Installing Fireboard

1. Using 1" self drill bugle drywall screws (supplied), install non-combustible fireboard at bottom, sides and top of fireplace face (**See Figure 8**).
2. Apply 1/2" wall sheathing materials such as drywall, plywood, wood composites, or non-combustible materials to the rest of the wall. **NOTE:** When applying drywall, minimize number of joints to reduce potential for cracking.

NOTE: Factory supplied tile stops protrude 3/4" from unit and will allow installation of standard tile and thin set on top of the noncombustible fireboard.

NOTE: The HeatFlo Register Trim ships from the factory painted black and it may be painted another color to match the wall color. Use high temperature paint with a minimum 400°F continuous rating (**Figure 9**). Do not finish over any of the opening in the trim outlet.

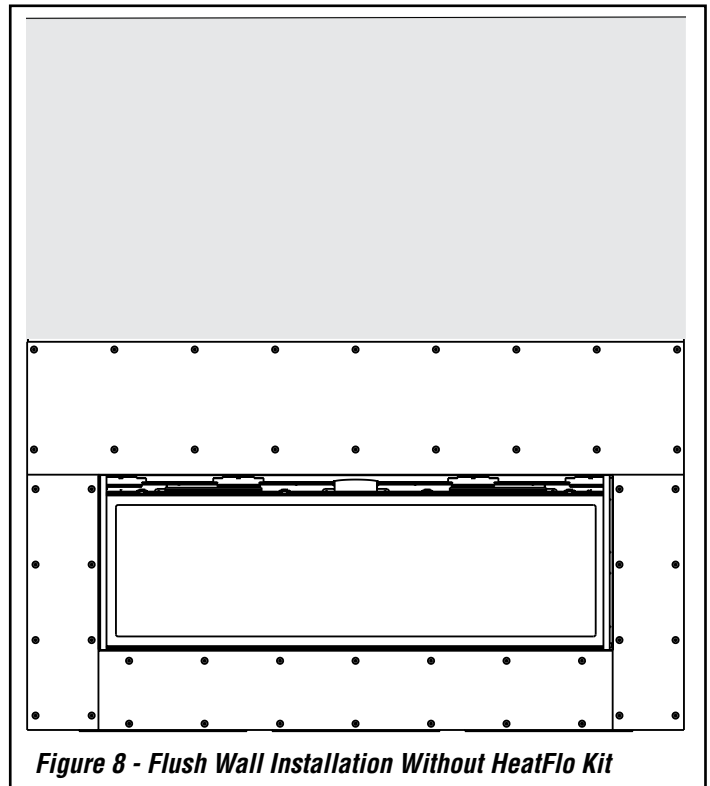


Figure 8 - Flush Wall Installation Without HeatFlo Kit

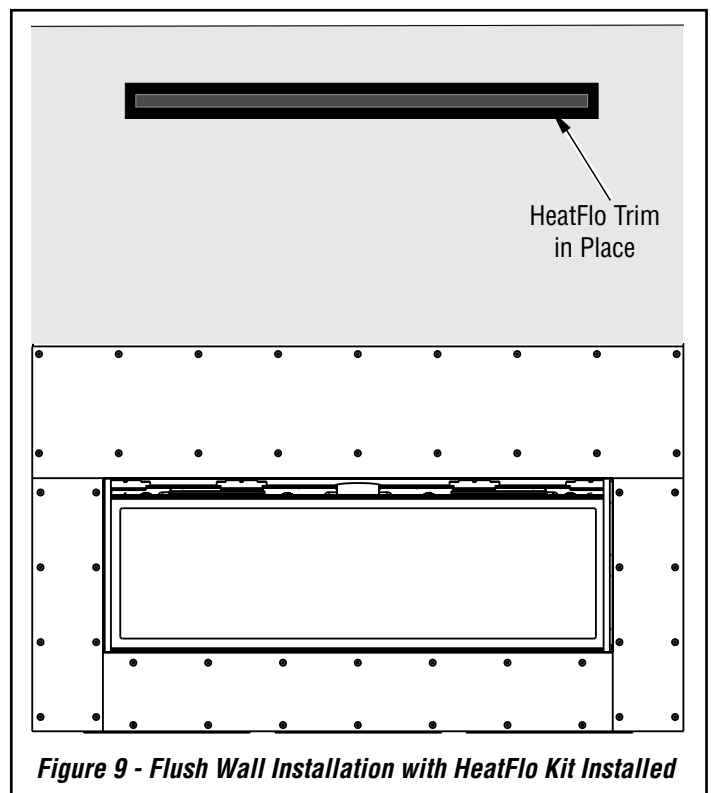


Figure 9 - Flush Wall Installation with HeatFlo Kit Installed

Innovative Hearth Products (IHP) reserves the right to make changes at any time, without notice, in design, materials, specifications, prices and also to discontinue colors, styles and products. Consult your local distributor for fireplace code information.

Printed in U.S.A. © 2020 Innovative Hearth Products
P/N 901058-00 REV. A 11/2020



1769 East Lawrence Street • Russellville, AL 35654