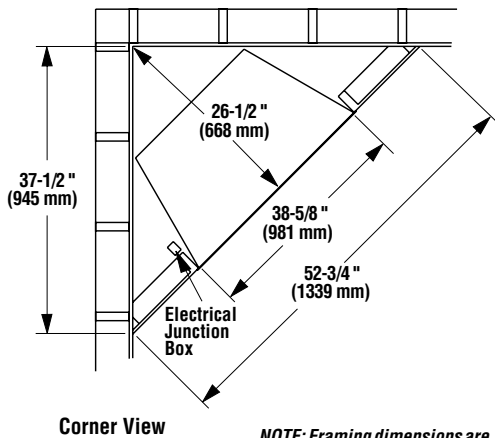


# IHP 36" Electric Fireplaces

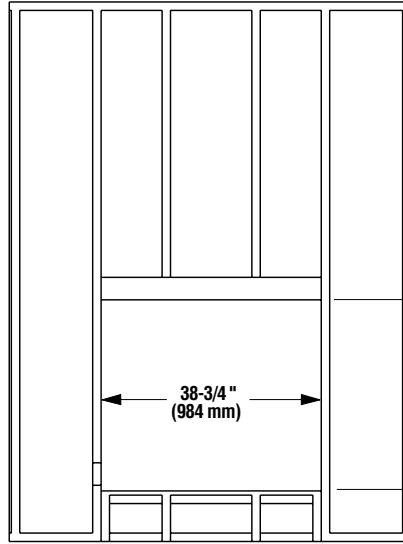
## ELECTRIC FIREPLACE

Framing Dimensions

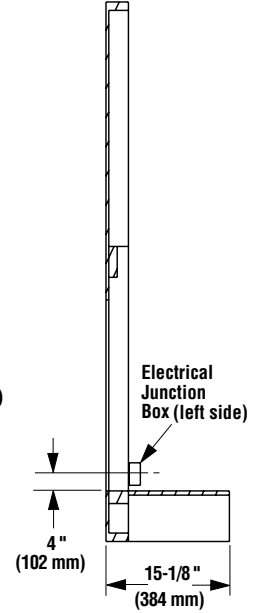


Corner View

**NOTE:** Framing dimensions are calculated for a nailing flange depth of 1/2"



Front View



Side View

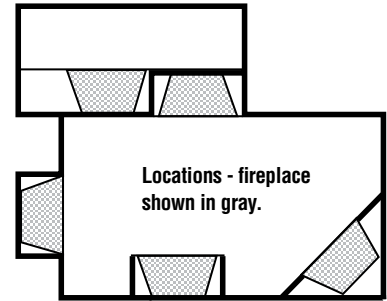
Product Reference Information

Models: Capella™ 36, ERT3036, MPE-36-N  
 Description: Electric Fireplace, 36" Radiant  
 Shipping Weight: 90 lb.'s (41 KG)  
 Packaging: 44-3/4" x 19-1/2" x 34-1/4" (1135 mm x 495 mm x 870 mm)  
 17.30 cu. ft.

Power Requirements:  
 (120 Volt, 60 Hz.)  
 Rated Wattage - 1500 Watts  
 Amperage - 13.33 Amps  
 (240 Volt, 60 Hz.)  
 Rated Wattage - 3000 Watts  
 Amperage - 12.5 Amps

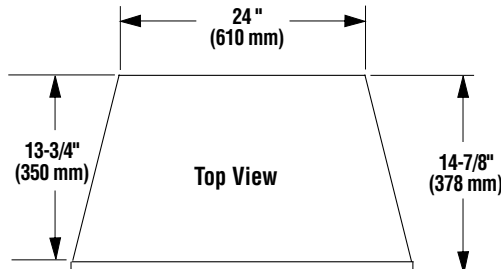
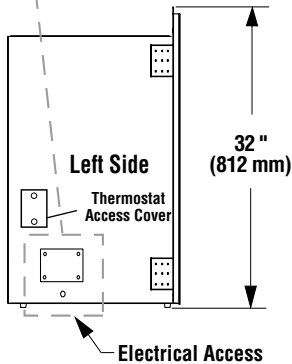
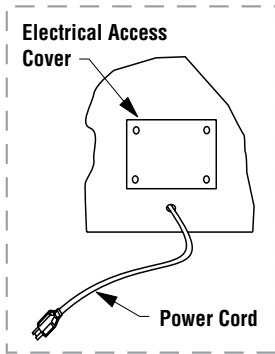
Blower CFM: 83 CFM  
 (120 V): 5,461 BTU/HR  
 (240 V): 10,239 BTU/HR

Locations

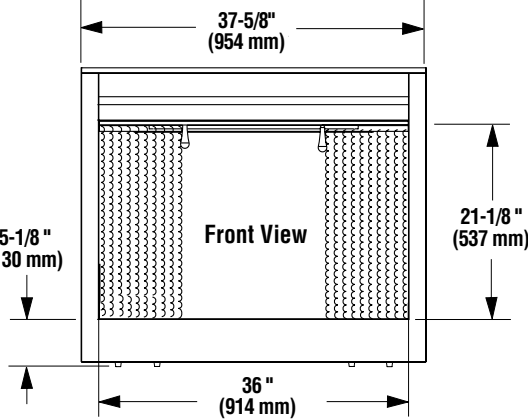


Locations - fireplace shown in gray.

Fireplace Dimensions



Top View



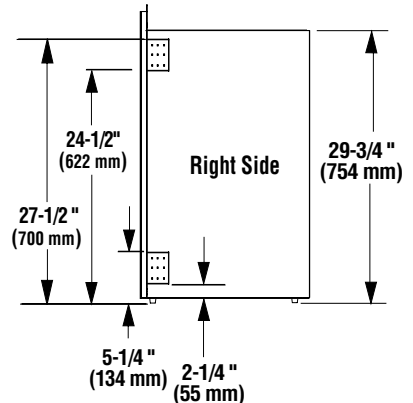
Front View

Listing



Report # 2048831

This appliance has been tested in accordance with UL 2021 and CSA C22.2 No. 46-M198 standards for fixed and location dedicated electric room heaters.



Right Side

# IHP 36" Electric Fireplaces

Product Info

Product Reference Information			
Cat. #	Models	Weight	Cu. Ft.
F4450	Capella36, ERT3036, MPE-36-N	90 lbs.	17.3 cu. ft.

**Clearances** - This appliance is an electric fireplace designed to be framed in with combustible materials (up to the edge of the appliance). A drywall lip at the top of the fireplace and 4 nailing flanges on the sides of the appliance is provided to facilitate installation.

Minimum Clearances - Inches (millimeters)	
Back	0 (0)
Sides	0 (0)
Top	0 (0)
Floor	0 (0)

**Mantel Clearance:** Combustible and Non-combustible mantels may be installed at any height above the top of the face of fireplace.

**Hearth Protection:** A hearth is not required, but it is recommended for aesthetic purposes.

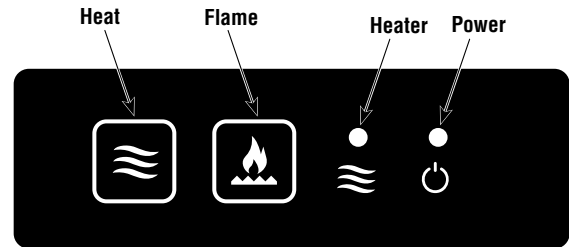
Clearances to Combustibles

Fireplace Manual Controls

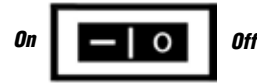
**Controls** - This appliance can be operated either from the manual control panel (see below) or by using the remote control.

The manual controls are located on the firebox floor on the front left. If an optional glass enclosure is installed, it must be removed to access.

### Manual Control Panel (located on fireplace floor)



### Main Power ON/OFF Switch



## ELECTRIC FIREPLACE



Standard Full Function  
Infrared Light Remote Control.



Fireplace Features & Optional Accessories

### Standard Features

- Oak log set and glowing ember bed.
- Smoked-Brick pattern glass interior.
- Adjustable flame height.
- Operable pull screens.
- 5000 BTU (120 V) or 10,000 BTU (240 V) heater.
- Full featured remote control.
- Wall thermostat ready.
- 120 V Power Cord.

### Options

- Wall thermostat
- Glass Enclosure Kits (black & stainless)
- Trim Kits (black & stainless on bronze)
- Complete Front Face Kits (mission style & interlocking arch)

Specifications and clearances are subject to change without notice. Refer to Installation Manual before installation of these appliances for updated dimensions and instructions.

Printed in U.S.A. © 2020 Innovative Hearth Products  
P/N 900974-03 REV. NC 10/2020

