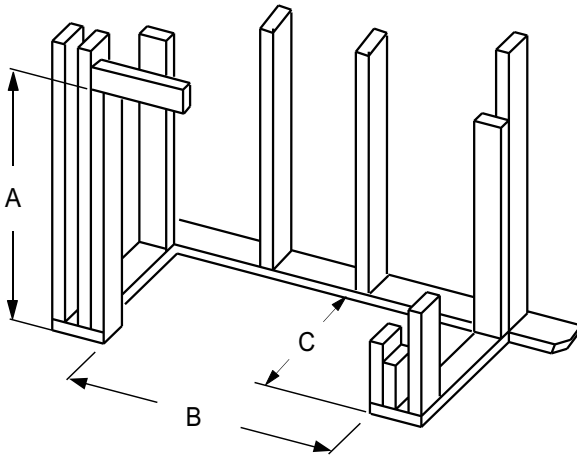


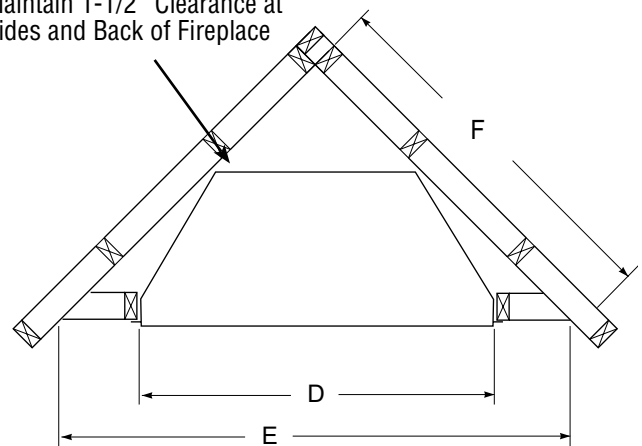
VRT6000 36/42/50 SERIES

VENT-FREE FIREPLACES

Framing Dimensions



Maintain 1-1/2" Clearance at Sides and Back of Fireplace

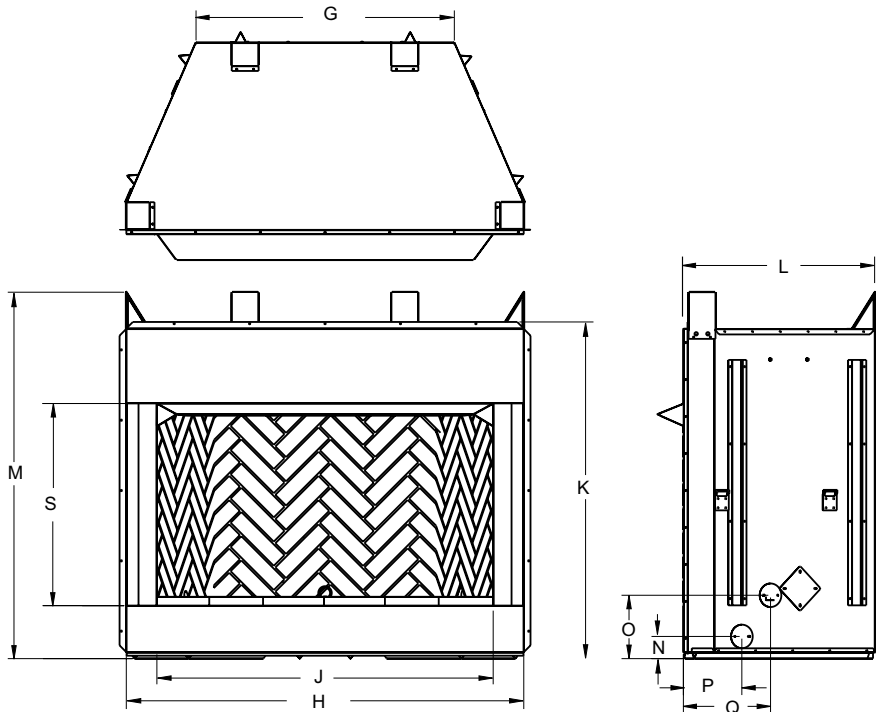


Models	A	B	C
36" Models	54-5/8" 1387 mm	45-3/8" 1153 mm	28-1/4" 718 mm
42" Models	54-5/8" 1387 mm	51-3/8" 1305 mm	30-1/8" 765 mm
50" Models	54-5/8" 1387 mm	59-3/8" 1508 mm	30-1/8" 765 mm

Models	D	E	F
36" Models	45-3/8" 1153 mm	86-1/2" 2197 mm	61" 1549 mm
42" Models	51-3/8" 1356 mm	92" 2337 mm	65" 1651 mm
50" Models	59-3/8" 1508 mm	100" 2540 mm	71" 1803 mm

Diagrams, illustrations and photographs are not to scale. Consult installation instructions. Product designs, materials, dimensions, specifications, colors, and prices are subject to change or discontinuance without notice.

Fireplace Dimensions



	36" Model	42" Model	50" Model
G	29" 737 mm	30-3/8" 772 mm	38-3/8" 975 mm
H	45-1/8" 1146 mm	51-1/8" 1298 mm	59-1/8" 1502 mm
J	36" 914 mm	42" 1067 mm	50" 1270 mm
K	50" 1270 mm	50" 1270 mm	50" 1270 mm
L	26-3/4" 680 mm	26-5/8" 677 mm	28-5/8" 727 mm
M	54-1/2" 1384 mm	54-1/2" 1384 mm	54-1/2" 1385 mm
N	3-3/8" 86 mm	3-3/8" 86 mm	3-3/8" 86 mm
O	9-1/2" 241 mm	9-1/2" 241 mm	9-1/2" 241 mm
P	7-3/8" 187 mm	8-3/4" 187 mm	8-3/4" 187 mm
Q	11-1/8" 283 mm	13" 330 mm	13" 330 mm
S	30" 762 mm	30" 762 mm	30" 762 mm

VRT6000 36/42/50 SERIES

VENT-FREE UNIVERSAL FIREBOX

Product Information

Cat. No.	Model	Weight	Cu. Ft.
F0259	VRT6036RS	446 lb.	109.1
F0260	VRT6036IS	446 lb.	109.1
F0261	VRT6036RH	446 lb.	109.1
F0262	VRT6036IH	446 lb.	109.1
F0263	VRT6042RS	586 lb.	109.1
F0264	VRT6042IS	586 lb.	109.1
F0265	VRT6042RH	586 lb.	109.1
F0266	VRT6042IH	586 lb.	109.1
F0267	VRT6050RS	620 lb.	109.1
F0268	VRT6050IS	620 lb.	109.1
F0269	VRT6050RH	620 lb.	109.1
F0270	VRT6050IH	620 lb.	109.1

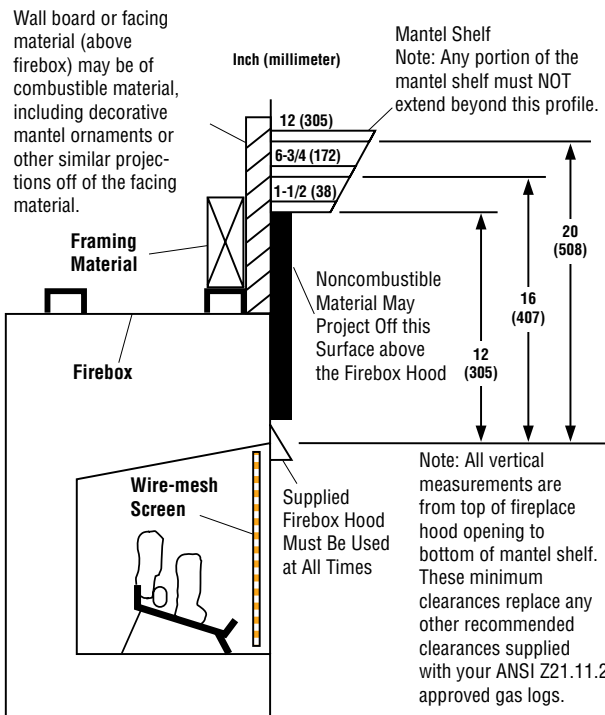
Listing Information



Report No. F09-130

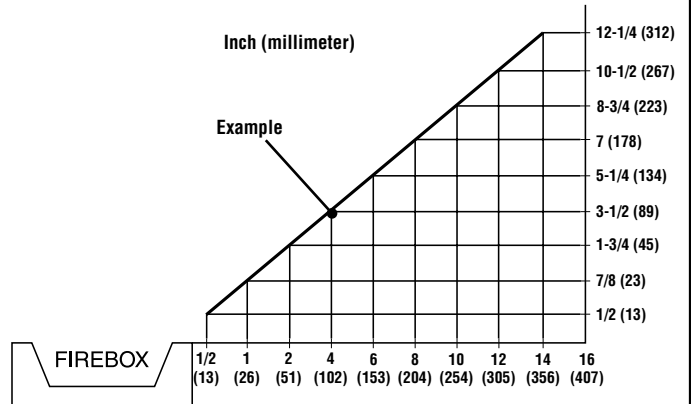
These appliances comply with National Safety Standards and are listed by PFS Corporation to ANSI Z21.11.2 as unvented Gas-fired room heaters.

Clearances



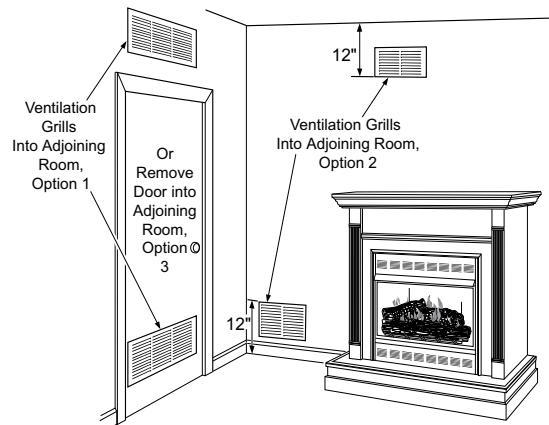
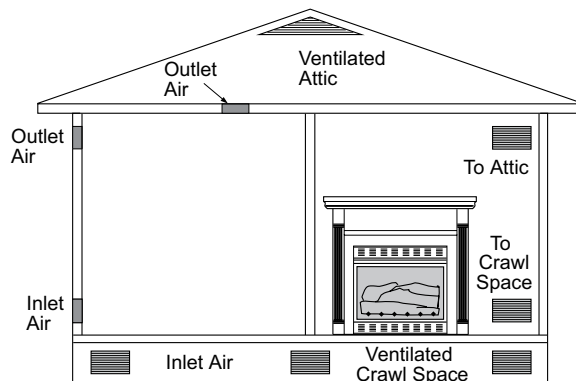
Minimum Wall and Ceiling Clearances (see figure below)

- Clearances from the side of the fireplace cabinet to any combustible material and wall should follow diagram shown here.
Example: The face of a mantel, bookshelf, etc. is made of combustible material and protrudes 3-1/2" from the wall. This combustible material must be 4" from the side of the fireplace cabinet.
- Clearances from the top of the firebox opening to the ceiling should not be less than 42".
- When the firebox is installed directly on carpeting, vinyl tile or other combustible material, other than wood flooring, the firebox should be installed on a metal or wood panel extending the full width and depth of the enclosure.
- Clearances from the bottom of firebox to the floor is 0".



If the home meets certain criteria as defined in the Installation and operation manual, you must provide additional fresh air per the instructions in the manual.

Ventilation



NOTE: DIAGRAMS & ILLUSTRATIONS ARE NOT TO SCALE.

Printed in U.S.A. © 2016 Innovative Hearth Products
P/N 900624-01 REV. NC 04/2016



Specifications and clearances are subject to change without notice. Refer to Installation Manual before installation of these appliances for updated dimensions and instructions.