

# VRT3500 SERIES

VENT-FREE GAS FIREBOXES

**Superior**  
FIREPLACES®



## STANDARD FEATURES

- Available in 36" and 42" radiant smooth-faced model
- 28" tall and full width refractory opening on all models
- White stacked refractory panels (sides, back and hearth with ash lip)
- Optional heat deflection hood (not required)
- Includes mesh fire screens
- Durable textured powder coat finish
- Select from a variety of compatible vent-free log sets and controls (sold separately)
- Optional outside air kit
- Optional blower
- 20 year limited warranty

Compatible with any listed ANSI Z21.11.2 vent-free log set. Choose a Superior vent-free log set for best results.

## LINER



White Stacked



White Herringbone

## COMPATIBLE VENT-FREE GAS LOG SETS



Boulder Mountain



Wild Timber



Rugged Stack

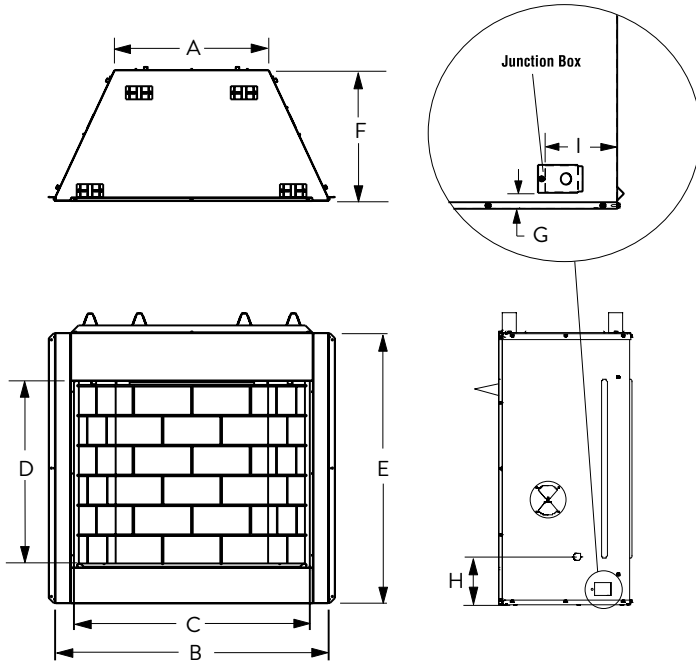


Giant Timbers



Mossy Oak

## APPLIANCE SPECIFICATIONS



	VRT3536	VRT3542
A	23-1/2"	29-1/2"
B	41-3/4"	47-3/4"
C	36"	42"
D	28"	28"
E	41-1/4"	41-1/4"
F	20"	20"
G	1-5/16"	1-5/16"
H	8-3/8"	8-3/8"
I	5-1/2"	5-1/2"

### INTERIOR FIREBOX DIMENSIONS\*

	VRT3536	VRT3142
FRONT WIDTH	35"	41"
REAR WIDTH	23-1/4"	29-1/4"
DEPTH	17-3/8"	17-3/8"
HEIGHT	28"	28"

\* To assist with compatible log size selection

#### IMPORTANT NOTES:

As with any fireplace, this appliance is extremely hot during operation. Read and understand all operating instructions before using this appliance. For further information, consult your dealer.

Local conditions, such as elevation, wind, vent configuration and choice of fuel will affect overall appearance of the fire and heating performance. Performance can also vary with home design and insulation, climate, condition and type of fuel used, appliance location, burn rate, accessories chosen, chimney installation and how the appliance is operated.

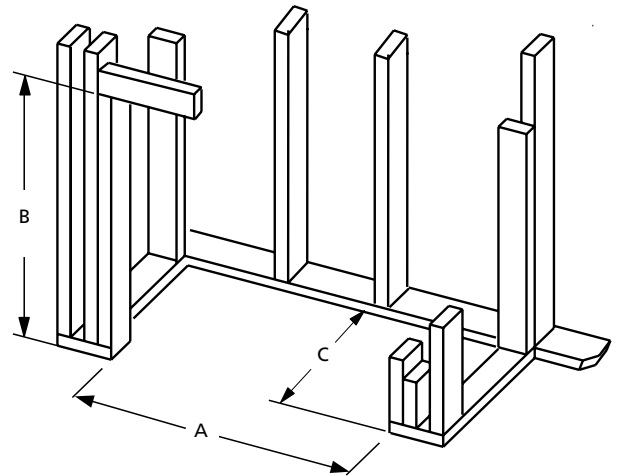
Diagrams, illustrations and photographs are not to scale—consult installation instructions. Product designs, materials, specifications, colors and prices are subject to change or discontinuance without notice.



© 2022 Innovative Hearth Products

785842M 07/22

## FRAMING SPECIFICATIONS



	VRT3536	VRT3542
A	42-1/4"	48-1/4"
B	44-1/4"	44-1/4"
C	20-1/2"	20-1/2"

### OPTIONAL ACCESSORIES



- Decorative twin pane screen door
- Blower kits
- Outside air kits
- Vent-free gas logs

