

DRC6300 SERIES

DIRECT VENT GAS FIREPLACES

Superior
FIREPLACES®



STANDARD FEATURES

- Available in 40" and 45" models
- Gas controls are conveniently hidden to the side of the fireplace opening for easy installation and finishing
- Electronic ignition with battery backup to provide continued operation in the event of a power outage
- Exclusive burner design to generate amazing tall flame
- Flush hearth floor design
- Six flame settings for precise control
- Clean-face design features ceramic glass for optimum heat transfer and a protective screen*
- Beautiful flame that rises through reflective black crushed glass media
- Interior liner consists of full five-piece black reflective porcelain
- Full function remote control (Flame, IPI/CPI)
- Available in dedicated power-vent models (Natural Gas only)
- 20 year limited warranty

*All applicable models comply with ANSI Z21.50/88 barrier requirements.

LINER



Black Porcelain
Interior
(Standard)

MEDIA



Refl. Black
Crushed Glass
(Standard)



Refl. Blue
Crushed Glass



Platinum
Crushed Glass

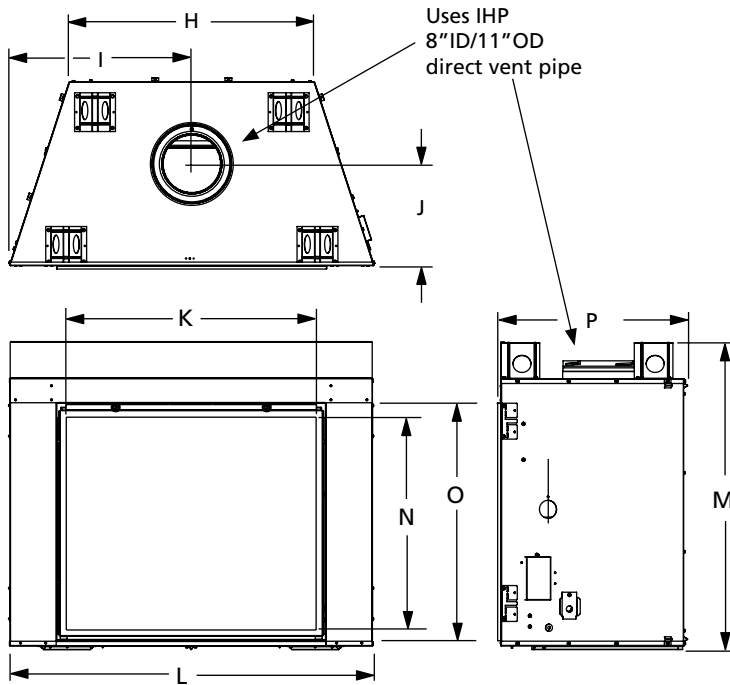
REMOTE



ProFlame II Remote

superiorfireplaces.us.com

APPLIANCE SPECIFICATIONS



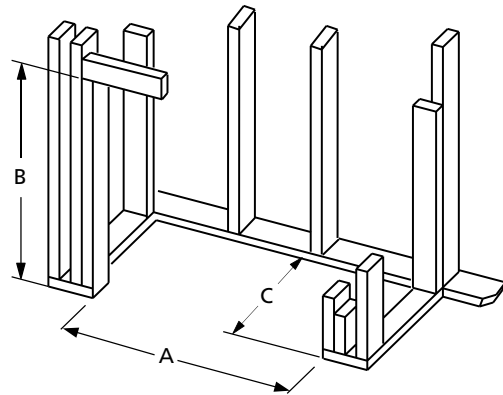
	DRC6340	DRC6345
H	34"	40-1/8"
I	25-5/16"	28-3/8"
J	14-1/8"	14-1/8"
K	34-3/4"	40-59/64"
L	50-5/8"	56-11/16"
M	45"	50"
N	29-9/32"	34-1/2"
O	33-3/32"	38-3/32"
P	26-15/32"	26-15/32"

FIREPLACE EFFICIENCIES — Listed to ANSI Z21.50 as a decorative gas appliance.

MODEL	FUEL	BTU/HR	P4/ENERGUIDE
DRC6340	NG	32,000/50,000	35.8%
DRC6340	LP	32,000/50,000	42.0%
DRC6345	NG	40,000/57,000	47.2%
DRC6345	LP	43,000/56,000	47.0%

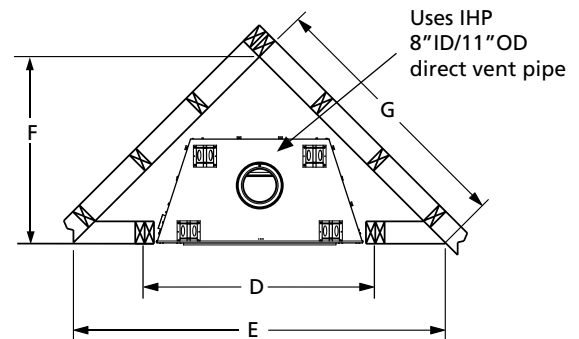
On the Cover: DRC6340 shown with Black Reflective Porcelain liner and optional Platinum glass media.

FRAMING SPECIFICATIONS



	DRC6340	DRC6345
A	50-3/4"	56-7/8"
B	45"	50"
C	26"	26"

CORNER FRAMING SPECIFICATIONS



	DRC6340	DRC6345
D	50-5/8"	56-3/4"
E	83-5/8"	89-7/8"
F	41-7/8"	44-7/8"
G	59-1/8"	63-1/2"

IMPORTANT NOTES:

As with any fireplace, this appliance is extremely hot during operation. Read and understand all operating instructions before using this appliance. For further information, consult your dealer.

Local conditions, such as elevation, wind, vent configuration and choice of fuel will affect overall appearance of the fire and heating performance. Performance can also vary with home design and insulation, climate, condition and type of fuel used, appliance location, burn rate, accessories chosen, chimney installation and how the appliance is operated.

Diagrams, illustrations and photographs are not to scale—consult installation instructions. Product designs, materials, dimensions, specifications, colors and prices are subject to change or discontinuance without notice.



© 2022 Innovative Hearth Products
785828M 03/22

