

Superior
FIREPLACES®
Our name is our promise.



The DRT4000 Series of direct vent gas fireplaces represents affordable craftsmanship. This fireplace series comes standard with superbly designed high-definition logs, brilliant flames and glowing ember bed. The DRT4000 Series also offers a variety of optional accessories that will add more flair to your fireplace to make your home both warm and alluring.



FEATURED DRT4040 shown with Blended Brown Liner

FEATURES

- 🔥 Available in 40" and 45" models
- 🔥 Full-size 21" deep models offer a larger fireplace interior and log arrangement
- 🔥 Combination top/rear flue configuration
- 🔥 Electronic ignition with seamless battery backup provides continued operation in the event of a power outage (IPI/CPI switch standard).
- 🔥 Outstanding heating efficiency for increased comfort and lower operating costs
- 🔥 Standard tempered glass and a protective screen*
- 🔥 Beautifully crafted high-definition ceramic fiber log set with heavy-duty grate
- 🔥 Black painted interior (optional liners available)
- 🔥 Optional blower and touch remote or hand-held remote control available for all models
- 🔥 Durable textured powder coat finish
- 🔥 20 year limited warranty

*All applicable models comply with ANSI Z21.50/88 barrier requirements.



FEATURED DRT4040 shown with Greystone Liner

INTERIOR

Choose from four optional liners (Black Painted Interior is standard).



Porcelain Liner Kit (Black)



Blackstone



Greystone

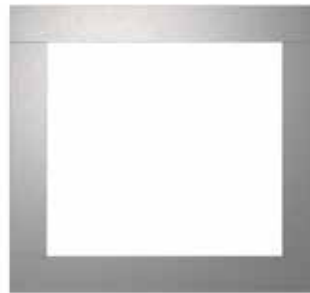


Blended Brown

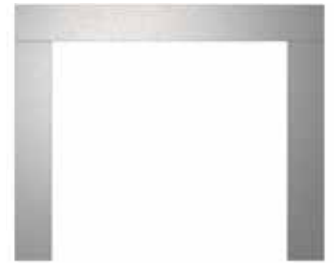
DECORATIVE FACE SURROUNDS

(Optional)

Give your fireplace a truly modern finish with a stainless steel decorative face surround kit.



STAINLESS SURROUND
Four-Sided



STAINLESS SURROUND
Three-Sided

ADDITIONAL ACCESSORIES

- Blower with multiple control options
- Hand-held Remote or Wall Mounted controls

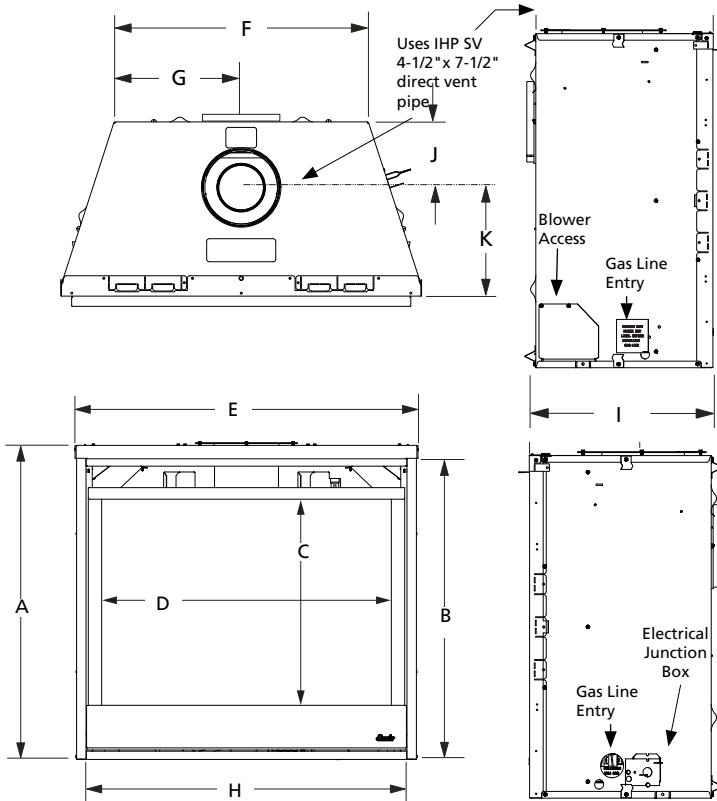


Thermostatic
Remote
(Optional)

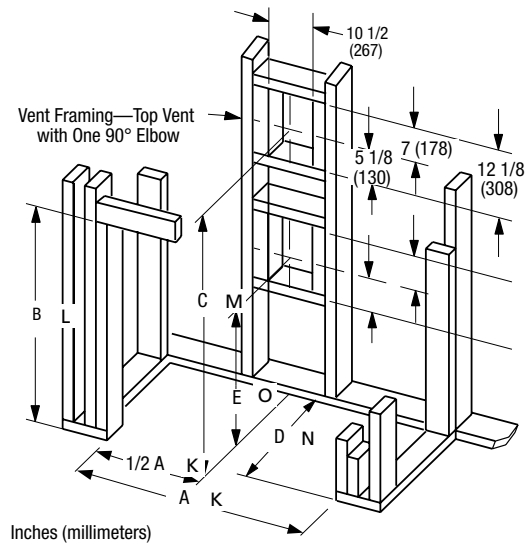


Hand-Held
On/Off
Remote
(Optional)

APPLIANCE SPECIFICATIONS



FRAMING SPECIFICATIONS



	DRT4040	DRT4045
K	40-7/8"	45-7/8"
L	41-1/4"	41-1/4"
M	43-3/4"	43-3/4"
N	23"	23"
O	28-1/4"	28-1/4"

FIREPLACE EFFICIENCIES – Listed to ANSI Z21.88 as a gas fireplace heater.

MODEL	FUEL	BTU/HR	AFUE**	P4 / ENERGYGUIDE*
DRT4040	NG	28,000-20,000	57.8%	57.1%
DRT4040	LP	25,000-18,000	54.9%	58.6%
DRT4045	NG	31,000-21,000	57.6%	59.6%
DRT4045	LP	31,000-20,000	59.5%	62.8%

*Intermittent ignition systems.

**Annual Fuel Utilization Efficiency (AFUE) is the recognized U.S. rating system for the total efficiency of heating products.

	DRT4040	DRT4045
A	37-1/8"	37-1/8"
B	34-5/8"	34-5/8"
C	24-1/2"	24-1/2"
D	34-14"	39-1/4"
E	40-1/4"	45-1/4"
F	30"	35"
G	15"	17-1/2"
H	37-7/8"	42-7/8"
I	6-7/8"	6-7/8"
J	21"	21"

On the cover: DRT4040 shown with Greystone Liner

IMPORTANT NOTES:

As with any fireplace, this appliance is extremely hot during operation. Read and understand all operating instructions before using this appliance. For further information, consult your dealer.

Local conditions, such as elevation, wind, vent configuration and choice of fuel will affect overall appearance of the fire and heating performance. Performance can also vary with home design and insulation, climate, condition and type of fuel used, appliance location, burn rate, accessories chosen, chimney installation and how the appliance is operated.

Diagrams, illustrations and photographs are not to scale—consult installation instructions. Product designs, materials, dimensions, specifications, colors and prices are subject to change or discontinuance without notice.

Superior
FIREPLACES®

© 2020 Innovative Hearth Products

785731M 01/20

PFS
C US
Report #F13-094

