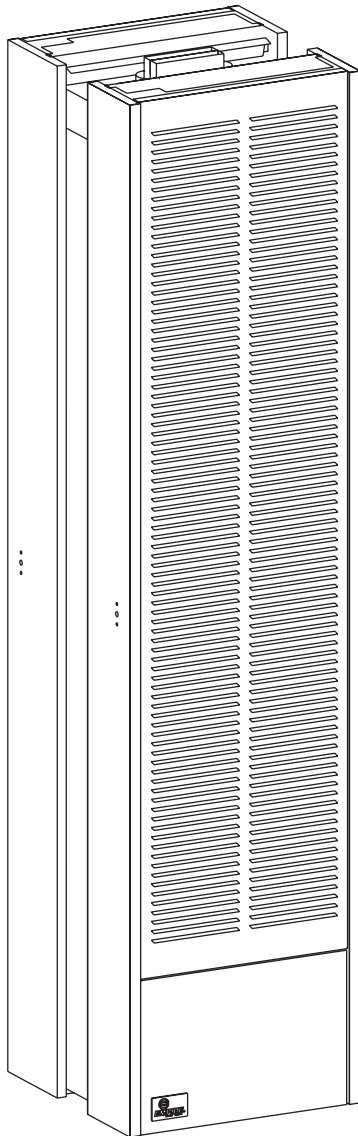




INSTALLATION INSTRUCTIONS AND OWNER'S MANUAL



GRAVITY VENTED DUAL WALL FURNACE

MODEL
GWT-50W-2



Installer: Leave this manual with the appliance.
Consumer: Retain this manual for future reference.

WARNING: If not installed, operated and maintained in accordance with the manufacturer's instructions, this product could expose you to substances in fuel or from fuel combustion which can cause death or serious illness.

WARNING: If the information in these instructions are not followed exactly, a fire or explosion may result causing property damage, personal injury or loss of life.

- Do not store or use gasoline or other flammable vapors and liquids in the vicinity of this or any other appliance.
- **WHAT TO DO IF YOU SMELL GAS**
 - Do not try to light any appliance.
 - Do not touch any electrical switch; do not use any phone in your building.
 - Immediately call your gas supplier from a neighbor's phone. Follow the gas supplier's instructions.
 - If you cannot reach your gas supplier, call the fire department.
- Installation and service must be performed by a qualified installer, service agency or the gas supplier.

TABLE OF CONTENTS

SECTION	PAGE
Important Safety Information	3
Safety Information for Users of LP Gas	4
Introduction	5
Specifications	5
Recommended Vent Configuration	6
Gas Supply.....	7
Clearances	8
Ventilation and Combustion Air	8
Location - All Models	8
Rough-In Instructions	8-9
Finishing Instructions	9-10
Optional On/Off Device	11
Lighting Instructions	12
Vent Safety Shutoff System	13
Proper Main Burner Flame.....	13
Proper Pilot Flame	13
Troubleshooting.....	14
Parts List	15
How To Order Repair Parts	15
Parts View	16
Optional Blower Installation Instructions	17-18
Warranty.....	19

IMPORTANT SAFETY INFORMATION

THIS IS A HEATING APPLIANCE

DO NOT OPERATE THIS APPLIANCE WITHOUT OUTER CASING INSTALLED.

- Due to high temperatures the appliance should be located out of traffic and away from furniture and draperies.
- Children and adults should be alerted to the hazards of high surface temperatures and should stay away to avoid burns or clothing ignition.
- Young children should be carefully supervised when they are in the same room as the appliance.
- Clothing or other flammable material should not be placed on or near the appliance.
- Any safety screen or guard removed for servicing an appliance must be replaced prior to operating the appliance.
- Keep burner and control compartment clean.
- Installation and repair should be done by a **QUALIFIED SERVICE PERSON**. The appliance should be inspected before use and at least annually by a qualified service person. More frequent cleaning may be required due to excessive lint from carpeting, bedding materials, etc. It is imperative that control compartments, burners and circulating air passageways of the appliance be kept clean.
- **DO NOT** put anything around the furnace that will obstruct the flow of combustion and ventilation air.
- **DO** keep the appliance area clear and free from combustible material, gasoline and other flammable vapors and liquids.
- **DO** examine venting system periodically and replace damaged parts.
- **DO** make a periodic visual check of pilot and burners. Clean and replace damaged parts.
- **DO NOT** use this heater if any part has been under water. Immediately call a qualified service technician to inspect the heater and to replace any part of the control system and any gas control which has been under water.
- This furnace must not be connected to a chimney flue serving a separate solid-fuel burning appliance.

SAFETY INFORMATION FOR USERS OF LP-GAS

Propane (LP-Gas) is a flammable gas which can cause fires and explosions. In its natural state, propane is odorless and colorless. You may not know all the following safety precautions which can protect both you and your family from an accident. Read them carefully now, then review them point by

point with the members of your household. Someday when there may not be a minute to lose, everyone's safety will depend on knowing exactly what to do. If, after reading the following information, you feel you still need more information, please contact your gas supplier.

LP-GAS WARNING ODOR

If a gas leak happens, you should be able to smell the gas because of the odorant put in the LP-Gas. That's your signal to go into immediate action!

- Do not operate electric switches, light matches, use your phone. Do not do anything that could ignite the gas.
- Get everyone out of the building, vehicle, trailer, or area. Do that IMMEDIATELY.
- Close all gas tank or cylinder supply valves.
- LP-Gas is heavier than air and may settle in low areas such as basements. When you have reason to suspect a gas leak, keep out of basements and other low areas. Stay out until firefighters declare them to be safe.
- Use your neighbor's phone and call a trained LP-Gas service

person and the fire department. Even though you may not continue to smell gas, do not turn on the gas again. Do not re-enter the building, vehicle, trailer, or area.

- **Finally**, let the service man and firefighters check for escaped gas. Have them air out the area before you return. Properly trained LP-Gas service people should repair the leak, then check and relight the gas appliance for you.

NO ODOR DETECTED - ODOR FADE

Some people cannot smell well. Some people cannot smell the odor of the chemical put into the gas. You must find out if you can smell the odorant in propane. Smoking can decrease your ability to smell. Being around an odor for a time can affect your sensitivity or ability to detect that odor. Sometimes other odors in the area mask the gas odor. People may not smell the gas odor or their minds are on something else. Thinking about smelling a gas odor can make it easier to smell.

The odorant in LP-gas is colorless, and it can fade under some circumstances. For example, if there is an underground leak, the movement of the gas through soil can filter the odorant. Odorants in LP-Gas also are subject to oxidation. This fading can occur if there is rust inside the storage tank or in iron gas pipes. The odorant in escaped gas can adsorb or absorb onto or into

walls, masonry and other materials and fabrics in a room. That will take some of the odorant out of the gas, reducing its odor intensity. LP-Gas may stratify in a closed area, and the odor intensity could vary at different levels. Since it is heavier than air, there may be more odor at lower levels. Always be sensitive to the slightest gas odor. If you detect any odor, treat it as a serious leak. Immediately go into action as instructed earlier.

SOME POINTS TO REMEMBER

- **Learn to recognize the odor of LP-gas.** Your local LP-Gas Dealer can give you a "Scratch and Sniff" pamphlet. Use it to find out what the propane odor smells like. If you suspect that your LP-Gas has a weak or abnormal odor, call your LP-Gas Dealer.
- If you are not qualified, do not light pilot lights, perform service, or make adjustments to appliances on the LP-Gas system. If you are qualified, consciously think about the odor of LP-Gas prior to and while lighting pilot lights or performing service or making adjustments.
- Sometimes a basement or a closed-up house has a musty smell that can cover up the LP-Gas odor. Do not try to light pilot lights, perform service, or make adjustments in an area where the conditions are such that you may not detect the odor if there has been a leak of LP-Gas.
- Odor fade, due to oxidation by rust or adsorption on walls of new cylinders and tanks, is possible. Therefore, people should be particularly alert and careful when new tanks or cylinders are placed in service. Odor fade can occur in new tanks, or reinstalled old tanks, if they are filled and allowed to set too long before refilling. Cylinders and tanks which have been out of service for a time may develop internal rust which will cause odor fade. If such conditions are suspected to exist,

a periodic sniff test of the gas is advisable. **If you have any question about the gas odor, call your LP-gas dealer. A periodic sniff test of the LP-gas is a good safety measure under any condition.**

- If, at any time, you do not smell the LP-Gas odorant and you think you should, assume you have a leak. Then take the same immediate action recommended above for the occasion when you do detect the odorized LP-Gas.
- If you experience a complete "gas out," (the container is under no vapor pressure), turn the tank valve off immediately. If the container valve is left on, the container may draw in some air through openings such as pilot light orifices. If this occurs, some new internal rusting could occur. If the valve is left open, then treat the container as a new tank. Always be sure your container is under vapor pressure by turning it off at the container before it goes completely empty or having it refilled before it is completely empty.

INTRODUCTION

Introduction

Vented wall furnace is shipped ready to install in a 2" x 4" stud wall, with studs 16" (406mm) center to center. Always consult your local Building Department regarding regulations, codes or ordinances which apply to the installation of a vented wall furnace.

Instructions to Installer

1. Installer must leave instruction manual with owner after installation.
2. Installer must have owner fill out and mail warranty card supplied with furnace.
3. Installer should show owner how to start and operate furnace.

Warning:

Any change to this furnace or its control can be dangerous. This is a heating appliance and any panel, door or guard removed for servicing an appliance must be replaced prior to operating the appliance.

To conserve Gas: Turn off pilot when heater is not in use.

General Information

This series is design certified in accordance with American National Standard / CSA Standard Z21.86 and CSA 2.32 by the Canadian Standards Association, as a Vented Wall Furnace and must be installed according to these instructions.

Any alteration of the original design, installed other than as shown in these instructions or use with a type of gas not shown on the rating plate is the responsibility of the person and company making the change.

Important

All correspondence should refer to complete Model No., Serial No. and type of gas.

Notice: During initial firing of this furnace, its paint will bake out and smoke will occur. To prevent triggering of smoke alarms, ventilate the room in which the furnace is installed.

Installation in Residential Garages

Gas utilization equipment in residential garages shall be installed so that all burners and burner ignition devices are located not less than 18" (457mm) above the floor.

Such equipment shall be located, or protected, so it is not subject to physical damage by a moving vehicle.

Qualified Installing Agency

Installation and replacement of gas piping, gas utilization equipment or accessories and repair and servicing of equipment shall be performed only by a qualified agency. The term "qualified agency" means any individual, firm, corporation or company which either in person or through a representative is engaged in and is responsible for (a) the installation or replacement of gas piping or (b) the connection, installation, repair or servicing of equipment, who is experienced in such work, familiar with all precautions required and has complied with all the requirements of the authority having jurisdiction.

State of Massachusetts: The installation must be made by a licensed plumber or gas fitter in the Commonwealth of Massachusetts.

The installation must conform to local codes or, in the absence of local codes, with the *National Fuel Gas Code ANSI Z223.1/NFPA 54* Natural Gas and Propane Installation Code, CSA B149.1.*

**Available from the American National Standards Institute, Inc., 11 West 42nd St., New York, N.Y. 10036.*

High Altitudes

For altitudes/elevations above 2,000 feet (610m), input ratings should be reduced at the rate of 4 percent for each 1,000 (305m) feet above sea level. **Canadian High Altitudes** for locations having an elevation above mean sea level between 2,000 feet (610m) and 4,500 feet (1370m), the manifold pressure is to be decreased from 3.5" w.c. (.871kPa) to 3.0" w.c. (.747kPa) for Natural Gas and from 10.0" w.c. (2.49kPa) to 8.0" w.c. (1.992kPa) for Propane Gas.

SPECIFICATIONS

Model	GWT-50W
Input BTU/HR (KW/H)	50,000 (14.7)
Height	66 1/8" (1679mm)
Width	16" (406mm)
Depth (Out of wall)	6" (152mm)
Gas Inlet Pipe	1/2"
Vent Pipe Type B Oval	4" (102mm)
Accessory	
Blower Package	GWTB2W
GWT-50 (SG, RB) Is a DUAL WALL Furnace. Warmed air is discharged into two rooms which share a common wall.	

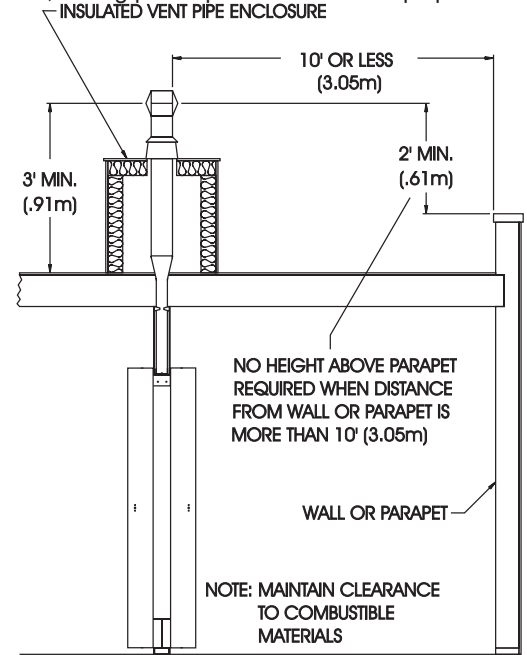
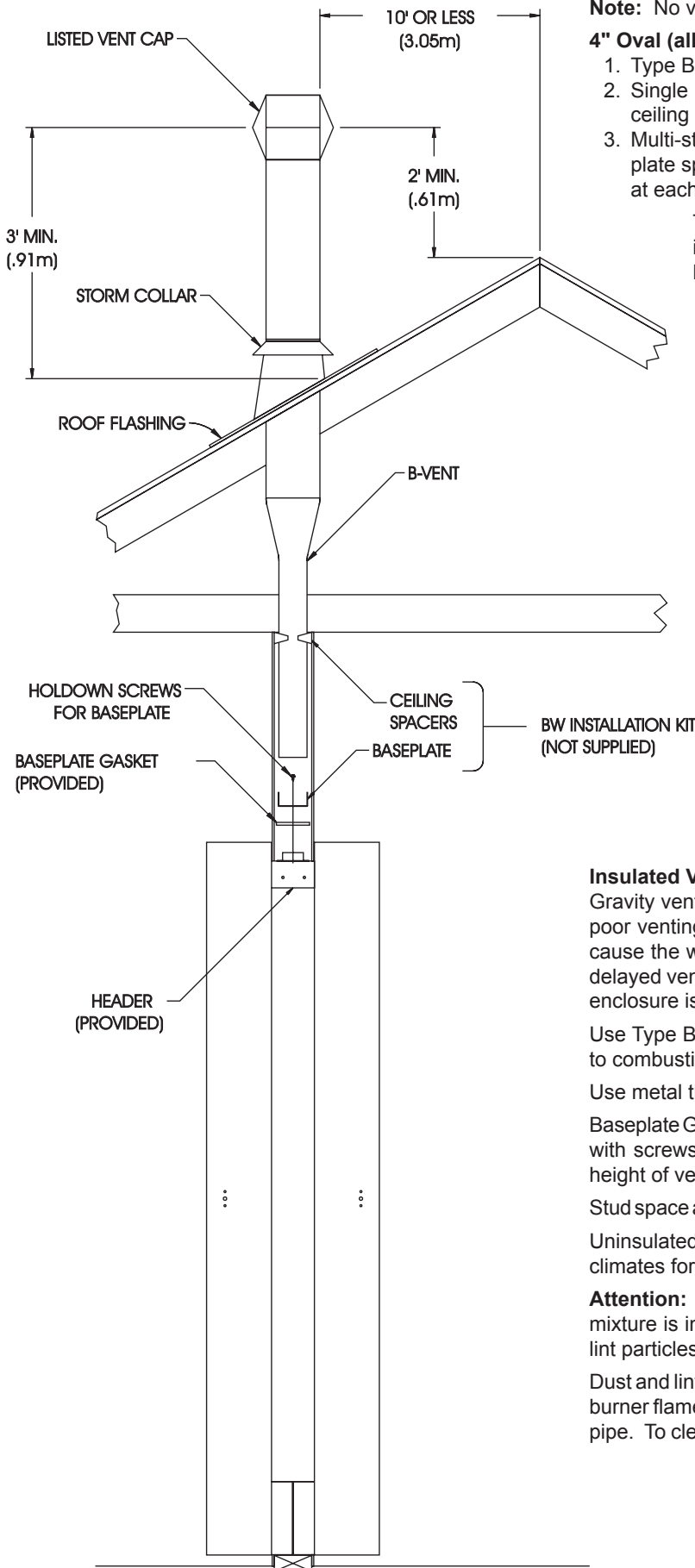
RECOMMENDED VENT CONFIGURATION

Note: No vent equipment supplied with furnace.

4" Oval (all parts purchase locally)

1. Type B-1 oval pipe
2. Single story type B-1 gas vents require a baseplate and one pair of ceiling plate spacers.
3. Multi-story type B-1 gas vents require a baseplate, one pair of ceiling plate spacers at the first floor ceiling and one pair of fire stop spacers at each successive ceiling level.

Type B-W gas vent pipe is available for single story or multi-story installations. Type B-W gas vent pipe is to be used with the Listed base plate, ceiling plate spacers and fire stop spacers.



Insulated Vent Enclosure

Gravity vented wall furnaces installed in buildings with flat roofs can have poor venting. The cold vent pipe will have a delay in proper venting and cause the wall furnace to shut "off" by the vent safety switch. To prevent delayed venting as well as condensation of flue products an insulated vent enclosure is recommended.

Use Type B vent pipe and maintain at least a one inch (25mm) clearance to combustibles.

Use metal thimble to protect vent pipe as it passes through combustibles.

Baseplate Gasket is factory installed on header. Baseplate attaches to header with screws. B-vent snaps into and is attached to baseplate. Minimum height of vent pipe must be six feet (1.8m) above header.

Stud space around gas vents must be free of obstructions and building paper.

Uninsulated Single-Wall Metal Pipe shall not be used outdoors in cold climates for venting gas utilization equipment.

Attention: The main burner uses room air for combustion. As the gas/air mixture is injected into the main burner, there is also the flow of dust and lint particles into the main burner.

Dust and lint accumulation inside the main burner will result in a yellow main burner flame and possible sooting inside the combustion chamber and vent pipe. To clean main burner refer to Page 13, "Proper Main Burner Flame."

GAS SUPPLY

Check all local codes for requirements, especially for the size and type of gas supply line required.

Recommended Gas Pipe Diameter

Pipe Length 0-3 meters	Schedule 40 Pipe Inside Diameter		Tubing, Type L Outside Diameter	
	Nat.	L.P.	Nat.	L.P.
0-10 feet	1/2"	3/8"	1/2"	3/8"
10-40 feet	1/2"	1/2"	5/8"	1/2"
40-100 feet	1/2"	1/2"	3/4"	1/2"
100-150 feet	3/4"	1/2"	7/8"	3/4"

Note: Never use plastic pipe. Check to confirm whether your local codes allow copper tubing or galvanized.

Note: Since some municipalities have additional local codes, it is always best to consult your local authority and installation code.

Check all local codes for requirements, especially for the size and type of gas supply line required. On Natural gas lines less than 15' (4.57m) long, use 1/2" pipe; on longer runs, use 3/4" iron pipe or equal. On LP gas lines please consult LP gas supplier.

Installing a New Main Gas Cock

Each appliance should have its own manual gas cock.

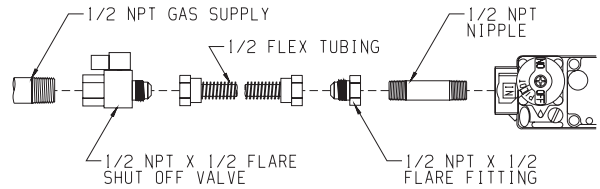
A manual main gas cock should be located in the vicinity of the unit. Where none exists, or where its size or location is not adequate, contact your local authorized installer for installation or relocation.

Compounds used on threaded joints of gas piping shall be resistant to the action of liquefied petroleum gases. The gas lines must be checked for leaks by the installer. This should be done with a soap solution watching for bubbles on all exposed connections, and if unexposed, a pressure test should be made.

Never use an exposed flame to check for leaks. Appliance must be disconnected from piping at inlet of control valve and pipe capped or plugged for pressure test. Never pressure test with appliance connected; control valve will sustain damage!

A gas valve and ground joint union should be installed in the gas line upstream of the gas control to aid in servicing. It is required by the National Fuel Gas Code that a drip line be installed near the gas inlet. This should consist of a vertical length of pipe tee connected into the gas line that is capped on the bottom in which condensation and foreign particles may collect.

FLEXIBLE GAS LINE CONNECTION



RIGID GAS LINE CONNECTION

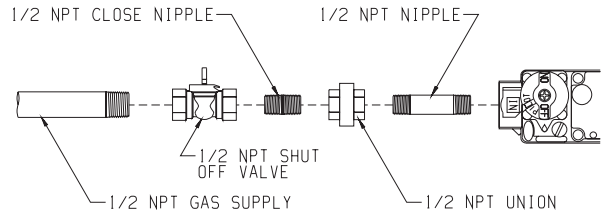


Figure 1

The use of the following gas connectors is recommended:

- ANS Z21.24 Appliance Connectors of Corrugated Metal Tubing and Fittings
- ANS Z21.45 Assembled Flexible Appliance Connectors of Other Than All-Metal Construction

The above connectors may be used if acceptable by the authority having jurisdiction. The state of Massachusetts requires that a flexible appliance connector cannot exceed three feet in length.

Pressure Testing of the Gas Supply System

1. To check the inlet pressure to the gas valve, a 1/8" (3.175mm) N.P.T. plugged tapping, accessible for test gauge connection, must be placed immediately upstream of the gas supply connection to the appliance.
2. The appliance and its individual shutoff valve must be disconnected from the gas supply piping system during any pressure testing of that system at test pressures in excess of 1/2 psig (3.5 kPa).
3. The appliance must be isolated from the gas supply piping system by closing its individual manual shutoff valve during any pressure testing of the gas supply piping system at test pressures equal to or less than 1/2 psig (3.5 kPa).

Attention! If one of the procedures results in pressures in excess of 1/2 psig (14" w.c.) (3.5 kPa) on the appliance gas valve, it will result in a hazardous condition.

Checking Manifold Pressure

Both Propane and Natural gas valves have a built-in pressure regulator in the gas valve. Natural gas models will have a manifold pressure of approximately 3.5" w.c. (.871kPa) at the valve outlet with the inlet pressure to the valve from a minimum of 4.5" w.c. (1.120kPa) for the purpose of input adjustment to a maximum of 10.5" w.c. (2.614kPa). Propane gas models will have a manifold pressure approximately 10.0" w.c. (2.49kPa) at the valve outlet with the inlet pressure to the valve from a minimum of 11.0" w.c. (2.739kPa) for the purpose of input adjustment to a maximum of 13.0" w.c. (3.237kPa).

A 1/8" (3.175mm) N.P.T. plugged tapping, accessible for test gauge connection, is located on the outlet side of the gas control.

CLEARANCES

1. In selecting a location for installation, it is necessary to provide adequate accessibility clearances for servicing and proper installation.
2. Clearances to combustible surfaces are 4" (102mm) from sides, 12" (305mm) to top, 1 1/2" (38mm) from floor.

NOTE: Minimum distance of 1 1/2" (38mm) must also be maintained

from top surface of carpeting, tile, etc.

VENTILATION AND COMBUSTION AIR

Wall furnaces shall be installed in a location in which the facilities for ventilation permit satisfactory combustion of gas and proper venting under normal conditions. In buildings of conventional frame, brick, or stone construction without tight storm windows and doors, infiltration is normally adequate to provide air for combustion and draft hood dilution.

Where appliances are installed in confined and unconfined spaces within a building, the building being of unusually tight construction, air for combustion and ventilation must be obtained directly from outdoors or from such spaces that freely communicate with the outdoors. Under these conditions, the confined and unconfined spaces shall be provided with two permanent openings, one near the top of the enclosure and one near the bottom; each opening shall have a free area of not less than one square inch (6.45cm²) per 2,000 BTU (.6KW/H) per hour of total input.

LOCATION - ALL MODELS

Select a location near the center of the space to be heated. Overflow heat will circulate through doorways into adjacent rooms.

For large homes or spread-out floor plans, two or more furnaces are recommended. Do not locate furnace where a door could swing over the outer casing, or where circulation could be retarded by furniture or cabinets.

Do not install in a closet, alcove or small hallway where the furnace could be isolated by closing doors to the heated space.

When location is selected, check the walls, attic and roof to make

sure there are no obstructions such as pipes, electric wiring, etc., which would interfere with the installation of the furnace or vent pipe.

NOTE: If Optional Blower is to be used, hard wiring must be completed for the optional blower prior to installation of header plate.

ROUGH-IN INSTRUCTIONS

Provide an opening in the wall 14 1/2" (368mm) wide and 66 1/8" (168cm) high measured from top of floor plate (See Figure 2 and Figure 3). Wall depth is to be 2" x 4" framing with 1/4" (6.5mm) to 5/8" (16mm) sheathing. Attach baseplate (not supplied with furnace) to header plate with sheet metal screws at each end. Attach 4" (102mm) oval, double wall vent pipe to baseplate. Attach enough vent pipe so that when installed in wall opening the vent pipe will extend above the ceiling plate by at least 6" (152mm). Install ceiling spacers according to manufacturer's instructions. Two header extensions are attached to the header plate. One header extension is welded to the header plate and one header extension is screwed to the header plate. To install header plate into wall opening remove the header extension that is screwed to the header plate (2 screws).

Insert header plate with attached 4" oval, double wall vent pipe into wall opening. Position header plate at height shown in Figure 2. Locate rear edge of nailing flange at the back of the 2" x 4" stud which will center the vent collar in the wall. Locate the angled edge of header plate flush with the top of the wall opening. Nail header plate to the wall studs. Replace and attach header extension onto header plate with 2 screws.

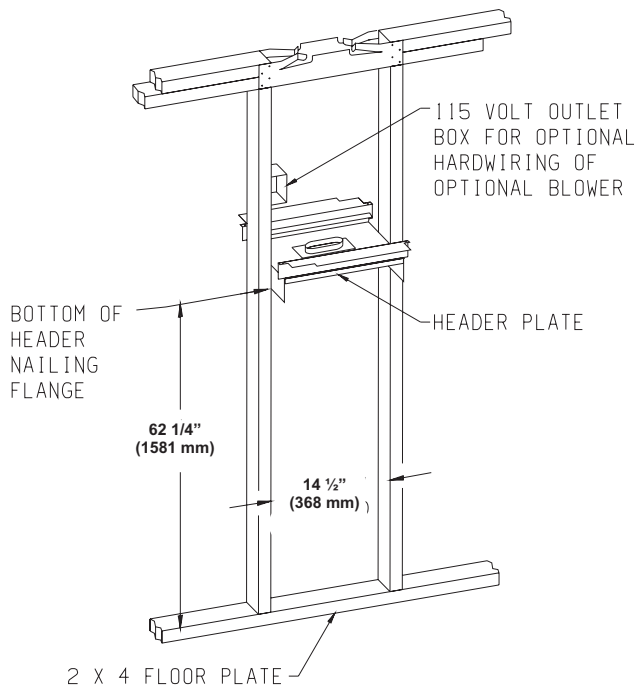


Figure 2

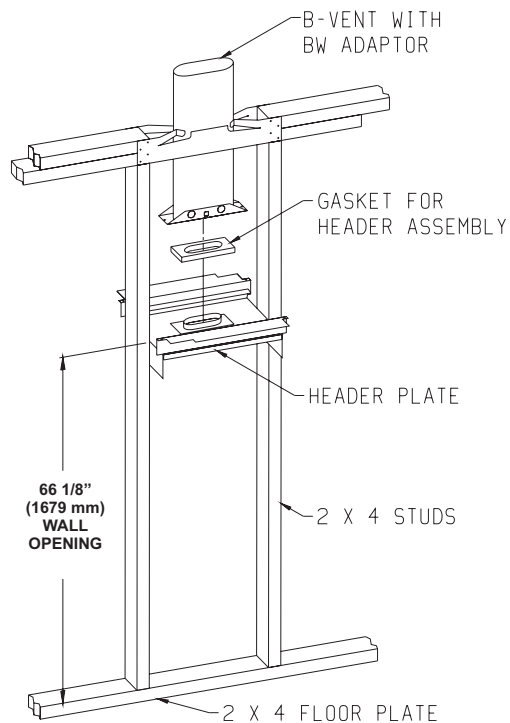


Figure 3

FINISHING INSTRUCTIONS

Plastering (Figure 4)

In new construction use only plain (not perforated) gypsum lath around furnace and vent pipe so that plaster "Keys" will not project into wall space.

Use wood strips nailed to inside of studs and top of bottom plate. These must be removed before installation of furnace. Lath and plaster against top projection of Header Plate.

Do not allow wall finish materials to project into furnace recess..

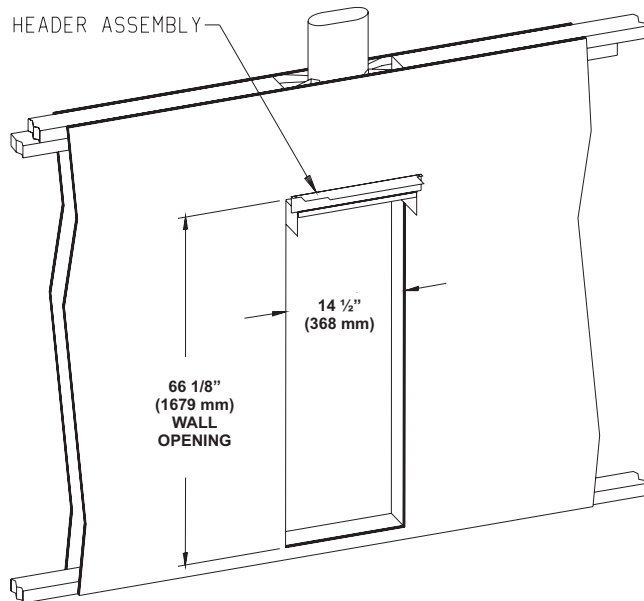


Figure 4

Installing Furnace (Figure 5)

Clear the recess of all debris, and remove any wood plaster-grounds. Stand the furnace on floor in front of wall opening.

Insert furnace flue into rectangular opening in header plate and raise furnace carefully (see Figure 5). Swing bottom of furnace into wall opening with back of legs flush with rear of floor plate. Secure furnace support legs to the floor plate.

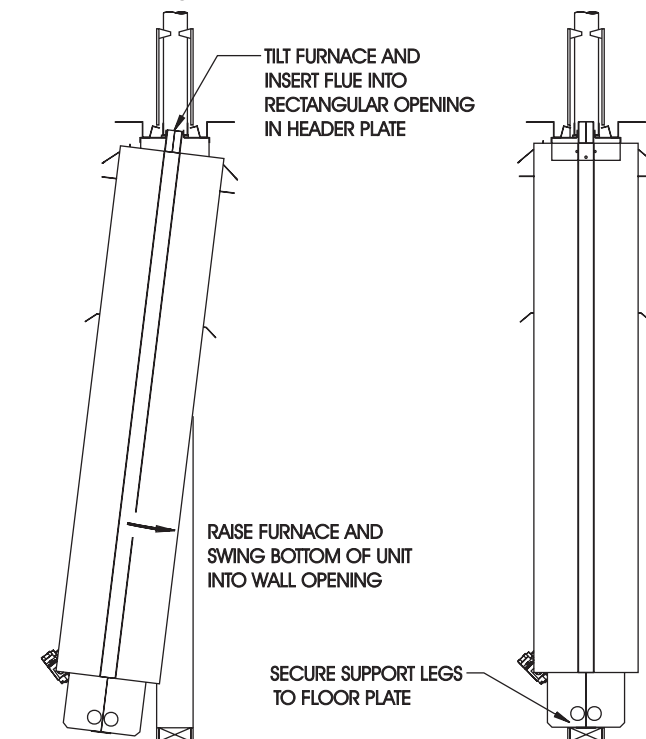


Figure 5

FINISHING INSTRUCTIONS (continued)

IMPORTANT — Avoid securing too tightly and disturbing the inner casing. Do not try to force furnace into a wall opening which is smaller than specified dimension.

OUTER CASING (Figure 6)

1. Align 1 3/4" slot on casing bracket with bottom screw hole on inner casing. Attach casing bracket to inner casing with one (1) 10 x 1/2" screws for each casing bracket. Do not completely tighten screws at this time.
2. Place outer casing onto header.

Attention: Use center clearance hole on outer casing top for attachment to header with one (1) 8 x 3/8" Phillips screw **when optional blower is not installed.**

Attention: Use outside clearance holes on outer casing top for attachment to header with two (2) 8 x 3/8" Phillips screws **when optional blower is installed.**
3. Align clearance holes on outer casing bottom with screw holes on casing brackets by adjusting slots on casing brackets.
4. Complete tightening casing bracket screws from Step 1 to inner casing at this time.
5. Attach outer casing to casing brackets with two (2) 10 x 1-1/2" screws.

INSTALLING CONTROL DOOR

Attach two washers supplied in hardware package to pivot pins located at bottom of control door. Install control door to outer casing assembly.

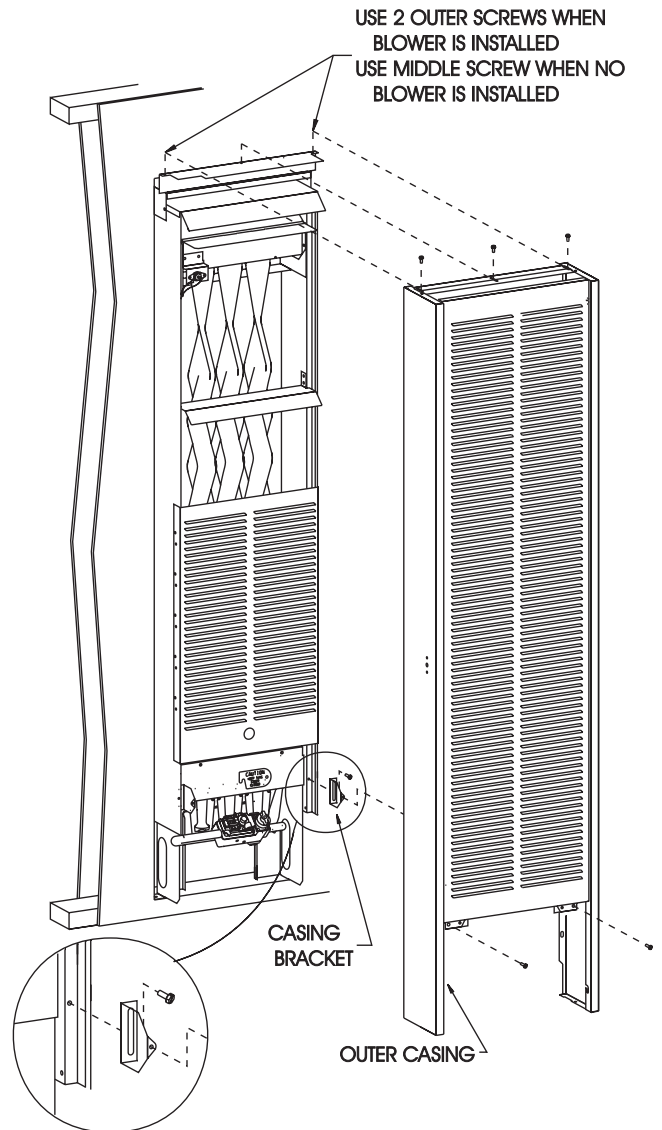


Figure 6

OPTIONAL ON/OFF DEVICE(SG MODELS)

CAUTION — Do not run wire behind flanges of Header Plate or in any location where it might be damaged.

Millivolt wall on/off device is specially designed for use on self-generating systems. They should **never** be used on **line** or **low** voltage A.C. circuits.

Installing the ON/OFF Device

To install an ON/OFF device (such as a wall switch, remote, toggle switch, or thermostat), remove the wire nut from the two wires from the valve. Run additional wire from the valve wires to the ON/OFF device. Install the ON/OFF device in the same room as the furnace following the installation instructions supplied with it. In the absence of instructions, install the ON/OFF device 4 to 5 feet above the floor on an interior wall not affected by another heating source (i.e. stove or water heater) or the temperature of an adjoining room.

Proper operation depends on a good pilot flame. The flame must cover the top of the thermopile. Cleaning of the pilot orifice and burner may be required due to spiders.

System Check (Figure 7)

A millivolt meter is required to check the system. Millivolt readings should be:

- Across the thermopile terminals, 400-450 millivolts with heater OFF.
- Across the thermopile terminals, 150-250 millivolts with heater ON.
- Across the heater wires at the valve, less than 30 millivolts with heater ON.

To conserve Gas: Turn off pilot when heater is not in use.

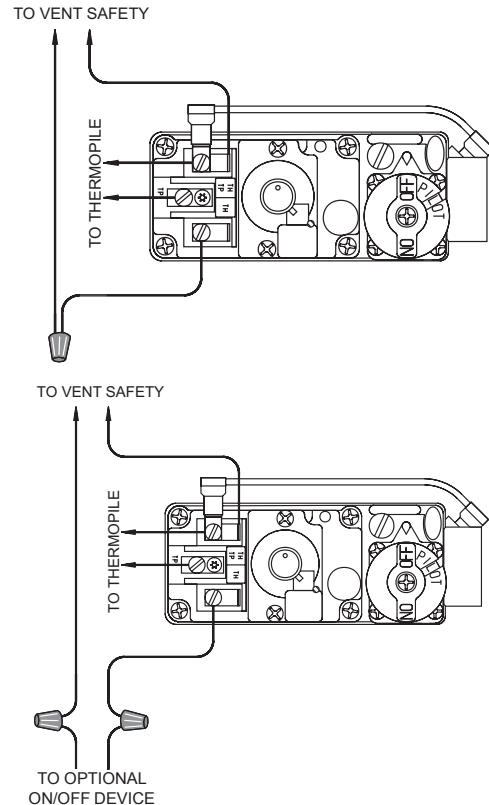


Figure 7


LIGHTING INSTRUCTIONS

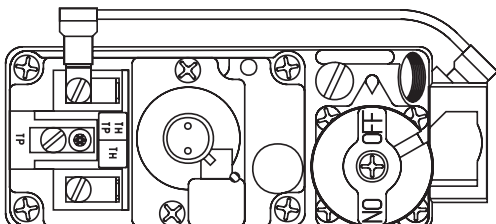
FOR YOUR SAFETY READ BEFORE LIGHTING

WARNING: If you do not follow these instructions exactly, a fire or explosion may result causing property damage, personal injury or loss of life.

- A. This appliance has a pilot which must be lighted by hand. When lighting the pilot, follow these instructions exactly.
- B. **BEFORE LIGHTING** smell all around the appliance area for gas. Be sure to smell next to the floor because some gas is heavier than air and will settle on the floor.
- WHAT TO DO IF YOU SMELL GAS**
- Do not try to light any appliance.
 - Do not touch any electrical switch; do not use any phone in your building.
 - Immediately call your gas supplier from a neighbor's phone. Follow the gas supplier's instructions.
 - If you cannot reach your gas supplier, call the fire department.
- C. Use only your hand to push in or turn the gas control knob. Never use tools. If the knob will not push in or turn by hand, don't try to repair it; call a qualified service technician. Force or attempted repair may result in a fire or explosion.
- D. Do not use this appliance if any part has been under water. Immediately call a qualified service technician to inspect the appliance and to replace any part of the control system and any gas control which has been under water.


LIGHTING INSTRUCTIONS

1. **STOP!** Read the safety information above.
2. Turn off all electric power to the appliance (if applicable).
3. Remove control access panel (control door).
4. Push in gas control knob slightly and turn clockwise  to "OFF."

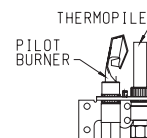



GAS CONTROL KNOB SHOWN IN "OFF" POSITION

NOTE: Knob cannot be turned from "PILOT" to "OFF" unless knob is pushed in slightly. Do not force.


5. Wait ten (10) minutes to clear out any gas. Then smell for gas, including near the floor. If you smell gas, **STOP!** Follow "B" in the safety information above. If you don't smell gas, go to the next step.
6. Find pilot - follow metal tube from gas control. The pilot is mounted on front of main burner.
7. Turn gas control knob counterclockwise  to "PILOT."

8. Push in control knob all the way and hold in. Immediately light the pilot with a match. Continue to hold the control knob in for about one (1) minute after the pilot is lit. Release knob and it will pop back up. Pilot should remain lit. If it goes out, repeat steps 5 through 9.



- If knob does not pop up when released, stop and immediately call a qualified service technician or gas supplier.
 - If the pilot will not stay lit after several tries, turn the gas control knob to "OFF" and call your service technician or gas supplier.
9. Turn gas control knob counterclockwise  to "ON."
 10. Replace control access panel (control door).
 11. Turn on all electric power to the appliance (if applicable).

TO TURN OFF GAS TO APPLIANCE

1. Turn off all electric power (if applicable) to appliance if service is to be performed.
2. Remove control access panel (control door).
3. Push in gas control knob slightly and turn clockwise  to "OFF." Do not force.
4. Replace control access panel (control door).

VENT SAFETY SHUTOFF SYSTEM

This appliance must be properly connected to a venting system. This appliance is equipped with a vent safety shutoff system.

Warning: Operation of this wall furnace when not connected to a properly installed and maintained venting system or tampering with the vent safety shutoff system can result in carbon monoxide (CO) poisoning and possible death.

This furnace is equipped with a manual reset vent safety switch. The manual reset vent safety switch will cause gas flow to the main burner to "shut off" due to improper venting or a blocked flue.

To reset the manual reset vent safety switch:

1. Remove outer casing.
2. Depress manual reset button. The manual reset vent safety switch is located on the draft diverter.
3. Replace outer casing.

If the manual reset vent safety switch continues to "shut off" the gas flow to the main burner a qualified service person must be contacted to inspect for improper venting, blockage in the vent pipe or the manual reset vent safety switch for being defective.

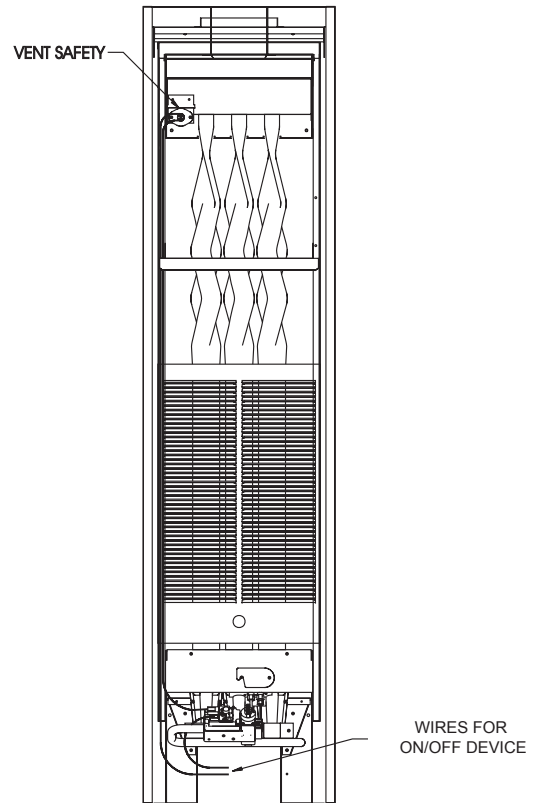


Figure 8

PROPER MAIN BURNER FLAME

The correct flame will be a short blue inner flame with a much larger light blue outer flame. The burner does not have a primary air adjustment. The flame will be proper if the factory-set pressure and orifice are used. After the furnace has begun operating, cleaning of the burner may be needed for proper flame, examine at least 2 times per season.

To clean burner ports, disconnect the gas supply to the valve. Remove the burner assembly from the combustion chamber. Remove pilot burner from main burner and then remove the main burner. Force water into the ports and blow dry with vacuum cleaner air, or low pressure compressed air.

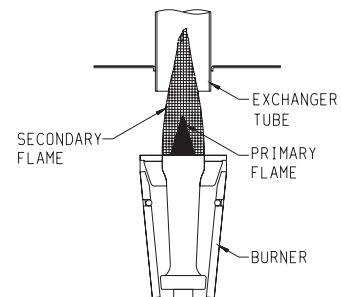


Figure 9

PROPER PILOT FLAME

The correct flame will be blue, extending past the thermopile. The flame will surround the thermopile just below its tip.

Natural gas pilots require adjusting when the inlet gas pressure is above 5" w.c. (1.245kPa). Remove the pilot cover screw on the control valve and turn the adjustment screw clockwise to reduce flame. Replace pilot cover screw to eliminate gas leaking at that control valve opening. LP gas (propane) will not require adjustment.

After use, cleaning may be required for the proper flame.

Examine the pilot flame before and during each heating season.

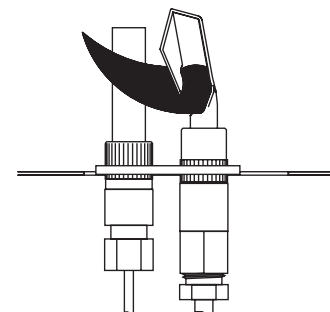


Figure 10

TROUBLESHOOTING

GENERAL All furnaces have been fire-tested to check for proper operation. This includes main burner flame, pilot flame, and gas control operation. If the furnace fails to function on initial installation, it is advisable to re-check the following:

1. Inlet gas pressure.
2. Type of gas being used and that shown on the rating plate.

Contact your Empire Dealer to assist in servicing furnace.

Servicing the Pilot and Main Burner, Pilot Orifice, Thermopile and Main Burner Orifice

Disconnect the gas supply at the inlet to the control valve. Remove the burner assembly to which the above components are attached.

Pilot Does Not Light

With air in the gas line, such as when the furnace is first installed or was "OFF" all summer, the pilot flame may be too lean to ignite on the first few trials. Turn the gas control knob to PILOT position and depress the gas control knob. Hold the gas control knob down to bleed the line;

1. Use lighter rod to light pilot with a match.

If Pilot Does Not Light By Any Means

1. Check gas control knob for being in the "Pilot" position.
2. Check pilot adjustment for being full open (counterclockwise to open).
3. If gas is available in the supply tubing, the pilot orifice and/or pilot burner is probably restricted by a spider web. Clean pilot assembly and relight.

If Pilot Does Not Remain "On" After Releasing Gas Control Knob

1. Follow instructions and hold gas control knob down longer and harder.
2. Determine if pilot flame extends past thermopile; if not, adjust

pilot flame or clean pilot burner.

3. Replace thermopile if millivolt reading is less than 300 millivolts when wall mounted on/off device or remote bulb is turned OFF. Replace gas control if magnet dropout millivolt reading is over 100 millivolts.

Pilot Outage During Normal Operation

1. Check input by manifold pressure gauge or gas meter.
2. Check millivolt output when furnace is in operation. If millivolt output decreases during furnace operation gas control may be defective.

Main Gas Valve Does Not Open When ON/OFF Device Is Turned "On"

1. Check millivolt output of thermopile.
2. Device wires may be broken.
3. Device may be defective.

PARTS LIST

ATTENTION: When ordering parts, it is very important that **part number** and **description** of part coincide.

INDEX NO.	PART NO.	DESCRIPTION
1	WFA-115	HEADER GASKET
2	36324	HEADER ASSEMBLY (INCLUDES NO. 1, GASKET)
3	GWT-184	INNER CASING ASSEMBLY
4	GWT-151	DIVERTER ASSEMBLY (2 REQUIRED)
5	GWT-020	FRONT SHIELD (2 REQUIRED)
6	GWT-077	HEAT SHIELD (2 REQUIRED)
7	36328	CASING FRONT ASSEMBLY (2 REQUIRED) (INCLUDES #11)
8	GWT-186	CASING BRACKET (4 REQUIRED)
9	36321	CASING DOOR ASSEMBLY (2 REQUIRED)
10	R-885	NYLON WASHER (4 REQUIRED)
11	R-3763	MAGNET (4 REQUIRED)
12	DV-064	COVER PLATE (2 REQUIRED)
13	GWT-008	BURNER COMPARTMENT FRONT (2 REQUIRED)
14	R-3046	VENT SAFETY SWITCH
15	R-3038-A	ECO LEAD ASSEMBLY
16	26466	EXCHANGER ASSEMBLY - REAR
17	26465	EXCHANGER ASSEMBLY - FRONT
18	R-3036	PILOT - NAT
18	R-3037	PILOT - LPG
19	R-1054	THERMOPILE
20	GWT-096	BURNER BRACKET ASSEMBLY
21	R-5245	GAS VALVE - NAT
21	R-5246	GAS VALVE - LPG
22	R-3031	BURNER (6 REQUIRED)

INDEX NO.	PART NO.	DESCRIPTION
23	P-88-55	BURNER ORIFICE - NAT (6 REQUIRED)
23	P-88-65	BURNER ORIFICE - LPG (6 REQUIRED)
24	GWT-014	AIR SHUTTER FRONT - LPG (2 REQUIRED)
25	GWT-015	AIR SHUTTER REAR - LPG (2 REQUIRED)
26	GWT-054	AIR SHUTTER BOTTOM - LPG (2 REQUIRED)
27	23906	VALVE SHIELD
28	36354	CASING ASSEMBLY COMPLETE (INCLUDES #7, #9 AND TWO #10)
29	24752	LOWER SHIELD
30	29011	EXCHANGER TUBE ASSEMBLY
NOT SHOWN	GWT-099	PILOT TUBING
NOT SHOWN	R-3178	PILOT ORIFICE (HONEYWELL K14 .014 LPG ONLY)
NOT SHOWN	R-3179	PILOT ORIFICE (HONEYWELL A26 .026 NAT ONLY)
NOT SHOWN	R-734	MATCH HOLDER
NOT SHOWN	GWT-190	HARDWARE PACKAGE (2 REQUIRED)

USE ONLY MANUFACTURER'S REPLACEMENT PARTS. USE OF ANY OTHER PARTS COULD CAUSE INJURY OR DEATH.

HOW TO ORDER REPAIR PARTS

Parts can be ordered **only** through your **service person or dealer**. For best results, the **service person or dealer** should order parts through the distributor. Parts can be shipped directly to the **service person/dealer**.

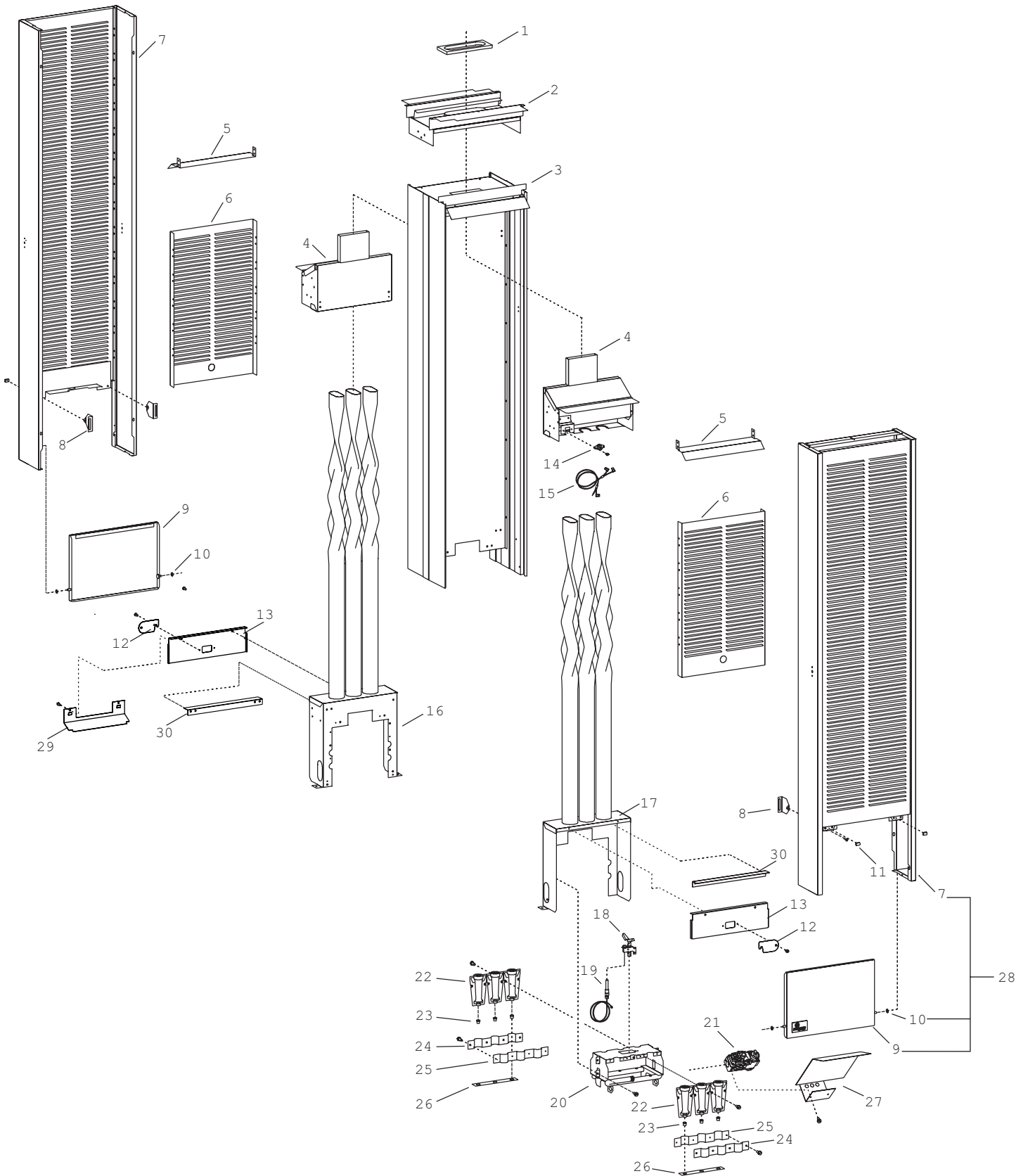
All parts listed in the Parts List have a Part Number. When ordering parts, first obtain the Model Number from the name plate on your equipment. Then determine the Part Number (**not** the Index Number) and the Description of each part from the following appropriate illustration and list. Be sure to give all this information.

Furnace Model Number _____ Part Description _____
 Furnace Serial Number _____ Part Number _____
 Type of Gas (Propane or Natural) _____

Do not order bolts, screws, washers or nuts. They are standard hardware items and can be purchased at any local hardware store.

Shipments contingent upon strikes, fires and all causes beyond our control.

PARTS VIEW



OPTIONAL BLOWER INSTALLATION INSTRUCTIONS

GWTB2W-1 FOR MODELS GWT-25W, GWT-35W, GWT-50W

Installing Blower Using Three-Prong Plug

1. Install furnace according to Installation Instructions and Owner's Manual.
2. Refer to Drawing for measurements to locate (2) mounting holes on wall surface above furnace.

On Solid Wall

3. After locating mounting holes, attach (2) #10 x 1 1/2" screws provided in blower kit into wall. Do not completely tighten screwheads to wall, leave a 7/16" gap between screwheads and wall.

On Sheet Rock Wall

3. After locating mounting holes, drill (2) 5/16" diameter holes into wall. Insert the (2) plastic expansion anchors into holes. Insert (2) #10 x 1 1/2" screws provided in blower kit into (2) plastic expansion anchors. Do not completely tighten screwhead to plastic expansion anchors, leave a 7/16" gap between screwheads and plastic expansion anchors. Refer to Figure 2.
4. At the top of outer casing remove (1) screw from center clearance hole that attaches outer casing to header assembly. Also, remove (2) screws that attach bottom of outer casing to inner casing.
5. Pull the outer casing forward approximately 1 inch away from wall surface.
6. Remove (4) 8 x 3/8" screws that attach blower front to blower housing.

Caution: When removing blower front be careful not to damage motor coil wires. Damaged coil wires will disable blower function.

7. Position blower housing on top of header assembly and route three-prong cord set between left side of outer casing and inner casing.

Caution: Blower cord set routing is important. Cord set should be in proper location to avoid being overheated. Incorrect routing of cord set may result in damage to cord set.

8. Replace the outer casing to the wall surface.
9. Attach outer casing to header assembly. **Attention:** The center clearance hole will not be used. The two outside clearance holes will be used to attach outer casing to header assembly, (1) screw from Step 4 and (1) screw supplied in hardware package. Refer to Figure 1.

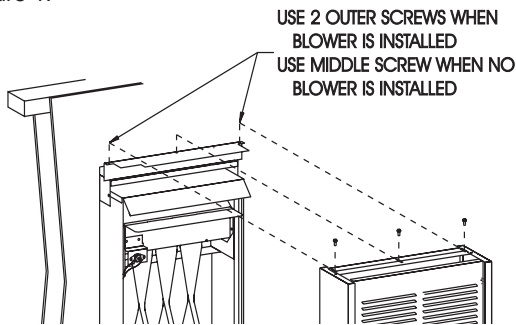


Figure 1

10. Attach outer casing to inner casing with (2) screws from Step 4.
11. Align key hole slots on back of blower housing with the (2) screws attached to wall. Position blower housing flush with wall surface and on top of outer casing. Complete tightening blower housing screws from Step 3 to wall.
12. Attach caps and plugs from blower housing and blower front.
13. Attach blower front to blower housing with (4) 8 x 3/8" screws from Step 6.
14. Installation of optional blower assembly is completed.

Caution: When installing blower housing onto wall be careful motor coil is not damaged.

Installing Blower With Hard Wiring

1. When facing the wall opening, install 120V electrical outlet junction box inside wall opening on left wall stud approximately 12 inches above header plate.
2. Refer to Drawing for measurements to locate access hole for electrical wiring on wall surface.
3. After locating access hole, drill a 1/2" hole into wall.
4. Route enough field wiring from 120V electrical outlet junction box through 1/2" access hole in wall for connection to blower housing.
5. Install furnace according to Installation Instructions and Owner's Manual.
6. Refer to Drawing for measurements to locate (2) mounting holes on wall surface above the furnace.

On Solid Wall

7. After locating mounting holes, attach (2) #10 x 1 1/2" screws provided in blower kit into wall. Do not completely tighten screwheads to wall, leave a 7/16" gap between screwheads and wall.

On Sheet Rock Wall

7. After locating mounting holes, drill (2) 5/16" diameter holes into wall. Insert (2) plastic expansion anchors into holes. Insert (2) #10 x 1 1/2" screws provided in blower kit into (2) plastic expansion anchors. Do not completely tighten screwhead to plastic expansion anchors, leave a 7/16" gap between screwheads and plastic expansion anchors. Refer to Figure 2.

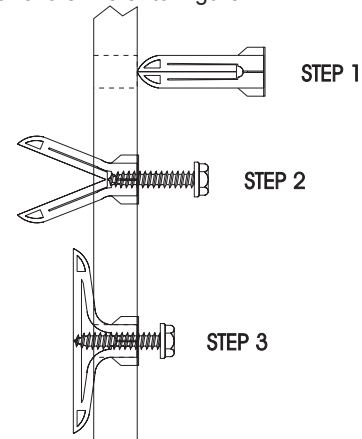


Figure 2

8. Remove three prong cord set from blower housing.
9. Remove (4) 8 x 3/8" screws that attach blower front to blower housing.
10. Position blower housing on top of header assembly.
11. Route 120V field wiring into blower housing through cord set hole on back of blower housing.
12. Refer to wiring diagram to make wiring connections inside blower housing. Be sure to follow all local and National electrical codes when making field wiring connections.
13. Align key hole slots on back of blower housing with (2) screws attached to wall. Position blower housing flush with wall surface and on top of outer casing. Complete tightening blower housing screws from Step 7 to wall.
14. Attach caps and plugs from blower housing and blower front.
15. Attach blower front to blower housing with (4) 8 x 3/8" screws from Step 9.
16. Installation of optional blower assembly is completed.

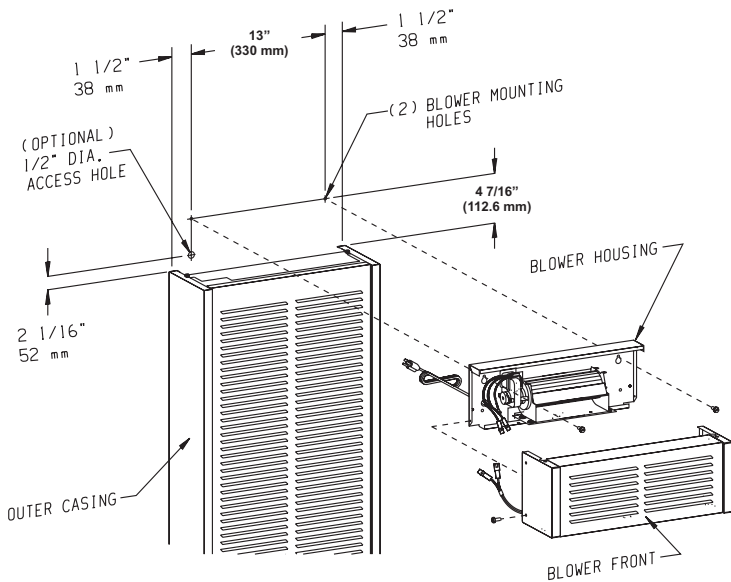


Figure 3

Fan Control

The automatic fan control is located on the bottom of the blower assembly. The fan control is a nonadjustable, automatic type. The fan control will require between 3 and 7 minutes of main burner operation before the fan control "closes" and activates the blower. The blower will continue to run between 3 and 7 minutes after the main burner shuts off, before the fan control "opens" and deactivates the blower.

Wiring

The appliance, when installed, must be electrically grounded in accordance with local codes or, in the absence of local codes, with the *National Electrical Code, ANSI/NFPA 70* or *Canadian Electrical Code, CSA C22.1*, if an external electrical source is utilized. **This appliance is equipped with a three-prong [grounding] plug for your protection against shock hazard and should be plugged directly into a properly grounded three-prong receptacle. Do not cut or remove the grounding prong from this plug.** For an ungrounded receptacle, an adapter, which has two prongs and a wire for grounding, can be purchased, plugged into the ungrounded receptacle and its wire connected to the receptacle mounting screws. With this wire completing the ground, the appliance cord plug can be plugged into the adapter and be electrically grounded.

WARNING:

Unplugging of blower accessory will not stop the heater from cycling. To shut heater off, turn knob on gas control to "OFF", depressing slightly. Do not force.

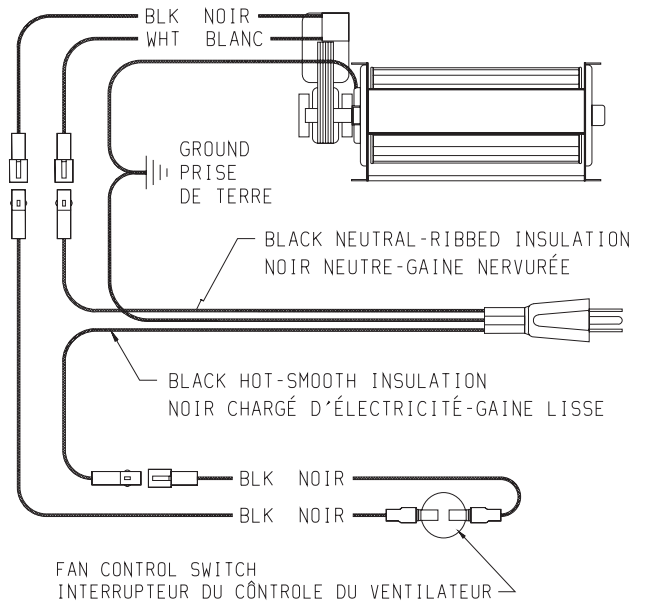
CAUTION:

Label all wires prior to disconnection when servicing controls. Wiring errors can cause improper and dangerous operation. Verify proper operation after servicing.

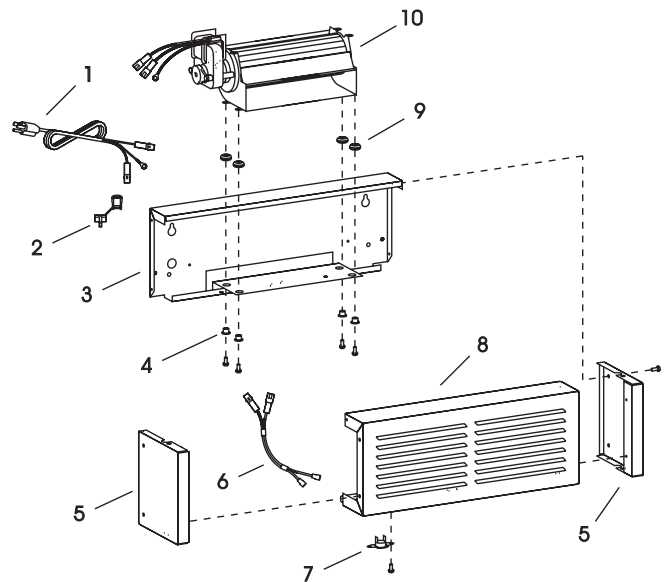
Oiling

The blower motor does not have oiling holes. Do not attempt to oil the blower motor.

GWTB2W WIRING DIAGRAM



IF ANY OF THE ORIGINAL WIRE AS SUPPLIED WITH THIS UNIT MUST BE REPLACED, IT MUST BE REPLACED WITH 125°C WIRE OR ITS EQUIVALENT.
S'IL Y A UN FIL ORIGINAL FOURNI AVEC L'APPAREIL QUI DOIT ÊTRE REMPLACÉ, IL DOIT ÊTRE REMPLACÉ



PARTS LIST

INDEX NO.	PART NO.	DESCRIPTION
1	R-2204	CORD SET
2	8720161	STRAIN RELIEF BUSHING
3	36334	BLOWER HOUSING ASSEMBLY
4	8520142	BRASS BUSHING (4 REQUIRED)
5	36338	BLOWER SIDE (2 REQUIRED)
6	R-3085	WIRE ASSEMBLY
7	R-2503	FAN SWITCH
8	36337	BLOWER FRONT
9	8520141	RUBBER GROMMET (4 REQUIRED)
10	R-2804A	BLOWER MOTOR

WARRANTY

Empire Comfort Systems Inc. warrants this space heating product to be free from defects at the time of purchase and for the periods specified below. Space heating products must be installed by a qualified technician and must be maintained and operated safely, in accordance with the instructions in the owner's manual. This warranty applies to the original purchaser only and is not transferable. All warranty repairs must be accomplished by a qualified gas appliance technician.

Limited Ten-Year Parts Warranty – Combustion Chamber

Empire promises to the owner that if the combustion chamber (see parts list) fails because of defective workmanship or material within ten years from the date of purchase, Empire will repair or replace at Empire's option.

Limited Three-Year Parts Warranty – All Other Components

(Except Remote Controls, Accessories and Replacement Parts)

Should any part fail because of defective workmanship or material within three years from the date of purchase, Empire will repair or replace at Empire's option.

Limited One-Year Parts Warranty – Remote Controls, Accessories, and Parts

Should any remote control, accessory, or other part fail because of defective workmanship within one year from the date of purchase, Empire will repair or replace at Empire's option.

Duties of the Owner

The appliance must be installed by a qualified installer and operated in accordance with the instructions furnished with the appliance. A bill of sale, cancelled check, or payment record should be kept to verify purchase date and establish warranty period. Ready access to the appliance for service.

What Is Not Covered

Damages that might result from the use, misuse, or improper installation of this appliance.

Travel, diagnostic costs and freight charges on warranted parts to and from the factory.

Claims that do not involve defective workmanship or materials.

Unauthorized service or parts replacements.

Removal and reinstallation cost.

Inoperable due to improper or lack of maintenance.

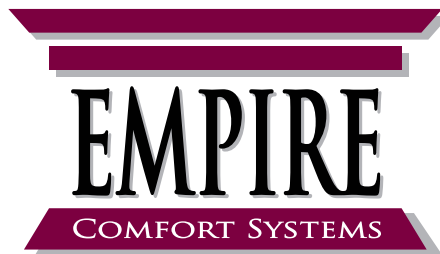
How To Get Service

To make a claim under this warranty, please have your receipt available and contact your installing dealer. Provide the dealer with the model number, serial number, type of gas, and purchase verification. The installing dealer is responsible for providing service and will contact the factory to initiate any warranted parts replacements. Empire will make replacement parts available at the factory. Shipping expenses are not covered.

If, after contacting your Empire dealer, service received has not been satisfactory, contact: Consumer Relations Department, Empire Comfort Systems Inc., PO Box 529, Belleville, Illinois 62222, or send an e-mail to info@empirecomfort.com with "Consumer Relations" in the subject line.

Your Rights Under State Law

This warranty gives you specific legal rights, and you may also have other rights, which vary from state to state.



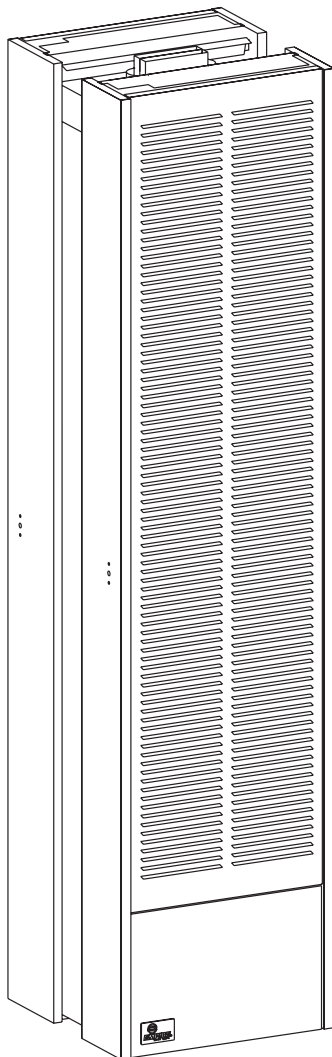
SINCE 1932

**Empire Comfort Systems Inc.
Belleville, IL**

If you have a general question
about our products, please e-mail
us at info@empirecomfort.com.

If you have a service or repair
question, please contact your dealer.

www.empirecomfort.com



FOURNAISE À AIR CHAUD PAR GRAVITÉ POUR MUR MITOYEN

MODÈLES
GWT-50W-2



Installateur: Laissez cette notice avec l'appareil.
Consommateur: Conservez cette notice pour consultation ultérieure.

AVERTISSEMENT: Si l'installation, l'usage et l'entretien de ce produit ne sont pas faits selon les instructions du fabricant, ce produit peut vous exposer à des matières contenues dans le carburant ou provenant de la combustion du carburant lesquelles peuvent causer la mort ou de sérieuses maladies.

AVERTISSEMENT: Assurez vous de bien suivre les instructions données dans cette notice pour réduire au minimum le risque d'incendie ou d'explosion ou pour éviter tout dommage matériel, toute blessure ou la mort.

- Ne pas entreposer ni utiliser d'essence ni d'autres vapeurs ou liquides inflammables dans le voisinage de cet appareil ou de tout autre appareil.
- **QUE FAIRE SI VOUS SENTEZ UNE ODEUR DE GAZ:**
 - Ne pas tenter d'allumer d'appareil.
 - Ne touchez à aucun interrupteur. Ne pas vous servir des téléphones se trouvant dans le bâtiment où vous vous trouvez.
 - Appelez immédiatement votre fournisseur de gaz depuis un voisin. Suivez les instructions du fournisseur.
 - Si vous ne pouvez rejoindre le fournisseur de gaz, appelez le service des incendies.
- L'installation et l'entretien doivent être assurés par un installateur ou un service d'entretien qualifié ou par le fournisseur de gaz.

TABLE DES MATIÈRES

SECTION	PAGE
Information Importante de Sécurité	3
Information de Sécurité pour les Utilisateurs de Propane	4
Introduction	5
Spécifications.....	5
Recommended Vent Configuration	6
Alimentation en Gaz.....	7
Espaces Libres.....	8
Air de Ventilation et de Combustion	8
Emplacement - Pour Tous les Modèles	8
Instructions Sommaires	8-9
Instructions pour la Finition	9-10
Installation d'un dispositif de marche/arrêt (Modèles SG)	11
Instructions d'Allumage.....	12
Le Système de Fermeture de Sûreté de l'Évent	13
Aspect Convenable de la Flamme du Brûleur Principal	13
Aspect Convenable de la Flamme de la Veilleuse.....	13
Détection des Défectuosités	14
Listes des Pièces.....	15
Façon de Commander les Pièces de Réparation.....	15
Vue des Pièces	16
Instructions pour l'Installation de la Soufflerie Facultative	17-18
Notes de Service.....	19

INFORMATION IMPORTANTE DE SÉCURITÉ

CECI EST UN APPAREIL DE CHAUFFAGE

NE PAS FAIRE FONCTIONNER CET APPAREIL SANS QUE LA PAROI EXTÉRIEURE SOIT INSTALLÉE.

- A cause des hautes températures, cet appareil doit être situé dans un endroit non achalandé et loin des meubles et des rideaux.
- Les enfants et les adultes doivent être avisés des dangers des parois très chaudes et doivent rester loin pour éviter les brûlures ou l'allumage des vêtements.
- Les petits enfants doivent être surveillés étroitement lorsqu'ils sont dans le même appartement que l'appareil.
- Les vêtements ou d'autres matériaux inflammables ne doivent pas être placés sur ou près de l'appareil.
- Tout écran de sûreté qui est enlevé lors de la réparation d'un appareil, doit être replacé avant de remettre en marche cet appareil.
- Garder propre le brûleur et le compartiment de contrôle.
- L'installation et la réparation doivent être faites par une PERSONNE QUALIFIÉE. L'appareil doit être inspecté avant l'usage et au moins une fois par année, par une personne qualifiée. S'il y a un excès de poussière venant du tapis, de la literie, etc..., de fréquents nettoyages seront requis. Il est impératif que les compartiments de commandes, les brûleurs et les passages de circulation d'air de l'appareil soient gardés propres.
- Ne rien mettre autour de la fournaise qui pourrait obstruer le débit de combustion et la ventilation d'air.
- Les matériaux combustibles, la gazoline ou les vapeurs et liquides inflammables ne doivent jamais être dans le même endroit que le radiateur.
- Examiner périodiquement le système de ventilation et remplacer les pièces défectueuses.
- Faire périodiquement une inspection visuelle de la veilleuse et des brûleurs. Nettoyer et remplacer les pièces défectueuses.
- Ne pas utiliser cette fournaise s'il y a une pièce qui a été en contact avec l'eau. Appeler immédiatement un technicien qualifié pour inspecter la fournaise et remplacer toute pièce du système de commande et les commandes de gaz qui ont été en contact avec l'eau.
- Cette fournaise ne doit pas être branchée à une cheminée servant à un autre appareil brûlant un combustible solide.

INFORMATION DE SÉCURITÉ POUR LES UTILISATEURS DE PROPANE

Le propane est un gaz inflammable qui peut causer des feux et des explosions. Dans son état naturel, le propane est inodore et sans couleur. Peut-être que vous ne connaissez pas toutes les précautions décrites ci-dessous? Elles peuvent vous protéger ainsi que votre famille contre un accident. Lisez-les attentivement dès maintenant, puis

réexaminez les, point par point avec les membres de votre famille. Un jour, lorsqu'il n'y aura pas une minute à perdre, la sécurité de chacun dépendra de votre savoir-faire. Si après avoir lu les informations suivantes, vous pensez avoir besoin de plus amples informations, s'il vous plaît contactez votre fournisseur de gaz.

AVERTISSEMENT À PROPOS DE L'ODEUR DU PROPANE

Si une fuite de gaz survient, vous devriez sentir le gaz parce qu'il y a une odeur incorporée au propane.

C'est le signal que vous devez agir immédiatement.

- N'utiliser pas les interrupteurs électriques, n'allumer pas des allumettes ou n'utiliser pas le téléphone. Ne rien faire qui pourrait enflammer le gaz.
- Évacuer tout le monde du bâtiment, des véhicules et des lieux. Faire ceci immédiatement.
- Fermer toutes les soupapes d'approvisionnement des réservoirs et des bouteilles de gaz.
- Le propane est plus pesant que l'air et peut s'accumuler dans des endroits bas comme les soubassements. Lorsque vous avez des raisons de suspecter une fuite de gaz, n'allez pas dans les soubassements ou les endroits bas. Attendez que les pompiers vous assurent de la sûreté de ces endroits avant d'y aller.
- Utiliser le téléphone de votre voisin et appeler les pompiers et une personne entraînée avec le propane.
- Ne pas ouvrir les soupapes d'approvisionnement de gaz même si vous ne le sentez plus. Ne retourner pas dans le bâtiment, sur les véhicules ou sur les lieux.
- Finalement, laisser la personne qualifiée et les pompiers vérifier les fuites de gaz. Laisser-les aérer les lieux avant d'y retourner. Les personnes entraînées avec le propane devront réparer la fuite, vérifier et rallumer l'appareil au gaz, pour vous.

AUCUNE ODEUR DÉCELÉE - FAIBLE ODEUR

Il y a des personnes qui ne peuvent pas sentir très bien. Il y a des personnes qui ne peuvent pas sentir l'odeur chimique mis dans le gaz. Vous devez vérifier si vous pouvez sentir cette odeur. Fumer peut décroître votre capacité de sentir. Sentir une odeur pour un certain temps, peut affecter votre sensibilité ou votre capacité de déceler cette odeur. Quelquefois d'autres odeurs, dans le même endroit, peuvent masquer l'odeur du gaz. Il y a des personnes qui ne peuvent pas sentir l'odeur du gaz ou que leur attention est sur quelque chose d'autre. Penser à sentir l'odeur du gaz peut faciliter la capacité de sentir.

L'odeur dans le propane est sans couleur et peut s'affaiblir selon certaines circonstances. Par exemple, s'il y a une fuite souterraine, le mouvement du gaz à travers le sol peut filtrer l'odeur. Aussi, l'odeur dans le propane peut être exposée à l'oxydation. Cet affaiblissement

peut survenir s'il y a de la rouille à l'intérieur des réservoirs ou dans les tuyaux de fer pour le gaz.

L'odeur de la fuite de gaz peut être adsorbée ou absorbée sur ou dans les murs, maçonnerie et d'autres matériaux et tissus dans une chambre. Ceci enlèvera une quantité de l'odeur du gaz, affaiblissant l'intensité de la senteur.

Le propane peut stratifier dans un endroit fermé et l'intensité de l'odeur peut varier à différents niveaux. Puisque le propane est plus pesant que l'air, l'odeur peut être plus prononcée à un bas niveau. Toujours être sensible à la moindre odeur de gaz. Si vous décelez une odeur, réagissez comme si vous aviez une sérieuse fuite. Passez à l'action immédiatement en suivant les informations précédentes.

QUELQUES POINTS À RETENIR

- **Apprendre à reconnaître l'odeur du propane.** Votre distributeur de propane peut vous donner un échantillon que vous grattez et sentez. Utilisez-le pour savoir reconnaître l'odeur du propane. Si vous pensez que votre gaz propane a une faible ou anormale odeur, appelez votre distributeur.
- Si vous n'êtes pas qualifié, n'allumer pas la veilleuse, n'effectuer pas l'entretien ou n'ajuster pas les appareils fonctionnant au propane. Si vous êtes qualifié, soyez conscient de l'odeur du propane avant et pendant que vous allumez la veilleuse, effectuez l'entretien ou faites les ajustements.
- Quelquefois un soubassement ou une maison fermée a une senteur de moisi qui peut dissimuler l'odeur de propane. N'essayez pas d'allumer des veilleuses, d'effectuer l'entretien ou de faire des ajustements dans des endroits où les conditions sont de telle sorte que vous ne pouvez pas déceler l'odeur du propane en cas de fuite.
- L'affaiblissement d'odeur, attribuable à l'oxydation par la rouille ou l'adsorption sur les parois des nouveaux réservoirs et bouteilles, est possible. Par conséquent, les personnes doivent être particulièrement prudentes lorsque de nouveaux réservoirs ou bouteilles sont mis en service. L'affaiblissement d'odeur peut se produire dans les nouveaux réservoirs ou dans les vieux réservoirs qui sont réinstallés, s'ils sont remplis et inutilisés pour une longue période de temps. La formation de rouille à l'intérieur des bouteilles et des réservoirs qui ne sont pas utilisés pour une longue période de temps, peut provoquer un affaiblissement de l'odeur. Si vous pensez que de telles conditions existent, un test de senteur de gaz est recommandé périodiquement. **Si vous avez des questions à propos de l'odeur du gaz, appelez votre distributeur de propane. En toute circonstance, un test de senteur périodique du gaz propane est une mesure de prudence.**
- Si en aucun temps vous ne sentez pas l'odeur du propane et que vous devriez, assumez que vous avez une fuite. Agissez immédiatement selon les recommandations ci-dessus, décrivant les actions à suivre en cas de déclenchement de gaz propane.
- Si vous découvrez que le réservoir est complètement vide de gaz (le réservoir n'a aucune pression de vapeur), fermez la soupape du réservoir immédiatement. Si la soupape du réservoir reste ouverte, le réservoir peut aspirer de l'air par les ouvertures, par exemple les orifices de la veilleuse. Si ceci survient, l'intérieur peut subir une additionnelle formation de rouille. Si la soupape est restée ouverte, considérez le contenant comme étant un nouveau réservoir. Soyez toujours certain que le réservoir est sous pression de vapeur; fermez la soupape du réservoir avant qu'il ne soit complètement vide et faites le remplir.

INTRODUCTION

Introduction

Lorsque la fournaise murale à air chaud est expédiée, elle est prête à être installée entre les montants du mur 2" x 4" (51mm x 102mm) et ceux-ci doivent avoir 16" (406mm) d'un centre à l'autre centre. Toujours consulter le département de construction de votre région en ce qui regarde les règlements, les codes ou les ordonnances qui s'appliquent à l'installation d'une fournaise murale à air chaud.

Instructions pour l'Installateur

1. Après l'installation, l'installateur doit laisser le manuel d'instructions au propriétaire.
2. L'installateur doit demander au propriétaire de compléter et poster la carte de garantie qui est fournie avec la fournaise.
3. L'installateur doit expliquer au propriétaire la mise en marche et le fonctionnement de la fournaise.

AVERTISSEMENT:

Tout changement fait à cette fournaise ou à ces commandes peut être dangereux. Ceci est un appareil de chauffage et si un panneau, une porte ou un dispositif protecteur est enlevé pour l'entretien de cet appareil, il doit être remplacé avant de remettre en marche.

Information Générale

Ce radiateur est un modèle conformément certifié avec l'American National Standard/CSA Standard Z21.86 et CSA 2.32 par Canadian Standards Association comme étant une fournaise murale à air chaud, devant être installée en accordance avec ces instructions.

Tout changement du modèle d'origine, installé autrement que décrit dans ces instructions ou fonctionnant avec un genre de gaz qui n'est pas indiqué sur la plaque d'identification, est la responsabilité de la personne et de la compagnie faisant ce changement.

Important

Toute la correspondance doit mentionner le numéro complet du modèle et de la série et le genre de gaz.

Avis: Pendant le premier allumage de cette unité, la peinture cuira et de la fumée se produira. Pour prévenir les détecteurs de fumée de se déclencher, bien ventiler l'appartement dans lequel l'unité est installée.

Installation dans les Garages Résidentiels

Tous les équipements dans les garages résidentiels employant du gaz, doivent être installés de façon à ce que les brûleurs et les appareils pour allumer les brûleurs doivent être situés à au moins 45.7cm au dessus du plancher.

Tous ces équipements doivent être situés ou protégés de façon à ce qu'un véhicule en se déplaçant ne puisse les endommager.

Agence d'Installation Qualifiée

L'installation et le remplacement des tuyaux à gaz, des équipements ou accessoires, la réparation et l'entretien de l'équipement doivent être faits seulement par une agence qualifiée. Le terme "agence qualifiée" signifie tout individu, firme, corporation ou compagnie qui est, en personne ou par un représentant, engagé et responsable de: (a) l'installation ou le remplacement des tuyaux à gaz, ou (b) la connexion, l'installation, la réparation ou l'entretien de l'équipement, qui possède l'expérience nécessaire en ce genre de travail, est familier avec les précautions requises et s'est conformé à toutes les exigences de l'autorité ayant juridiction.

L'installation doit être conforme aux codes locaux. Dans l'absence de codes locaux, l'installation doit se conformer avec *National Fuel Gas Code ANSI Z223.1/NFPA 54* Natural Gas and Propane Installation Code, CSA B149.1.*

* Disponible chez American National Standards Institute, Inc., 11 West 42nd St., New York, N.Y. 10036.

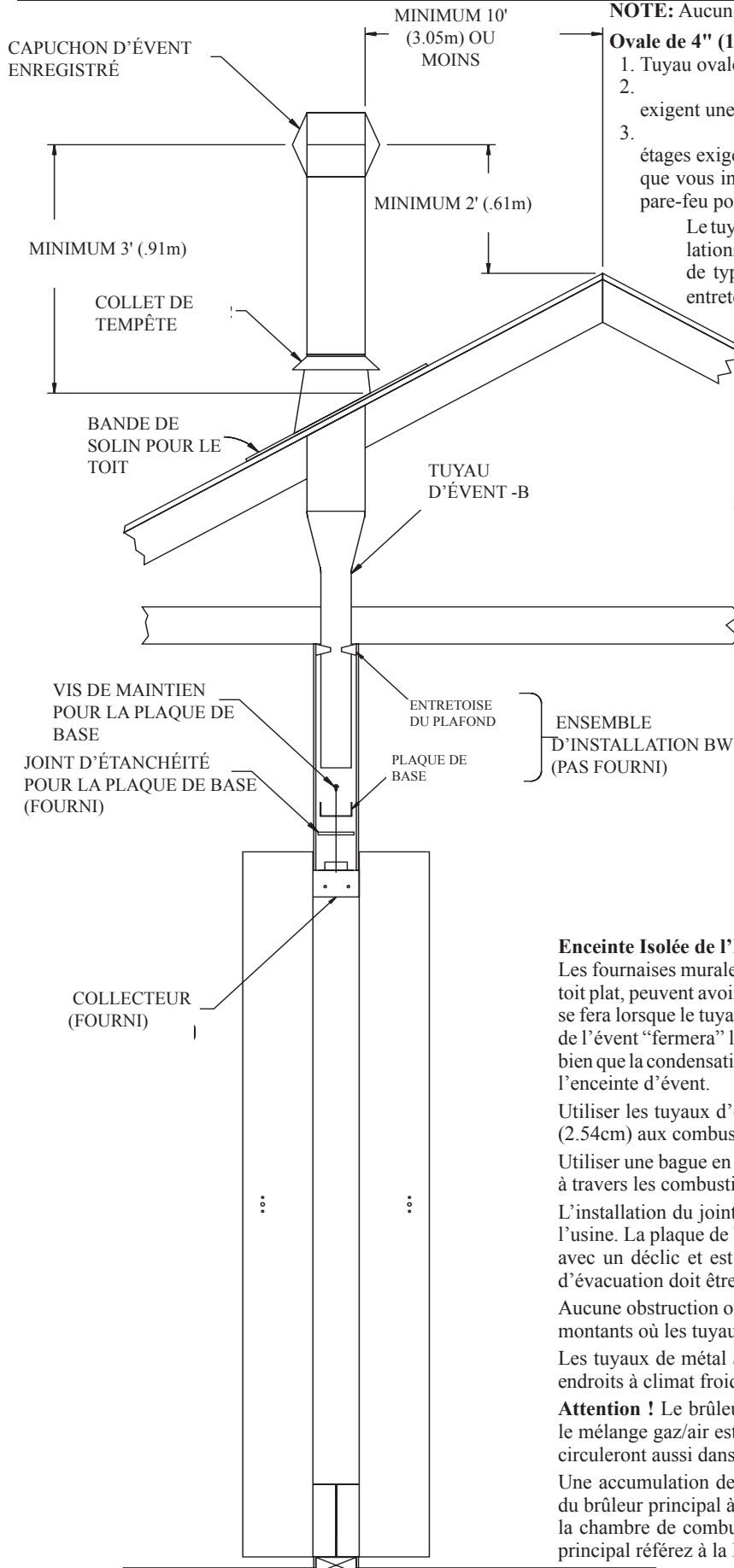
Hautes Altitudes

Pour des altitudes/élevations au dessus de 2,000' (610m), les puissances d'entrée devront être réduites de 4% pour chaque 1,000' (305m) au dessus du niveau de la mer. **Hautes Altitudes au Canada** pour les endroits ayant une élévation au dessus du niveau de la mer entre 2,000' (610m) et 4,500' (1370m), la pression doit être diminuée de 3.5" w.c. (.871kPa) à 3.0" w.c. (.747kPa) pour le gaz naturel et de 10.0" w.c. (2.49kPa) à 8.0" w.c. (1.992kPa) pour le gaz propane.

SPÉCIFICATIONS

Modèle	GWT-50W
Puissance d'entrée BTU/HR (KW/H)	50,000 (14.7)
Hauteur	66 1/8" (1679mm)
Largeur	16" (406mm)
Profondeur (hors du mur)	6" (152mm)
Tuyau d'entrée de gaz	1/2" (13mm)
Tuyau d'évacuation ovale de type B	4" (102mm)
Accessoires pour les fournaises ci-dessus	
Assemblage de la soufflerie	GWTB2W
GWT-50 (SG,RB) est une fournaise pour MUR MITOYEN. L'air chaud se décharge dans deux pièces qui partagent le même mur.	

CONFIGURATION RECOMMANDÉE POUR L'ÉVACUATION

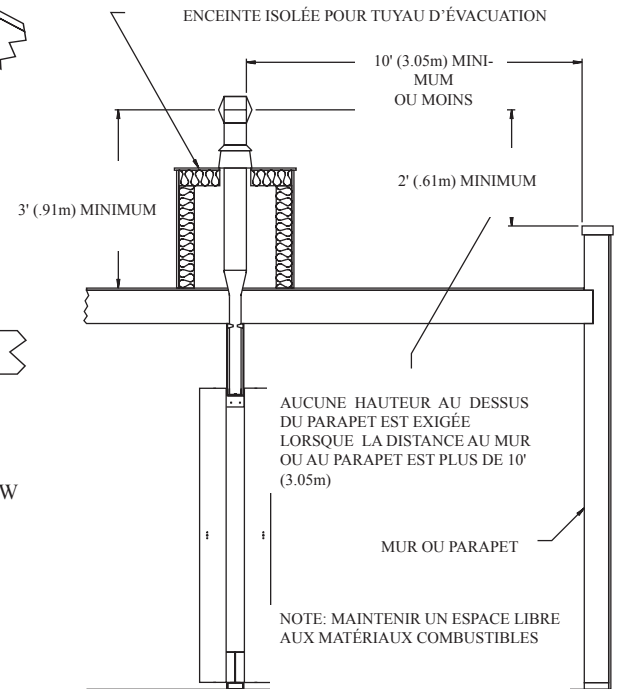


NOTE: Aucun matériel d'évacuation est fourni avec l'appareil.

Ovale de 4" (102mm) (toutes les pièces sont achetées localement)

1. Tuyau ovale de type B-1
2. Les tuyaux d'évacuation de type B-1 pour un étage exigent une plaque de base et une paire d'entretoises pour le plafond.
3. Les tuyaux d'évacuation de type B-1 pour plusieurs étages exigent une plaque de base, une paire d'entretoises pour le plafond que vous installez au plafond du premier étage et une paire d'entretoises pare-feu pour tous les plafonds successifs.

Le tuyau à gaz d'évacuation de type B-W est disponible pour les installations d'un étage ou de plusieurs étages. Le tuyau à gaz d'évacuation de type B-W doit être utilisé avec la plaque de base certifiée, les entretoises du plafond et les entretoises à pare-feu.



Enceinte Isolée de l'Évent

Les fournaies murales à air chaud par gravité installées dans des bâtiments ayant un toit plat, peuvent avoir une évacuation inadéquate. Un délai de l'évacuation adéquate se fera lorsque le tuyau d'évacuation est froid par conséquent l'interrupteur de sûreté de l'évent "fermera" la fournaie murale. Pour prévenir le délai de l'évacuation aussi bien que la condensation dans les conduits d'évacuation, nous recommandons d'isoler l'enceinte d'évent.

Utiliser les tuyaux d'évacuation de type B et garder un espace libre d'au moins 1" (2.54cm) aux combustibles.

Utiliser une bague en métal pour protéger les tuyaux d'évacuation lorsqu'ils passent à travers les combustibles.

L'installation du joint d'étanchéité de la plaque de base sur le collecteur est faite à l'usine. La plaque de base est attachée au collecteur avec des vis. L'évent-B s'insère avec un déclat et est attaché à la plaque de base. La hauteur minimum du tuyau d'évacuation doit être de 6' (1.82m) au dessus du collecteur.

Aucune obstruction ou aucun papier de construction doit être dans l'espace entre les montants où les tuyaux d'évacuation passent.

Les tuyaux de métal à simple paroi non-isolés ne doivent pas être utilisés dans les endroits à climat froid pour évacuer les gaz d'un appareil fonctionnant au gaz.

Attention ! Le brûleur principal utilise l'air ambiant pour la combustion. Lorsque le mélange gaz/air est injecté dans le brûleur principal, des particules de poussières circuleront aussi dans le brûleur principal.

Une accumulation de poussières dans le brûleur principal occasionnera la flamme du brûleur principal à devenir jaune et possiblement une accumulation de suie dans la chambre de combustion et dans le tuyau d'évacuation. Pour nettoyer le brûleur principal référez à la Page 13, "Flamme convenable du brûleur principal".

ALIMENTATION EN GAZ

Vérifier tous les codes locaux pour répondre aux exigences, spécialement pour la grandeur et le genre de ligne requise pour l'alimentation de gaz.

Le Diamètre recommandé de tuyau de gaz

Longueur de tuyau	Le plan 40 tuyau diameter d'intérieur		Les tuyaux, Taper L Hor du Diamètre	
	Nat.	LP	Nat.	LP
0-10 feet 0-3 meters	1/2"	3/8"	1/2"	3/8"
10-40 feet 4-12 meters	1/2"	1/2"	5/8"	1/2"
40-100 feet 13-30 meters	1/2"	1/2"	3/4"	1/2"
100-150 feet 31-46 meters	3/4"	1/2"	7/8"	3/4"

Note: Ne jamais utiliser des tuyaux de plastique. Assurez-vous que les codes locaux permettent les tuyaux de cuivre ou galvanisés.

Note: Étant donné que certaines municipalités ont des codes locaux additionnels, il est toujours préférable de consulter votre autorité locale et le code d'installation.

Installation d'un Nouveau Robinet Principal pour le Gaz

Chaque appareil doit avoir son propre robinet manuel de gaz.

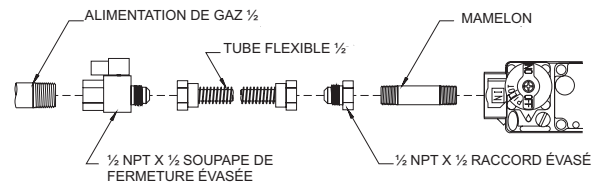
Un robinet manuel principal doit être situé près de l'appareil. S'il n'y en a pas ou si la grosseur ou l'emplacement est inadéquat, contacter votre installateur autorisé pour l'installation ou pour changer l'emplacement.

Les composantes employées sur les joints filetés des tuyaux doivent être résistantes à l'action des gaz de pétrole liquéfiés. La canalisation de gaz doit être vérifiée par l'installateur pour des possibilités de fuites. Ceci doit être fait sur toutes les connexions exposées avec une solution savonneuse. Surveiller pour la formation de bulles. Si les connexions ne sont pas exposées, un test de pression doit être fait.

Ne jamais employer une flamme pour vérifier les fuites. Lors d'un test de pression, le tuyau d'arrivée de la valve de commande doit être débranché de l'appareil et bouché. Ne jamais faire un test de pression lorsque l'appareil est branché; la valve de commande peut être endommagée!

Pour aider à l'entretien, une valve à gaz et un raccord horizontal doivent être installés sur la ligne de gaz en amont du contrôle de gaz. Le National Fuel Gas Code exige qu'une ligne d'égouttage soit installée près de l'entrée de gaz. Ceci doit consister en une longueur de tuyau vertical qui sera raccordé par un T sur la ligne de gaz et terminé au bas par un bouchon. La condensation et les particules étrangères s'y amasseront.

CONNEXION D'UNE LIGNE DE GAZ FLEXIBLE



CONNEXION D'UNE LIGNE RIGIDE

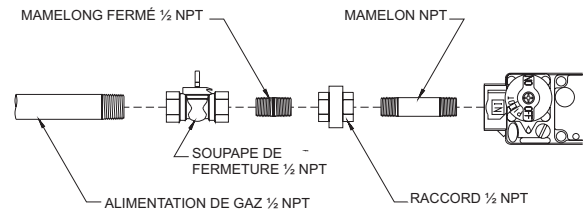


Figure 1

L'emploi des connexions de gaz suivantes est recommandé.

- ANS Z21.24 Connexions d'appareil de tuyaux et de raccords en métal ondulé.
- ANS Z21.45 Connexions flexibles d'appareil autre qu'en métal.

Les connexions ci-dessus peuvent être utilisées si elles sont acceptées par les autorités ayant juridiction. Les connexions ci-dessus peuvent être utilisées si elles sont acceptées par les autorités ayant juridiction. L'État de Massachusetts exige qu'une connexion flexible d'un appareil n'exécède pas une longueur de trois pieds.

Test de Pression du Système d'Alimentation de Gaz

1. Pour vérifier la pression d'arrivée à la valve de gaz, une bonde N.P.T. de 1/8" (3.175mm), accessible pour vérifier le jaugeage des connexions, doit être située immédiatement en amont de la connexion d'alimentation de gaz de l'appareil.
2. Pendant un test de pression du système d'alimentation de gaz, l'appareil et sa valve de fermeture doivent être débranchés si une pression supérieure à 1/2 psig (3.5kPa) est employée.
3. Pendant un test de pression du système d'alimentation de gaz, si une pression égale ou inférieure à 1/2 psig (3.5kPa) est employée, l'appareil doit être isolé du système d'alimentation de gaz en fermant sa propre valve de fermeture manuelle.

Attention! Si une des procédures ci-dessus occasionne une pression supérieure à 1/2 psig (3.5kPa) sur la valve de gaz de l'appareil, une situation dangereuse s'en suivra.

Vérifier les Pressions de Gaz

Un régulateur de pression est incorporé dans la valve de gaz propane et celle de gaz naturel.

Les modèles pour le gaz naturel auront des pressions de gaz approximativement de 3.5" w.c. (.871kPa) à la sortie de la valve et une pression d'entrée à la valve d'un minimum de 4.5" w.c. (1.120kPa) pour permettre l'ajustement à l'entrée, allant à un maximum de 10.5" w.c. (2.614kPa). Les modèles pour le gaz propane auront des pressions de gaz approximativement de 10.0" w.c. (2.49kPa) à la sortie de la valve et une pression d'entrée à la valve d'un minimum de 11.0" w.c. (2.74kPa) pour permettre l'ajustement à l'entrée, allant à un maximum de 13.0 w.c. (3.24kPa).

Une bonde N.P.T. de 1/8" (3.175mm), accessible pour vérifier le jaugeage des connexions, est située sur le côté de la sortie de la commande de gaz.

ESPACES LIBRES

1. En choisissant un emplacement, il est nécessaire de fournir l'espace libre adéquat pour l'accès à l'installation et à l'entretien.
2. Les espaces libres aux surfaces combustibles sont de 4" (102mm) pour les côtés, 12" (305mm) pour le dessus et 1 1/2" (38mm) pour le plancher.

NOTE: Une distance minimum de 1 1/2" (38mm) doit aussi être maintenue pour le dessus des tapis, tuiles, etc.

AIR DE VENTILATION ET DE COMBUSTION

Les fournaies murales doivent être installées dans un endroit où la facilité de la ventilation permet une combustion de gaz satisfaisante et un échappement convenable sous des conditions normales. Dans les bâtiments de construction conventionnelle, de brique ou de pierre sans fenêtre et porte étanche, l'infiltration est normalement adéquate pour fournir l'air pour la combustion et la dilution du coupe-tirage.

Lorsque les appareils sont installés dans des endroits confinés et ouverts d'un bâtiment lequel est exceptionnellement étanche, l'air de combustion et de ventilation doit être obtenu directement de l'extérieur ou d'un espace qui communique librement avec l'extérieur. Sous ces conditions, les endroits confinés et ouverts doivent être pourvus de deux ouvertures permanentes, une près du dessus de l'enceinte et une près du dessous; chaque ouverture doit avoir un espace libre pas moindre que 6.45cm carré par 2,000 Btu (.6KW/H) d'entrée totale.

EMPLACEMENT- POUR TOUS LES MODÈLES

Choisir un emplacement près du centre de l'espace à être chauffé. Le surplus de chaleur circulera dans les chambres contiguës par les encadrements de porte.

Pour les grandes maisons ou des surfaces étendues de plancher, nous recommandons deux ou plusieurs fournaies. Ne placer pas une fournaie près d'une porte qui en s'ouvrant frapperait la paroi extérieure de la fournaie ou près d'un meuble ou une armoire qui ralentirait la circulation.

Ne pas installer dans un garde-robe, une alcôve ou un petit passage où des portes fermées peuvent isolées la fournaie de l'endroit à être chauffé.

Lorsque l'emplacement est choisi, vérifier les murs, le grenier et le toit pour être certain qu'il n'y a pas d'obstruction telles que des tuyaux, des fils électriques, etc., lesquels entraveraient l'installation de la fournaie ou le tuyau d'évacuation.

Note: Si la soufflerie facultative est utilisée, l'installation électrique permanente de la soufflerie facultative doit être complétée avant d'installer la plaque collectrice.

INSTRUCTIONS SOMMAIRES

Plaque collectrice et tuyau d'évacuation (Figure 1 et Figure 2)
Faites une ouverture dans le mur d'une largeur de 14 1/2" (368mm) et d'une hauteur de 66 1/8" (168cm), en mesurant à partir du dessus de la lambourde (Voir Figure 2 et Figure 3). L'épaisseur du mur consistera d'une construction de 2" x 4" (51mm X 102mm) avec une tôle de 1/4" (6.5mm) à 5/8" (16mm). Assembler la plaque de base (pas fournie avec la fournaie) à la plaque collectrice en utilisant des vis à tôle à chaque extrémité. Attachez un tuyau d'évacuation oval de 4" (102mm) et à double parois à la plaque de base. Assurez-vous que vous aurez assez de longueur de tuyau d'évacuation de façon que lorsqu'il sera installé dans l'ouverture murale, le tuyau d'évacuation s'allongera d'au moins 6" (152mm) au-dessus de la plaque du plafond. Installez les entretoises du plafond en suivant les instructions du fabricant. Deux extensions sont attachées à la

plaque collectrice. Une extension est soudée à la plaque collectrice et l'autre extension est vissée à la plaque collectrice. Pour installer la plaque collectrice dans l'ouverture murale, vous devrez enlever l'extension qui est vissée à la plaque collectrice (2 vis). Insérez la plaque collectrice avec le tuyau d'évacuation oval de 4" (102mm) et à double parois dans l'ouverture murale. Mettez en place la plaque collectrice à la hauteur représentée à la Figure 2. Trouvez le bord arrière du rebord cloué à l'arrière du montant de 2" x 4" (51mm x 102mm) lequel centrera le collet de l'évent dans le mur. Placez le rebord angulaire de la plaque collectrice de niveau avec le dessus de l'ouverture murale. Clouez la plaque collectrice aux montants. Remplacez et vissez l'extension sur la plaque collectrice avec 2 vis.

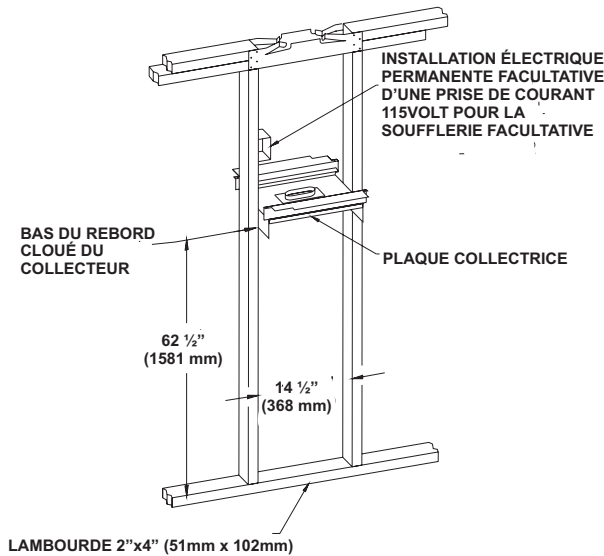


Figure 2

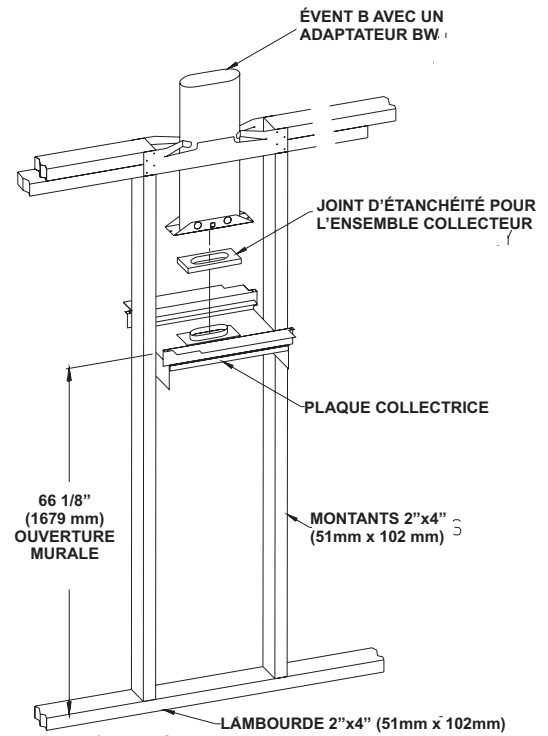


Figure 3

INSTRUCTIONS POUR LA FINITION

Plâtrage (Figure 4)

Dans une nouvelle construction utiliser seulement des lattes de gypse uni (non perforée) autour de la fournaise et du tuyau d'évacuation ainsi les "Rappoints" du plâtre ne sortiront pas dans le trou du mur.

Utiliser des lattes de bois clouées à l'intérieur des montants et sur le dessus de la plaque du bas. Celles-ci doivent être enlevées avant d'installer la fournaise. Latter et plâtrer autour de la partie supérieure de la projection de la plaque collectrice.

Ne laisser aucun matériel de la finition du mur dépasser dans la cavité de la fournaise.

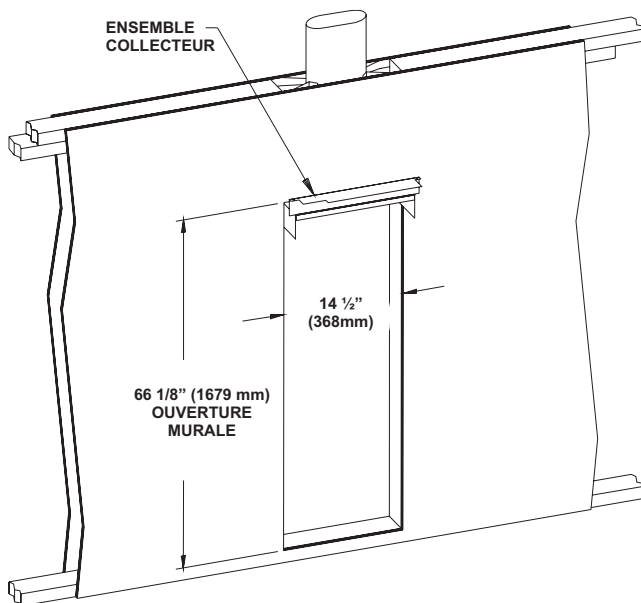
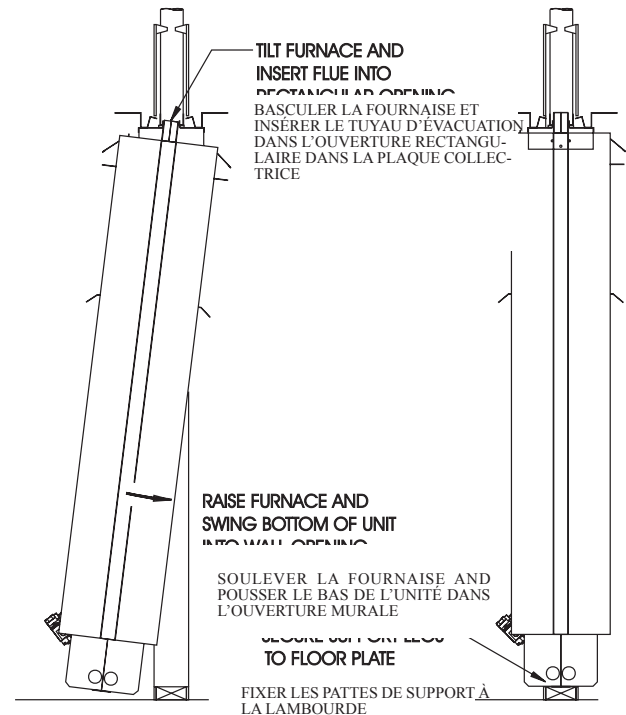


Figure 4

Nettoyer la cavité de tous les débris et enlever le plâtre et le bois sur le sol. Placer la fournaise sur le plancher devant l'ouverture murale.

Insérer le tuyau d'évacuation de la fournaise dans l'ouverture rectangulaire dans la plaque collectrice et soulever la fournaise soigneusement. (Voir Figure 5). Basculer le bas de la fournaise dans l'ouverture murale en ayant l'arrière des pattes à fleur avec l'arrière de la lambourde. Fixer les pattes de support de la fournaise à la lambourde.



IMPORTANT

INSTRUCTIONS POUR LA FINITION (suite)

Éviter de fixer la fournaise trop serrée et de perturber la paroi intérieure. N'essayer pas de forcer la fournaise dans une ouverture murale qui serait plus petite que les dimensions mentionnées.

PAROI EXTÉRIEURE (Figure 6)

1. Aligner les encoches de 1 3/4" du support de la paroi avec les trous de vis qui sont au bas de la paroi intérieure. Attacher le support de la paroi avec la paroi intérieure avec une (1) vis #10 x 1/2" pour chaque support de la paroi. Ne serrez pas les vis complètement à ce moment.
2. Placer la paroi extérieure sur le collecteur.
Attention: Utiliser le trou libre au centre supérieur de la paroi extérieure pour attacher le collecteur avec une (1) vis Phillips #8 x 3/8" **lorsque la soufflerie facultative n'est pas installée.**
Attention: Utiliser les trous libres extérieurs de la partie supérieure de la paroi extérieure pour attacher le collecteur avec deux (2) vis Phillips #8 x 3/8" **lorsque la soufflerie facultative est installée.**
3. Aligner les trous libres au bas de la paroi extérieur avec les trous de vis qui sont sur les supports de la paroi en ajustant les encoches sur les supports de la paroi.
4. Maintenant, visser complètement les vis du support de la paroi que vous avez installées à l'Étape 1 avec la paroi intérieure.
5. Attacher la paroi extérieure avec les supports de la paroi en utilisant deux (2) vis #10 x 1 1/2".

INSTALLER LA PORTE DE COMMANDE

Attacher deux rondelles (fournies avec fournaise) aux goupilles situées au bas de la porte de commande. Installer la porte de commande à l'assemblage des parois extérieures.

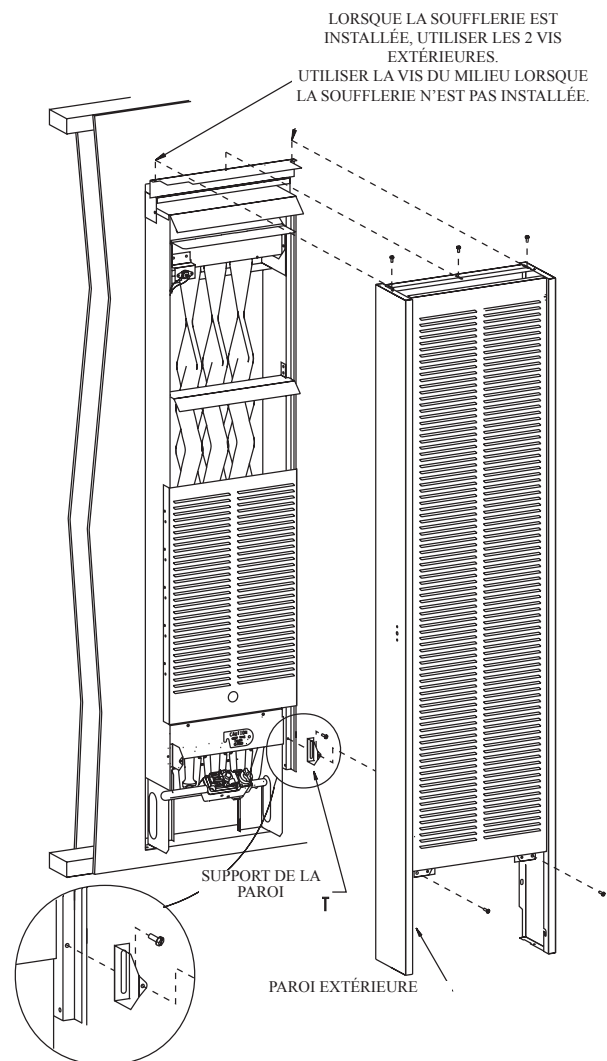


Figure 6

EMPLACEMENT DU THERMOSTAT (MODÈLES SG)

ATTENTION — Ne placer pas des fils électriques derrière les rebords de la plaque collectrice ou quelque part où ils seraient endommagés.

Installation d'un dispositif de marche/arrêt

Pour installer un dispositif de marche/arrêt (tel qu'un interrupteur mural, une télécommande, un interrupteur à bascule ou un thermostat), enlever le capuchon de connexion des deux fils de la vanne. Tirer un fil supplémentaire entre les fils de vanne et le dispositif de marche/arrêt. Installer le dispositif de marche/arrêt dans la même pièce que la chaudière en suivant les instructions d'installation fournies avec le dispositif. En l'absence d'instructions, installez le dispositif de marche/arrêt à 1,2 à 1,5 mètres (4 à 5 pieds) au-dessus du sol sur un mur intérieur qui ne subit pas l'effet d'une autre source de chaleur (poêle ou chauffe-eau) ni de la température d'une pièce voisine.

Vérification du système

La vérification du système nécessite un millivoltmètre. Les mesures en millivolts doivent être :

- Entre les bornes de la thermopile : 400 à 450 millivolts avec la chaudière à OFF.
- Entre les bornes de la thermopile : 150 à 250 millivolts avec la chaudière à ON.
- Entre les fils de la vanne : moins de 30 millivolts avec la chaudière à ON.

Brancher les fils du thermostat à la valve de gaz comme il est représenté à la Figure 7.

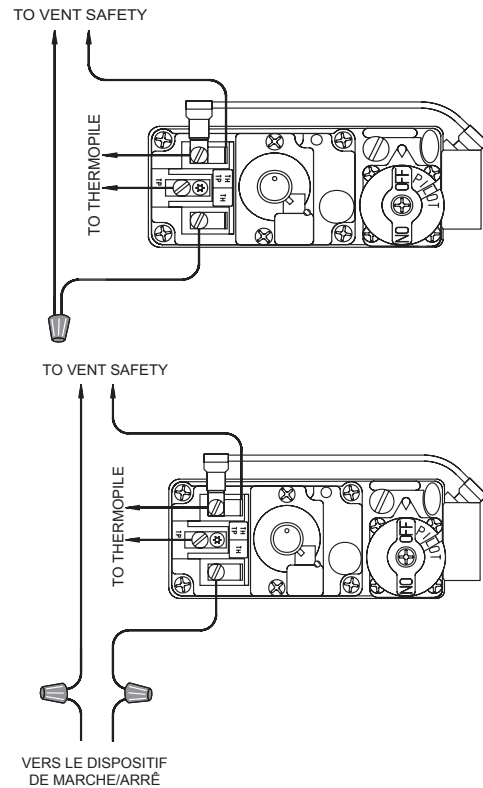


Figure 7

INSTRUCTIONS D'ALLUMAGE

POUR VOTRE SÉCURITÉ LIRE AVANT D'ALLUMER

AVERTISSEMENT: Si vous ne suivez pas exactement ces instructions, un feu ou une explosion peut se produire causant des dommages à la propriété, des blessures corporelles ou la mort.

A. Cet appareil a une veilleuse qui doit être allumée manuellement. Lorsque vous allumez la veilleuse, suivez exactement ces instructions.

B. **AVANT D'ALLUMER**, sentez partout dans l'appartement dans lequel l'appareil est situé pour déceler une odeur de gaz. Soyez certain de sentir près du plancher parce qu'il y a des gaz qui sont plus pesant que l'air et ceux-ci resteront sur le plancher.

QUOI FAIRE SI VOUS SENTEZ LE GAZ

- N'essayer pas d'allumer un appareil.
 - Ne toucher pas les interrupteurs électriques.
- N'utiliser pas les téléphones dans le bâtiment.
- Appeler immédiatement votre fournisseur de gaz en employant le téléphone de votre voisin. Suivre les instructions

du fournisseur de gaz.

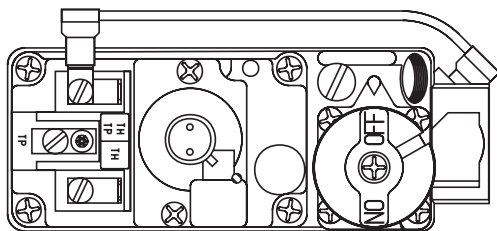
- Si vous ne pouvez pas contacter votre fournisseur de gaz, appeler le poste de pompiers.

C. Utiliser seulement votre main pour pousser ou tourner le bouton de contrôle de gaz. N'utiliser jamais des outils. Si vous ne pouvez pas pousser ou tourner le bouton avec vos mains, n'essayer pas de le réparer; appeler un technicien qualifié. Forcer ou essayer de réparer peut résulter en un feu ou une explosion.

D. Ne pas utiliser cet appareil si une pièce a été en contact avec l'eau. Appeler immédiatement un technicien qualifié pour inspecter le radiateur et remplacer toute pièce du système de commande et les commandes de gaz qui ont été en contact avec l'eau.

INSTRUCTIONS D'ALLUMAGE

1. Arrêter! Lire les informations de sécurité ci-dessus.
2. Éteindre tout pouvoir électrique à l'appareil. (Si applicable)
3. Enlever le panneau d'accès aux commandes (porte des commandes).
4. Pousser légèrement le bouton de contrôle de gaz et tourner dans le sens des aiguilles d'une montre à la position "FERMÉ".



GAS CONTROL KNOB SHOWN IN "OFF" POSITION

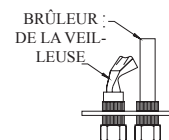
BOUTON DE CONTRÔLE DE GAZ REPRÉSENTÉ DANS LA POSITION "FERMÉ"

NOTE: Le bouton ne peut pas être tourné de la position "VEILLEUSE" à la position "FERMÉ" à moins que vous poussiez légèrement le bouton. Ne pas forcer.

5. Attendre 10 minutes pour se débarrasser des gaz. Après les 10 minutes, sentir partout y compris près du plancher pour déceler une odeur de gaz. Si vous sentez le gaz, ARRÊTER! Suivre "B" dans les informations de sécurité ci-dessus. Si vous ne sentez aucun gaz, aller à la prochaine étape.
6. Trouver la veilleuse - suivre le tuyau de métal à partir du

contrôle de gaz. La veilleuse est montée devant le brûleur principal.

7. Tourner le bouton de contrôle de gaz dans le sens opposé des aiguilles d'une montre à la position "VEILLEUSE".
8. Pousser complètement en bas le bouton de contrôle et tenir dans cette position. Immédiatement, allumer la veilleuse avec une allumette. Continuer de tenir le bouton de contrôle pour environ une (1) minute après que la veilleuse soit allumée. Relâcher le bouton et il reviendra à sa position. La veilleuse est supposée rester allumée. Si elle s'éteint, recommencer les étapes 5 jusqu'à 9.
 - Si le bouton ne revient pas à sa position lorsque vous le relâchez, arrêter et appeler immédiatement un technicien d'entretien qualifié ou le fournisseur de gaz.
 - Si la veilleuse ne reste pas allumée après plusieurs essais, tourner le bouton de contrôle de gaz à la position "fermé" et appeler votre technicien d'entretien ou votre fournisseur de gaz.
9. Tourner le bouton de contrôle de gaz dans le sens opposé des aiguilles d'une montre à la position "OUVERT".
10. Replacer le panneau d'accès aux commandes (porte des commandes).
11. Allumer tout le pouvoir électrique de l'appareil. (si applicable)



POUR FERMER LE GAZ À L'APPAREIL

1. Si l'entretien doit être fait, éteindre tout le pouvoir électrique à l'appareil (si applicable).
2. Enlever le panneau d'accès aux commandes (porte des commandes).
3. Pousser légèrement le bouton de contrôle de gaz et tourner dans le sens des aiguilles d'une montre à la position "FERMÉ". Ne pas forcer.
4. Replacer le panneau d'accès aux commandes (porte des commandes).

LE SYSTÈME DE FERMETURE DE SÛRETÉ DE L'ÉVENT

Le Système de Fermeture de Sûreté de l'Évent.

Cet appareil doit être branché correctement à un système d'évacuation. Cet appareil est muni d'un système de fermeture de sûreté de l'évent.

AVERTISSEMENT: Le fonctionnement de cette fournaise murale lorsqu'elle n'est pas branchée à un système d'évacuation lequel doit être installé et entretenu correctement ou lorsque vous tripotez avec le système de fermeture de sûreté de l'évent, peut causer un empoisonnement au monoxyde de carbone (CO) et possiblement la mort.

Cette fournaise est munie d'un interrupteur de sûreté de l'évent avec une remise à zéro manuelle. Lors d'une évacuation inadéquate ou d'une obstruction de la cheminée, l'interrupteur de sûreté de l'évent avec une remise à zéro manuelle provoquera une fermeture du débit de gaz au brûleur principal.

Pour remettre à zéro l'interrupteur de sûreté de l'évent avec une remise à zéro manuelle:

1. Enlever la paroi extérieure.
2. Abaisser le bouton de remise à zéro manuelle. L'interrupteur de sûreté de l'évent avec une remise à zéro manuelle est situé sur le coupe-tirage.
3. Replacer la paroi extérieure.

Si l'interrupteur de sûreté de l'évent avec remise à zéro manuelle continu d'arrêter le débit de gaz au brûleur principal, un technicien d'entretien qualifié doit être contacté pour vérifier s'il y a une évacuation inadéquate, une obstruction dans le tuyau d'échappement ou si l'interrupteur de sûreté de l'évent avec remise à zéro manuelle est défectueux.

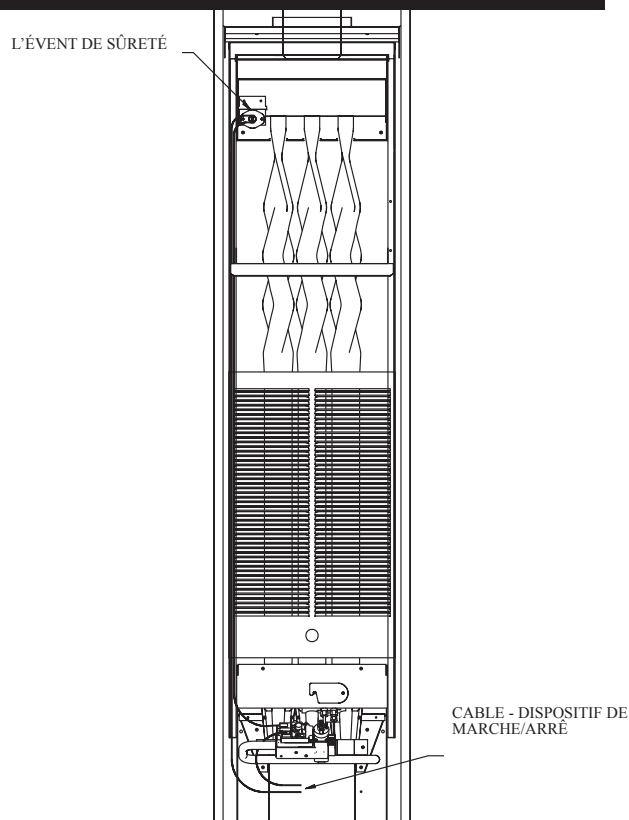


Figure 8

ASPECT CONVENABLE DE LA FLAMME DU BRÛLEUR PRINCIPAL

La flamme convenable aura une petite flamme bleue intérieure avec une flamme extérieure bleue pâle beaucoup plus grande. Il n'y a pas d'ajustement d'air primaire pour le brûleur. La flamme sera adéquate si la pression pré-ajustée à l'usine et les orifices sont utilisés. Après que la fournaise ait fonctionné, un nettoyage du brûleur peut être exigé pour obtenir une flamme adéquate. Vérifier au moins 2 fois par année.

Pour nettoyer les orifices du brûleur, débrancher l'alimentation de gaz à la valve. Dans la chambre de combustion, enlever l'assemblage du brûleur. Enlever le brûleur de la veilleuse qui est branché au brûleur principal et alors vous pourrez enlever le brûleur principal. Faire entrer de l'eau avec force dans les orifices et sécher avec une pression d'air par exemple un aspirateur ou un compresseur d'air à basse pression.

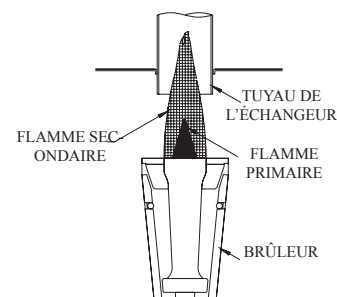


Figure 9

ASPECT CONVENABLE DE LA FLAMME DE LA VEILLEUSE

La flamme adéquate sera bleue et s'allongera plus loin que la thermopile. La flamme entourera la thermopile juste en-dessous de la pointe.

Les veilleuses de gaz naturel exigent un ajustement lorsque la pression d'entrée de gaz est supérieure à 5" w.c. (1.25kPa). Enlever la vis du couvercle de la veilleuse sur la valve de contrôle et tourner la vis d'ajustement dans le sens des aiguilles d'une montre pour réduire la flamme. Replacer la vis du couvercle de la veilleuse pour éliminer une fuite de gaz à l'ouverture de cette valve de contrôle.

Le gaz PL (propane) n'exige aucun ajustement.

Après l'usage, un nettoyage peut être exigé pour obtenir une flamme adéquate.

Examiner la flamme de la veilleuse avant et durant chaque saison de chauffage.

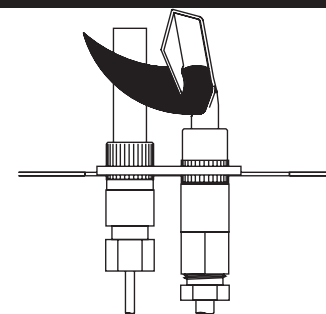


Figure 10

DÉTECTION DES DÉFECTUOSITÉS

GÉNÉRAL: Toutes les fournaies ont reçu un test d'allumage pour vérifier le bon fonctionnement. Ceci inclus la flamme du brûleur principal, la flamme de la veilleuse et le fonctionnement du contrôle de gaz. Si la fournaie ne fonctionne pas à la première installation, nous vous suggérons de revérifier ce qui suit:

1. Pression de gaz à l'arrivée
2. Le genre de gaz utilisé et montré sur la plaque d'identification.

Pour vous assister à l'entretien de la fournaie, vous pouvez contacter le département de service à Empire Comfort Systems, Inc.

Entretien de la Veilleuse et du Brûleur Principal, Orifice de la Veilleuse, Thermopile et Orifice du Brûleur Principal

Débrancher l'alimentation de gaz à l'entrée de la valve de contrôle. Enlever l'assemblage du brûleur à laquelle les pièces composantes ci-dessus sont attachées.

Veilleuse ne s'Allume pas

Lorsqu'il y a de l'air dans la ligne de gaz, par exemple lors de la première installation de la fournaie ou à cause du non-fonctionnement durant l'été, la flamme de la veilleuse peut être trop faible pour s'enflammer lors des premiers essais. Tourner le bouton de la valve de contrôle à la position VEILLEUSE et baisser le bouton de contrôle de gaz. Tenir le bouton de contrôle de gaz baissé pour drainer la ligne;

1. Utiliser une tige d'allumage pour allumer la veilleuse avec une allumette.

En Aucune Façon, la Veilleuse ne s'Allume Pas

1. Vérifier le bouton de contrôle de gaz, il doit être dans la position "Veilleuse".
2. Vérifier l'ajustement de la veilleuse, il doit être complètement ouvert (dans le sens opposé des aiguilles d'une montre pour "ouvert").
3. S'il y a du gaz dans le tuyau d'alimentation, l'orifice de la veilleuse et/ou le brûleur de la veilleuse est probablement bouché par un fil d'araignées. Nettoyer l'assemblage de la veilleuse et réallumer.

La Veilleuse s'Enflamme mais s'Éteint Lorsque le Bouton de Contrôle de Gaz est Relâché:

1. Suivre les instructions et appuyer sur le bouton de contrôle de gaz plus longtemps et fermement.
2. Déterminer si la flamme de la veilleuse s'allonge au-delà de la thermopile; si non, ajuster la flamme de la veilleuse ou nettoyer le brûleur de la veilleuse.
3. Remplacer la thermopile si la lecture des millivolts est moindre que 300 millivolts lorsque le dispositif de MARCHE/ARRÊT ou la commande lumineuse est FERMÉ. Remplacer le contrôle de gaz si la lecture des millivolts de l'aimant à déclenchement est plus de 100 millivolts.

Panne de la Veilleuse lors d'un Fonctionnement Normal

1. Vérifier l'entrée de gaz avec un manomètre ou un gazomètre.
2. Vérifier la sortie en millivolt lorsque la fournaie fonctionne. Si la sortie en millivolt décroît lorsque la fournaie fonctionne, le contrôle de gaz peut être défectueux.

Valve Principale de Gaz ne s'Ouvre Pas Lorsque le Thermostat est Tourné à "Ouvert":

1. Vérifier la sortie en millivolt de la thermopile.
2. Les fils électriques du dispositif de MARCHE/ARRÊT peuvent être brisés.
3. Le dispositif de MARCHE/ARRÊT peut être défectueux.

LISTE DES PIÈCES

ATTENTION: Lorsque vous commandez les pièces, il est très important que le numéro de la pièce et la description coïncident.

Numéro d'index	Numéro de la pièce	Description
1	WFA-115	Joint d'étanchéité du collecteur
2	36324	Ensemble collecteur (inclus No. 1, joint d'étanchéité)
3	GWT-184	Ensemble des parois intérieures
4	GWT-151	Ensemble du coupe-tirage (exige 2)
5	GWT-020	Blindage à l'avant (exige 2)
6	GWT-077	Blindage thermique (exige 2)
7	36328	Façade d'enveloppe (exige 2) (Comprend deux n°11)
8	GWT-186	Support des parois (exige 4)
9	36321	Ensemble des portes (exige 2)
10	R-885	Rondelle en nylon (exige 4)
11	R-3763	Aimant (exige 4)
12	DV-064	Plaque de recouvrement (exige 2)
13	GWT-008	Compartiment avant du brûleur - (exige 2)
14	R-3046	Interrupteur de sûreté de l'évent
15	R-3038	Ensemble de conducteur eco
16	26466	Ensemble de l'échangeur - arrière
17	26465	Ensemble de l'échangeur - avant
18	R-3036	Veilleuse - NAT
18	R-3037	Veilleuse - PL
19	R-1054	Thermopile
20	GWT-096	Ensemble du support du brûleur
21	R-5245	Soupape de gaz - NAT
21	R-5246	Soupape de gaz - PL

Numéro d'index	Numéro de la pièce	Description
22	R-3031	Brûleur (exige 6)
23	P-88-55	Orifice du brûleur - NAT (exige 6)
23	P-88-65	Orifice du brûleur - PL (exige 6)
24	GWT-014	Volet avant pour l'air -PL(exige 2)
25	GWT-015	Volet arrière pour l'air -PL(exige 2)
26	GWT-054	Volet du bas pour l'air - PL (exige 2)
27	23906	Protection
28	36354	Enveloppe complète (comprend n°7, n°9 et deux n°10)
29	24752	Blindage inférieur
30	29011	Support de tube d'échangeur
Pas Représenté	GWT-099	Tubulure de la veilleuse
Pas Représenté	R-3178	Orifice de la veilleuse (Honeywell K14 .014 PL seulement)
Pas Représenté	R-3179	Orifice de la veilleuse (Honeywell A26 .026 NAT seulement)
Pas Représenté	R-734	Porte-allumette
Pas Représenté	GWT-190	Ensemble de quincaillerie

Utiliser seulement les pièces de remplacement du fabricant. L'emploi de d'autres pièces peut causer des blessures ou la mort.

FAÇON DE COMMANDER LES PIÈCES DE RÉPARATION

Les pièces peuvent être commandées seulement par l'entremise du **technicien d'entretien ou du vendeur**. Pour de meilleurs résultats, le **technicien d'entretien ou le vendeur** devrait commander les pièces chez le distributeur. Les pièces peuvent être expédiées directement au technicien d'entretien ou au vendeur.

Toutes les pièces énumérées dans la liste ont un numéro de pièce. Lorsque vous commandez des pièces, premièrement obtenez le numéro du modèle sur la plaque d'identification de l'appareil. Puis en vous référant à l'illustration et à la liste des pièces, déterminer le numéro de la pièce (pas le numéro d'index) et la description de chaque pièce. Soyez certain de donner toutes ces informations.

Numéro du modèle du radiateur _____ Description de la pièce _____

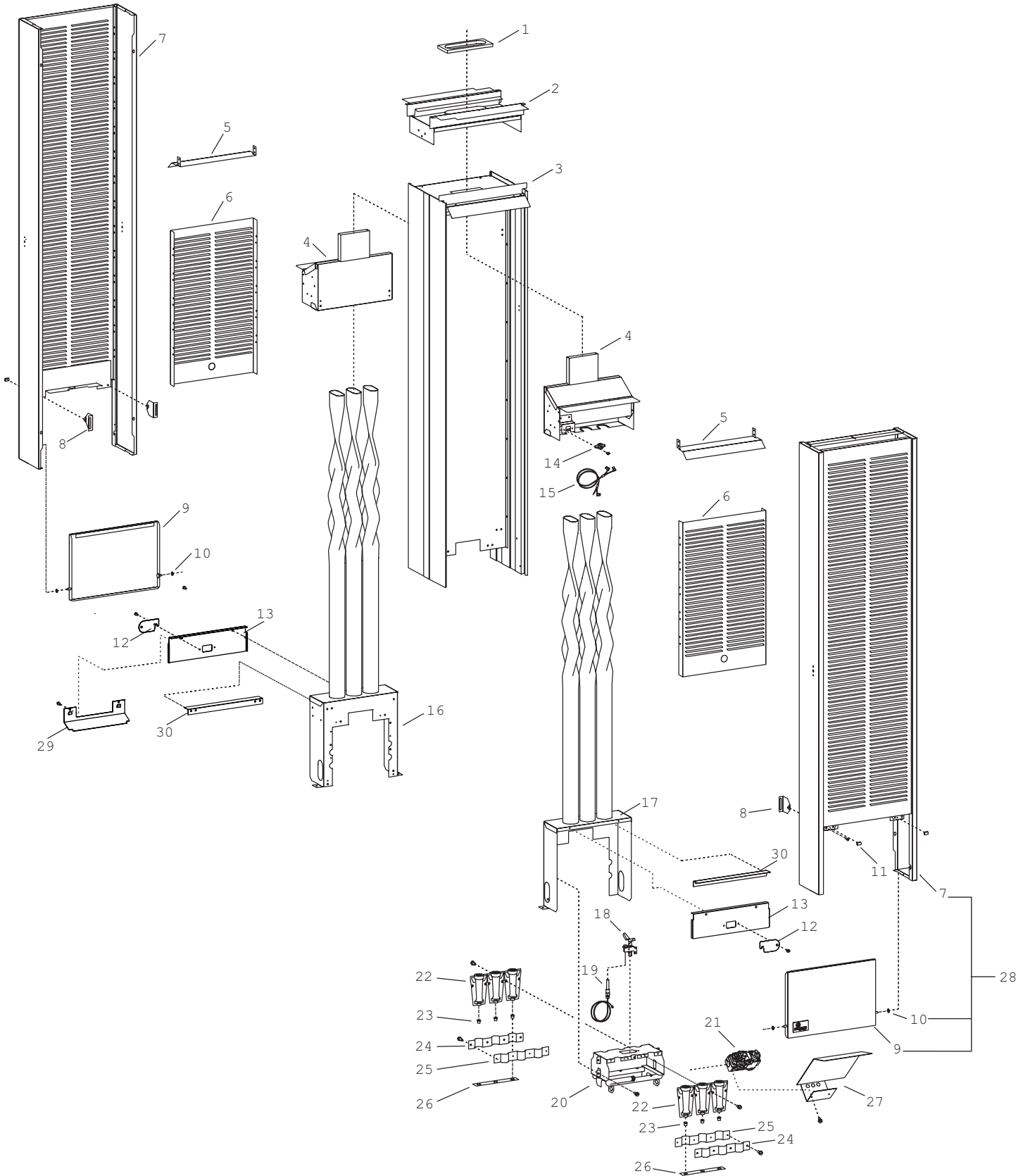
Numéro de série du radiateur _____ Numéro de la pièce _____

Sorte de Gaz (Propane ou Naturel) _____

Ne pas commander les boulons, les vis, les rondelles ou les écrous. Ce sont des pièces standard que vous pouvez acheter dans les quincailleries.

L'expédition des marchandises se fera sans délai, excepté en cas de grèves, de feux ou toutes autres circonstances indépendantes de notre volonté.

VUE DES PIÈCES



INSTRUCTIONS POUR L'INSTALLATION DE LA SOUFFLERIE FACULTATIVE

GWTB2W-1 POUR MODÈLES
GWT-25W, GWT-35W, GWT-50W

Installation de la Soufflerie en Utilisant une Fiche à Trois Broches

1. Installer la fournaise selon les Instructions pour l'Installation et Manuel du Propriétaire.
2. Référez-vous au dessin pour les mesures qui vous permettront de localiser (2) trous de montage sur la surface murale au-dessus de la fournaise.

Sur un Mur Solide

3. Après avoir localiser les trous de montage, attacher (2) vis 10 x 1 1/2" (38mm) dans le mur. Les vis sont fournies dans l'ensemble de la soufflerie. Ne vissez pas complètement les vis au mur, laisser un espace de 7/16" (11mm) entre la tête de la vis et le mur.

Sur un Mur en Placoplâtre

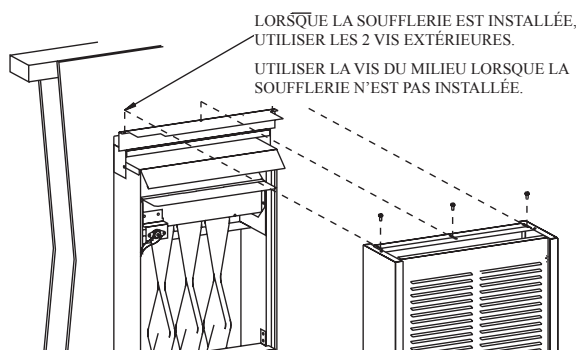
3. Après avoir localiser les trous de montage, percer (2) trous de 5/16" (7.8mm) de diamètre dans le mur. Insérer les (2) ancrages d'expansion en plastique dans les trous. Insérer les (2) vis 10 x 1 1/2" (38mm) dans les ancrages d'expansion en plastique. Les vis sont fournies dans l'ensemble de la soufflerie. Ne vissez pas complètement les vis dans les ancrages d'expansion en plastique, laisser un espace de 7/16" (11mm) entre la tête de la vis et l'ancrage d'expansion en plastique. Référez-vous à la Figure 2.
4. À la partie supérieure de la paroi extérieure, enlevez la (1) vis du trou du milieu qui attachent la paroi extérieure avec le collecteur. Aussi enlevez les (2) vis qui attachent la partie inférieure de la paroi extérieure à la paroi intérieure.
5. Tirer la paroi extérieure vers l'avant approximativement 1" (26mm) de la surface murale.
6. Enlever (4) vis 8 x 3/8" qui attachent l'avant de la soufflerie au châssis de la soufflerie.

Avvertissement: Lorsque vous enlevez la paroi avant de la soufflerie, faites attention de ne pas endommager la bobine de fils électrique du moteur. Si la bobine de fils électrique est endommagée, ceci mettra la soufflerie hors de service

7. Placer le châssis de la soufflerie sur le dessus de l'ensemble collecteur et acheminer le cordon électrique à trois broches entre le côté gauche de la paroi extérieure et la paroi intérieure.

Attention: L'acheminement du cordon électrique est très important. Le cordon électrique doit être localiser adéquatement pour éviter le surchauffage. Des dommages au cordon électrique peuvent survenir si le cheminement est inadéquat.

8. Replacer la paroi extérieure à la surface murale.
9. Attacher la paroi extérieure au collecteur. Attention: Le trou du milieu ne servira pas. Les deux trous libres extérieurs seront utilisés pour attacher la paroi extérieure au collecteur, (1) vis de l'Étape 4 et (1) vis du paquet



de quincaillerie. Référez-vous à la Figure 1.

Figure 1

10. Attacher la paroi extérieure à la paroi intérieure en utilisant les (2) vis de l'Étape 4.
11. Aligner les encoches de repérage sur l'arrière du châssis de la soufflerie avec les (2) vis qui sont attachées au mur. Placer le châssis de la soufflerie à fleur avec la surface murale et sur le dessus de la paroi extérieure. Visser complètement les vis du châssis de la soufflerie au mur. Ce sont les vis de

- l'Étape 3.
12. Placer les bouchons du châssis et de l'avant de la soufflerie.
13. Attacher l'avant de la soufflerie au châssis de la soufflerie en utilisant les quatre (4) vis 8 x 3/8" de l'Étape 6.
14. L'installation de la soufflerie facultative est complétée.

Attention: Lorsque vous installez le châssis de la soufflerie sur le mur, faites attention de ne pas endommager le serpentin du moteur.

Installation de la soufflerie avec l'Installation Électrique Permanente.

1. En faisant face à l'ouverture murale, installer la boîte de jonction pour la prise de courant de 120 volt à l'intérieur de l'ouverture murale sur le montant gauche approximativement 12" (312mm) au dessus de la plaque collectrice.
2. Référez-vous au dessin pour les mesures qui vous permettront de localiser sur le mur, le trou d'accès pour les fils électriques.
3. Après avoir localiser le trou d'accès, percez un trou de 1/2" (13mm) dans le mur.
4. Acheminer assez de fil électrique de la boîte de jonction pour la prise de courant de 120 volt et à travers le trou d'accès dans le mur pour brancher le châssis de la soufflerie.
5. Installer la fournaise selon les Instructions pour l'Installation et Manuel du Propriétaire.
6. Référez-vous au dessin pour les mesures qui vous permettront de localiser (2) trous de montage sur le mur au-dessus de la fournaise.

Sur un Mur Solide

7. Après avoir localiser les trous de montage, attacher (2) vis 10 x 1 1/2" (38mm) dans le mur. Les vis sont fournies dans l'ensemble de la soufflerie. Ne vissez pas complètement les vis au mur, laisser un espace de 7/16" entre la tête de la vis et le mur.

Sur un Mur en Placoplâtre

7. Après avoir localiser les trous de montage, percer (2) trous de 5/16" de diamètre dans le mur. Insérer les (2) ancrages d'expansion en plastique dans les trous. Insérer les (2) vis 10 x 1 1/2" dans les ancrages d'expansion en plastique. Les vis sont fournies dans l'ensemble de la soufflerie. Ne vissez pas complètement les vis dans les ancrages d'expansion en plastique, laisser un espace de 7/16" entre la tête de la vis et l'ancrage d'expansion en plastique. Référez-vous à la Figure 2.

8. Du châssis de la soufflerie, enlever le cordon électrique à trois broches.

9. Enlever les (4) vis 8 x 3/8" qui attachent l'avant de la soufflerie au châssis de la soufflerie.

10. Placer le châssis de la soufflerie sur le dessus du collecteur.

11. Acheminer le fil électrique de 120 volt dans le châssis de la soufflerie en passant à travers le trou pour le cordon électrique situé à l'arrière du châssis de la soufflerie.

12. Référez-vous au diagramme électrique pour faire les connexions des fils électriques à l'intérieur du châssis de la soufflerie. Soyez certain de suivre tous les codes électriques locaux et nationaux lorsque vous faites les connexions des fils électriques.

13. Aligner les encoches de repérage sur l'arrière du châssis de la soufflerie avec les (2) vis qui sont attachées au mur. Placer le châssis de la soufflerie à fleur avec la surface murale et sur le dessus de la paroi extérieure. Visser complètement les vis du châssis de la soufflerie au mur. Ce sont les vis de l'Étape 7.
14. Placer les bouchons du châssis et de l'avant de la soufflerie.

15. Attacher l'avant de la soufflerie au châssis de la soufflerie en utilisant les quatre (4) vis 8 x 3/8" de l'Étape 9.
16. L'installation de la soufflerie facultative est complétée.

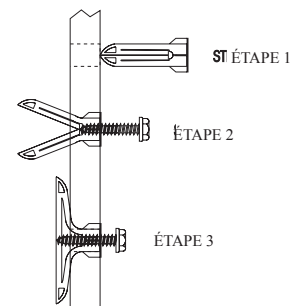


Figure 2

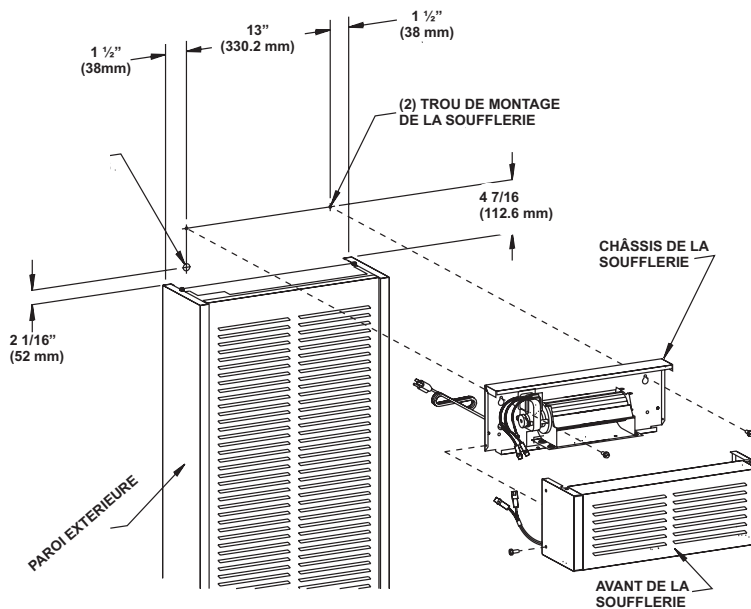


Figure 3

Commande du Ventilateur

La commande automatique du ventilateur est située au bas de la soufflerie. La commande du ventilateur n'est pas réglable, type automatique. La commande du ventilateur exige que le brûleur fonctionne entre 3 et 7 minutes, avant que la commande du ventilateur "ferme" et active la soufflerie. La soufflerie continuera de fonctionner entre 3 et 7 minutes après que le brûleur principal s'arrêtera, et avant que la commande du ventilateur "s'ouvre" et désactive la soufflerie.

Installation des Fils Électriques

Si vous utilisez une source électrique extérieure, l'appareil, lorsqu'il est installé, doit avoir une prise de terre conforme avec les codes locaux ou dans l'absence de codes locaux, avec le National Electrical Code, ANSI/NFPA70 ou Canadian Electrical Code, CSA C22.1. Pour votre protection contre les dangers de chocs, cet appareil est muni d'une fiche à trois broches (prise de terre) qui doit être branchée directement dans une prise de courant femelle qui a été convenablement mise à terre. Ne pas couper ou enlever la broche de mise à terre de cette fiche. Pour une prise de courant femelle qui n'a pas de mise à terre, un adaptateur qui a deux broches et un fil de mise à terre peut être acheté et branché dans la prise de courant femelle qui n'a pas de mise à terre et le fil doit être attaché à la vis du support de la prise de courant. Avec ce fil complétant la mise à terre, la fiche de l'appareil peut être branchée dans l'adaptateur.

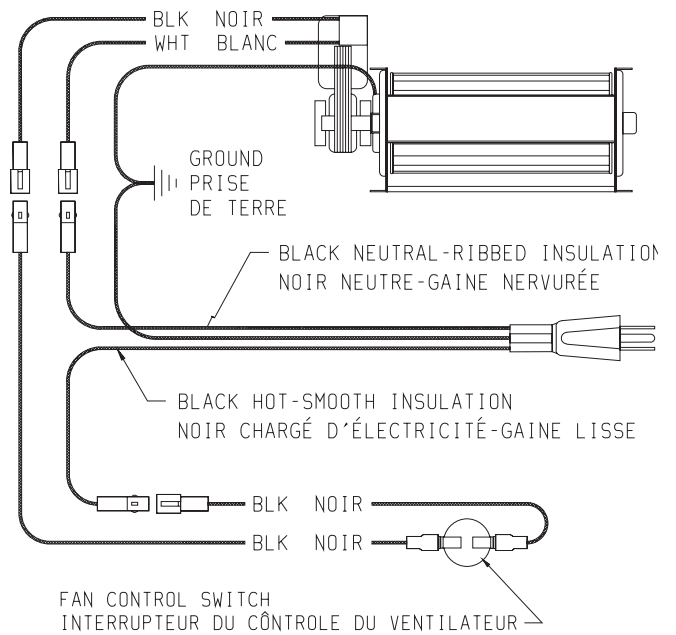
AVERTISSEMENT
Débrancher l'accessoire de la soufflerie n'arrêtera pas le cycle de la fournaise. Pour fermer la fournaise: Tourner le cadran de température ou le thermostat à son plus bas réglage. Tourner le bouton de commande de gaz à "FERMÉ", relâcher légèrement. Ne pas forcer.

AVERTISSEMENT: Lors de l'entretien des commandes, tous les fils doivent être identifiés avant de les débrancher. Une erreur de filetage peut entraîner un mauvais et dangereux fonctionnement. Vérifier que le fonctionnement soit convenable après l'entretien.

Huiler

Le moteur de la soufflerie n'a pas de trou pour l'huile. N'essayez pas d'huiler le moteur de la soufflerie.

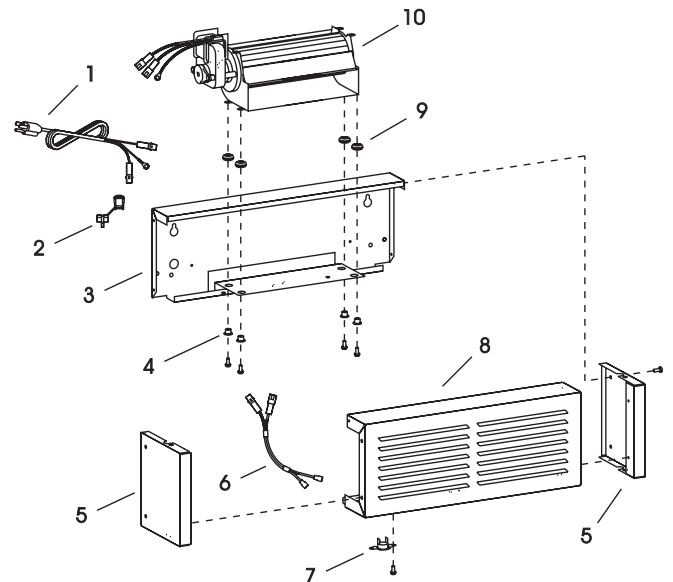
GWTB2W DIAGRAMME DE L'INSTALLATION ÉLECTRIQUE



IF ANY OF THE ORIGINAL WIRE AS SUPPLIED WITH THIS UNIT MUST BE REPLACED, IT MUST BE REPLACED WITH 125°C WIRE OR ITS EQUIVALENT. S'IL Y A UN FIL ORIGINAL FOURNI AVEC L'APPAREIL QUI DOIT ÊTRE REMPLACÉ, IL DOIT ÊTRE REMPLACÉ AVEC UN FIL DU GENRE 125°C OU L'ÉQUIVALENT.

Liste des Pièces

Numéro d'index	Numéro de la pièce	Description
1	R-2204	Cordon électrique
2	8720161	Manchon de tension
3	36334	Assemblage du châssis de la soufflerie
4	8520142	Bague en laiton (exige 4)
5	36338	Côté du châssis de la soufflerie (exige 2)
6	R-3085	Assemblage des fils
7	R-2503	Interrupteur du ventilateur
8	36337	Devant du châssis de la soufflerie
9	8520141	Anneau de caoutchouc (exige 4)
10	R-2804A	Moteur de la soufflerie





Empire Comfort Systems Inc.
Belleville, IL

Pour toute question générale concernant nos produits, veuillez nous envoyer un courriel à info@empirecomfort.com.

Pour toute question d'entretien ou de réparation, veuillez contacter votre revendeur.

www.empirecomfort.com