

DECORATIVE FIREPLACE FRAME INSTALLATION INSTRUCTIONS

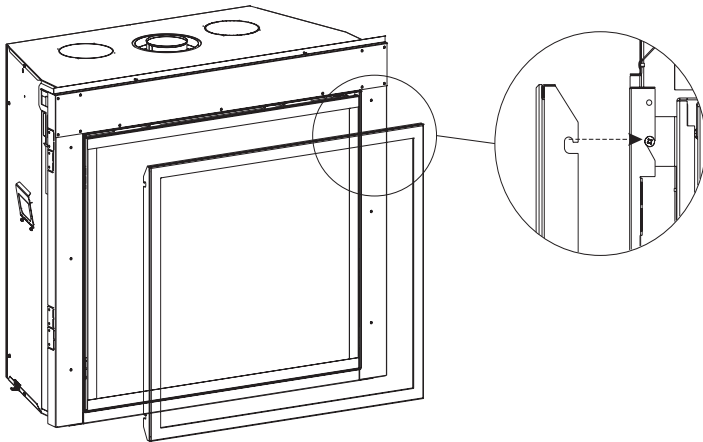
DECORATIVE FIREPLACE FRAME		
DF362CNB-1 And DFF36FPD-1 For Use On DVCT36 Series Fireplaces	DFF40CPD-1 And DFF40RPD-1 For Use On DVCT40 Series Fireplaces	DFF50FPD For Use On DVCT50 Series Fireplaces
DFF30FPD-1 For Use On DVCT30 Series Fireplace Inserts	DFF35FPD-1 For Use On DVCT35 Series Fireplace Inserts	

CLEANING

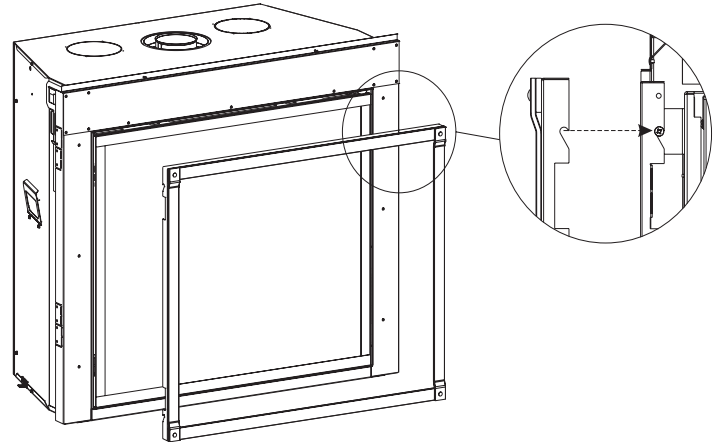
With the unit turned off and cool to the touch, use a 50/50 solution of vinegar and water and a clean soft cloth to remove dirt and fingerprints. Clean doors and/or frame before and after start-up and again anytime oil or fingerprints are present. When heated, oil from fingerprints or left over from manufacturing can permanently discolor the nickel plating on the beveled frame.

INSTALLATION

Slide the decorative front onto the glass frame over the barrier screen so the notches hang on the four screws.



DF402NB SHOWN
Beveled Frame - Nickel Plated



DFF40FPD SHOWN
Forged Iron Frame