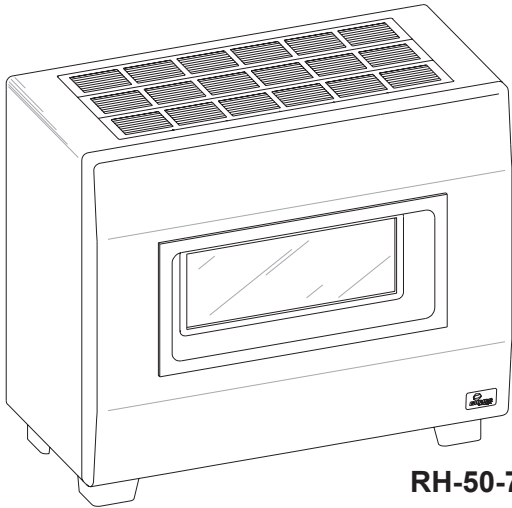




INSTALLATION INSTRUCTIONS AND OWNER'S MANUAL



RH-50-7 Shown

VENTED ROOM HEATER

MODELS

RH-50-7

RH-50C-2

RH-65-7

RH-65C-2



⚠ WARNING

FIRE OR EXPLOSION HAZARD

If the information in these instructions is not followed exactly, a fire or explosion may result causing property damage, personal injury or loss of life.

- Do not store or use gasoline or other flammable vapors and liquids in the vicinity of this or any other appliance.
- **WHAT TO DO IF YOU SMELL GAS**
 - Do not try to light any appliance.
 - Do not touch any electrical switch; do not use any phone in your building.
 - Leave the building immediately.
 - Immediately call your gas supplier from a neighbor's phone. Follow the gas supplier's instructions.
 - If you cannot reach your gas supplier, call the fire department.
- Installation and service must be performed by a qualified installer, service agency or the gas supplier.

INSTALLER:

Leave this manual with the appliance.

CONSUMER:

Retain this manual for future reference.

⚠ WARNING

If not installed, operated and maintained in accordance with the manufacturer's instructions, this product could expose you to substances in fuel or from fuel combustion which can cause death or serious illness.

TABLE OF CONTENTS

SECTION	PAGE
IMPORTANT SAFETY INFORMATION.....	3
SAFETY INFORMATION FOR USERS OF PROPANE GAS.....	4
INTRODUCTION.....	5 - 6
SPECIFICATIONS.....	6
GAS SUPPLY.....	7
CLEARANCES.....	8
VENTING.....	8
VENTING GUIDELINES.....	9
VENT SAFETY SHUTOFF SYSTEM.....	10
REVERSIBLE VERTICAL OR HORIZONTAL DRAFT DIVERTER.....	10
THERMOSTAT OPERATION.....	10
LIGHTING INSTRUCTIONS.....	11
PILOT FLAME CHARACTERISTICS.....	12
MAIN BURNER FLAME CHARACTERISTICS.....	12
MAINTENANCE.....	13
TROUBLESHOOTING.....	13
PARTS LIST RH-50 & RH-65.....	14
PARTS VIEW RH-50 & RH-65.....	15
PARTS LIST RH-50C & RH-65C.....	16
PARTS VIEW RH-50C & RH-65C.....	17
OPTIONAL BLOWER INSTALLATION INSTRUCTIONS.....	18 - 19
APPLIANCE SERVICE HISTORY.....	20 - 21
MASTER PARTS DISTRIBUTOR LIST.....	22
HOW TO ORDER REPAIR PARTS.....	22
WARRANTY.....	23

IMPORTANT SAFETY INFORMATION

THIS IS A HEATING APPLIANCE

DO NOT OPERATE THIS APPLIANCE WITHOUT FRONT PANEL INSTALLED.

- Due to high temperatures, the room heater should be located out of traffic and away from furniture and draperies.
- Children and adults should be alerted to the hazards of high surface temperature and should stay away to avoid burns or clothing ignition.
- Young children should be carefully supervised when they are in the same room as the room heater.
- Clothing or other flammable material should not be placed on or near the room heater.
- Due to high surface temperatures, keep children, clothing and furniture away.
- Keep burner and control compartment clean.
- Installation and repair should be done by a QUALIFIED SERVICE PERSON. The room heater should be inspected before use and at least annually by a qualified service person. More frequent cleaning may be required due to excessive lint from carpeting, bedding material, etc. It is imperative that control compartments, burners and circulating air passageways of the room heater be kept clean.
- DO NOT put anything around the heater that will obstruct the flow of combustion and ventilation air. See clearances.
- DO keep the appliance area clear and free from combustible material, gasoline and other flammable vapors and liquids.
- DO examine burners periodically. Clean and replace damaged parts.
- DO NOT use this heater if any part has been under water. Immediately call a qualified service technician to inspect the heater and to replace any part of the control system and any gas control which has been under water.
- **WARNING:** Any change to this room heater or its controls can be dangerous. Any safety screen or guard removed for servicing a room heater must be replaced prior to operating the room heater.

SAFETY INFORMATION FOR USERS OF PROPANE GAS

Propane is a flammable gas which can cause fires and explosions. In its natural state, propane is odorless and colorless. You may not know all the following safety precautions which can protect both you and your family from an accident. Read them carefully now, then review them point by

point with the members of your household. Someday, when there may not be a minute to lose, everyone's safety will depend on knowing exactly what to do. If, after reading the following information, you feel you still need more information, please contact your gas supplier.

PROPANE GAS WARNING ODOR

If a gas leak happens, you should be able to smell the gas because of the odorant put in the Propane Gas. That's your signal to go into immediate action!

- Do not operate electric switches, light matches, use your phone. Do not do anything that could ignite the gas.
- Get everyone out of the building vehicle, trailer, or area. Do that IMMEDIATELY.
- Close all gas tank or cylinder supply valves.
- Propane Gas is heavier than air and may settle in low areas such as basements. When you have reason to suspect a gas leak, keep out of basements and other low areas. Stay out until firefighters declare them to be safe.
- Use your neighbor's phone and call a trained Propane Gas service person and the fire department. Even though you may not continue to smell gas, do not turn on the gas again. Do not re-enter the building, vehicle, trailer, or area.
- **Finally**, let the service man and firefighters check for escaped gas. Have them air out the area before you return. Properly trained Propane Gas service people should repair the leak, then check and relight the gas appliance for you.

NO ODOR DETECTED - ODOR FADE

Some people cannot smell well. Some people cannot smell the odor of the chemical put into the gas. You must find out if you can smell the odorant in propane. Smoking can decrease your ability to smell. Being around an odor for a time can affect your sensitivity or ability to detect that odor. Sometimes other odors in the area mask the gas odor. People may not smell the gas odor or their minds are on something else. Thinking about smelling a gas odor can make it easier to smell.

The odorant in Propane Gas is colorless, and it can fade under some circumstances. For example, if there is an underground leak, the movement of the gas through soil can filter the odorant. Odorants in Propane Gas also are subject to oxidation. This fading can occur if there is rust inside the storage tank or in iron gas pipes.

The odorant in escaped gas can adsorb or absorb onto or into walls, masonry and other materials and fabrics in a room. That will take some of the odorant out of the gas, reducing its odor intensity.

Propane Gas may stratify in a closed area, and the odor intensity could vary at different levels. Since it is heavier than air, there may be more odor at lower levels. Always be sensitive to the slightest gas odor. If you detect any odor, treat it as a serious leak. Immediately go into action as instructed earlier.

SOME POINTS TO REMEMBER

- **Learn to recognize the odor of Propane Gas.** Your local Propane Gas Dealer can give you a "Scratch and Sniff" pamphlet. Use it to find out what the propane odor smells like. If you suspect that your Propane Gas has a weak or abnormal odor, call your Propane Gas dealer.
- If you are not qualified, do not light pilot lights, perform service, or make adjustments to appliances on the Propane Gas system. If you are qualified, consciously think about the odor of Propane Gas prior to and while lighting pilot lights or performing service or making adjustments.
- Sometimes a basement or a closed-up house has a musty smell that can cover up the Propane Gas odor. Do not try to light pilot lights, perform service, or make adjustments in an area where the conditions are such that you may not detect the odor if there has been a leak of Propane Gas.
- Odor fade, due to oxidation by rust or adsorption on walls of new cylinders and tanks, is possible. Therefore, people should be particularly alert and careful when new tanks or cylinders are placed in service. Odor fade can occur in new tanks, or reinstalled old tanks, if they are filled and allowed to set too long before refilling. Cylinders and tanks which have been out of service for a time may develop internal rust which will cause odor fade. If such conditions are suspected to exist, a periodic sniff test of the gas is advisable. **If you have any question about the gas odor, call your Propane Gas dealer. A periodic sniff test of the Propane Gas is a good safety measure under any condition.**
- If, at any time, you do not smell the Propane Gas odorant and you think you should, assume you have a leak. Then take the same immediate action recommended above for the occasion when you do detect the odorized Propane Gas.
- If you experience a complete "gas out," (the container is under no vapor pressure), turn the tank valve off immediately. If the container valve is left on, the container may draw in some air through openings such as pilot light orifices. If this occurs, some new internal rusting could occur. If the valve is left open, then treat the container as a new tank. Always be sure your container is under vapor pressure by turning it off at the container before it goes completely empty or having it refilled before it is completely empty.

INTRODUCTION

Introduction

Always consult your local Building Department regarding regulations, codes or ordinances which apply to the installation of a vented room heater.

Instructions to Installer

1. Installer must leave instruction manual with owner after installation.
2. Installer must have owner fill out and mail warranty card supplied with heater.
3. Installer should show owner how to start and operate heater and thermostat.

General Information

This series is design certified in accordance with American National Standard/CSA Standard Z21.86 and CSA 2.32 by the Canadian Standards Association, as a Vented Room Heater and must be installed according to these instructions.

Any alteration of the original design, installed other than as shown in these instructions or use with a type of gas not shown on the rating plate is the responsibility of the person and company making the change.

Important

All correspondence should refer to complete Model Number, Serial Number and type of gas.

NOTICE: During initial firing of this unit, its paint will bake out and smoke will occur. To prevent triggering of smoke alarms, ventilate the room in which the unit is installed.

Installation on Rugs and Tile

If this appliance is to be installed directly on carpeting, tile, or other combustible material, other than wood flooring, the appliance shall be installed on a metal or wood panel extending the full width and depth of the appliance.

The base referred to above does not mean the fire-proof base as used on wood stoves. The protection is primarily for rugs that may be extremely thick and light-color tile that can discolor.

Floor pad is available from Empire Comfort Systems, Inc., Part Number RH-425.

Qualified Installing Agency

Installation and replacement of gas piping, gas utilization equipment or accessories and repair and servicing of equipment shall be performed only by a qualified agency. The term "qualified agency" means any individual, firm, corporation, or company which whether in person or through a representative is engaged in and is responsible for (1) the installation or replacement of gas piping or (b) the connection, installation, repair or servicing of equipment, who is experienced in such work, familiar with all precautions required and has complied with all the requirements of the authority having jurisdiction.

Commonwealth of Massachusetts: The installation must be made by a licensed plumber or gas fitter in the Commonwealth of Massachusetts

The installation must conform with local codes, or in the absence of local codes, with the National Fuel Gas Code, ANSI Z223.1*/Canadian Installation Code, CAN/CGA B149.

**Available from the American National Standards Institute, Inc., 11 West 42nd St., New York, N.Y. 10036*

High Altitudes

For altitudes/elevations above 2,000 feet (610m), input ratings should be reduced at the rate of 4 percent for each 1,000 feet (305m) above sea level. **Canadian High Altitudes** for locations having an elevation above mean sea level between 2,000 feet (610m) and 4,500 feet (1370m), the manifold pressure is to be decreased from 4.0" w.c. (.996kPa) to 3.2" w.c. (.797kPa) for Natural Gas and from 10.0" w.c. (2.49kPa) to 8.0" w.c. (1.99kPa) for Propane Gas.

INTRODUCTION (CONT'D)

When an existing Category 1 heater is removed or replaced, the original venting system may no longer be sized to properly vent the attached appliances. Instructions shall also indicate effects of an

improperly sized venting system (formation of condensate, leakage, spillage, etc.) and shall specify the following test procedure:

⚠ WARNING

CARBON MONOXIDE POISONING HAZARD

Failure to follow the steps outlined below for each appliance connected to the venting system being placed into operation could result in carbon monoxide poisoning or death.

The following steps shall be followed for each appliance connected to the venting system being placed into operation, while all other appliances connected to the venting system are not in operation:

1. Seal any unused openings in the venting system.
2. Inspect the venting system for proper size and horizontal pitch, as required in the National Fuel Gas Code, ANSI Z223.1/NFPA 54 or the Natural Gas and Propane Installation Code, CSA B149.1 and these instructions. Determine that there is no blockage or restriction, leakage, corrosion and other deficiencies which could cause an unsafe condition.
3. As far as practical, close all building doors and windows and all doors between the space in which the appliance(s) connected to the venting system are located and other spaces of the building.
4. Close fireplace dampers.
5. Turn on clothes dryers and any appliance not connected to the venting system. Turn on any exhaust fans, such as range hoods and bathroom exhausts, so they are operating at maximum speed. Do not operate a summer exhaust fan.
6. Follow the lighting instructions. Place the appliance being inspected into operation. Adjust the thermostat so appliance is operating continuously.
7. Test for spillage from draft hood equipped appliances at the draft hood relief opening after 5 minutes of main burner operation. Use the flame of a match or candle.
8. If improper venting is observed during any of the above tests, the venting system must be corrected in accordance with National Fuel Gas Code, ANSI Z223.1/NFPA 54 and/or Natural Gas and Propane Installation Code, CSA B149.1.
9. After it has been determined that each appliance connected to the venting system properly vents when tested as outlined above, return doors, windows, exhaust fans, fireplace dampers and any other gas-fired burning appliance to their previous conditions of use.

SPECIFICATIONS

Models	RH-50B	RH-65B	RH-50C	RH-65C	RH-50CB	RH-65CB
Input BTU/HR (KW/H)	50,000 (14.6)	65,000 (19)	50,000 (14.6)	65,000 (19)	50,000 (14.6)	65,000 (19)
Height	29 9/16" (751mm)	29 9/16" (751mm)	29 9/16" (751mm)	29 9/16" (751mm)	29 9/16" (751mm)	29 9/16" (751mm)
Width	34" (864mm)	34" (864mm)	34" (864mm)	34" (864mm)	34" (864mm)	34" (864mm)
Depth including diverter	23 3/16" (589mm)	27 11/16" (704mm)	23 3/16" (589mm)	27 11/16" (704mm)	23 3/16" (589mm)	27 11/16" (704mm)
Gas Inlet	1/2" (13mm)	1/2" (13mm)	1/2" (13mm)	1/2" (13mm)	1/2" (13mm)	1/2" (13mm)
Size Draft Diverter Collar	5" (127mm)	5" (127mm)	5" (127mm)	5" (127mm)	5" (127mm)	5" (127mm)
Floor to top of collar on vertical position of Draft Diverter	27 5/32" (690mm)	27 5/32" (690mm)	27 5/32" (690mm)	27 5/32" (690mm)	27 5/32" (690mm)	27 5/32" (690mm)
Floor to center of collar on horizontal position of Draft Diverter	22 9/16" (573mm)	22 9/16" (573mm)	22 9/16" (573mm)	22 9/16" (573mm)	22 9/16" (573mm)	22 9/16" (573mm)

ACCESSORIES

Blower Package	Included	Included	FRB-3	FRB-3	Included	Included
Radiant Package	RAD-8	RAD-8	N/A	N/A	N/A	N/A
Floor Pad	RH-425	RH-425	RH-425	RH-425	RH-425	RH-425
Ceramic Log	RHL-2	RHL-2	N/A	N/A	N/A	N/A

CONVERSION KITS

Part Number	Description	Used On
33726	Propane to Natural	RH50(B,C,CB)LPG
33724	Natural to Propane	RH50(B,C,CB)NAT
33727	Propane to Natural	RH65(B,C,CB)LPG
33725	Natural to Propane	RH65(B,C,CB)NAT

GAS SUPPLY

RECOMMENDED GAS PIPE DIAMETER				
Pipe Length	Schedule 40 Pipe Inside Diameter		Tubing, Type L Outside Diameter	
	Natural	Propane	Natural	Propane
0-10 feet 0-3 meters	1/2" 12.7 mm	3/8" 9.5mm	1/2" 12.7 mm	3/8" 9.5 mm
10-40 feet 4-12 meters	1/2" 12.7 mm	1/2" 12.7mm	5/8" 15.9 mm	1/2" 12.7 mm
40-100 feet 13-30 meters	1/2" 12.7 mm	1/2" 12.7mm	3/4" 19 mm	1/2" 12.7 mm
100-150 feet 31-46 meters	3/4" 19 mm	1/2" 12.7 mm	7/8" 22.2 mm	3/4" 19 mm

NOTE: Never use plastic pipe. Check to confirm whether your local codes allow copper tubing or galvanized.

NOTE: Since some municipalities have additional local codes, it is always best to consult your local authority and installation code.

The use of the following gas connectors is recommended:

- ANS Z21.24 Appliance Connectors of Corrugated Metal Tubing and Fittings
- ANS Z21.45 Assembled Flexible Appliance Connectors of Other Than All-Metal Construction

The above connectors may be used if acceptable by the authority having jurisdiction. The Commonwealth of Massachusetts requires that a flexible appliance connector cannot exceed three feet in length.

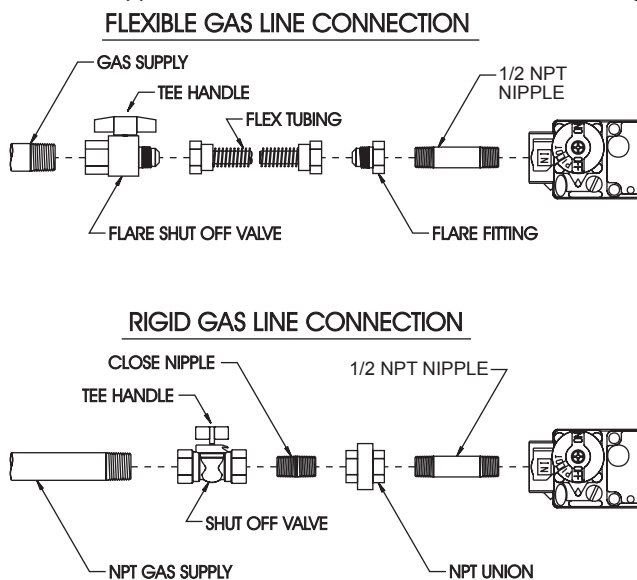


Figure 1

Consult the current National Fuel Gas Code, ANSI Z223.1 CAN/CGA-B149 (.1 or .2) installation code.

Installing a New Main Gas Shut-Off

Each appliance should have its own manual gas shut-off.

A manual main gas shut-off should be located in the vicinity of the unit. Where none exists, or where its size or location is not adequate, contact your local authorized installer for installation or relocation.

Compounds used on threaded joints of gas piping shall be resistant to the action of liquefied petroleum gases. The gas lines must be checked for leaks by the installer. This should be done with a soap solution watching for bubbles on all exposed connections, and if unexposed, a pressure test should be made.

Never use an exposed flame to check for leaks. Appliance must be disconnected from piping at inlet of control valve and pipe capped or plugged for pressure test. Never pressure test with appliance connected; control valve will sustain damage!

A gas valve and ground joint union should be installed in the gas line upstream of the gas control to aid in servicing. It is required by the National Fuel Gas Code that a drip line be installed near the gas inlet. This should consist of a vertical length of pipe tee connected into the gas line that is capped on the bottom in which condensation and foreign particles may collect.

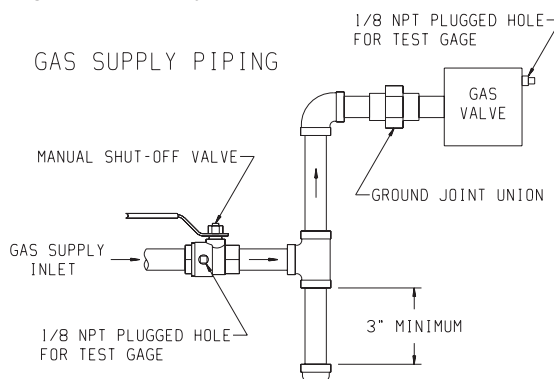


Figure 2 - Method of Installing a Tee Fitting Sediment Trap

Pressure Testing of the Gas Supply System

1. To check the inlet pressure to the gas valve, a 1/8" (3mm) N.P.T. plugged tapping, accessible for test gauge connection, must be placed immediately upstream of the gas supply connection to the appliance.
2. The appliance and its individual shutoff valve must be disconnected from the gas supply piping system during any pressure testing of that system at test pressures in excess of 1/2 psig (3.5 kPa)
3. The appliance must be isolated from the gas supply piping system by closing its individual manual shutoff valve during any pressure testing of the gas supply piping system at test pressures equal to or less than 1/2 psig 3.5 (kPa).

Attention! If one of the above procedures results in pressures in excess of 1/2 psig (14" w.c.) (3.5 kPa) on the appliance gas valve, it will result in a hazardous condition.

Checking Manifold Pressure

Both Propane and Natural Gas valves have a built-in pressure regulator in the gas valve. Natural Gas models will have a manifold pressure of approximately 4.0" w.c. (.996kPa) at the valve outlet with the inlet pressure to the valve from a minimum of 5.0" w.c. (1.245kPa) for the purpose of input adjustment to a maximum of 10.5" w.c. (2.61kPa). Propane Gas models will have a manifold pressure approximately 10.0" w.c. (2.49kPa) at the valve outlet with the inlet pressure to the valve from a minimum of 11.0" w.c. (2.739kPa) for the purpose of input adjustment to a maximum of 13.0" w.c. (3.23kPa).

A 1/8" (3mm) N.P.T. plugged tapping, accessible for test gauge connection, is located on the outlet side of the gas control.

CLEARANCES

Clearances: When facing the front of the room heater the minimum clearances to combustible construction (material) are the following:

Left side - 6 inches (152mm)

Right side - 6 inches (152mm)

Recommend 18 inches (457mm) on left side for servicing

Do not install in alcove or closet.

No horizontal projection above heater permitted within 55 inches (140 cm).

Ceiling 55 inches (140cm)

Draft hood to rear wall 2 inches (51 mm)

Open in front to provide service, access, and clearance to construction.

VENTING

1. Flue pipe must be as large as the flue collar on the draft diverter.
2. Maintain an upward slope of at least 1/4 inch (6mm) per foot of horizontal run.
3. Run flue pipe as directly as possible with a minimum of elbows.
4. Flue pipe should extend through the wall of a chimney to be flush with inner wall.
5. Flue pipe must be adequately supported by metal strips.
6. Single wall vent pipe may be attached directly to the draft hood of the room heater when clearance of 2 1/2 inches (64mm) is maintained between the single wall vent pipe and the combustible wall of the room in which the room heater is located. Use double wall vent pipe for 1 inch (25mm) clearance to combustibles.
7. For flue pipe running through walls and roof, use B-1 [1 inch (25mm) clearance to combustibles] vent pipe.
8. Chimneys should extend at least 2 feet (.6m) above the roof and above any object or nearby building within 10 feet (3m).
9. Open tees should not be used in the flue pipe.
10. Appliance must not be connected to a chimney flue that is servicing a separate solid-fuel burning appliance.

For proper venting, do not attach a 90° elbow directly to draft diverter. If possible, attach 2 feet (.6m) of straight vent pipe before an elbow is used. Use of 45° elbows is recommended.

Uninsulated single-wall metal pipe shall not be used outdoors in cold climates for venting gas utilization equipment.

Ventilation and Combustion Air

Room heaters shall be installed in a location in which the facilities for ventilation permit satisfactory combustion of gas and proper venting under normal conditions. In buildings of conventional frame, brick or stone construction without tight storm windows and doors, infiltration is normally adequate to provide for combustion and draft hood dilution.

Where appliances are installed in a confined space within a building, the building being of unusually tight construction, air for combustion and ventilation must be obtained directly from outdoors or from such spaces that freely communicate with the outdoors. Under these conditions, the confined space shall be provided with two permanent openings, one near the top of the enclosure and one near the bottom; each opening shall have a free area of not less than one square inch (6.5cm²) per 1,000 BTU's (.3KW) of total input. The draft hood must be in the same atmospheric pressure zone as the combustion air inlet to the appliance.

Liner and Insulated Liner

When you install a vented room heater into a masonry chimney you must follow these steps.

1. The chimney must be lined and sized properly. Most masonry chimneys are over sized and absorb too much heat to be considered a proper vent. If you have any doubts line the chimney with the right size liner. If it's unlined you must line it.
2. Use an insulated liner when the chimney is on the outside, three sides exposed to the weather, and there is no clay liner in the chimney. The insulation will help keep the flue gases warmer.

Insulated Vent Enclosure

Vented room heaters installed with the vent going directly to the outside and above the eaves can cause poor venting. The cold pipe will have a delay in proper venting and cause the room heater to shut "off" by the vent safety switch. To prevent delayed venting as well as condensation of flue products an insulated enclosure is recommended.

Use type B 5" (127mm) diameter vent pipe and maintain at least a one inch (25mm) clearance to combustibles.

Use metal thimble to protect vent pipe as it passes through combustibles.

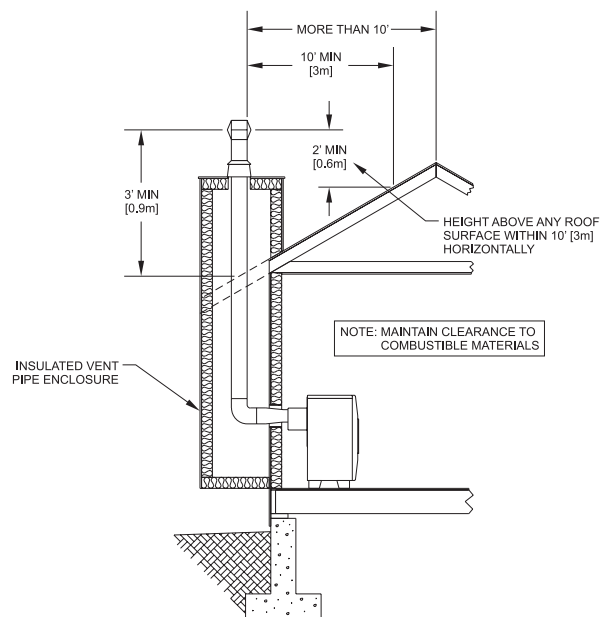


Figure 3

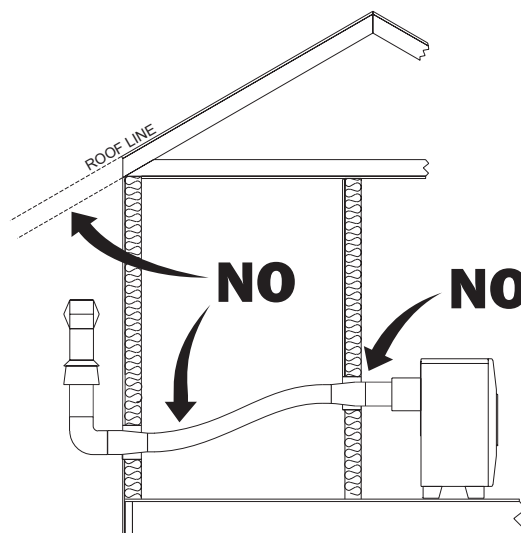
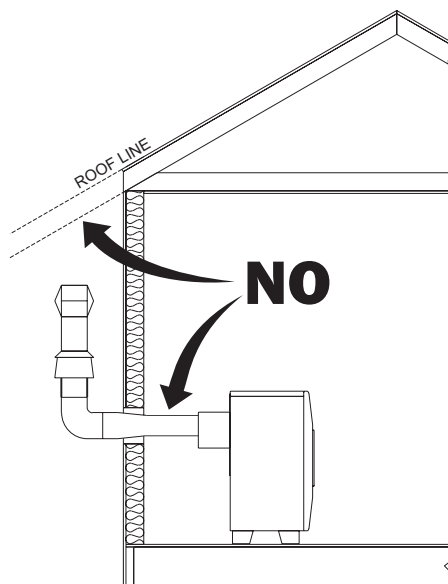
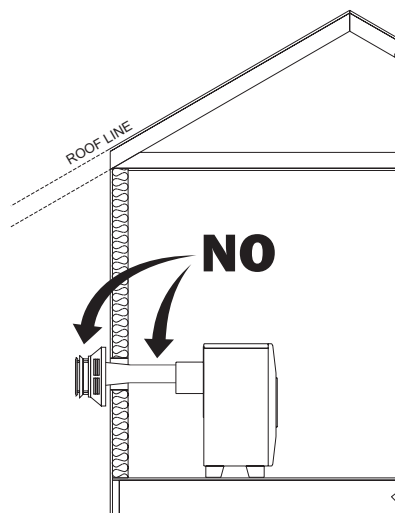
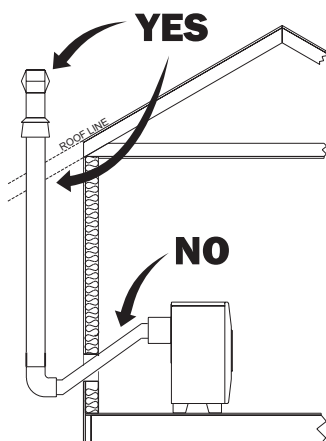
VENTING GUIDELINES

The installer must consider all of the following venting rules.

- Flue pipe **MUST** always have an upward slope (1/4 inch per foot minimum).
- Flue pipe **MUST** run as directly as possible and have as few elbows as possible.
- Flue pipe **MUST** be as large as the flue collar on the draft diverter.
- The flue pipe **MUST** be on the outside of the draft diverter collar.
- The flue pipe **MUST** be sealed. No open "Tees."
- The flue pipe's vertical rise **MUST** always be at least twice the length of the horizontal run.
- Each new piece of flue pipe that is connected when getting farther away from the furnace **MUST** connect on the outside of the previous one. Remember, the exhaust must flow "into" the next pipe.
- For flue pipe running through walls, roof and within one inch of combustible construction, use B-1 (one inch clearance to combustibles) vent pipe. Any combustible material that is within 2 inches of the vent connection or the draft diverter must be shielded with a non-combustible material.
- When connecting the flue pipe to the chimney, the pipe **MUST** go fully in and be cemented. The flue pipe **MUST NOT** go too far into the chimney. It should be cut off as it will interfere with normal venting.
- Flue pipe **MUST NOT** have any downward sloping sections, dips or sags.
- Do not use Type C single wall flue pipe. **Uninsulated single-wall metal pipe shall not be used outdoors in cold climates for venting gas utilization equipment.**
- The flue pipe **MUST NOT** be connected to a chimney that has a fireplace connected to it.

Helpful Hints

1. If you have a choice, select a location close to the chimney.
2. If there is no chimney, you will have to run a flue pipe from the furnace, up to and above the house roof. Select a location permitting the most direct run. Try going up to the roof through a closet. Remember that the flue pipe must slope upwards at least 1/4 of an inch for each foot and you may find floor joists in your path, so it is important to plan the run carefully.
3. If you have decided to go up to the roof through a closet, remember that you **MUST** keep a minimum distance of 1 inch between Type B vent pipe and any combustible material. Run it through a single wall pipe that is 2 inches larger in diameter than the flue pipe. Use thimbles when going through floor and ceiling and flashing when going through roof.



VENT SAFETY SHUT-OFF SYSTEM

This heater must be properly connected to a venting system. This heater is equipped with a vent safety shutoff system.

Warning:

Operation of this heater, when not connected to a properly installed and maintained venting system or tampering with the vent safety shutoff system, can result in carbon monoxide (CO) poisoning and possible death.

This appliance needs fresh air for safe operation and must be installed so there are provisions for adequate combustion and ventilation air.

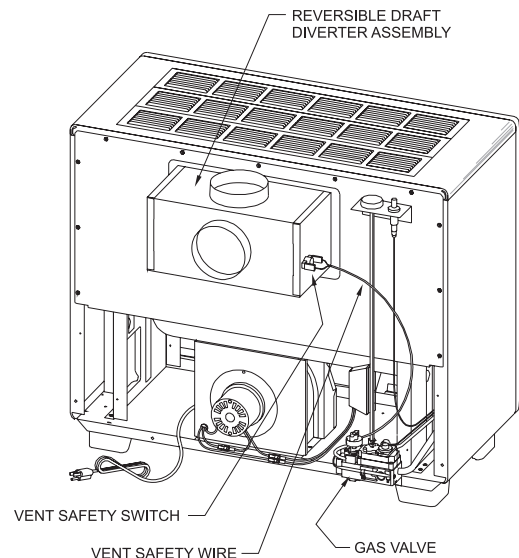
This room heater is equipped with a vent safety switch. The vent safety switch will cause gas flow to the pilot to “shut off” due to improper venting or a blocked flue.

If the vent safety switch continues to “shut off” the gas flow to the pilot, a qualified service person must be contacted to inspect for improper venting, blockage in the vent pipe or the vent safety switch for being defective.

REVERSIBLE VERTICAL OR HORIZONTAL DRAFT DIVERTER

This room heater has a reversible draft diverter. The draft diverter is installed in the vertical position at the factory. Please use the following steps to change the draft diverter from the vertical position to the horizontal position.

1. Remove L280 vent safety switch from the draft diverter.
2. Inside your yellow instruction envelope will be a 1 1/2" x 2 1/4" (38mm x 51mm) vent safety switch hole cover plate and two (2) 1/2" screws for attachment of vent safety switch hole cover plate to the draft diverter. Attach vent safety switch hole cover plate over hole on the draft diverter from which the L280 vent safety switch was removed.
3. Remove two (2) screws at bottom of draft diverter and lift upward to remove draft diverter from the draft diverter plate. Rotate draft diverter into the horizontal position and slide back into the draft diverter plate. Attach two (2) screws into bottom of the drafter diverter.
4. Remove vent safety switch hole knockout and two (2) knockouts for screws on opposite side of draft diverter.
5. Attach L280 vent safety switch to the draft diverter.
6. Repositioning of the draft diverter is completed.



DRAFT DIVERTER CAN BE EITHER A VERTICAL VENT OR HORIZONTAL VENT

Figure 4

THERMOSTAT OPERATION

To turn on burner, rotate dial knob toward setting number 7. To shut down burner, rotate dial knob toward setting number 1.

The dial numbers 1 to 7 correspond to 50° to 90°F (10° to 32°C). This temperature at the bulb thermostat, not the room temperature. The owner is advised to determine the particular heat setting that is desired for comfort, as heating requirements are different for every owner.

Attention: If no heat is desired, turn the gas control knob to the PILOT position.

LIGHTING INSTRUCTIONS


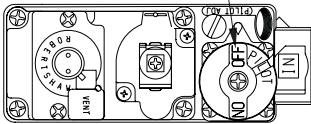
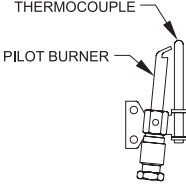


FOR YOUR SAFETY READ BEFORE LIGHTING

⚠ WARNING


If you do not follow these instructions exactly, a fire or explosion may result causing property damage, personal injury or loss of life.

- A. This appliance has a pilot which must be lighted by hand. When lighting the pilot, follow these instructions exactly.
- B. **BEFORE LIGHTING** smell all around the appliance area for gas. Be sure to smell next to the floor because some gas is heavier than air and will settle on the floor.
- WHAT TO DO IF YOU SMELL GAS**
- Do not try to light any appliance.
 - Do not touch any electrical switch; do not use any phone in your building.
 - Immediately call your gas supplier from a neighbor's phone, Follow the gas supplier's instructions.
 - If you cannot reach your gas supplier, call the fire department.
- C. Use only your hand to push in or turn the gas control knob. Never use tools. If the knob will not push in or turn by hand, don't try to repair it; call a qualified service technician. Force or attempted repair may result in a fire or explosion.
- D. Do not use this appliance if any part has been under water. Immediately call a qualified service technician to inspect the appliance and to replace any part of the control system and any gas control which has been under water.

LIGHTING INSTRUCTIONS

1. STOP! Read the safety information above on this label.
 2. Set thermostat to lowest setting.
 3. Turn off all electric power to the appliance (if applicable).
 4. Push in gas control knob slightly and turn clockwise to "OFF". 
- NOTE:** Knob cannot be turned from "PILOT" to "OFF" unless knob is pushed in slightly. DO NOT FORCE.
- 
5. Wait ten minutes to clear out any gas. Then smell for gas, including near the floor. If you smell gas, STOP! Follow "B" in the safety information above on this page. If you do not smell gas, go to the next step.
6. Open the front door of the heater and find pilot by following the metal tube from the gas control. Observe pilot through the combustion chamber glass.
- 
7. Turn gas control knob counterclockwise to "PILOT". 
8. Push and hold control knob in and repeatedly push the ignitor button until pilot is lit (or use match to light). Continue to hold the control knob in for about one minute after the pilot is lit. Release knob and it will pop back up. Pilot should remain lit. If it goes out, repeat steps 4 through 8.
 - If knob does not pop up when released, stop and immediately call a qualified service technician or gas supplier.
 - If the pilot will not stay lit after several tries, turn the gas control knob to "OFF" and call your service technician or gas supplier.
 9. Close the front door of the heater.
 10. Turn gas control knob counterclockwise to "ON". 
 11. Turn on all electric power to the appliance (if applicable).
 12. Set thermostat to desired setting.

TO TURN OFF GAS APPLIANCE

1. Set the thermostat to lowest setting.
2. Turn off all electric power to the appliance (if applicable), if service is to be performed.
3. Push in gas control knob slightly and turn clockwise to "OFF." Do not force. 

PILOT FLAME CHARACTERISTICS

The correct flame will be almost horizontal, blue and will extend past the thermocouple 1/4" (6mm). The flame will surround the thermocouple just below the tip.

On Propane Gas slight yellow might occur where the pilot flame and the burner flame meet.

Natural Gas pilots require adjusting when the inlet pressure is above 5" w.c. (1.25kPa). Remove pilot adjustment cover. Turn adjustment screw clockwise to reduce flame.

Propane Gas will not require adjusting.

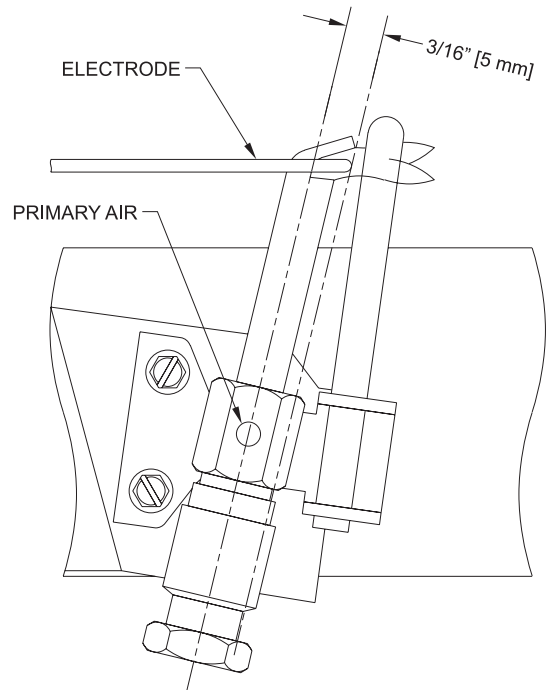


Figure 5

MAIN BURNER FLAME CHARACTERISTICS

There will be a short blue inner flame with a larger, lighter blue secondary flame. The burner flame may have yellow tips when hot. Dust in the combustion air will produce and orange or red flame. Do not mistake the orange or red flame for an improper yellow flame. The flame will be proper if the factory-set pressure and orifice are used. After use, cleaning may be required for the proper flame.

On Propane Gas, if a whistling noise (resonation) occurs:

- Screw the air adjustment bolt into the burner throat to eliminate the whistling noise (resonation).
- Size main burner orifice with a drill bit. For RH-50(C) use #47 drill bit. For RH-65(C) use 2.3mm drill bit.

Primary Air Adjustment see page 13.

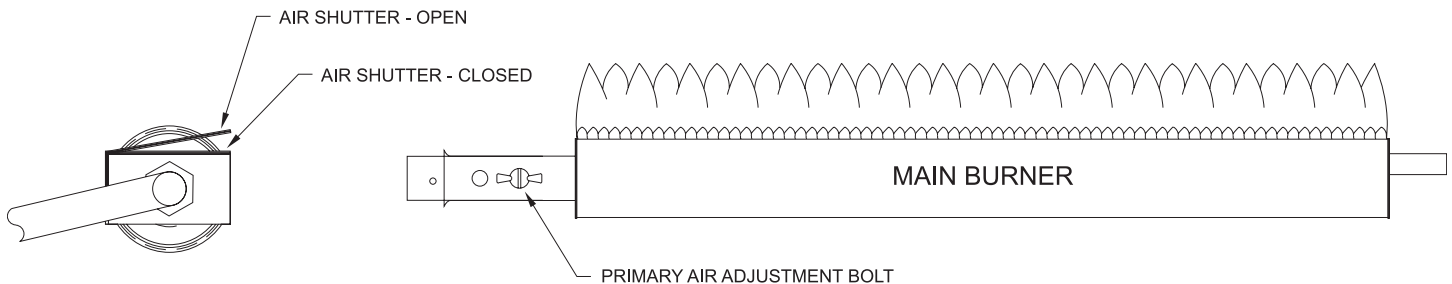


Figure 6

MAINTENANCE

Cleaning Pilot Burner

After use, cleaning of the pilot burner may be required for the proper flame. The pilot orifice can be cleaned with high pressure air or by placing under running water. Pilot orifice must be dry before replacement. Use a pipe cleaner to clean inside the pilot after the pilot orifice has been removed.

Removing Pilot Orifice

1. Disconnect the pilot supply line at the pilot burner
2. Remove pilot orifice from pilot burner. It may be necessary to tap on pilot burner in order to remove the pilot orifice.

Cleaning Main Burner

Remove the burner and apply water pressure inside the throat of the burner and down into the ports; follow with air pressure.

Removing Main Burner

1. Remove casing front.
2. Disconnect pilot bracket from the burner.
3. Remove brass nut from burner.
4. Disconnect burner from chamber leg flange.
5. Remove burner from bottom of combustion chamber.

Cleaning Combustion Chamber

A qualified serviceman should remove the chamber and apply air pressure to the inside in order to clear all passageways.

Primary Air Adjustment

1. A primary air adjustment bolt is located on left, front of burner throat. The bolt can be screwed into burner throat to REDUCE primary air or unscrewed from burner throat to INCREASE primary air. To reduce yellow flame on main burner, unscrew bolt from burner throat. Also, refer to Step 2. To reduce resonance (whistling) noise or extinction (popping) noise, screw bolt into burner throat.
2. An air shutter bracket is attached to top of burner throat. The air shutter bracket lays flat across top of burner throat. If yellow flames can not be removed from main burner by using primary air adjustment bolt, the air shutter bracket can be pivoted upward to allow additional primary air to enter burner throat.

On Propane Gas, if a whistling noise (resonation) occurs, screw the air adjustment bolt into the burner throat to eliminate the whistling noise (resonation).

TROUBLESHOOTING

1. Impossible to light pilot

- a. If using Piezo ignitor, check electrode location.
- b. Remove nut at orifice and check for gas.
- c. If gas available, check for blocked orifice or pilot.

2. Pilot outage

- a. Proper size of pilot flame.
- b. Defective or weak thermocouple.

3. Pilot flames but goes out

- a. Pilot flame not covering the thermocouple properly when knob is released.
- b. Defective thermocouple.
- c. Defective magnet in the safety section of valve.

4. Poor thermostatic control

- a. Defective thermostat section.

5. Noisy blower

- a. Tighten blower screws.
- b. Check blower wheel in the open for balance.

6. Yellow main burner flame

- a. Remove main burner to check for obstructions in throat, ports and orifices.
- b. Install new main burner orifice and pilot orifice
- c. Check gas valve for leaking.
- d. Open the air bolt on the main burner in order to increase the amount of primary air.

7. Yellow pilot flame

- a. Small yellow tip not objectionable.
- b. Remove pilot orifice. Check and clean.

8. Pilot and main burner go out after burning a few minutes

- a. Improper venting of flue products. Relight and check for improper venting.
- b. If vented properly, check vent safety switch, replace if defective.

9. Burner back-flashes or 'pops' and burns and main burner orifice.

- a. Examine burner for defects.

10. Inoperative blower

- a. Check fan control by shorting across terminals.
- b. Check for blower wheel bind by removing wheel and operating motor.
- c. Check for frozen bearings due to lack of oil.

PARTS LIST RH-50 & RH-65

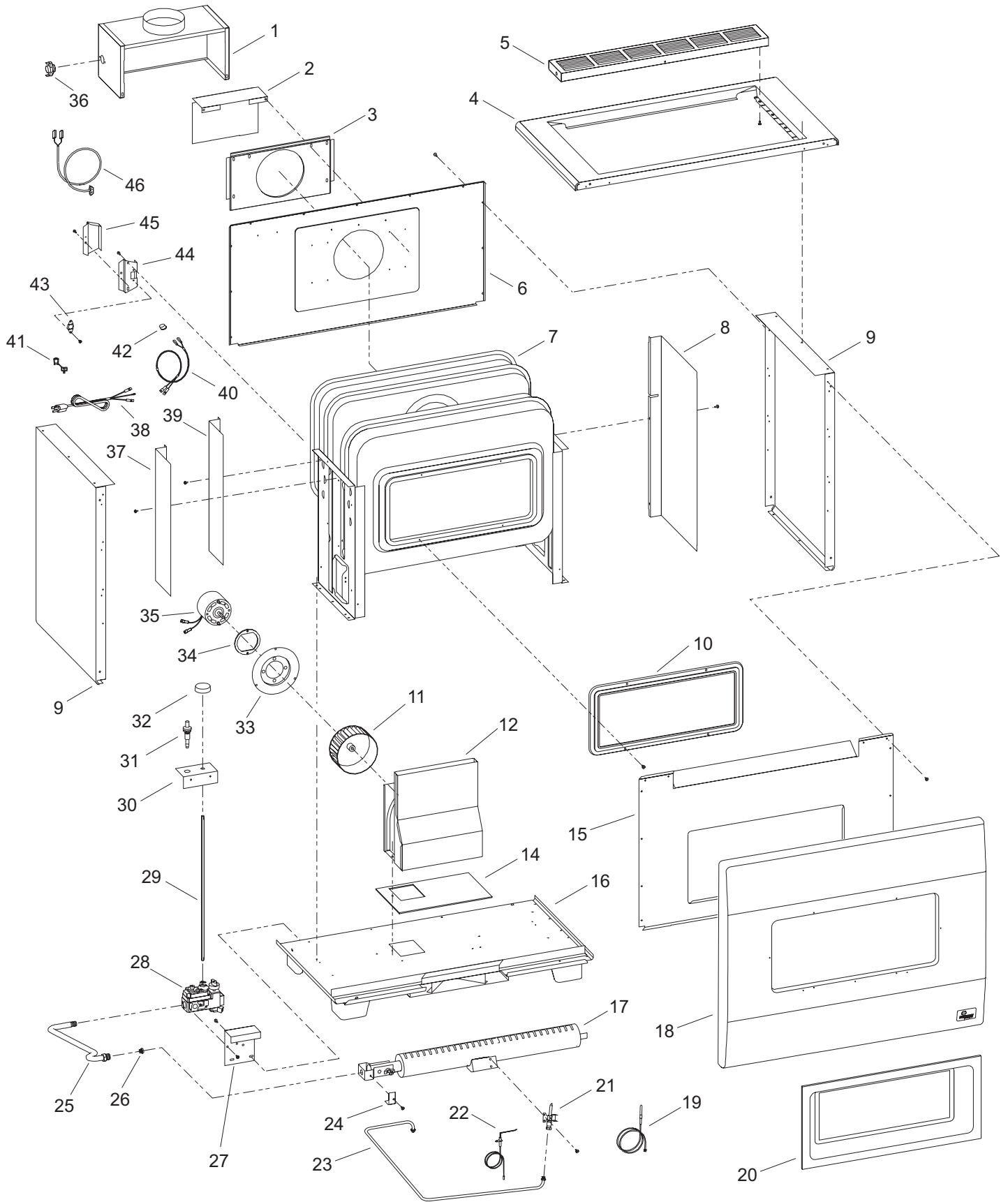
PLEASE NOTE: When ordering parts, it is very important that part number and description of part coincide.

Index No.	Part No.	Description
1	11723	Diverter Assembly
2	RH802	Down Draft Shield (RH-50-7 Natural & Propane-RH-65-7 Natural)
2	RH851	Down Draft Shield (RH-65-7 Propane)
3	11724	Draft Diverter Plate
4	11719	Casing Top (RH-50-7)
4	11720	Casing Top (RH-65-7)
5	11707	Louver (RH-50-7, 3 required) (RH-65-7, 4 required)
6	11745	Casing Back
7	RH652	Combustion Chamber Assembly (RH-50-7)
7	RH626	Combustion Chamber Assembly (RH-65-7)
8	RH654	Chamber Shield - Right (RH-50-7)
8	RH655	Chamber Shield - Right (RH-65-7)
9	11721	Casing Side (RH-50-7)
9	11722	Casing Side (RH-65-7)
10	RH527	Glass Frame Assembly
11	R369	Blower Wheel
12	11727	Blower Housing and Chute Assembly
14	RH138	Blower Cushion
15	RH618	Inner Front
16	11725	Casing Bottom Assembly (RH-50-7)
16	11726	Casing Bottom Assembly (RH-65-7)
17	RH853	Burner
18	32289	Casing Front Assembly
19	R776	Thermocouple
20	RH620	Pouch
21	R775L	Pilot Burner with Orifice (Propane)
21	R775N	Pilot Burner with Orifice (Natural)
22	RH662	Electrode and Wire Assembly
23	39255	Pilot Tubing W/Ferrules (RH-50-7)
23	39256	Pilot Tubing W/Ferrules (RH-65-7)
24	RH457	Air Shutter Bracket
25	P206	Manifold Assembly (RH-50-7)
25	P207	Manifold Assembly (RH-65-7)

Index No.	Part No.	Description
26	P86370	Main Burner Orifice (RH-65-7 Natural)
26	P8631	Main Burner Orifice (RH-50-7 Natural)
26	P86230	Main Burner Orifice (RH-65-7 Propane)
26	P8647	Main Burner Orifice (RH-50-7 Propane)
27	RH856	Valve Bracket
28	R2702	Gas Valve (Natural)
28	R2703	Gas Valve (Propane)
29	31880	Control Rod
30	RH832	Control Rod Bracket
31	R2708	Piezo Ignitor
32	R367	Knob
33	11728	Motor Mounting Plate
34	R587	Motor Cushion
35	R2605	Motor
36	R2706	Eco Switch
37	RH653	Chamber Shield - Left
38	R2099	Cord Set
39	RH656	Chamber Shield - Rear
40	R2091	Wire Assembly
41	R1468	Strain Relief Bushing
42	R896	Bushing
43	R1156	Fan Control Switch
44	RH863	Switch Box Assembly
45	DV807	Switch Box Cover
46	R8195	ECO Wire Assembly
Not Shown	R777N	Pilot Orifice .011 (Natural)
Not Shown	R777L	Pilot Orifice .008 (Propane)
Not Shown	R1630	ECO Adapter
Not Shown	UH441	Vent Safety Switch/ECO Hole Cover Plate

USE ONLY MANUFACTURER'S REPLACEMENT PARTS. USE OF ANY OTHER PARTS COULD CAUSE INJURY OR DEATH.

PARTS VIEW RH-50 & RH-65



PARTS LIST RH-50C & RH-65C

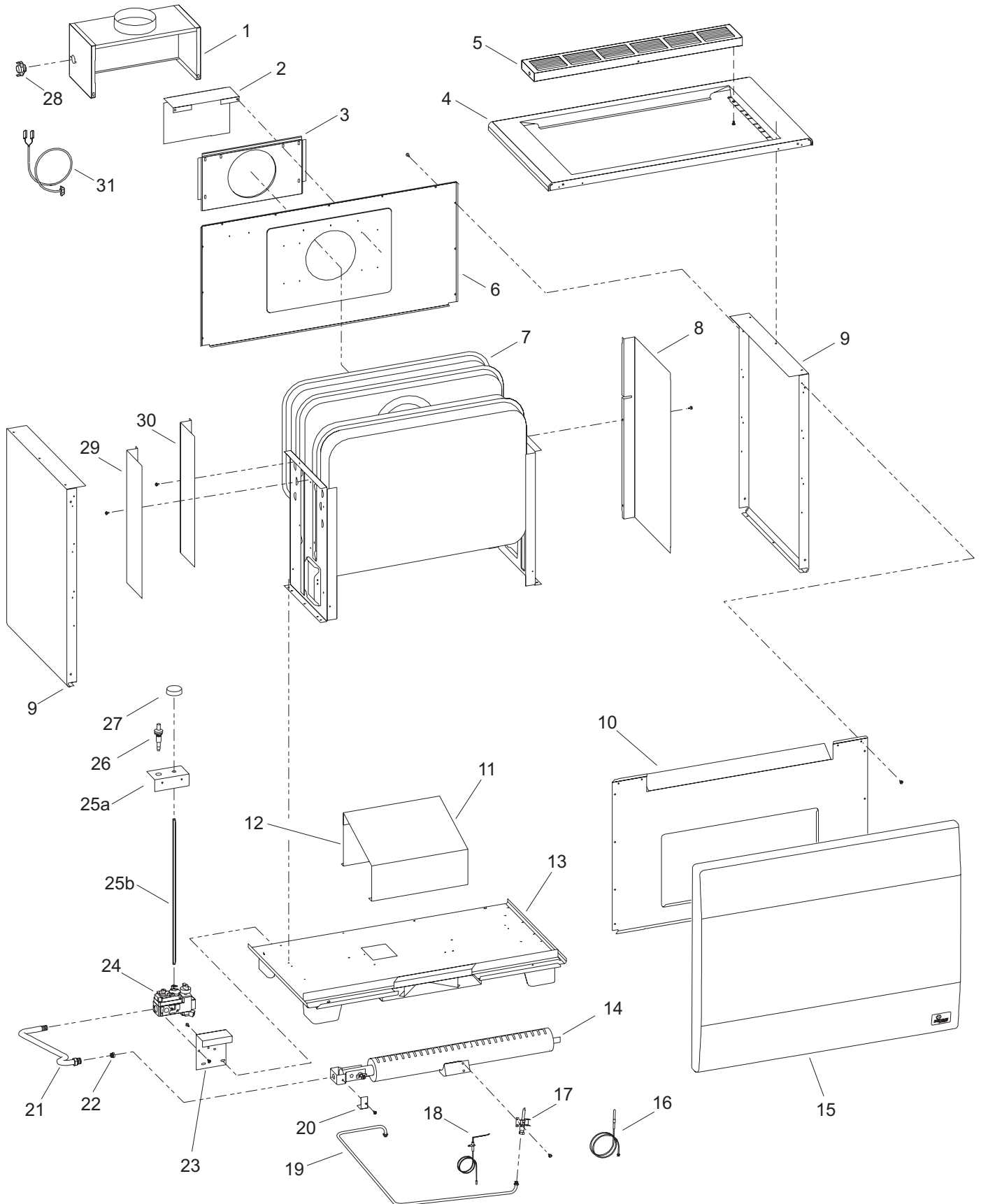
PLEASE NOTE: When ordering parts, it is very important that part number and description of part coincide.

Index No.	Part No.	Description
1	11723	Diverter Assembly
2	RH802	Down Draft Shield (RH-50C-2)
2	RH851	Down Draft Shield (RH-65C-2)
3	11724	Draft Diverter Plate
4	11719	Casing Top (RH-50C-2)
4	11720	Casing Top RH-65C-2)
5	11707	Louver (RH-50C-2, 3 Required) (RH-65C-2, 4 Required)
6	11745	Casing Back
7	11741	Combustion Chamber Assembly (RH-50C-2)
7	11742	Combustion Chamber Assembly (RH-65C-2)
8	RH654	Chamber Shield - Right (RH-50C-2)
8	RH655	Chamber Shield - Right (RH-65C-2)
9	11721	Casing Side (RH-50C-2)
9	11722	Casing Side (RH-65C-2)
10	RH618	Inner Front
11	RH625	Bottom Reflector (RH-50C-2)
11	RH660	Bottom Reflector (RH-65C-2)
12	RH624	Rear Shield
13	11725	Casing Bottom Assembly (RH-50C-2)
13	11726	Casing Bottom Assembly (RH-65C-2)
14	RH853	Burner
15	32779	Casing Front Assembly
16	R776	Thermocouple
17	R775L	Pilot Burner with Orifice (Propane)
17	R775N	Pilot Burner with Orifice (Natural)
18	RH662	Electrode and Wire Assembly
19	39255	Pilot Tubing W/Ferrules (RH-50C-2)
19	39256	Pilot Tubing W/Ferrules (RH-65C-2)
20	RH457	Air Shutter Bracket

Index No.	Part No.	Description
21	P206	Manifold Assembly (RH-50C)
21	P207	Manifold Assembly (RH-65C-2)
22	P86370	Main Burner Orifice (RH-65C-2 Natural)
22	P8631	Main Burner Orifice (RH-50C-2 Natural)
22	P86230	Main Burner Orifice (RH-65C-2 Propane)
22	P8647	Main Burner Orifice (RH-50C-2 Propane)
23	RH856	Valve Bracket
24	R2702	Gas Valve (Natural)
24	R2703	Gas Valve (Propane)
25a	RH832	Control Rod Bracket
25b	31880	Control Rod
26	R2708	Piezo Ignitor
27	R367	Knob
28	R2706	ECO Switch
29	RH653	Chamber Shield - Left
30	RH656	Chamber Shield - Rear
31	R8195	ECO Wire Assembly
Not Shown	R777N	Pilot Orifice .011 (Natural)
Not Shown	R777L	Pilot Orifice 0.008 (Propane)
Not Shown	R1630	ECO Adaptor
Not Shown	UH441	Vent Safety Switch/ECO Hole Cover Plate

USE ONLY MANUFACTURER'S REPLACEMENT PARTS. USE OF ANY OTHER PARTS COULD CAUSE INJURY OR DEATH.

PARTS VIEW RH-50C & RH-65C



OPTIONAL BLOWER INSTALLATION INSTRUCTIONS

FRB-3 FOR VENTED ROOM HEATERS

MODELS

RH-50-(1, 2, 3, 4, 5, 6, 7) RH-50C-(1, 2)

RH-65-(1, 2, 3, 4, 5, 6, 7) RH-65C-(1, 2)

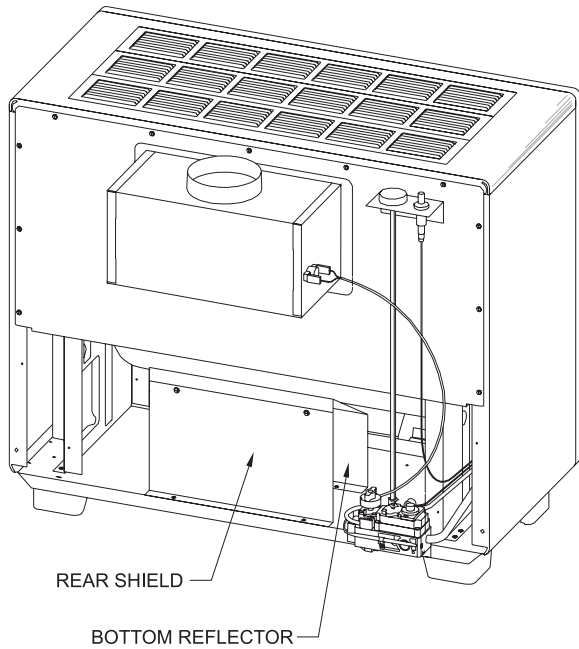


Figure 7

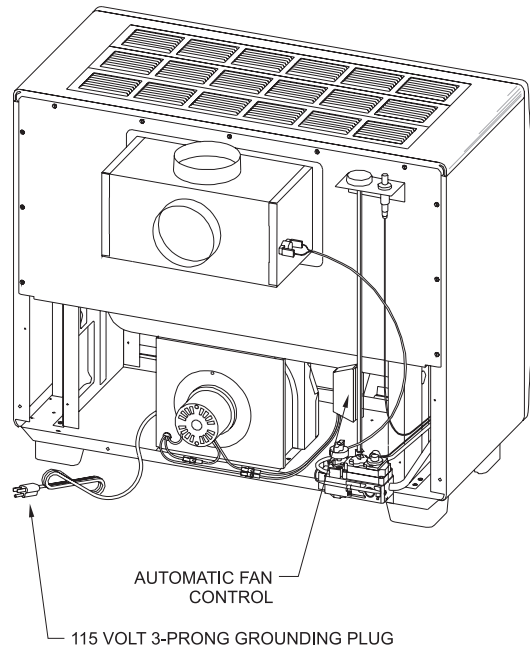


Figure 8

Installing Optional Blower

1. Remove rear shield (2 screws) and bottom reflector (4 screws). **See Figure 7.**
2. Align blower cushion with bottom assembly air discharge opening. Foil face side of blower cushion should be placed upward.
3. Align blower housing with blower cushion and use two #10 x 1/2" (13mm) hex-head screws to attach blower housing to bottom assembly. **See Figure 8.**
4. Save bottom reflector and rear shield (removed in Step 1) in the even the blower housing is removed from room heater. **Attention! Bottom reflector and rear shield must be attached to bottom assembly whenever the blower housing is removed from the room heater and the room heater is in operation.**
5. Remove switch box cover from the switch box by removing the #8 x 1/4" (6mm) hex-head screw.
6. There are two screw holes on the lower back of the combustion chamber. Use only the left screw hole for mounting.
7. With the switch box perpendicular to the combustion chamber, align the round clearance hole on the switch box with the left screw hole on the combustion chamber. **See Figure 9.**
8. Attach switch box to the combustion chamber using the #10 x 1/2" (13mm) hex-head screw provided.
9. Attach switch box cover to the switch box by using the #8 x 1/4" (6mm) hex-head screw. **See Figure 10.**

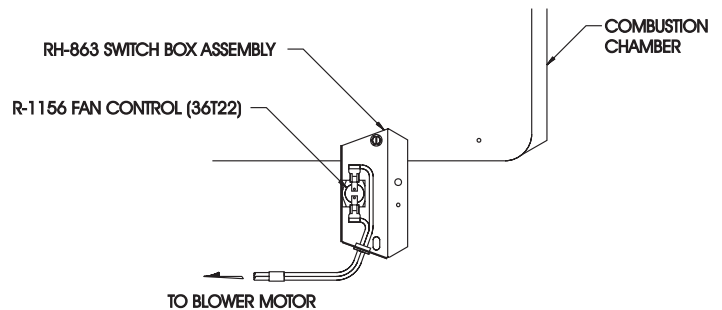


Figure 9

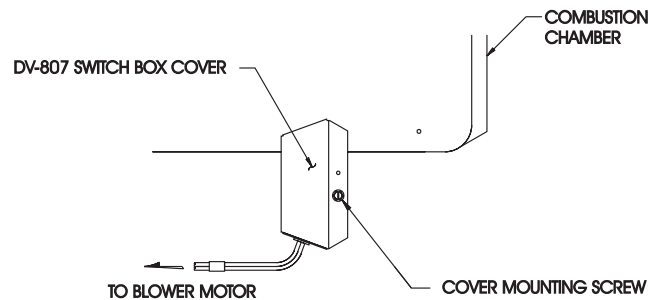


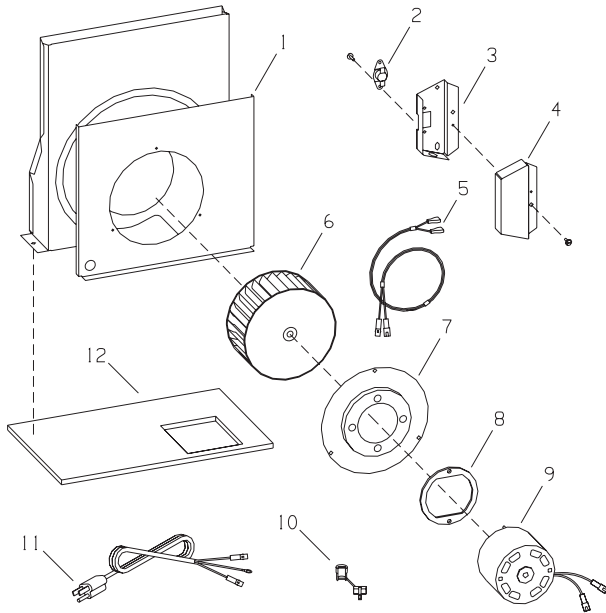
Figure 10

Attention: Wiring harness on blower is factory assembled and installed. If wiring harness becomes disassembled, use the following steps to reassemble the wiring harness.

1. Attach (1) pin terminal from black (hot) wire, smooth insulation on cord set to (1) socket terminal on fan control assembly.
2. Attach (1) pin terminal from black (neutral) wire, ribbed insulation on cord set to (1) socket terminal from white (neutral) wire on motor.
3. Attach (1) pin terminal on fan control assembly to (1) socket terminal from black (hot) wire on motor.
4. Attach green ground wire beneath one of the #10 x 1/2" (13mm) screws on the blower housing.

Fan Control

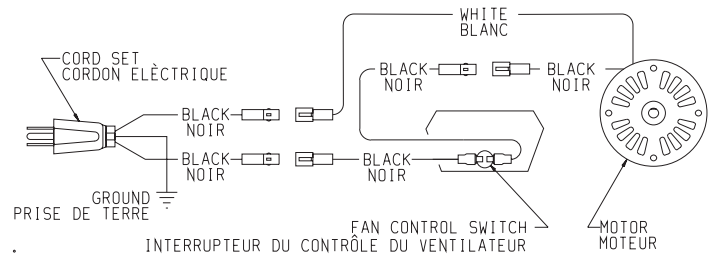
The automatic fan control is located in the switch box. The switch box is attached to the front of the blower assembly. The switch box is adjacent to the combustion chamber. The fan control is a non-adjustable automatic type. The fan control will require between 5 and 10 minutes of main burner operation before the fan control "closes" and activates the blower. The blower will continue to run between 5 and 10 minutes after the main burner shuts off, before the fan control "opens" and deactivates the blower.



Index No.	Part No.	Description
1	11727	Blower Housing and Chute Assembly
2	R1156	Fan Control Switch
3	RH-863	Switch Box
4	DV-807	Switch Box Cover
5	R-2091	Wire Assembly
6	R369	Blower Wheel
7	11728	Motor Mounting Plate
8	R587	Motor Cushion
9	R-2605	Motor
10	R1468	Strain Relief Bushing
11	R-2099	Cord Set
12	RH-138	Blower Cushion

Wiring

The appliance, when installed, must be electrically grounded in accordance with local codes or, in the absence of local codes, with the *National Electrical Code, ANSI/NFPA 70* or *Canadian Electrical Code, CSA C22.1*, if an external electrical source is utilized. **This appliance is equipped with a three-prong [grounding] plug for your protection against shock hazard and should be plugged directly into a properly grounded three-prong receptacle. Do not cut or remove the grounding prong from this plug.** For an ungrounded receptacle, an adapter, which has two prongs and a wire for grounding, can be purchased, plugged into the ungrounded receptacle and its wire connected to the receptacle mounting screws. With this wire completing the ground, the appliance cord plug can be plugged into the adapter and be electrically grounded. A 7/8" (22mm) hole is provided in the junction box for use with a conduit connector if local codes require this type of protection.



Wiring Diagram

If any of the original wire as supplied with the appliance must be replaced, it must be replaced with type 125°C wire or its equivalent.

CAUTION

Label all wires prior to disconnection when servicing controls. Wiring errors can cause improper and dangerous operation. Verify proper operation after servicing.

WARNING

Unplugging of blower accessory will not stop the heater from cycling. To shut heater off:

1. Turn temperature dial or thermostat to lowest setting.
2. Turn knob n gas control to "OFF," depressing slightly. Do not force.

Cleaning

The blower wheel will collect lint and could require cleaning once a year. If the air output decreases or the noise level increases, it indicates a dirty wheel. Complete removal of the wheel and scrubbing it with a brush under flowing water is recommended.

Oiling

The blower motor has an oil hole located on each end of the motor. Use #20 motor oil only. It is best to oil the motor several times during the heating season using 2 or 3 drops each time. If the motor fails to start and hums, it could be a tight bearing due to lack of oil. This may be corrected by pouring kerosene in the oil holes, allowing to stand for a few hours and then oiling properly.

MASTER PARTS DISTRIBUTOR LIST

To Order Parts Under Warranty, please contact your local Empire dealer. See the dealer locator at www.empirecomfort.com. To provide warranty service, your dealer will need your name and address, purchase date and serial number, and the nature of the problem with the unit.

To Order Parts After the Warranty Period, please contact your dealer or one of the Master Parts Distributors listed below. This list changes from time to time. For the current list, please click on the Master Parts button at www.empirecomfort.com. Please note: Master Parts Distributors are independent businesses that stock the most commonly ordered Original Equipment repair parts for Heaters, Grills, and Fireplaces manufactured by Empire Comfort Systems Inc.

Dey Distributing

1401 Willow Lake Boulevard
Vadnais Heights, MN 55101

Phone: 651-490-9191

Toll Free: 800-397-1339

Website: www.deydistributing.com

Parts: Heater, Hearth and Grills

F. W. Webb Company

200 Locust Street
Hartford, CT 06114

Phone: 860-722-2433

Toll Free: 800-243-9360

Fax: 860-293-0479

Toll Free Fax: 800-274-2004

Websites: www.fwwebb.com & www.victormfg.com

Parts: Heater, Hearth and Grills

East Coast Energy Products

10 East Route 36
West Long Branch, NJ 07764

Phone: 732-870-8809

Toll Free: 800-755-8809

Fax: 732-870-8811

Website: www.eastcoastenergy.com

Parts: Heater, Hearth and Grills

HOW TO ORDER REPAIR PARTS

Parts Not Under Warranty

Parts can be ordered through your Service Person, Dealer, or a Master Parts Distributor. See this page for the Master Parts Distributors list. For best results, the **service person or dealer** should order parts through the distributor. Parts can be shipped directly to the **service person/dealer**.

Warranty Parts

Warranty parts will need a proof of purchase and can be ordered by your Service Person or Dealer. Proof of purchase is **required** for warranty parts.

All parts listed in the Parts List have a Part Number. When ordering parts, first obtain the Model Number and Serial Number from the name plate on your equipment. Then determine the Part Number (**not** the Index Number) and the Description of each part from the following illustration and part list. Be sure to give all this information . . .

Appliance Model Number _____ Part Description _____

Appliance Serial Number _____ Part Number _____

Type of Gas (Propane or Natural) _____

Do not order bolts, screws, washers or nuts. They are standard hardware items and can be purchased at any local hardware store.

Shipments contingent upon strikes, fires and all causes beyond our control.

WARRANTY

Empire Comfort Systems Inc. warrants this space heating product to be free from defects at the time of purchase and for the periods specified below. Space heating products must be installed by a qualified technician and must be maintained and operated safely, in accordance with the instructions in the owner's manual. This warranty applies to the original purchaser only and is not transferable. All warranty repairs must be accomplished by a qualified gas appliance technician.

Limited Ten-Year Parts Warranty – Combustion Chamber

Empire promises to the owner that if the combustion chamber (see parts list) fails because of defective workmanship or material with ten years from the date of purchase, Empire will repair or replace at Empire's option.

Limited One-Year Parts Warranty – Remote Controls, Thermostats, Accessories, and Parts

Should any remote control, thermostat, accessory, or other part fail because of defective workmanship within one year from the date of purchase, Empire will repair or replace at Empire's option.

Duties Of The Owner

The appliance must be installed by a qualified installer and operated in accordance with the instructions furnished with the appliance. A bill of sale, cancelled check, or payment record should be kept to verify purchase date and establish warranty period. Ready access to the appliance for service.

What Is Not Covered

Damages that might result from the use, misuse, or improper installation of this appliance.
Travel, diagnostic costs and freight charges on warranted parts to and from the factory.
Claims that do not involve defective workmanship or materials.
Unauthorized service or parts replacements.
Removal and reinstallation cost.
Inoperable due to improper or lack of maintenance.

How To Get Service

To make a claim under this warranty, please have your receipt available and contact your installing dealer. Provide the dealer with the model number, serial number, type of gas, and purchase verification. The installing dealer is responsible for providing service and will contact the factory to initiate any warranted parts replacements. Empire will make replacement parts available at the factory. Shipping expenses are not covered.

If, after contacting your Empire dealer, service received has not been satisfactory, contact: Consumer Relations Department, Empire Comfort Systems Inc., PO Box 529, Belleville, Illinois 62222, or send an e-mail to info@empirecomfort.com with "Consumer Relations" in the subject line.

Your Rights Under State Law

This warranty gives your specific legal rights, and you may also have other rights, which vary from state to state.



**Empire Comfort Systems Inc.
Belleville, IL**

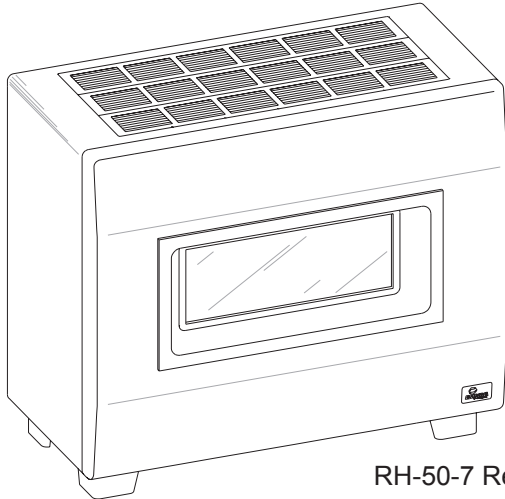
If you have a general question
about our products, please e-mail
us at info@empirecomfort.com.

If you have a service or repair
question, please contact your dealer.

SINCE 1932

www.empirecomfort.com

INSTRUCTIONS POUR L'INSTALLATION ET MANUEL DU PROPRIÉTAIRE



RH-50-7 Représenté

RADIATEUR INDIVIDUEL

MODÈLES

RH-50-7
RH-50C-2

RH-65-7
RH-65C-2



⚠ AVERTISSEMENT

RISQUE D'INCENDIE OU D'EXPLOSION
Si les informations contenues dans ces instructions ne sont pas suivies à la lettre, un incendie ou une explosion pourrait en résulter, causant des dommages matériels, des blessures corporelles ou la mort.

- Ne pas entreposer ni utiliser d'essence ou autres vapeurs et liquides inflammables au voisinage de cet appareil ou d'autres.
- **QUE FAIRE EN CAS D'ODEUR DE GAZ**
 - Ne pas tenter d'allumer un appareil, quel qu'il soit.
 - Ne toucher aucun interrupteur électrique; ne pas utiliser de téléphone dans le bâtiment.
 - Quitter le bâtiment immédiatement.
 - Téléphoner immédiatement au fournisseur de gaz depuis une maison voisine. Suivre les instructions du fournisseur de gaz.
 - S'il est impossible de joindre le fournisseur de gaz, appeler le service d'incendie.
- L'installation et l'entretien doivent être exécutés par un installateur qualifié, une agence de service ou par le fournisseur de gaz.

INSTALLATEUR :

Laisser ce guide avec l'appareil.

CONSOMMATEUR :

Garder ce guide pour référence ultérieure.

⚠ AVERTISSEMENT

Si l'installation, l'usage et l'entretien de ce produit ne sont pas faits selon les instructions du fabricant, ce produit peut vous exposer à des matières contenues dans le carburant ou provenant de la combustion du carburant lesquelles peuvent causer la mort ou de sérieuses maladies.

TABLE DES MATIÈRES

SECTION	PAGE
INFORMATION IMPORTANTE DE SÉCURITÉ.....	3
INFORMATION DE SÉCURITÉ POUR LES UTILISATEURS DE PROPANE	4
INTRODUCTION.....	5 - 6
SPECIFICATIONS.....	6
ALIMENTATION EN GAZ.....	7
ESPACES LIBRES.....	8
ÉVACUATION	8
LE SYSTÈME DE FERMETURE DE SÛRETE DE L'ÉVENT	9
COUPE-TIRAGE RÉVERSIBLE SOIT VERTICAL OU HORIZONTAL	9
FONCTIONNEMENT DU THERMOSTAT	9
INSTRUCTIONS D'ALLUMAGE	10
ASPECT CONVENABLE DE LA FLAMME DE LA VEILLEUSE	11
ASPECT CONVENABLE DE LA FLAMME DU BRÛLEUR PRINCIPAL	11
MAINTENANCE	12
DÉTECTION DES DÉFECTUOSITÉS	12
LISTE DES PIÈCES RH-50 & RH-65	14
VUE DES PIÈCES RH-50 & RH-65	15
COMMENT COMMANDER DES PIÈCES DE RECHANGE.....	15
LISTE DES PIÈCES RH-50C & RH-65C	16
VUE DES PIÈCES RH-50C & RH-65C.....	17
INSTRUCTIONS POUR L'INSTALLATION DE LA SOUFFLERIE FACULTATIVE	18 - 19
MAINTENANCE HISTORIQUE DE L'APPAREIL.....	20 - 22
GARANTIE.....	23

INFORMATION IMPORTANTE DE SÉCURITÉ

CECI EST UN APPAREIL DE CHAUFFAGE

NE PAS FAIRE FONCTIONNER CET APPAREIL SANS QUE LA PAROI EXTÉRIEURE SOIT INSTALLÉE.

- A cause des hautes températures, cet appareil doit être situé dans un endroit non achalandé et loin des meubles et des rideaux.
- Les enfants et les adultes doivent être avisés des dangers des parois très chaudes et doivent rester loin pour éviter les brûlures ou l'allumage des vêtements.
- Les petits enfants doivent être surveillés étroitement lorsqu'ils sont dans le même appartement que l'appareil.
- Les vêtements ou d'autres matériaux inflammables ne doivent pas être placés sur ou près de l'appareil.
- A cause des températures élevées des parois, garder les enfants, les vêtements et les meubles loin de cet appareil.
- Garder propre le brûleur et le compartiment de contrôle.
- L'installation et la réparation doivent être faites par une PERSONNE QUALIFIÉE. L'appareil doit être inspecté avant l'usage et au moins une fois par année, par une personne qualifiée. S'il y a un excès de poussière venant du tapis, de la literie, etc..., de fréquents nettoyages seront requis. Il est impératif que les compartiments de commandes, les brûleurs et les passages de circulation d'air de l'appareil soient gardés propres.
- NE rien mettre autour du radiateur qui pourrait obstruer le débit de combustion et la ventilation d'air. Voir les espaces libres.
- Les matériaux combustibles, la gasoline ou les vapeurs et liquides inflammables ne doivent jamais être dans le même endroit que le radiateur.
- EXAMINER périodiquement le système d'échappement. Nettoyer et remplacer les pièces défectueuses. L'examen doit se faire au début de la saison de chauffage et aussi à la mi-saison de chauffage lors d'avaries.
- Faire périodiquement une inspection des brûleurs. Nettoyer et remplacer les pièces défectueuses.
- NE pas utiliser ce radiateur s'il y a une pièce qui a été en contact avec l'eau. Appeler immédiatement un technicien qualifié pour inspecter le radiateur et remplacer toute pièce du système de commande et les commandes de gaz qui ont été en contact avec l'eau.
- Avertissement: Tout changement fait à ce radiateur ou à ces commandes peut être dangereux. Si un panneau, un écran de sécurité ou un dispositif protecteur quelconque est enlevé pour l'entretien ou pour une réparation, soyez certain de le replacer avant de faire fonctionner l'appareil.

INFORMATION DE SÉCURITÉ POUR LES UTILISATEURS DE PROPANE

Le propane est un gaz inflammable qui peut causer des feux et des explosions. Dans son état naturel, le propane est inodore et sans couleur. Peut-être que vous ne connaissez pas toutes les précautions décrites ci-dessous? Elles peuvent vous protéger ainsi que votre famille contre un accident. Lisez-les attentivement dès maintenant, puis réexaminez les, point par point avec

les membres de votre famille. Un jour, lorsqu'il n'y aura pas une minute à perdre, la sécurité de chacun dépendra de votre savoir-faire. Si après avoir lu les informations suivantes, vous pensez avoir besoin de plus amples informations, s'il vous plaît contactez votre fournisseur de gaz.

AVERTISSEMENT À PROPOS DE L'ODEUR DU PROPANE

Si une fuite de gaz survient, vous devriez sentir le gaz parce qu'il y a une odeur incorporée au propane.

C'est le signal que vous devez agir immédiatement.

- N'utiliser pas les interrupteurs électriques, n'allumer pas des allumettes ou n'utiliser pas le téléphone. Ne rien faire qui pourrait enflammer le gaz.
- Évacuer tout le monde du bâtiment, des véhicules et des lieux. Faire ceci IMMÉDIATEMENT.
- Fermer toutes les soupapes d'approvisionnement des réservoirs et des bouteilles de gaz.
- Le propane est plus pesant que l'air et peut s'accumuler dans des endroits bas comme les soubassements. Lorsque vous avez des raisons de suspecter une fuite de gaz, n'allez pas dans les soubassements ou les endroits bas. Attendez que les pompiers vous assurent de la sûreté de ces endroits avant

d'y aller.

- Utiliser le téléphone de votre voisin et appeler les pompiers et une personne entraînée avec le propane.
- Ne pas ouvrir les soupapes d'approvisionnement de gaz même si vous ne le sentez plus. Ne retourner pas dans le bâtiment, les véhicules ou sur les lieux.
- Finalement, laisser la personne qualifiée et les pompiers vérifier les fuites de gaz. Laisser les aérer les lieux avant d'y retourner. Les personnes entraînées avec le propane devront réparer la fuite, vérifier et réallumer l'appareil au gaz, pour vous.

AUCUNE ODEUR DÉCELÉE - FAIBLE ODEUR

Il y a des personnes qui ne peuvent pas sentir très bien. Il y a des personnes qui ne peuvent pas sentir l'odeur chimique mis dans le gaz. Vous devez vérifier si vous pouvez sentir cette odeur. Fumer peut décroître votre capacité de sentir. Sentir une odeur pour un certain temps, peut affecter votre sensibilité ou votre capacité de déceler cette odeur. Quelquefois d'autres odeurs, dans le même endroit, peuvent masquer l'odeur du gaz. Il y a des personnes qui ne peuvent pas sentir l'odeur du gaz ou que leur attention est sur quelque chose d'autre. Penser à sentir l'odeur du gaz peut faciliter la capacité de sentir.

L'odeur dans le propane est sans couleur et peut s'affaiblir selon certaines circonstances. Par exemple, s'il y a une fuite souterraine, le mouvement du gaz à travers le sol peut filtrer l'odeur. Aussi, l'odeur

dans le propane peut être exposée à l'oxydation. Cet affaiblissement peut survenir s'il y a de la rouille à l'intérieur des réservoirs ou dans les tuyaux de fer pour le gaz.

L'odeur de la fuite de gaz peut être adsorbée ou absorbée sur ou dans les murs, maçonnerie et d'autres matériaux et tissus dans une chambre. Ceci enlèvera une quantité de l'odeur du gaz, affaiblissant l'intensité de la senteur.

Le propane peut stratifier dans un endroit fermé et l'intensité de l'odeur peut varier à différents niveaux. Puisque le propane est plus pesant que l'air, l'odeur peut être plus prononcée à un bas niveau. Toujours être sensible à la moindre odeur de gaz. Si vous décelez une odeur, réagissez comme si vous aviez une sérieuse fuite. Passez à l'action immédiatement en suivant les informations précédentes.

QUELQUES POINTS À RETENIR

- Apprendre à reconnaître l'odeur du propane. Votre distributeur de propane peut vous donner un échantillon que vous grattez et sentez. Utilisez-le pour savoir reconnaître l'odeur du propane. Si vous pensez que votre gaz propane a une faible ou anormale odeur, appelez votre distributeur.
- Si vous n'êtes pas qualifié, n'allumer pas la veilleuse, n'effectuer pas l'entretien ou n'ajuster pas les appareils fonctionnant au propane. Si vous êtes qualifié, soyez conscient de l'odeur du propane avant et pendant que vous allumez la veilleuse, effectuez l'entretien ou faites les ajustements.
- Quelquefois un soubassement ou une maison fermée a une senteur de moisi qui peut dissimuler l'odeur de propane. N'essayez pas d'allumer des veilleuses, d'effectuer l'entretien ou de faire des ajustements dans des endroits où les conditions sont de telle sorte que vous ne pouvez pas déceler l'odeur du propane en cas de fuite.
- L'affaiblissement d'odeur, attribuable à l'oxydation par la rouille ou l'adsorption sur les parois des nouveaux réservoirs et bouteilles, est possible. Par conséquent, les personnes doivent être particulièrement prudentes lorsque de nouveaux réservoirs ou bouteilles sont mis en service. L'affaiblissement d'odeur peut se produire dans les nouveaux réservoirs ou dans les vieux réservoirs qui sont réinstallés, s'ils sont remplis et inutilisés pour une longue période de temps. La formation de

rouille à l'intérieur des bouteilles et des réservoirs qui ne sont pas utilisés pour une longue période de temps, peut provoquer un affaiblissement de l'odeur. Si vous pensez que de telles conditions existent, un test de senteur de gaz est recommandé périodiquement. Si vous avez des questions à propos de l'odeur du gaz, appelez votre distributeur de propane. En toute circonstance, un test de senteur périodique du gaz propane est une mesure de prudence.

- Si en aucun temps vous ne sentez pas l'odeur du propane et que vous devriez, assumez que vous avez une fuite. Agissez immédiatement selon les recommandations ci-dessus, décrivant les actions à suivre en cas de déclenchement de gaz propane.
- Si vous découvrez que le réservoir est complètement vide de gaz (le réservoir n'a aucune pression de vapeur), fermez la soupape du réservoir immédiatement. Si la soupape du réservoir reste ouverte, le réservoir peut aspirer de l'air par les ouvertures, par exemple les orifices de la veilleuse. Si ceci survient, l'intérieur peut subir une additionnelle formation de rouille. Si la soupape est restée ouverte, considérez le contenant comme étant un nouveau réservoir. Soyez toujours certain que le réservoir est sous pression de vapeur; fermez la soupape du réservoir avant qu'il ne soit complètement vide et faites le remplir.

INTRODUCTION

Toujours consulter le département de construction de votre région en ce qui regarde les règlements, les codes ou les ordonnances qui s'appliquent à l'installation d'un radiateur individuel.

Instructions Pour l'Installateur

1. Après l'installation, l'installateur doit laisser le manuel d'instructions au propriétaire.
2. L'installateur doit demander au propriétaire de compléter et poster la carte de garantie de l'unité de chauffage.
3. L'installateur doit expliquer au propriétaire la mise en marche et le fonctionnement du radiateur et du thermostat.

Information Générale

Ce radiateur est un modèle conformément certifié avec l'American National Standard/CSA Standard Z21.86 et CSA 2.32 Canadian Standards Association comme étant un radiateur individuel à air pulsé, devant être installé conformément avec ces instructions.

Tout changement du modèle d'origine, installé autrement que décrit dans ces instructions ou fonctionnant avec un genre de gaz qui n'est pas indiqué sur la plaque d'identification, est la responsabilité de la personne et de la compagnie faisant ce changement.

Important

Toute la correspondance doit mentionner le numéro complet du modèle et de la série et le genre de gaz.

Avis: Pendant le premier allumage de cette unité, la peinture cuira et de la fumée se produira. Pour prévenir les détecteurs de fumée de se déclencher, bien ventiler l'appartement dans lequel l'unité est installée.

Installation sur un Tapis ou Tuile

Si cet appareil est installé directement sur un tapis, tuiles ou tout genre de matériel combustible autre qu'un plancher de bois, cet appareil doit être installé sur un panneau de métal ou de bois, celui-ci ayant la largeur et la profondeur de l'appareil.

La base que nous décrivons ci-dessus ne signifie pas le genre de base contre le feu comme il est utilisé pour les poêles à bois. La protection est pour les tapis extrêmement épais et les tuiles de couleur qui pourraient se décolorer.

Une plateforme pour radiateur est disponible chez Empire Comfort Systems, Inc., Pièce numéro RH-425.

Agence D'installation Qualifiée

L'installation et le remplacement des tuyaux à gaz, des équipements ou accessoires, la réparation et l'entretien de l'équipement doivent être faits seulement par une agence qualifiée. Le terme "agence qualifiée" signifie tout individu, firme, corporation ou compagnie qui est, en personne ou par un représentant, engagé et responsable de: (a) l'installation ou le remplacement des tuyaux à gaz, ou (b) la connexion, l'installation, la réparation ou l'entretien de l'équipement, qui possède l'expérience nécessaire en ce genre de travail, est familier avec les précautions requises et s'est conformé à toutes les exigences de l'autorité ayant juridiction.

L'installation doit être conforme aux codes locaux. Dans l'absence de codes locaux, l'installation doit se conformer avec National Fuel Gas Code, ANSI Z223.1*/Canadian Installation Code, CAN/CGA 1-B149.

* Disponible chez American National Standards Institute, Inc., 11 West 42nd St., New York, NY 10036.

Hautes Altitudes

Pour des altitudes/élevations au dessus de 2,000' (610m), les puissances d'entrée devront être réduites de 4% pour chaque 1,000' (305m) au dessus du niveau de la mer. Hautes Altitudes Au Canada pour les endroits ayant une élévation au dessus du niveau de la mer entre 2,000' (610m) et 4,500' (1370m), la pression de gaz doit être diminuée de 4.0" w.c. (.996kPa) et 3.2" w.c. (.797kPa) pour le Gaz Naturel et de 10.0" w.c. (2.49kPa) à 8.0" w.c. (1.99kPa) pour le Gaz Propane.

INTRODUCTION (suite)

Lorsqu'un radiateur de catégorie 1 existant est retiré ou remplacé, le système de ventilation d'origine peut ne plus être dimensionné pour ventiler correctement les appareils raccordés. Les instructions doivent

également indiquer les effets d'un système de ventilation de taille inadéquate (formation de condensat, fuite, déversement, etc.) et doivent spécifier la procédure d'essai suivante:

AVERTISSEMENT

DANGER D'EMPOISONNEMENT AU MONOXYDE DE CARBONE

Le fait de ne pas suivre les étapes décrites ci-dessous pour chaque appareil raccordé au système d'évacuation mis en service pourrait entraîner un empoisonnement au monoxyde de carbone ou la mort. Les étapes suivantes doivent être suivies pour chaque appareil raccordé au système de ventilation mis en service, alors que tous les autres appareils raccordés au système de ventilation ne fonctionnent pas:

1. Sceller toutes les ouvertures inutilisées dans le système d'évacuation.
2. Inspectez le système de ventilation pour la taille et le pas horizontal appropriés, tel que requis dans le Code national du gaz combustible, ANSI Z223.1 / NFPA 54 ou le Code d'installation du Gaz Naturel et du Propane, CSA B149.1 et ces instructions. Déterminer qu'il n'y a pas de blocage ou de restriction, de fuite, de corrosion ou d'autres déficiences qui pourraient causer une condition dangereuse.
3. Dans la mesure du possible, fermez toutes les portes et fenêtres du bâtiment et toutes les portes entre l'espace dans lequel se trouvent les appareils raccordés au système de ventilation et les autres espaces du bâtiment.
4. Fermez les registres de cheminée.
5. Allumez les sèche-linge et tout appareil non raccor-

dé au système de ventilation. Allumez les ventilateurs d'extraction, tels que les hottes de cuisine et les échappements de la salle de bain, afin qu'ils fonctionnent à la vitesse maximale. Faire fonctionner un ventilateur d'extraction d'été.

6. Suivez les instructions d'éclairage. Placez l'appareil en cours d'inspection. Ajustez le thermostat pour que l'appareil fonctionne continuellement.
7. Tester le déversement des appareils équipés d'un coupe-tirage au niveau de l'ouverture de dégagement de la hotte après 5 minutes de fonctionnement du brûleur principal. Utilisez la flamme d'une allumette ou d'une bougie.
8. Si une ventilation inadéquate est observée pendant l'un des essais ci-dessus, le système d'évacuation doit être corrigé conformément au Code national du gaz combustible, ANSI Z223.1 / NFPA 54 et / ou au Code d'installation du Gaz Naturel et du Propane, CSA B149.1.
9. Après avoir déterminé que chaque appareil raccordé au système de ventilation se déclenche correctement lorsqu'il est testé comme indiqué ci-dessus, retournez les portes, les fenêtres, les ventilateurs d'évacuation, les registres de cheminée et tout autre appareil à gaz à leurs conditions d'utilisation précédentes.

SPECIFICATIONS

Modèle	RH-50B	RH-65B	RH-50C	RH-65C	RH-50CB	RH-65CB
Puissance BTU/HR (KW/H)	50,000 (14.6)	65,000 (19)	50,000 (14.6)	65,000 (19)	50,000 (14.6)	65,000 (19)
Hauteur	29 9/16" (751mm)	29 9/16" (751mm)	29 9/16" (751mm)	29 9/16" (751mm)	29 9/16" (751mm)	29 9/16" (751mm)
Largeur	34" (864mm)	34" (864mm)	34" (864mm)	34" (864mm)	34" (864mm)	34" (864mm)
Profondeur incluant coupe-tirage	23 3/16" (589mm)	27 11/16" (704mm)	23 3/16" (589mm)	27 11/16" (704mm)	23 3/16" (589mm)	27 11/16" (704mm)
Tuyau d'arrivée de gaz	1/2" (13mm)	1/2" (13mm)	1/2" (13mm)	1/2" (13mm)	1/2" (13mm)	1/2" (13mm)
Grandeur du collet de la cheminée	5 " (127mm)	5 " (127mm)	5 " (127mm)	5 " (127mm)	5 " (127mm)	5 " (127mm)
Du plancher au dessus du collet du coupe-tirage dans la position verticale	27 5/32" (690mm)	27 5/32" (690mm)	27 5/32" (690mm)	27 5/32" (690mm)	27 5/32" (690mm)	27 5/32" (690mm)
Du plancher au centre du collet du coupe-tirage dans la position horizontale	22 9/16" (573mm)	22 9/16" (573mm)	22 9/16" (573mm)	22 9/16" (573mm)	22 9/16" (573mm)	22 9/16" (573mm)

ACCESSOIRES

Assemblage de la soufflerie	Included	Included	FRB-3	FRB-3	Included	Included
Assemblage de rayonnement	RAD-8	RAD-8	N/A	N/A	N/A	N/A
Plateforme pour radiateur	RH-425	RH-425	RH-425	RH-425	RH-425	RH-425
Bûche en Céramique	RHL-2	RHL-2	N/A	N/A	N/A	N/A

KITS DE CONVERSION

Numéro d'article	La description	Utilisé sur
33726	Propane to Natural	RH50(B,C,CB)LPG
33724	Natural to Propane	RH50(B,C,CB)NAT
33727	Propane to Natural	RH65(B,C,CB)LPG
33725	Natural to Propane	RH65(B,C,CB)NAT

ALIMENTATION EN GAZ

Le Diamètre recommandé de tuyau de gaz

Longueur de tuyau	Le plan 40 tuyau diameter d'intérieur		Les tuyaux, Taper L Hor du Diamètre	
	Naturel	Propane	Naturel	Propane
0-10 feet 0-3 meters	1/2" 12.7 mm	3/8" 9.5 mm	1/2" 12.7 mm	3/8" 9.5 mm
10-40 feet 4-12 meters	1/2" 12.7 mm	1/2" 12.7 mm	5/8" 15.9 mm	1/2" 12.7 mm
40-100 feet 13-30 meters	1/2" 12.7 mm	1/2" 12.7 mm	3/4" 19 mm	1/2" 12.7 mm
100-150 feet 31-46 meters	3/4" 19 mm	1/2" 12.7 mm	7/8" 22.2 mm	3/4" 19 mm

NOTE: Ne jamais utiliser des tuyaux de plastique. Assurez-vous que les codes locaux permettent les tuyaux de cuivre ou galvanisés.

NOTE: Étant donné que certaines municipalités ont des codes locaux additionnels, il est toujours préférable de consulter votre autorité locale et le code d'installation.

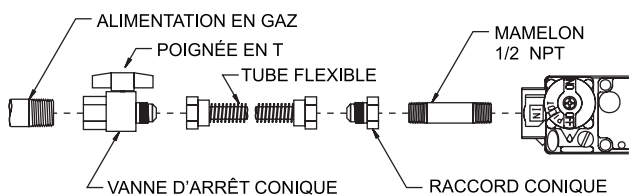
L'emploi des connexions de gaz suivantes est recommandé.

— ANS Z21.24 Connexions d'appareil de tuyaux et de raccords en métal ondulé.

— ANS Z21.45 Connexions flexibles d'appareil autre qu'en métal.

Les connexions ci-dessus peuvent être utilisées si elles sont acceptées par les autorités ayant juridiction. Le Commonwealth de Massachusetts exige qu'une connexion flexible d'un appareil n'excède pas une longueur de trois pieds

POSE DE LA CONDUITE DE GAZ FLEXIBLE



POSE DE LA CONDUITE DE GAZ RIGIDE

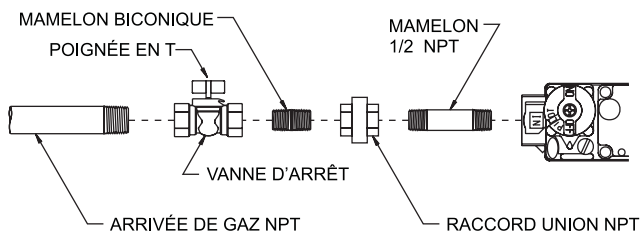


Figure 1

Installation d'un Nouveau Robinet Principal pour le Gaz

Chaque appareil doit avoir son propre robinet manuel de gaz.

Un robinet manuel principal doit être situé près de l'appareil. S'il n'y en a pas ou si la grosseur ou l'emplacement est inadéquat, contacter votre installateur autorisé pour l'installation ou pour changer l'emplacement.

Les composantes employées sur les joints filetés des tuyaux doivent être résistantes à l'action des gaz de pétrole liquéfiés. La canalisation de gaz doit être vérifiée par l'installateur pour des possibilités de fuites. Ceci doit être fait sur toutes les connexions exposées avec une solution savonneuse. Surveiller pour la formation de bulles. Si les connexions ne sont pas exposées, un test de pression doit être fait.

Ne jamais employer une flamme pour vérifier les fuites. Lors d'un test de pression, le tuyau d'arrivée de la valve de commande doit être débranché de l'appareil et bouché. Ne jamais faire un test de pression lorsque l'appareil est branché; la valve de commande peut être endommagée!

Pour aider à l'entretien, une valve à gaz et un raccord horizontal doivent être installés sur la ligne de gaz en amont du contrôle de gaz. Le National Fuel Gas Code exige qu'une ligne d'égouttage soit installée près de l'entrée de gaz. Ceci doit consister en une longueur de tuyau vertical qui sera raccordé par un T sur la ligne de gaz et terminé au bas par un bouchon. La condensation et les particules étrangères s'y amasseront.

TUYAU D'ALIMENTATION EN GAZ

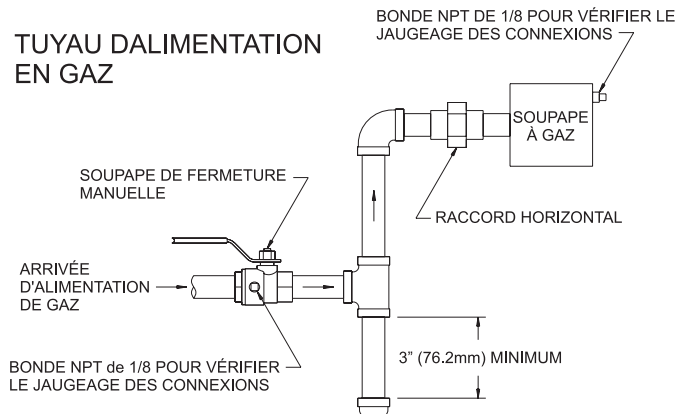


Figure 2

Méthode pour installer un collecteur de sédiment avec un adaptateur en T.

Test de Pression du Système d'Alimentation de Gaz

1. Pour vérifier la pression d'arrivée à la valve de gaz, une bonde N.P.T. de 1/8" (3.175mm), accessible pour vérifier le jaugeage des connexions, doit être située immédiatement en amont de la connexion d'alimentation de gaz de l'appareil.
2. Pendant un test de pression du système d'alimentation de gaz, l'appareil et sa valve de fermeture doivent être débranchés si une pression supérieure à 1/2 psig (3.5kPa) est employée.
3. Pendant un test de pression du système d'alimentation de gaz, si une pression égale ou inférieure à 1/2 psig (3.5kPa) est employée, l'appareil doit être isolé du système d'alimentation de gaz en fermant sa propre valve de fermeture manuelle.

Attention! Si une des procédures ci-dessus occasionne une pression supérieure à 1/2 psig (3.5kPa) sur la valve de gaz de l'appareil, une situation dangereuse s'en suivra.

Vérifier les Pressions de Gaz

Un régulateur de pression est incorporé dans la valve de Gaz Propane et celle de Gaz Naturel.

Les modèles pour le Gaz Naturel auront des pressions de gaz approximativement de 4.0" w.c. (.996kPa) à la sortie de la valve et une pression d'entrée à la valve d'un minimum de 5.0" w.c. (1.245kPa) pour permettre l'ajustement à l'entrée, allant à un maximum de 10.5" w.c. (2.614kPa). Les modèles pour le Gaz Propane auront des pressions de gaz approximativement de 10.0" w.c.(2.49kPa) à la sortie de la valve et une pression d'entrée à la valve d'un minimum de 11.0" w.c. (2.74kPa) pour permettre l'ajustement à l'entrée, allant à un maximum de 13.0 w.c. (3.24kPa). Une bonde N.P.T. de 1/8" (3.175mm), accessible pour vérifier le jaugeage des connexions, est située sur le côté de la sortie de la commande de gaz.

ESPACES LIBRES

Espaces libres: Lorsque vous êtes devant le radiateur individuel, les espaces libres minimum aux matériaux combustibles sont les suivants:

Côté droit 6" (15.2cm) Côté gauche 6" (15.2cm)

Pour l'entretien, nous recommandons 18" (45.6cm) pour le côté gauche.

Ne pas installer dans une niche ou un placard. Aucune saillie horizontale est permise 55" (1.4m) au-dessus du radiateur.

Plafond 55" (1.4m).

Coupe-tirage au mur arrière 2" (5cm).

Ouvert à l'avant pour permettre l'accès, l'entretien et l'espace libre aux combustibles.

ÉVACUATION

Évacuation

1. Le tuyau d'échappement doit être aussi large que le collet du tuyau sur le coupe-tirage.
2. Maintenir une pente ascendante sur la ligne horizontale d'au moins 1/4" (6mm) pour chaque 12" (30.5cm).
3. Installer le tuyau d'échappement aussi direct que possible, c'est à dire avec le minimum de raccord coudé.
4. Le tuyau d'échappement doit s'allonger à travers la paroi de la cheminée pour être de niveau avec la paroi intérieure.
5. Le tuyau d'échappement doit être supporté adéquatement avec des bandes métalliques.
6. Le tuyau d'échappement à simple paroi peut être attaché directement au coupe-tirage du radiateur individuel si l'espace libre de 2 1/2" (6.4cm) entre le tuyau d'échappement à simple paroi et le mur combustible de la pièce dans laquelle le radiateur individuel est situé, est maintenu. Utiliser un tuyau d'échappement à double paroi pour un espace libre de 1" (2.54cm) aux matériaux combustibles.
7. Pour le tuyau d'échappement courant à travers les murs et le toit, utiliser le tuyau d'échappement B-1 [1" (2.54cm) d'espace libre aux combustibles].
8. Les cheminées doivent s'allonger d'au moins 2' (.6m) au-dessus du toit et au-dessus de tout objet ou de bâtiment avoisinant dans un rayon de 10' (3m).
9. Ne pas utiliser de té ouvert dans le tuyau d'échappement.
10. Cet appareil ne doit pas être branché à une cheminée servant à un autre appareil brûlant un combustible solide.

Pour une ventilation adéquate, ne pas attacher un raccord coudé de 90° directement au coupe-tirage. Si possible, attacher 2' (.6m) de tuyau d'échappement droit avant d'utiliser un coude. Utiliser un coude de 45°, si possible.

Les tuyaux de métal à simple paroi non-isolée ne doivent pas être utilisés dans les endroits à climat froid pour une installation utilisant un gaz d'échappement.

Air de Ventilation et de Combustion

Les radiateurs individuels doivent être installés dans un endroit où la facilité de la ventilation permet une combustion de gaz satisfaisante et un échappement convenable sous des conditions normales. Dans les bâtiments de construction conventionnelle, de brique ou de pierre sans fenêtre et porte étanche, l'infiltration est normalement adéquate pour fournir l'air pour la combustion et la dilution du coupe-tirage.

Lorsque les appareils sont installés dans des endroits confinés d'un bâtiment lequel est exceptionnellement étanche, l'air de combustion et de ventilation doit être obtenu directement de l'extérieur ou d'un espace qui communique librement avec l'extérieur. Sous ces conditions, les endroits confinés doivent être pourvus de deux ouvertures permanentes, une près du dessus de l'enceinte et une près du dessous; chaque ouverture doit avoir un espace libre pas moindre que 2.54cm carré par 1,000 Btuh (3 KW/H) d'entrée totale. Le coupe-tirage doit être dans la même

zone de pression atmosphérique que l'entrée d'air de combustion de l'appareil.

Revêtement Intérieur et Revêtement Intérieur Isolant

Lorsque vous installez un radiateur individuel à air pulsé dans une cheminée de maçonnerie, vous devez suivre ces étapes.

1. La cheminée doit avoir un revêtement intérieur et avoir une grandeur convenable. La plupart des cheminées de maçonnerie sont trop grandes et absorbent trop de chaleur pour être considérées comme étant un événement convenable. Si vous avez des doutes, vous devrez installer un revêtement intérieur qui offrira la bonne grandeur d'événement. S'il n'y a aucun revêtement, vous devez en installer un.
2. Utilisez un revêtement intérieur isolant lorsque la cheminée est à l'extérieur, trois côtés exposés au climat, et lorsqu'il n'y a pas de revêtement argileux dans la cheminée. L'isolation aidera à garder chaud les gaz d'évacuation.

L'Enceinte de l'Événement Isolée

Les radiateurs individuels à air pulsé dont l'événement va directement à l'extérieur et au-dessus des avant-toits peuvent avoir une évacuation inadéquate. Lorsque le tuyau est froid, un délai de l'évacuation convenable se fera et entraînera l'interrupteur de sûreté de l'événement de "fermer" le radiateur individuel. Pour prévenir le délai de l'évacuation aussi bien que la condensation dans les conduits d'évacuation, nous recommandons d'isoler l'enceinte d'événement.

Utiliser les tuyaux d'événement de type B 5" (12.7cm) et garder un espace libre d'au moins 1" (25mm) aux combustibles.

Utiliser une bague en métal pour protéger les tuyaux d'événement lorsqu'ils passent à travers les combustibles.

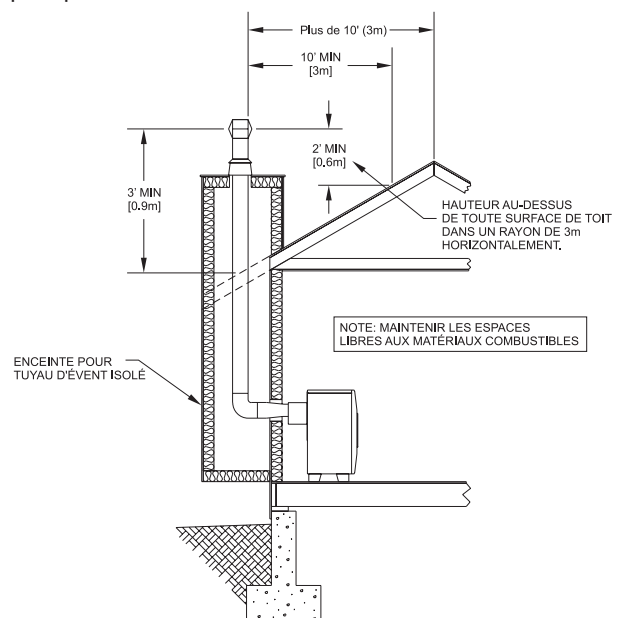


Figure 3

LE SYSTÈME DE FERMETURE DE SÛRETÉ DE L'ÉVENT

Cet appareil doit être branché correctement à un système d'évacuation. Cet appareil est muni d'un système de fermeture de sûreté de l'évent.

⚠ AVERTISSEMENT

Le fonctionnement de ce radiateur lorsqu'il n'est pas branché à un système d'évacuation lequel doit être installé et entretenu correctement ou lorsque vous tripotez avec le système de fermeture de sûreté de l'évent, peut causer un empoisonnement au monoxyde de carbone (CO) et possiblement la mort.

Cet appareil a besoin d'air frais pour un fonctionnement sécuritaire et doit être installé de façon à ce qu'il y est un approvisionnement satisfaisant pour une combustion et une ventilation d'air adéquate.

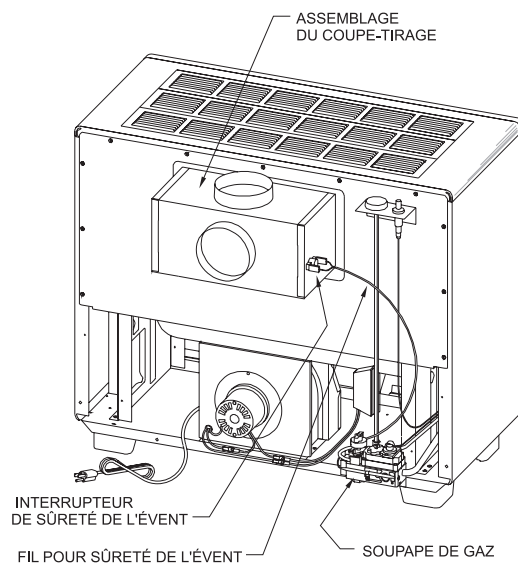
Ce radiateur individuel est muni d'un interrupteur de sûreté de l'évent. Lors d'une évacuation inadéquate ou d'une obstruction de la cheminée, l'interrupteur de sûreté de l'évent provoquera une fermeture du débit de gaz à la veilleuse.

Si l'interrupteur de sûreté de l'évent continu d'arrêter le débit de gaz à la veilleuse, un technicien d'entretien qualifié doit être contacté pour vérifier s'il y a une évacuation inadéquate, une obstruction dans le tuyau d'échappement ou si l'interrupteur de sûreté de l'évent est défectueux.

COUPE-TIRAGE RÉVERSIBLE SOIT VERTICAL OU HORIZONTAL

Ce radiateur a un coupe-tirage réversible. À l'usine, le coupe-tirage est installé dans la position verticale. Pour changer le coupe-tirage de la position verticale à la position horizontale, s'il vous plaît, suivez les étapes suivantes.

1. Enlever l'interrupteur de sûreté de l'évent L280 du coupe-tirage.
2. À l'intérieur de l'enveloppe jaune d'instructions, vous trouverez une plaque de 1 1/2" x 2 1/4" (38mm x 51mm) pour couvrir le trou de l'interrupteur de sûreté de l'évent et deux (2) vis de 1/2" (13mm) pour attacher la plaque au coupe-tirage. Fixer cette plaque par dessus le trou du coupe-tirage provenant de l'interrupteur de sûreté de l'évent que vous avez enlevé.
3. Enlever deux (2) vis au bas du coupe-tirage et soulever pour enlever le coupe-tirage de la plaque du coupe-tirage. Tourner le coupe-tirage dans la position horizontale et remettre dans la plaque du coupe-tirage. Attacher deux (2) vis au bas du coupe-tirage.
4. Enlever l'entrée défonçable pour le trou de l'interrupteur de sûreté de l'évent et les deux (2) entrées défonçables pour les vis sur le côté opposé du coupe-tirage.
5. Attacher l'interrupteur de sûreté de l'évent L280 au coupe-tirage.
6. Le repositionnement du coupe-tirage est complété.



LE COUPE -TIRAGE PEUT AVOIR UNE ÉVACUATION VERTICALE OU HORIZONTALE

Figure 4

FONCTIONNEMENT DU THERMOSTAT

Pour mettre en circuit le brûleur, tourner le bouton indicatif vers le numéro 7. Pour mettre hors circuit le brûleur, tourner le bouton indicatif vers le numéro 1.

Les numéros indicatifs 1 jusqu'à 7 correspondent à 50° jusqu'à 90°F (10° jusqu'à 32°C). Ceci est la température à l'ampoule du thermostat et non celle de la pièce. Le propriétaire détermine le réglage de chaleur qu'il désire pour son confort, étant donné que les exigences diffèrent pour chaque propriétaire.

Attention: Si vous ne désirez pas de chaleur, tourner le bouton de contrôle de gaz à la position "veilleuse".

INSTRUCTIONS D'ALLUMAGE

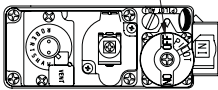
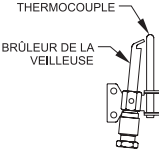
POUR VOTRE SÉCURITÉ, LIRE AVANT D'ALLUMER

⚠ AVERTISSEMENT

Si vous ne suivez pas exactement ces instructions, un feu ou une explosion peut se produire causant des dommages à la propriété, des blessures corporelles ou la mort.

- A. Cet appareil a une veilleuse qui doit être allumée manuellement. Lorsque vous allumez la veilleuse, suivez exactement ces instructions.
- B. **AVANT D'ALLUMER**, sentir partout dans l'appartement dans lequel l'appareil est installé pour détecter une odeur de gaz. Soyez certain de sentir près du plancher parce qu'il y a des gaz qui sont plus pesant que l'air et ceux-ci resteront sur le plancher.
- QUOI FAIRE SI VOUS SENTEZ LE GAZ**
- N'essayer pas d'allumer un appareil.
 - Ne toucher pas les interrupteurs électriques. N'utiliser pas les téléphones dans le bâtiment.
 - Appeler immédiatement votre fournisseur de gaz en employant le téléphone de votre voisin. Suivre les instructions du fournisseur de gaz.
- C. Si vous ne pouvez pas contacter votre fournisseur de gaz, appeler le poste de pompiers.
- D. Utiliser seulement votre main pour pousser ou tourner le bouton de contrôle de gaz. N'utiliser jamais des outils. Si vous ne pouvez pas pousser ou tourner le bouton avec vos mains, n'essayer pas de le réparer; appeler un technicien qualifié. Forcer ou essayer de réparer peut résulter en un feu ou une explosion.
- E. Ne pas utiliser cet appareil si une pièce a été en contact avec l'eau. Appeler immédiatement un technicien qualifié pour inspecter le radiateur et remplacer toute pièce du système de commande et les commandes de gaz qui ont été en contact avec l'eau.

INSTRUCTIONS D'ALLUMAGE

1. Arrêter! Lire les informations de sécurité à la gauche de cette étiquette.
 2. Mettre le thermostat à son plus bas réglage.
 3. Éteindre tout pouvoir électrique à l'appareil, (si applicable)
 4. Pousser légèrement le bouton de contrôle de gaz et tourner dans le sens horaire à la position "fermé".
- NOTE: Le bouton ne peut pas être tourné de la position "veilleuse" à la position "fermé", à moins de pousser légèrement le bouton. Ne pas forcer.
- 
- BOUTON DE CONTRÔLE DE GAZ EST MONTRÉ DANS LA POSITION "FERMÉ"
5. Attendre 10 minutes pour se débarrasser des gaz. Après les 10 minutes, sentir partout y compris près du plancher pour détecter une odeur de gaz. Si vous sentez le gaz, Arrêter! Suivre "B" dans les informations de sécurité ci-dessus sur cette étiquette. Si vous ne sentez aucun gaz, aller à la prochaine étape.
 6. Enlever la paroi avant du radiateur et trouver la veilleuse en suivant le tube de métal venant de la commande de gaz. Observer la veilleuse à travers la vitre de la chambre de combustion.
 7. Tourner le bouton de contrôle de gaz dans le sens antihoraire à la position "veilleuse."
- 
- THERMOCOUPLE
BRÛLEUR DE LA VEILLEUSE
8. Pousser et tenir le bouton de contrôle et pousser à plusieurs reprises le bouton d'allumage jusqu'à ce que la veilleuse s'allume (ou utiliser une allumette pour allumer). Continuer de tenir le bouton de contrôle pour environ une minute après que la veilleuse soit allumée. Relâcher le bouton et il reviendra à sa position. La veilleuse est supposé rester allumée. Si elle s'éteint, recommencer les étapes 4 jusqu'à 8.
 - Si le bouton ne revient pas à sa position lorsque vous le relâchez, arrêter et appeler immédiatement un technicien d'entretien ou le fournisseur de gaz.
 - Si la veilleuse ne reste pas allumée après plusieurs essais, tourner le bouton de contrôle de gaz à la position "fermé" et appeler votre technicien d'entretien ou votre fournisseur de gaz.
9. Replacer la paroi avant du radiateur.
 10. Tourner le bouton de contrôle de gaz dans le sens antihoraire à la position "ouvert".
 11. Allumer tout le pouvoir électrique de l'appareil (Si applicable).
 12. Mettre le thermostat au réglage désiré.

POUR FERMER LE GAZ À L'APPAREIL

1. Mettre le thermostat au plus bas réglage.
2. Si l'entretien doit être fait, éteindre tout le pouvoir électrique à l'appareil. (si applicable).
3. Pousser légèrement le bouton de contrôle de gaz et tourner dans le sens horaire  à la position "OFF". Ne pas forcer.

ASPECT CONVENABLE DE LA FLAMME DE LA VEILLEUSE

La flamme sera quasiment horizontale, bleue et s'allongera au-delà du thermocouple de 1/4" (6mm). La flamme entourera le thermocouple juste en-dessous de la pointe.

Avec du Gaz Propane, un jaune pâle apparaîtra à l'endroit où la flamme de la veilleuse rencontrera la flamme du brûleur.

La veilleuse du Gaz Naturel demande un ajustement lorsque la pression d'entrée est supérieure à 5.0" w.c. (1.25kPa). Enlever le couvercle d'ajustement de la veilleuse. Tourner la vis d'ajustement dans le sens des aiguilles d'une montre pour réduire la flamme.

Le gaz propane ne demande aucun ajustement.

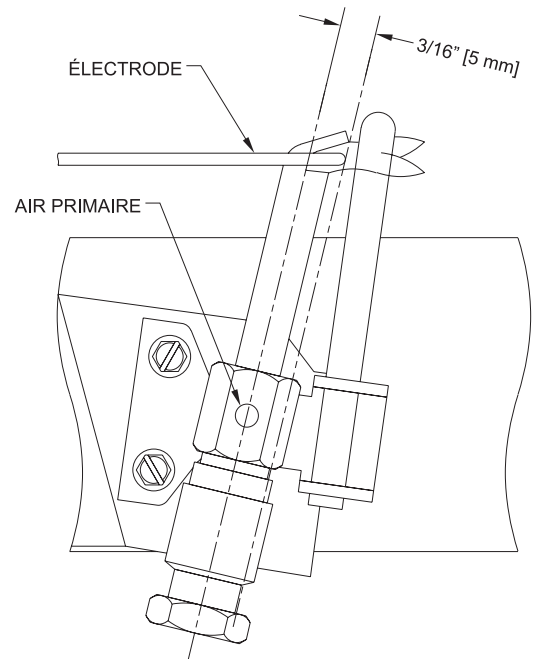


Figure 5

ASPECT CONVENABLE DE LA FLAMME DU BRÛLEUR PRINCIPAL

Il y aura une petite flamme bleue intérieure avec une flamme secondaire bleue pâle plus large. La flamme du brûleur peut avoir une pointe jaune lorsqu'elle est chaude. Des poussières dans l'air de combustion produira une flamme orange ou rouge. Ne pas confondre une flamme orange ou rouge avec une flamme jaune incorrecte. La flamme sera convenable si vous utilisez la pression et l'orifice réglé en usine. Après l'usage, un nettoyage peut être exigé pour obtenir la flamme convenable.

Avec le gaz propane, un bruit de sifflement (résonance) survient

- Visser le boulon d'ajustement d'air dans la gorge du brûleur pour éliminer le sifflement (résonance).
- Percer l'ouverture du brûleur principal avec une mèche d'une perceuse. Pour le RH-50(C), employer une mèche #47. Pour le RH-65(C) employer une mèche 2.3mm.

Ajustement de l'Air Principale voir page 12.

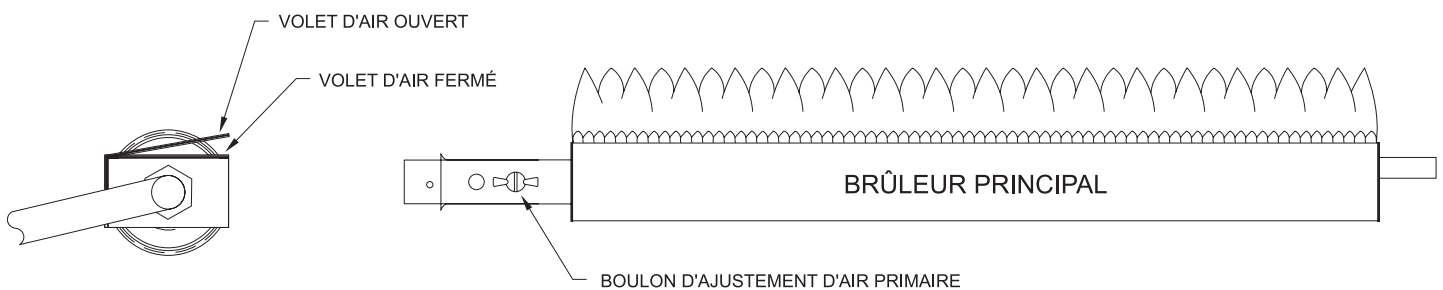


Figure 6

MAINTENANCE

Nettoyage du Brûleur de la Veilleuse

Après l'utilisation, un nettoyage du brûleur de la veilleuse peut être exigé pour obtenir une flamme convenable. L'orifice de la veilleuse peut être nettoyé avec de l'air à haute pression ou en plaçant sous l'eau courante. L'orifice de la veilleuse doit être sec avant de le replacer. Employer un nettoyeur à tuyau pour nettoyer l'intérieur de la veilleuse après que l'orifice de la veilleuse soit enlevé.

Enlever l'Orifice de la Veilleuse

1. Débrancher la ligne d'alimentation du brûleur de la veilleuse.
2. Du brûleur de la veilleuse, enlever l'orifice de la veilleuse. Il peut être nécessaire de taper sur le brûleur de la veilleuse pour enlever l'orifice de la veilleuse.

Nettoyage du Brûleur Principal

Enlever le brûleur et appliquer une pression d'eau à l'intérieur de la gorge du brûleur et dans les orifices; suivre avec une pression d'air.

Enlever le Brûleur Principal

1. Enlever la paroi avant.
2. Du brûleur, débrancher le support de la veilleuse.
3. Enlever l'écrou de laiton du brûleur.
4. Débrancher le brûleur du collet de la jambe de la chambre.
5. Enlever le brûleur du fond de la chambre de combustion.

Nettoyage de la Chambre de Combustion

Un technicien d'entretien qualifié devrait enlever la chambre et appliquer une pression d'air à l'intérieur de façon à nettoyer tous les passages.

Ajustement d l'Air Principale

1. Un boulon pour l'ajustement de l'air principale est situé à l'avant gauche de la gorge du brûleur. Le boulon peut être vissé dans la gorge du brûleur pour RÉDUIRE l'air principale ou dévissé pour AUGMENTER l'air principale.

Pour réduire la flamme jaune du brûleur principal, dévissez le boulon de la gorge du brûleur. Aussi, référez-vous à l'étape 2. Pour réduire le bruit de résonance (sifflement) ou le bruit d'extinction (pétitement), vissez le boulon dans la gorge du brûleur.

2. Un crochet pour le volet d'air est attaché au dessus de la gorge du brûleur. Le crochet pour le volet d'air repose à travers le dessus de la gorge du brûleur.

Si les flammes jaunes ne peuvent pas disparaître du brûleur principal en utilisant le boulon pour l'ajustement de l'air principale, le crochet du volet d'air peut être pivoté vers le haut pour permettre plus d'air principale d'entrer dans la gorge du brûleur.

Pour le gaz propane, si un sifflement (résonance) survient, visser le boulon d'ajustement d'air dans la gorge du brûleur pour éliminer le sifflement (résonance).

DÉTECTION DES DÉFECTUOSITÉS

1. Impossible d'allumer la veilleuse
 - a. Si vous utilisez le piezo-allumeur, vérifier l'endroit de l'électrode.
 - b. Enlever l'écrou de l'orifice et vérifier qu'il y est du gaz.
 - c. S'il y a du gaz, vérifier pour un orifice ou une veilleuse obstrué.
2. Trouble de la veilleuse
 - a. Grandeur convenable de la flamme de la veilleuse.
 - b. Thermocouple défectueux ou faible.
3. La veilleuse s'enflamme mais s'éteint lorsque le bouton est relâché
 - a. La flamme de la veilleuse ne couvre pas le thermocouple convenablement.
 - b. Thermocouple défectueux.
 - c. Un aimant défectueux dans la partie de sécurité de la valve.
4. Le contrôle du thermostat est inefficace
 - a. Section du thermostat est défectueuse.
5. Souffleur bruyant
 - a. Serrer les vis du souffleur.
 - b. Vérifier le balancement des roues du souffleur.
6. Flamme jaune du brûleur principal
 - a. Enlever le brûleur principal pour vérifier s'il y a une obstruction dans la gorge, les orifices et les passages.
 - b. Installer un nouvel orifice du brûleur principal et un nouvel orifice de la veilleuse.
 - c. Vérifier la valve de gaz pour une fuite.
 - d. Ouvrir le boulon d'air du brûleur principal de façon à augmenter la quantité d'air primaire.
7. Flamme jaune de la veilleuse
 - a. Petit bout jaune inacceptable.
 - b. Enlever l'orifice de la veilleuse. Vérifier et nettoyer.
8. Veilleuse et brûleur principal s'éteignent après avoir brûlé pour quelques minutes
 - a. L'évacuation des produits d'échappement est inadéquate. Réallumer et vérifier pour une évacuation inadéquate.
 - b. Si l'évacuation est convenable, vérifier l'interrupteur de sûreté de l'événement. Remplacer si défectueux.
9. Retour de flamme au brûleur ou éclatement et brûle à l'orifice du brûleur principal
 - a. Examiner le brûleur pour un défaut.
10. Le souffleur ne fonctionne pas
 - a. Vérifier le contrôle du ventilateur pour un court-circuit à travers les bornes.
 - b. Vérifier pour un blocage de la roue du souffleur en enlevant la roue et en faisant fonctionner le moteur.
 - c. Vérifier pour un blocage de l'essieu, dû à un manque d'huile.

Cette page a été intentionnellement laissée vierge.

LISTE DES PIÈCES RH-50 & RH-65

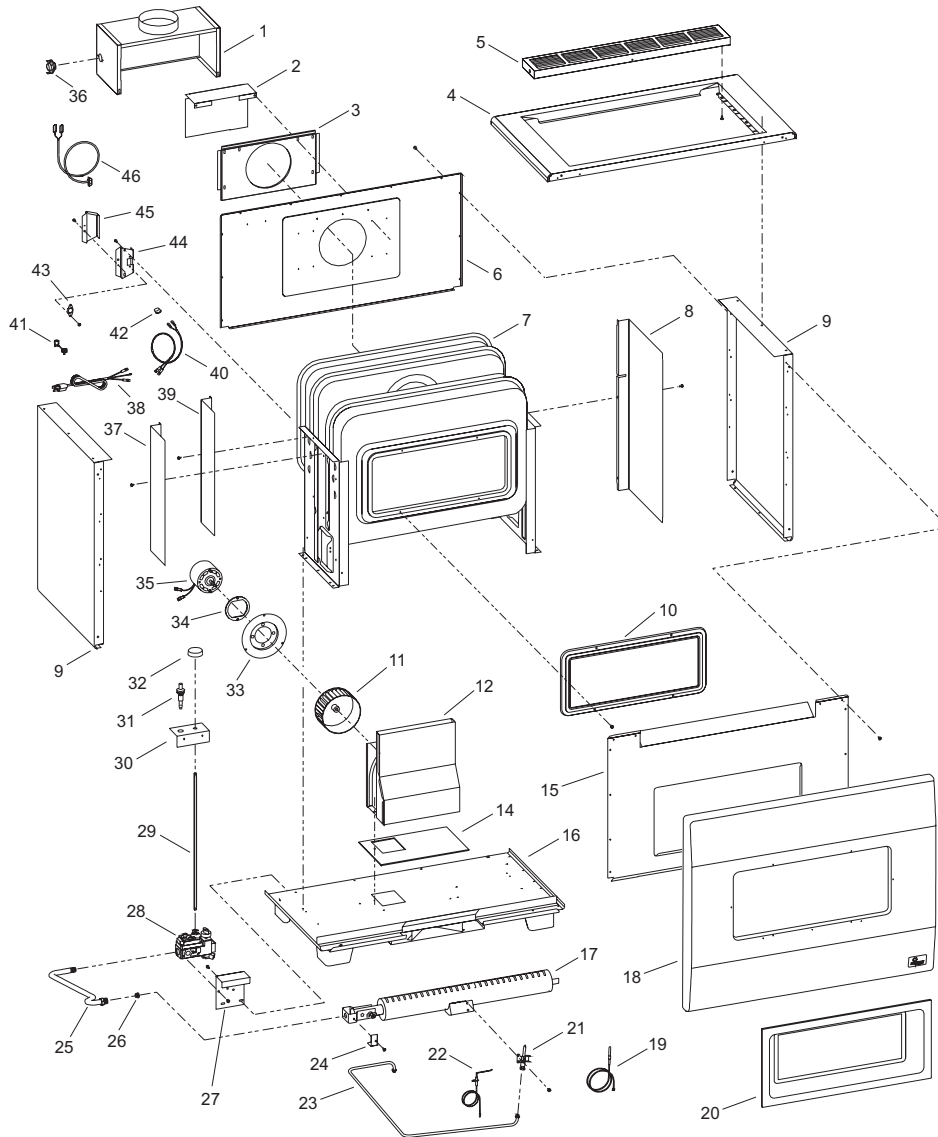
Numéro d'index	Numéro de la pièce	Description
1	11723	Assemblage du coupe-tirage
2	RH802	Écran contre les courants d'air (RH-50-7 Naturel & Propane RH-65-7 Naturel)
2	RH851	Écran contre les courants d'air (RH-65-7 Propane)
3	11724	Plaque du coupe-tirage
4	11719	Paroi du dessus (RH-50-7)
4	11720	Paroi du dessus (RH-65-7)
5	11707	Volet (RH-50-7, exige 3) (RH-65-7, exige 4)
6	11745	Paroi arrière
7	RH652	Assemblage de la chambre de combustion (RH-50-7)
7	RH626	Assemblage de la chambre de combustion (RH-65-7)
8	RH654	Écran de la chambre - Droit (RH-50-7)
8	RH655	Écran de la chambre - Droit (RH-65-7)
9	11721	Paroi de côté (RH-50-7)
9	11722	Paroi de côté (RH-65-7)
10	RH527	Assemblage de la vitre
11	R369	Roue de la soufflerie
12	11727	Cage de la soufflerie et assemblage de la chute
14	RH138	Coussin de la soufflerie
15	RH618	L'avant intérieur
16	11725	Assemblage de la paroi du dessous (RH-50-7)
16	11726	Assemblage de la paroi du dessous (RH-65-7)
17	RH853	Brûleur
18	32289	Boîtier Assemblage Avant
19	R776	Thermocouple
20	RH620	Poche
21	R775L	Brûleur de la veilleuse avec orifice (Propane)
21	R775N	Brûleur de la veilleuse avec orifice (Naturel)
22	RH662	Assemblage du fil et de l'électrode
23	39255	Tuyauterie de la veilleuse W/Des viroles (RH-50-7)
23	39256	Tuyauterie de la veilleuse W/Des viroles (RH-65-7)
24	RH457	Support pour volet d'air

Numéro d'index	Numéro de la pièce	Description
25	P206	Assemblage du tuyau de gaz (RH-50-7)
25	P207	Assemblage du tuyau de gaz (RH-65-7)
26	P8631	Orifice du brûleur principal (RH-50-7 Naturel)
26	P86230	Orifice du brûleur principal (RH-65-7 Propane)
26	P8647	Orifice du brûleur principal (RH-50-7 Propane)
26	P86370	Orifice du brûleur principal (RH-65-7 Naturel)
27	RH856	Support de la valve
28	R2702	Soupape de gaz (Naturel)
28	R2703	Soupape de gaz (Propane)
29	31880	Tige de contrôle
30	RH832	Support pour la tige de contrôle
31	R2708	Piezo-allumeur
32	R367	Bouton
33	11728	Plaque de montage du moteur
34	R587	Coussin du moteur
35	R2605	Moteur
36	R2706	Interrupteur ECO
37	RH653	Écran de la chambre - Gauche
38	R2099	Cordon électrique
39	RH656	Écran de la chambre - Arrière
40	R2091	Assemblage des fils électrique
41	R1468	Manchon anti-tension
42	R896	Manchon
43	R1156	Interrupteur pour la commande du ventilateur
44	RH863	Boîte pour l'interrupteur
45	DV807	Couvercle pour la boîte de l'interrupteur
46	R8195	Assemblage des câbles
N/S	R777N	Orifice de la veilleuse .011 (Naturel)
N/S	R777L	Orifice de la veilleuse .008 (Propane)
N/S	R1630	ECO Adaptateur
N/S	UH441	Interrupteur de Sûreté de l'Évent/ Plaque de Recouvrement ECO

N/S - Pas représenté

UTILISER SEULEMENT LES PIÈCES DE REMPLACEMENT DU FABRICANT. L'EMPLOI DE D'AUTRES PIÈCES PEUT CAUSER DES BLESSURES OU LA MORT.

VUE DES PIÈCES RH-50 & RH-65



COMMENT COMMANDER DES PIÈCES DE RECHANGE

Pièces hors garantie

Les pièces peuvent être commandées auprès d'un réparateur, d'un revendeur ou d'un distributeur de pièce. Voir la liste des distributeurs de pièces principaux plus haut sur cette page. Pour obtenir de meilleurs résultats, il est conseillé au réparateur ou revendeur de commander les pièces auprès du distributeur. Les pièces peuvent être expédiées directement au réparateur ou revendeur.

Pièces sous garantie

Les pièces sous garantie nécessitent un justificatif d'achat et peuvent être commandées auprès du réparateur ou du revendeur. Le justificatif d'achat est **requis** pour les pièces sous garantie.

Toutes les pièces figurant dans la Nomenclature des pièces comportent une Référence. Lors de la commande de pièces, voir d'abord le Numéro de modèle et Numéro de série sur la plaque signalétique de l'appareil. Déterminer ensuite la Référence (**pas** le numéro de Repère) et la Description de chaque pièce à l'aide de l'illustration appropriée et de la liste. Veiller à bien fournir tous ces renseignements...

Numéro de modèle de l'appareil _____ Description de la pièce _____

Numéro de série de l'appareil _____ Numéro de pièce _____

Type de gaz (Propane ou Gaz Naturel) _____

Ne pas commander de boulons, vis, rondelles ou écrous. Ce sont des articles de visserie standard pouvant être achetés dans toute quincaillerie ou magasin de bricolage.

Envois sous réserve de grèves, incendie et autres causes indépendantes de notre volonté.

LISTE DES PIÈCES RH-50C & RH-65C

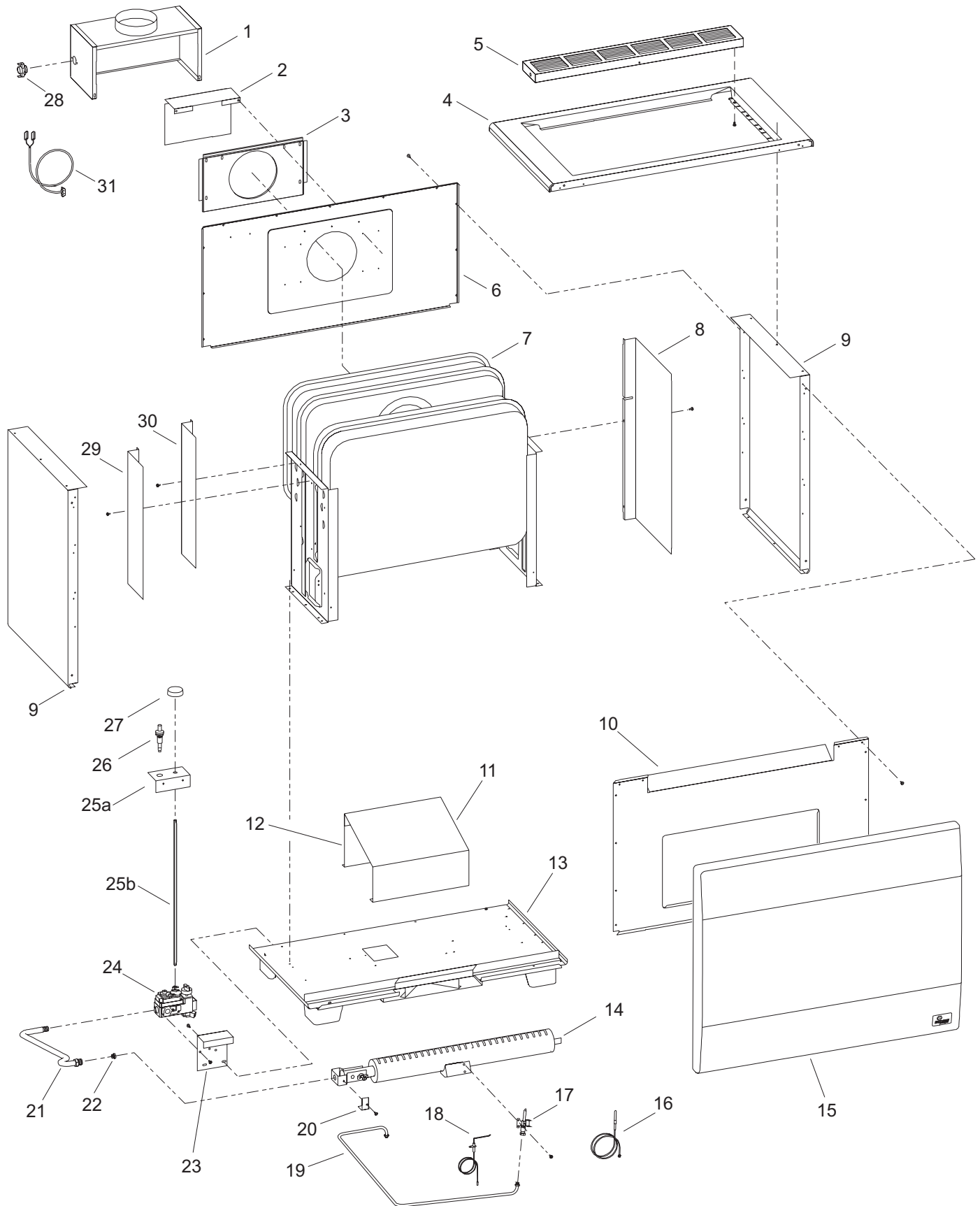
ATTENTION: Lorsque vous commandez les pièces, il est très important que le numéro de la pièce et la description coïncident.

Numéro d'index	Numéro de la pièce	Description
1	11723	Assemblage du coupe-tirage
2	RH802	Écran contre les courants d'air (RH-50-7, RH-65-7)
2	RH851	Écran contre les courants d'air (RH-65-7)
3	11724	Plaque du coupe-tirage
4	11719	Paroi du dessus (RH-50-7)
4	11720	Paroi du dessus (RH-65-7)
5	11707	Volet (RH-50-7, exige 3) (RH-65-7, exige 4)
6	11745	Paroi arrière
7	11741	Assemblage de la chambre de combustion (RH-50-7)
7	11742	Assemblage de la chambre de combustion (RH-65-7)
8	RH654	Écran de la chambre - Droit (RH-50-7)
8	RH655	Écran de la chambre - Droit (RH-65-7)
9	11721	Paroi de côté (RH-50C-7)
9	11722	Paroi de côté (RH-65C-7)
10	RH618	L'avant intérieur
11	RH625	Bas de réflecteur (RH-50C-2)
11	RH660	Bas de réflecteur (RH-65C-2)
12	RH624	Bouclier arrière
13	11725	Assemblage de la paroi du dessous (RH-50-7)
13	11726	Assemblage de la paroi du dessous (RH-65-7)
14	RH853	Brûleur
15	32779	Assemblage paroi avant
16	R776	Thermocouple
17	R775L	Brûleur de la veilleuse avec orifice (Propane)
17	R775N	Brûleur de la veilleuse avec orifice (Naturel)
18	RH662	Assemblage du fil et de l'électrode

Numéro d'index	Numéro de la pièce	Description
19	39255	Tuyauterie de la veilleuse w/des viroles (RH-50-7)
19	39256	Tuyauterie de la veilleuse w/des viroles (RH-65-7)
20	RH457	Support pour volet d'air
21	P206	Assemblage du tuyau de gaz (RH-50C)
21	P207	Assemblage du tuyau de gaz (RH-65C-2)
22	P86370	Orifice du brûleur principal (RH-65C-2 Propane)
22	P8631	Orifice du brûleur principal (RH-65C-2 Naturel)
22	P86230	Orifice du brûleur principal (RH-50C-2 Naturel)
22	P8647	Orifice du brûleur principal (RH-50C-2 Propane)
23	RH856	Support de la valve
24	R2702	Soupape de gaz (Naturel)
24	R2703	Soupape de gaz (Propane)
25a	RH832	Support pour la tige de contrôle
25b	31880	Barre de contrôle
26	R2708	Piezo Allumeur
27	R367	Bouton
28	R2706	Commutateur ECO
29	RH653	Écran de la chambre - Gauche
30	RH656	Écran de la chambre - Arrière
31	R8195	Assemblage des câbles
N/S	R777N	Orifice de la veilleuse .011 (Naturel)
N/S	R777L	Orifice de la veilleuse .008 (Propane)
N/S	R1630	ECO Adaptateur
N/S	UH441	Interrupteur de Sûreté de l'Évent/ Plaque de Recouvrement ECO

N/S - Pas représenté

VUE DES PIÈCES RH-50C & RH-65C



INSTRUCTIONS POUR L'INSTALLATION DE LA SOUFFLERIE FACULTATIVE

FRB-3 POUR LES RADIATEURS INDIVIDUELS MODÈLES

RH-50-(1, 2, 4, 5, 6)

RH-65-(1, 2, 4, 5, 6)

RH-50C-2

RH-65C-2

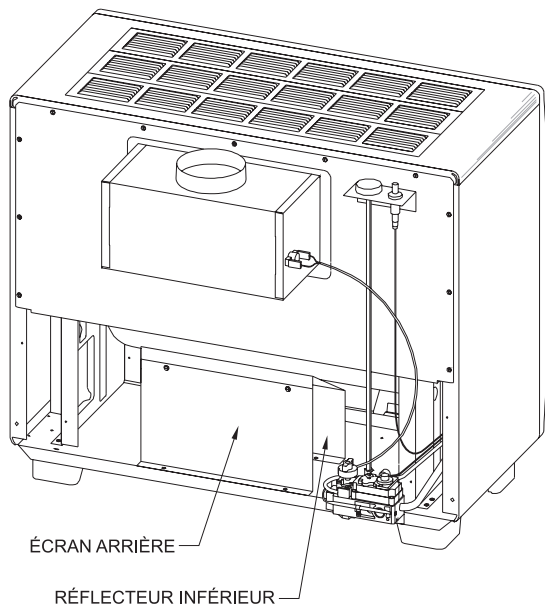


Figure 7

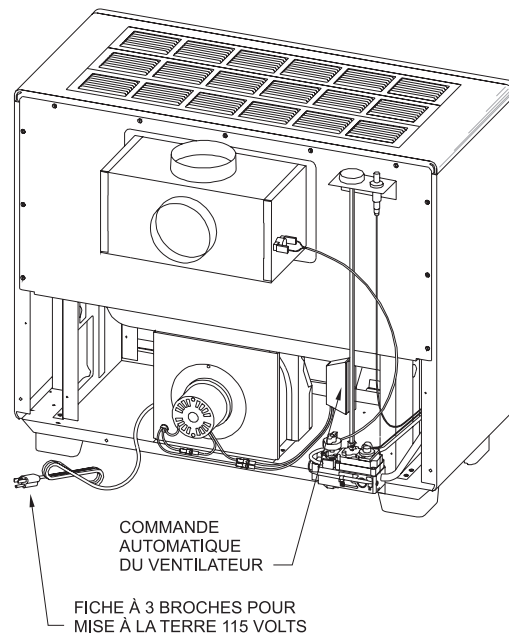


Figure 8

Installation de la Soufflerie Facultative

1. Enlever l'écran arrière (2 vis) et le réflecteur inférieur (4 vis). (Voir Figure 7)
2. Aligner le coussin de la soufflerie avec l'ouverture pour décharge d'air de l'assemblage inférieur. Le côté de la face argenté du coussin de la soufflerie doit être placé vers le haut.
3. Aligner la cage de la soufflerie avec le coussin de la soufflerie et utiliser 2 vis à tête hexagonale #10 x 1/2" (13mm) pour attacher la cage de la soufflerie à l'assemblage inférieur. (Voir Figure 8).
4. Garder le réflecteur inférieur et l'écran arrière (enlever dans la première étape) au cas où la cage de la soufflerie serait enlevée du radiateur individuel.
Attention! Si la cage de la soufflerie est enlevée et que le radiateur est en fonction, le réflecteur inférieur et l'écran arrière doivent être attachés à l'assemblage inférieur.
5. Enlever le couvercle de la boîte d'interrupteur en enlevant la vis à tête hexagonale #8 x 1/4" (6mm).
6. Il y a deux trous de vis sur la partie inférieure arrière de la chambre de combustion. Utiliser seulement le trou de gauche pour le montage.
7. Avec la boîte d'interrupteur perpendiculaire à la chambre de combustion, aligner le trou rond libre sur la boîte d'interrupteur avec le trou de vis situé à gauche sur la chambre de combustion. (Voir Figure 9)
8. Attacher la boîte d'interrupteur à la chambre de combustion en utilisant la vis à tête hexagonale #10 x 1/2" (13mm). La vis est fournie.
9. Attacher le couvercle de la boîte d'interrupteur à la boîte d'interrupteur en utilisant la vis à tête hexagonale #8 x 1/4" (6mm). (Voir Figure 10)

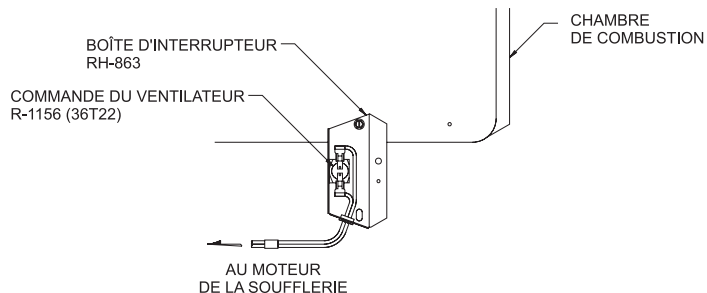


Figure 9

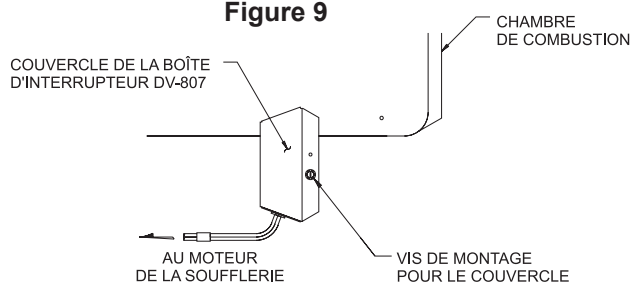


Figure 10

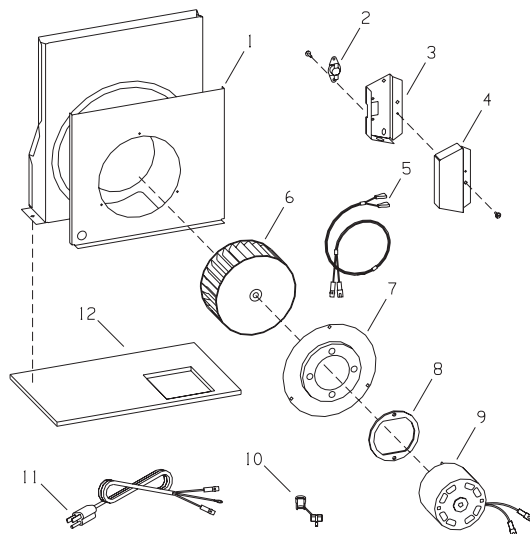
ATTENTION: Le harnais des fils électriques sur la soufflerie est assemblé et installé à l'usine. Si le harnais des fils électriques se désassemble, suivez les étapes suivantes pour le réassembler.

1. Attacher l'axe terminal du fil noir (sous tension) ayant une gaine lisse à la prise terminale sur l'assemblage de la commande du ventilateur.
2. Attacher l'axe terminal du fil noir (neutre) ayant la gaine nervurée à la prise terminale du fil blanc (neutre) du moteur.
3. Attacher l'axe terminal de l'assemblage de la commande du ventilateur à la prise terminale du fil noir (sous tension) du moteur.
4. Attacher le fil vert de la prise de terre avec une des vis #10 x 1/2" (13mm) de la cage de la soufflerie.

Commande du Ventilateur

La commande automatique du ventilateur est situé dans la boîte d'interrupteurs. La boîte d'interrupteurs est attachée au devant de l'assemblage de la soufflerie. La boîte d'interrupteurs est adjacente à la chambre de combustion. La commande du ventilateur est un genre automatique qui ne peut pas être ajusté. La commande du ventilateur exige entre 5 et 10 minutes de fonctionnement du brûleur principal avant que la commande du ventilateur se "ferme" et active la soufflerie. La soufflerie continuera de fonctionner entre 5 et 10 minutes après la fermeture du brûleur principal et avant que la commande du ventilateur "s'ouvre" et arrête la soufflerie.

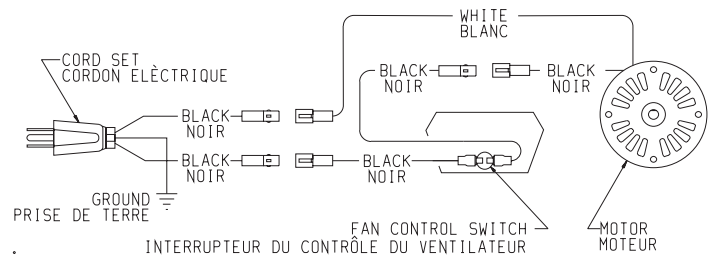
Numéro d'index	Numéro pièce	Description
1	11727	Cage de la soufflerie et assemblage de la chute
2	R1156	Interrupteur de la commande du ventilateur
3	RH-863	Boîte d'interrupteur
4	DV-807	Couvercle de la boîte d'interrupteur
5	R-2091	Assemblage des fils
6	R369	Roue de la soufflerie
7	11728	Plaque de montage du moteur
8	R587	Coussin du moteur
9	R-2605	Moteur
10	R1468	Manchon de Relief
11	R-2099	Cordon électrique
12	RH-138	Coussin de la soufflerie



Pose Des Fils Électriques

Si vous utilisez une source électrique extérieure, l'appareil, lorsqu'il est installé, doit avoir une prise de terre conforme avec les codes locaux ou dans l'absence de codes locaux, avec le National Electrical Code, ANSI/NFPA70 ou Canadian Electrical Code, CSA C22.1. Pour votre protection contre les dangers de chocs, cet appareil est muni d'une fiche à trois broches (prise de terre) qui doit être branchée directement dans une prise de courant femelle qui a été convenablement mise à terre. Ne pas couper ou enlever la broche de mise à terre de cette fiche. Pour une prise de courant femelle qui n'a pas de mise à terre, un adaptateur qui a deux broches et un fil de mise à terre peut être acheté et branché dans la prise de courant femelle qui n'a pas de mise à terre et le fil doit être attaché à la vis du support de la prise de courant. Avec ce fil complétant la mise à terre, la fiche de l'appareil peut être branchée dans l'adaptateur. La boîte de jonction est munie d'un trou de 7/8" (22.2mm) pour utiliser un raccord conducteur, si les codes locaux exigent ce genre de protection.

Diagramme de l'Installation Électrique



S'il y a un fil original, fourni avec l'appareil, qui doit être remplacé, il doit être remplacé avec un fil du genre 125°C ou l'équivalent.

⚠ AVERTISSEMENT

Lors de l'entretien des commandes, tous les fils doivent être identifiés avant de les débrancher. Une erreur de filetage peut entraîner un mauvais et dangereux fonctionnement. Vérifier que le fonctionnement soit convenable après l'entretien.

⚠ AVERTISSEMENT

Débrancher l'accessoire de la soufflerie n'arrêtera pas le cycle du radiateur. Pour fermer le radiateur:

1. Tourner le cadran de température ou le thermostat à son plus bas réglage.
2. Tourner le bouton de contrôle de gaz à "OFF", relâcher légèrement. Ne pas forcer.

Nettoyage

La roue de la soufflerie amassera de la poussière et pourra nécessiter un nettoyage une fois par année. Une roue sale occasionnera une diminution de la sortie d'air ou une augmentation du niveau de bruit. Nous recommandons d'enlever complètement la roue et de la brosser avec une brosse sous l'eau courante.

Huiler

Le moteur de la soufflerie a un trou pour l'huile situé à chaque bout du moteur. Utiliser seulement de l'huile à moteur #20. Nous recommandons de huiler le moteur quelque fois durant la saison de chauffage en employant 2 ou 3 gouttes chaque fois. Si le moteur ne part pas et bourdonne, le palier peut froter dû au manque d'huile. Vous pouvez corriger ceci en versant du kérosène dans les trous d'huile, attendre quelques heures et puis huiler correctement.

GARANTIE

Empire Comfort Systems Inc. garantit que ce produit de chauffage individuel est exempt de défauts au moment de son achat et pendant les périodes indiquées ci-dessous. Les produits de chauffage individuel doivent être installés par un technicien qualifié et doivent être entretenus et utilisés de façon sécuritaire, en conformité avec les instructions du mode d'emploi. Cette garantie est accordée à l'acheteur initial seulement et n'est pas transférable. Toutes les réparations sous garantie doivent être exécutées par un technicien d'appareil au gaz qualifié.

Garantie limitée de dix ans sur les pièces – Chambre de combustion

En cas de défaillance de la chambre de combustion (voir la nomenclature des pièces) en raison de défauts de pièces ou de main-d'œuvre dans les dix ans à compter de la date d'achat, Empire s'engage à la réparer ou à la remplacer, au choix d'Empire.

Garantie limitée d'un an sur les pièces – Télécommande, thermostats, accessoires et pièces

En cas de défaillance d'une télécommande, d'un thermostat, d'un accessoire ou autre pièce en raison de défauts de main-d'œuvre dans un délai d'un an à compter de la date d'achat, Empire s'engage à la réparer ou à la remplacer, au choix d'Empire.

Obligations du propriétaire

L'appareil doit être installé par un installateur qualifié et utilisé en conformité avec les instructions fournies avec l'appareil. Conserver une facture, un chèque oblitéré ou un justificatif de paiement pour attester de la date d'achat et établir la période de garantie. Accès immédiat à l'appareil pour la réparation.

Ce qui n'est pas couvert

Dommages pouvant résulter de l'emploi, de l'emploi abusif ou d'une installation incorrecte de cet appareil.
Frais de déplacement, de diagnostic et de transport des pièces sous garantie vers et depuis l'usine.
Réclamations qui n'impliquent pas des défauts de pièces ou de main-d'œuvre.
Réparations ou remplacements de pièces non autorisés.
Coûts de dépose et de remontage.
Appareil inutilisable en raison d'un entretien incorrect ou insuffisant.

Comment recourir à la garantie

Pour soumettre une réclamation en garantie, veiller à avoir le reçu à disposition et communiquer avec le revendeur installateur. Indiquer au revendeur le numéro de modèle, le numéro de série, le type de gaz et le justificatif d'achat. Le revendeur installateur a pour responsabilité d'assurer la réparation et s'adressera à l'usine pour mettre en œuvre tout remplacement de pièces sous garantie. Empire met les pièces de rechange à disposition à l'usine. Les frais de port ne sont pas couverts.

Si, après s'être adressé au revendeur Empire, le service reçu n'est pas satisfaisant, communiquer avec : Consumer Relations Department, Empire Comfort Systems Inc., PO Box 529, Belleville, Illinois 62222 (États-Unis) ou envoyer un courriel à info@empirecomfort.com en indiquant « Consumer Relations » dans le champ de sujet.

Vos droits en vertu de la loi provinciale

Cette garantie vous accorde des droits juridiques particuliers, toutefois vous pouvez avoir d'autres droits, qui varient d'une province à l'autre.



SINCE 1932

www.empirecomfort.com

Empire Comfort Systems Inc.
Belleville, Illinois

Pour toute question générale concernant nos produits, veuillez nous envoyer un courriel à info@empirecomfort.com.

Pour toute question d'entretien ou de réparation, veuillez contacter votre revendeur.