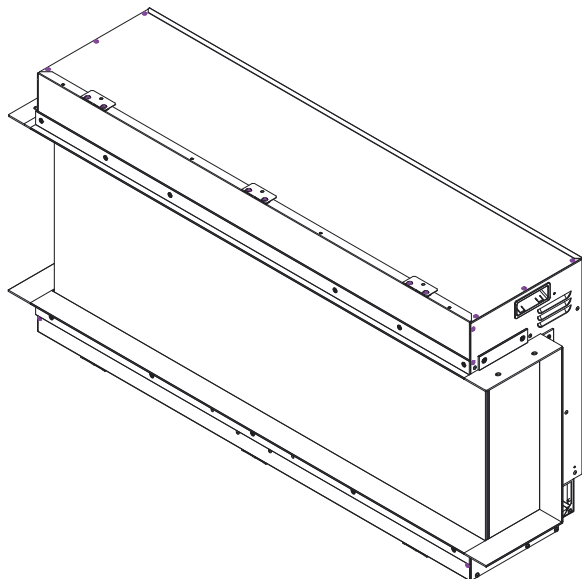


**Scion Series:**

**Model(s):**

**SF-SCT43-BK**

**SF-SCT55-BK**



### NOTICE



#### DO NOT DISCARD THIS MANUAL

- Important operating and maintenance instructions included.
- Read, understand and follow these instructions for safe installation and operation.
- Leave this manual with party responsible for use and operation.

**DO NOT  
DISCARD**

### Congratulations!

Congratulations on selecting a SimpliFire Electric Fireplace, an elegant and clean alternative to wood and gas burning fireplaces. The SimpliFire electric fireplace you have selected is designed to provide the utmost in safety, reliability, and efficiency.

**READ CAREFULLY BEFORE ATTEMPTING TO ASSEMBLE, INSTALL, OPERATE, OR MAINTAIN THIS PRODUCT.**

**PROTECT YOURSELF AND OTHERS BY OBSERVING ALL SAFETY INFORMATION. FAILURE TO COMPLY WITH INSTRUCTIONS COULD RESULT IN PERSONAL INJURY AND/OR PROPERTY DAMAGE.**

**⚠ WARNING: To reduce risk of fire, electrical shock, or personal injury, read and understand all instructions, including safety information before plugging in and using this appliance.**

# 1 IMPORTANT INSTRUCTIONS

## IMPORTANT SAFETY INSTRUCTIONS

**WARNING! Risk of Fire! Risk of Burns!  
Risk of Electrical Shock!**

**DO NOT:**

- Install or operate damaged heater
- Modify heater
- Operate the heater without fully assembling all components

*Hearth & Home Technologies Inc. disclaims any responsibility for, and the warranty and agency listing will be voided by the above actions.*

When using electrical appliances, basic precautions should always be followed to reduce the risk of fire, electric shock, and injury to persons, including the following:

- Read all instructions before installing this appliance.
- This appliance is hot when in use. To avoid burns, do not let bare skin touch hot surfaces. Keep combustible materials such as furniture, pillows, bedding, papers, clothes, etc., and curtains at least 3 ft. (0.9 m) from the front of the appliance and keep them away from the sides and rear.
- Extreme caution is necessary when any appliance is used by or near children or other at risk individuals and whenever the appliance is left operating and unattended.
- Do not operate any appliance if it malfunctions. Disconnect power at service panel and have appliance inspected by a certified electrician before reusing.
- Do not insert or allow foreign objects to enter any ventilation or exhaust opening as this may cause an electric shock or fire, or damage the appliance.
- To prevent a possible fire, do not block appliance connection fan air intakes or exhaust in any manner.
- A heater has hot and sparking parts inside. Do not use it in areas where gasoline, paint, or flammable vapors or liquids are used or stored.
- Use this appliance only as described in this manual. Any other use not recommended by the manufacturer may cause fire, electric shock, or injury to persons.
- Do not operate any appliance with a damaged cord or plug or after the appliance malfunctions, has been dropped or damaged in any manner. Return appliance to authorized service facility for examination, electrical or mechanical adjustment or repair.
- Always use properly grounded, fused and polarized outlets.
- Always use ground fault protection where required by electrical code.
- To disconnect appliance, turn controls to "OFF" then turn off the circuit breaker.
- To prevent electrical shock or fire, always use a certified electrician should new circuits be required.
- When transporting or storing the appliance, keep in a dry place free from excess vibration to avoid damage.

**WARNING! DO NOT operate fireplace before reading and understanding operating instructions.** Failure to operate appliance according to operating instructions could cause fire or injury.

**WARNING! Improper installation, adjustment, alteration, service or maintenance can cause injury or property damage.** Failure to install appliance according to Owner's Manual could cause property damage or injury.

**NOTICE!** This appliance is not intended for use as a primary heat source and should not be factored as such in residential heating calculations.

- To prevent possible fire, do not store or use gasoline or other flammable vapors and liquids in the vicinity of the heater.
- Never locate appliance where it may fall into a bathtub or water container.
- **AVOID FIRE!** Regularly inspect all air vents to make sure they are free from dust, lint, or other blockage. Turn off power by turning off the circuit breaker to the unit and clean with a vacuum ONLY. **DO NOT** rinse or get wet.
- **NEVER** hang this unit on a wall directly below an electrical outlet.
- **WARNING:** Reduce the risk of fire or electrical shock - do not use this heater with any solid state speed control devices.
- This product is not intended to be a primary heat source. It is for supplemental heat only.
- **INDOOR use only!** Never use this heater outdoors. Doing so may result in electric shock.
- **Risk of electric shock! DO NOT OPEN!** No user-serviceable parts inside.
- **NEVER modify this heater.** Doing so could result in personal injury or property damage. Modification of this fireplace completely voids all warranties.
- **ALWAYS** disconnect this unit from power supply before performing any assembly or cleaning, or before relocating the electric fireplace.
- **NEVER** leave this heater unattended. **ALWAYS** Turn off power by turning off the circuit breaker when heater is not in use.
- **ALWAYS** store this heater in a dry location. **NEVER** use the fireplace if it has become wet.
- **A minimum 15-Amp 120VAC circuit is required for this heater.** **NEVER** overload the circuit. If the heater trips the circuit breaker, unplug all other appliances on the same circuit before the next use. Avoid plugging other appliances into the same circuit as this heater.

**SAVE THESE INSTRUCTIONS**

**▲ Safety Alert Key:**

- **WARNING!** Indicates a hazardous situation which, if not avoided could result in death or serious injury.
- **CAUTION!** Indicates a hazardous situation which, if not avoided, could result in minor or moderate injury.

## Table of Contents

Congratulations! ..... 1

### 1 IMPORTANT INSTRUCTIONS

A. Warranty ..... 4

### 2 GENERAL INFORMATION

A. Appliance Certification ..... 5

B. Unpacking and Inspecting Appliance ..... 5

C. Model and Serial Number Information ..... 5

### 3 GETTING STARTED

A. Parts and Hardware ..... 6

B. Appliance Dimensions ..... 6

C. Tools and Supplies Needed ..... 6

D. Location ..... 7

E. Clearance to Combustibles ..... 7

F. Electrical Supply Circuit Requirements ..... 7

### 4 INSTALLATION

A. Framing Dimensions for Built-in Configurations ..... 9

B. Appliance Configuration ..... 9

C. Installation into Construction Framing ..... 10

D. Drywall Finishing ..... 11

E. Wall Mounted Configurations ..... 12

F. Electrical Connection / Installation ..... 12

G. Appliance Final Setup ..... 14

### 5 OPERATING INSTRUCTIONS

A. Manual Switch Function ..... 15

B. Operating by Remote Control ..... 16

C. Room Temperature and Thermostat Function ..... 17

D. Resetting Temperature Cutoff Switch ..... 17

### 6 MAINTENANCE

A. Maintenance ..... 18

B. Cleaning ..... 18

C. Servicing ..... 18

D. Troubleshooting Guide ..... 19

E. Service Parts List ..... 21

F. Contact Information ..... 23

## A. Warranty

## SimpliFire™ WARRANTY

Hearth & Home Technologies, on behalf of its brand SimpliFire ("SimpliFire"), extends the following warranty for electric fireplaces that were purchased from a SimpliFire authorized dealer.

### **WARRANTY COVERAGE:**

SimpliFire warrants to the original owner of the SimpliFire fireplace, and to any transferee taking ownership of the SimpliFire fireplace within 2 years following the date of original purchase, that the SimpliFire fireplace will be free from defects in materials and workmanship at the time of manufacture for a period of 2 years. If a SimpliFire fireplace is found to be defective in materials or workmanship during applicable warranty period, HHT will, at its option, repair or replace the SimpliFire fireplace. SimpliFire, at its own discretion, may fully discharge all of its obligations under such warranties by replacing the product itself or refunding the verified purchase price of the product itself. The maximum amount recoverable under this warranty is limited to the purchase price of the product. This warranty is subject to conditions, exclusions and limitations as described below.

### **WARRANTY PERIOD:**

Warranty coverage begins on the date of original purchase. In the case of new home construction, warranty coverage begins on the date of first occupancy of the dwelling or six months after the sale of the product by an independent, authorized SimpliFire dealer/ distributor, whichever occurs earlier. The warranty shall commence no later than 24 months following the date of product shipment from HHT, regardless of the installation or occupancy date.

### **WARRANTY CONDITIONS:**

This warranty only covers SimpliFire fireplaces that are purchased through a SimpliFire authorized dealer or distributor. A list of SimpliFire authorized dealers is available on the SimpliFire websites.

### **WARRANTY EXCLUSIONS:**

This warranty does not cover the following:

- Changes in surface finishes as a result of normal use. As a heating appliance, some changes in color of interior and exterior surface finishes may occur. This is not a flaw and is not covered under warranty.
- Damage to printed, plated, or enameled surfaces caused by fingerprints, accidents, misuse, scratches, melted items, or other external sources and residues left on the plated surfaces from the use of abrasive cleaners or polishes.
- Repair or replacement of parts that are subject to normal wear and tear during the warranty period. These parts include: paint, batteries and the discoloration of glass.
- Damages resulting from: (1) failure to install, operate, or maintain the appliance in accordance with the installation instructions, operating instructions, and listing agent identification label furnished with the appliance; (2) shipping or improper handling; (3) improper operation, abuse, misuse, continued operation with damaged, corroded or failed components, accident, or improperly/ incorrectly performed repairs; (4) environmental conditions (5) installation or use of components not supplied with the appliance or any other components not expressly authorized and approved by HHT; (6) modification of the appliance not expressly authorized and approved by HHT in writing; and/or (7) interruptions or fluctuations of electrical power supply to the appliance.
- Our obligation under this warranty does not extend to the SimpliFire fireplace's capability to heat the desired space.

### **This warranty is void if:**

- The fireplace is subject to or operated in atmospheres contaminated by chlorine, fluorine, or other damaging chemicals.
- The fireplace is subjected to or operated in places with prolonged periods of dampness or condensation or weather. Examples include but are not limited to outdoors, porches, and laundry rooms.
- There is any damage to the fireplace or other components due to water or weather damage.

### **LIMITATIONS OF LIABILITY:**

- The owner's exclusive remedy and SimpliFire's sole obligation under this warranty, under any other warranty, express or implied, or in contract, tort or otherwise, shall be limited to replacement, repair, or refund, as specified above. In no event will SimpliFire be liable for any incidental or consequential damages caused by defects in the appliance. Some states do not allow exclusions or limitation of incidental or consequential damages, so these limitations may not apply to you. This warranty gives you specific rights; you may also have other rights, which vary from state to state. EXCEPT TO THE EXTENT PROVIDED BY LAW, SIMPLIFIRE MAKES NO EXPRESS WARRANTIES OTHER THAN THE WARRANTY SPECIFIED HEREIN. THE DURATION OF ANY IMPLIED WARRANTY IS LIMITED TO DURATION OF THE EXPRESSED WARRANTY SPECIFIED ABOVE.

2040-645 4/20

# 2 GENERAL INFORMATION

## A. Appliance Certification

**MODELS:** SF-SCT43-BK, SF-SCT55-BK  
**LABORATORY:** CSA International  
**TYPE:** Electric Air-Heaters; Fixed and Location-Dedicated Electric Room Heaters  
**STANDARD:** CSA C22.2 No 46-13; UL 2021 (4<sup>th</sup> Edition)

**NOTICE:** This installation must conform with local codes.

### NOT INTENDED FOR USE AS A PRIMARY HEAT SOURCE.

This appliance is tested and approved as either supplemental room heat or as a decorative appliance. It should not be factored as primary heat in residential heating calculations.

**Note:** The device complies with Part 15 of the FCC Rules. Operation is subject to the following two conditions:

1. This device may not cause harmful interference, and
2. This device must accept any interference received, including interference that may cause undesired operation.

This equipment uses and can radiate radio frequency energy and, if not installed and used in accordance with the instructions, may cause harmful interference to radio or television reception, which can be determined by turning the equipment off and on. The user is encouraged to try to correct the interference by one or more of the following measures:

- Increase the separation between the equipment and the receiver.
- Connect the equipment into an outlet on a circuit different from that to which the receiver is connected.



**WARNING:** This product can expose you to Di-(2-ethylhexyl) phthalate, which is known to the State of California to cause cancer and reproductive harm. For more information go to: [www.P65Warnings.ca.gov](http://www.P65Warnings.ca.gov).

## B. Unpacking and Inspecting Appliance


**WARNING! DO NOT use this Electric Fireplace if any part has been under water.** Immediately call a qualified service technician to inspect and to replace any part of the electrical system if necessary. Keep plastic wrapping away from children.

- Carefully remove the appliance and components from the packaging. Discard packaging.
- Carefully inspect components for any damage.
- Reference parts list to verify all parts have been received.
- Read all the instructions before starting the installation. Follow these instructions carefully during the installation to ensure maximum safety and benefit.

## C. Model and Serial Number Information


The model and serial number information is located on the rating plate. The rating plate is located behind the glass on the top interior surface of the viewing area.

**ELECTRIC FIREPLACE**

MODEL	SF-SCT43-BK	 C US
VOLTAGE	120V AC	
FREQUENCY	60 Hz	
AMPERAGE	12.5 A	
WATTS	1500 W	
SERIAL No.:	_____	

Hearth & Home Technologies 600165  
MADE IN CHINA

**ELECTRIC FIREPLACE**

MODEL	SF-SCT55-BK	 C US
VOLTAGE	120V AC	
FREQUENCY	60 Hz	
AMPERAGE	12.5 A	
WATTS	1500 W	
SERIAL No.:	_____	

Hearth & Home Technologies 600165  
MADE IN CHINA

## Homeowner Reference Information

We recommend that you record the following pertinent information about your fireplace.

Model Name: \_\_\_\_\_ Date purchased/installed: \_\_\_\_\_

Serial Number: \_\_\_\_\_ Location on fireplace: \_\_\_\_\_

Dealership purchased from: \_\_\_\_\_ Dealer Phone: \_\_\_\_\_

Notes: \_\_\_\_\_

# 3 GETTING STARTED

## A. Parts and Hardware

Parts and Hardware List	
Part	Quantity
Appliance	1
Instruction Manual	1
Remote Control	1
AAA Battery	2
Small Crystal Stones - Clear	2 bags
Black Embers - SF-SCT43-BK	3 bags
Black Embers - SF-SCT55-BK	4 bags
Large Crystal Stones - SF-SCT43-BK	12
Large Crystal Stones - SF-SCT55-BK	16
Log set (12 per set) - SF-SCT43-BK	1
Log set (14 per set) - SF-SCT55-BK	1
2 in. (51 mm) Trim	6
1/2 in. (13 mm) Trim	6
Flat Side Plate (shipped on appliance)	2
Glass Bracket & Thumb Screw with rubber washer	2
ST 4*40 Screw (Appliance to Framing)	6
Power Cord	1

## C. Tools and Supplies Needed

Before beginning the installation be sure that the following tools and building supplies are available.

Tape measure

Gloves

Level

Square

Magnetic screwdriver, or electric screw gun with Phillips bit

Safety glasses

Drill

Type NM-B Wire Strain Relief

3/32 slotted head screwdriver/or equivalent

## B. Appliance Dimensions

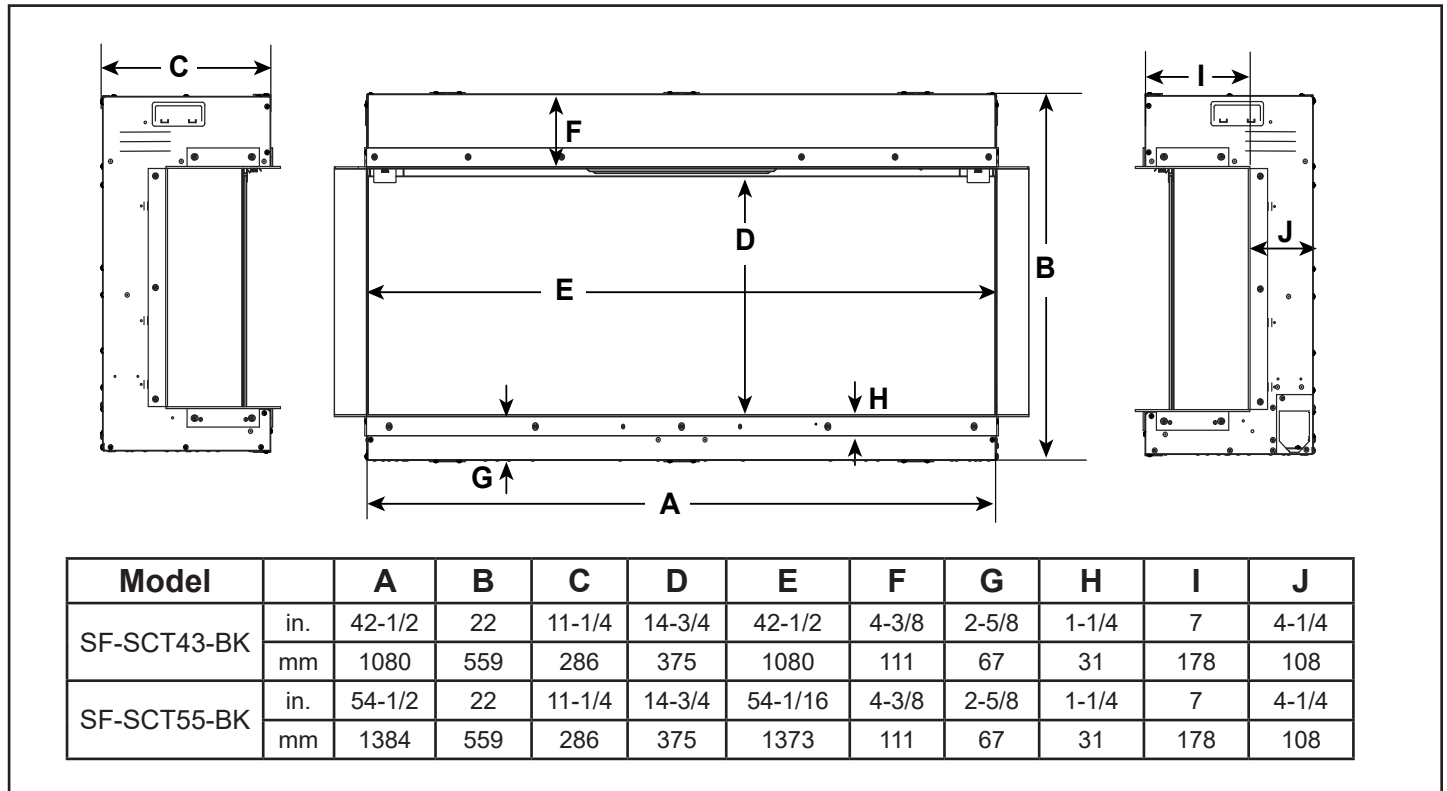


Figure 3.1 Appliance Dimensions

## D. Location

**Note:** If this unit is installed in a bathroom, it must be protected by GFI receptacle or circuit. If receptacle is used it must be readily accessible. This electrical appliance is not water tight. To prevent electrical shock, it must be installed as to prevent water from entering unit. It must be installed away from showers, tubs, or other water sources. Never locate the appliance where it may fall into a bathtub or other water container.

When choosing a location for your fireplace ensure that the following general rules are followed:

- For best results, install out of direct sunlight.
- Power supply service must be installed within proximity of electric fireplace prior to finishing to avoid reconstruction.
- See Figure 3.2 to determine location of appliance installation.

## E. Clearance to Combustibles

**See Section 4.A for framing dimensions.**

### Minimum Clearance to Combustible Construction

Sides.....	0 in.
Floor.....	0 in.
Top.....	0 in.
Back.....	0 in.
Front.....	36 in.
Mantel.....	0 in.
Mantel Depth.....	Unlimited.

See Figure 3.2.

**WARNING! Risk of Fire!** Keep electrical cords, drapery, furnishings or other combustibles at least 3 ft. (0.9 m) from the front of the electric fireplace, and away from the sides or rear.

## F. Electrical Supply Circuit Requirements

Plan the location of the appliance so that it will have adequate electric power. A minimum 15 AMP, 120V/60Hz circuit is required. Additional appliances on the same circuit as this appliance may exceed the current rating of that circuit. A dedicated circuit is not required, but is preferred to prevent circuit breaker trips or fuse failure.

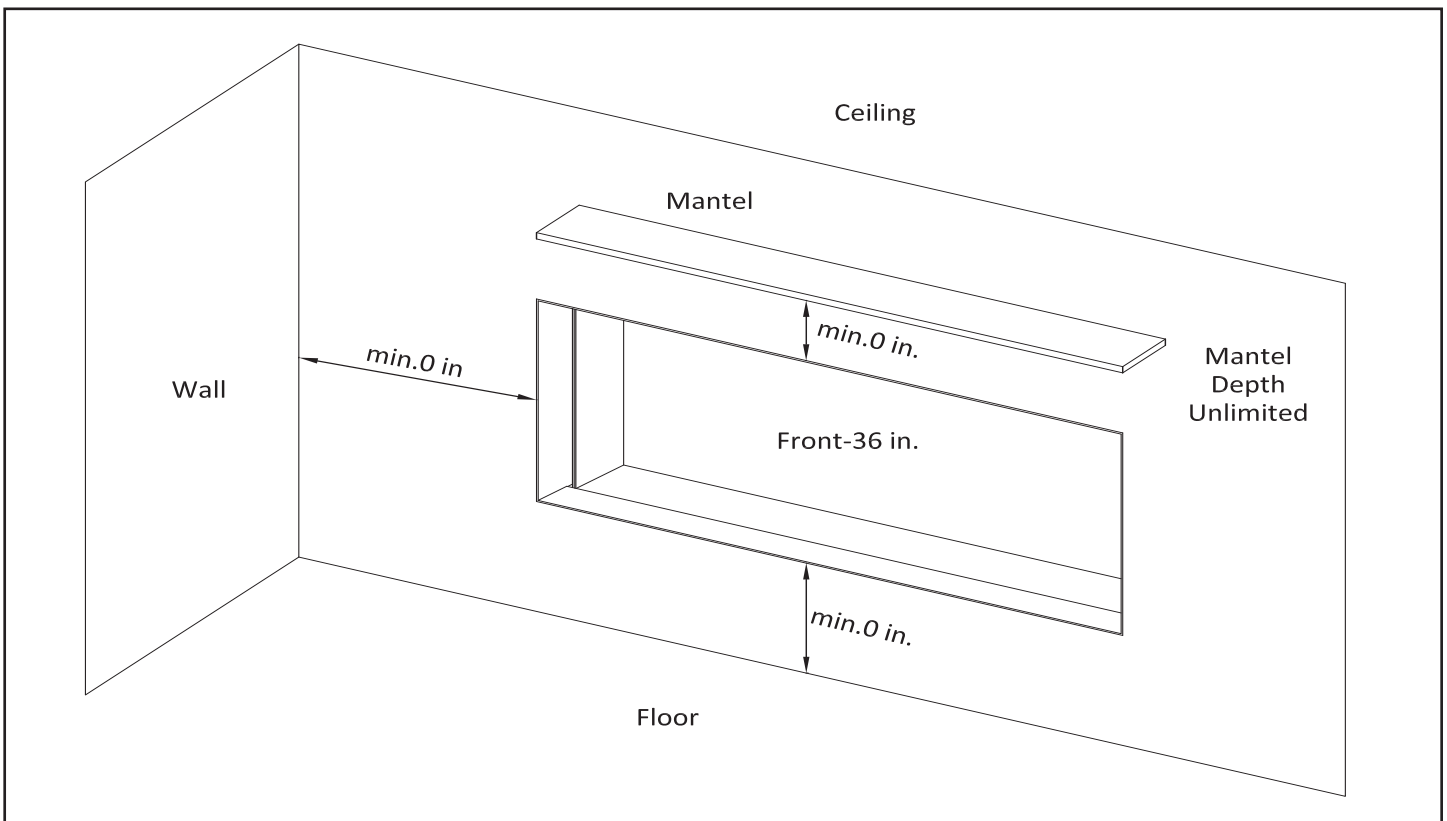


Figure 3.2 Location and Clearances Requirements



# 4 INSTALLATION

**WARNING! Risk of Personal Injury or Property Damage!** Failure to install the appliance as instructed below may result in damage to the equipment and or may expose the user to the risk of fire, serious injury, illness or death.

**NOTICE:** These instructions are not substitutes for the requirements of local building codes.

The appliance is designed for multiple installation options. It may be built into the wall, with standard framing, or it may be wall mounted with an optional wall mount kit and/or floating mantel kit.

This appliance is designed with multiple trimming options for Single-sided, 2-Sided, and 3-sided configurations. See Figure 4.1.

- 2-inch (51mm) Trim, 2-sided or 3-sided
- 1/2-inch (13mm) Trim, 2-sided or 3-sided.
- Flat Side Cover Plate, 2-sided Corner or Single-Sided.

When installed in a recessed opening on an exterior wall in cooler climates, a chase may be required by local building codes to accommodate insulation. The chase should be constructed in a manner of all outside walls of the home to prevent cold air drafting problems. The chase should not break the outside building envelop in any manner. Walls, ceiling, baseplate, and cantilever floor of the chase should be insulated. Vapor and air infiltration barriers should be installed in the chase as per regional codes for the rest of the home. Additionally, in regions where cold air infiltration may be an issue, the inside surfaces may be drywalled and taped (or equivalent method may be used) to achieve maximum air tightness.

**NOTICE:** Insulation and other loose materials must be secured to maintain the air clearance between the appliance and interior envelope of the wall opening. This will ensure that the appliance can circulate air to its room temperature sensor for maximum performance of the Thermostat function.

## Installation Options

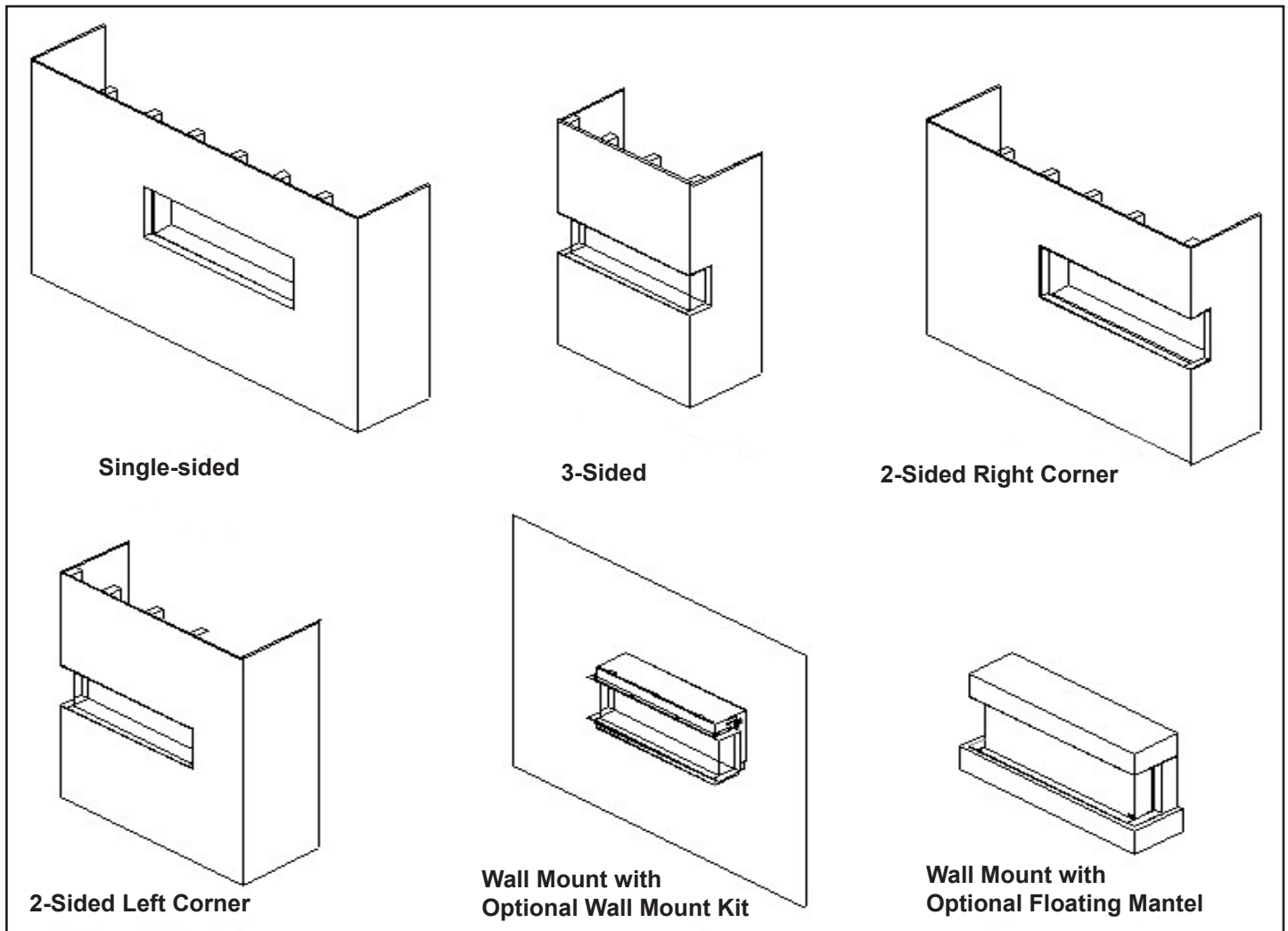


Figure 4.1 Installation Options



## A. Framing Dimensions for Built-in Configurations

**Note:** Framing dimensions need to be adjusted for thickness of chase interior wall sheathing, if applicable.

Model		Height	Width	Depth
SF-SCT43-BK	in.	22-1/4	42-3/4	11-1/2
	mm	565	1086	292
SF-SCT55-BK	in.	22-1/4	54-5/8	11-1/2
	mm	565	1387	292

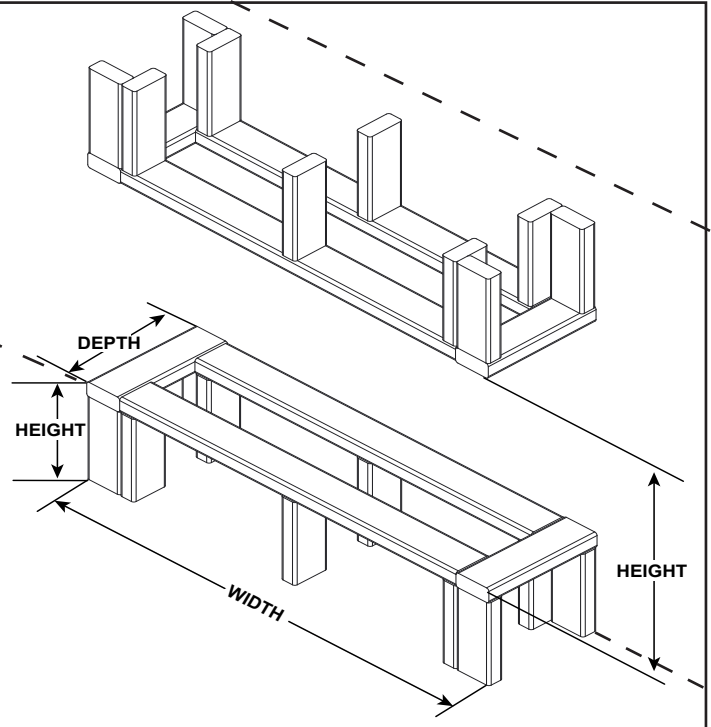


Figure 4.2 Framing Dimensions

## B. Appliance Configuration

Selecting side Trim

### 2-inch (51 mm) trim

The included 2-inch (51 mm) trim may be installed for 3-sided or 2-sided installations. The 2-inch (51 mm) trim is required for the optional wall mounted mantel installation.

The 2-inch (51 mm) trim is designed for use with a 2x4 (mm) framing and 1/2 inch (13 mm) wall sheathing.

### 1/2-inch (13 mm) trim

The included 1/2-inch (13 mm) trim may be installed for 3-sided or 2-sided installations. The 1/2-inch (13 mm) trim is designed for use with 1/2 inch (13 mm) wall sheathing

### Flat Side Cover Plate

The flat side cover plates come installed on the appliance for shipping protection. These must be left in place for single-sided applications or 2-sided installations on the side which will be covered by finishing material.

1. To install the appropriate trim for the desired configuration, if applicable, remove the the flat side cover plate from the side of the appliance by removing seven screws. See Figure 4.3.
2. Install the desired trim, 1/2-inch (13 mm) or 2-inch (51 mm), by securing the top and bottom pieces to the side with two screws each that were removed from the flat side cover plate. Attach the vertical trim with three screws. Note: The bottom trim has 4 holes. See Figure 4.3.

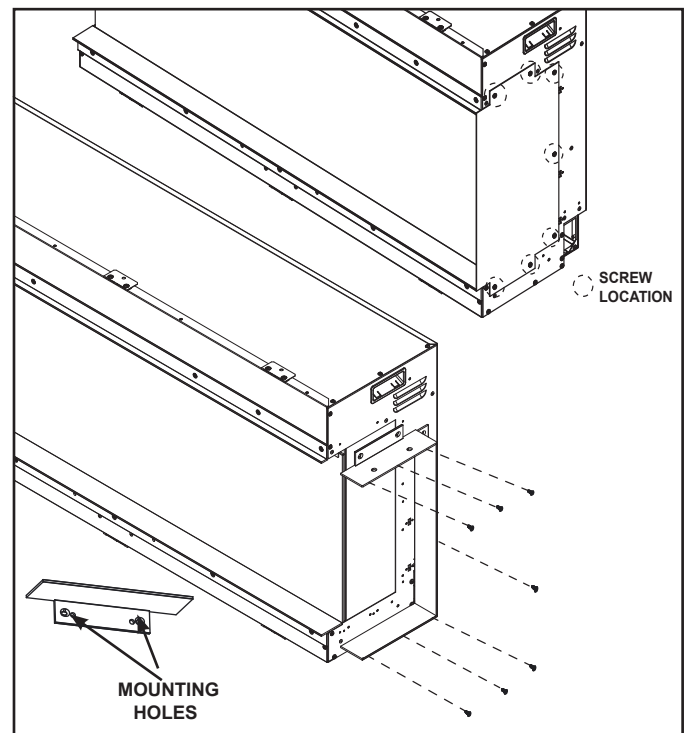


Figure 4.3 Plate Removal and Trim Install

## C. Installation into Construction Framing

1. Fold out the six mounting brackets. See Figure 4.4.
2. Connect to electrical service. Reference Section 4.F.
3. Install the appliance into the opening reference Figure 4.5. Ensure that weight of appliance is fully supported by floor or bottom framing member. Level with shims if necessary. Ensure that it is centered left to right, then fasten it directly to the framing with six (6) provided ST4\*40 screws, one through each of the six (6) brackets.

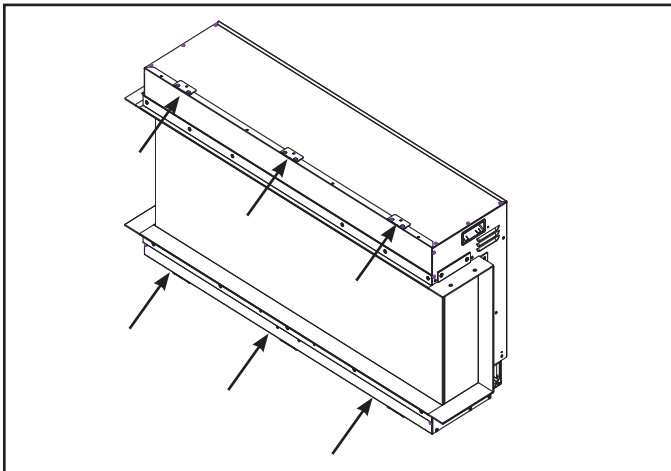


Figure 4.4 Mounting Brackets

## Framing and Finishing for 2-inch Trim Configuration

The included 2-inch (51 mm) side trim, is designed for use with a 2x4 framing and 1/2 inch (13 mm) wall sheathing.

Attach 2x4 framing members on the side of the framed appliance opening as shown in figure 4.5.

Secure side framing to the construction framing. Do not secure framing directly to the appliance. Finish with 1/2 inch (13 mm) wall sheathing.

If finishing with material other than 1/2 inch (13 mm) thickness make the appropriate adjustments to the framing material thickness to reach 2 inch (51 mm) overall framing and finishing material thickness on the appliance sides.

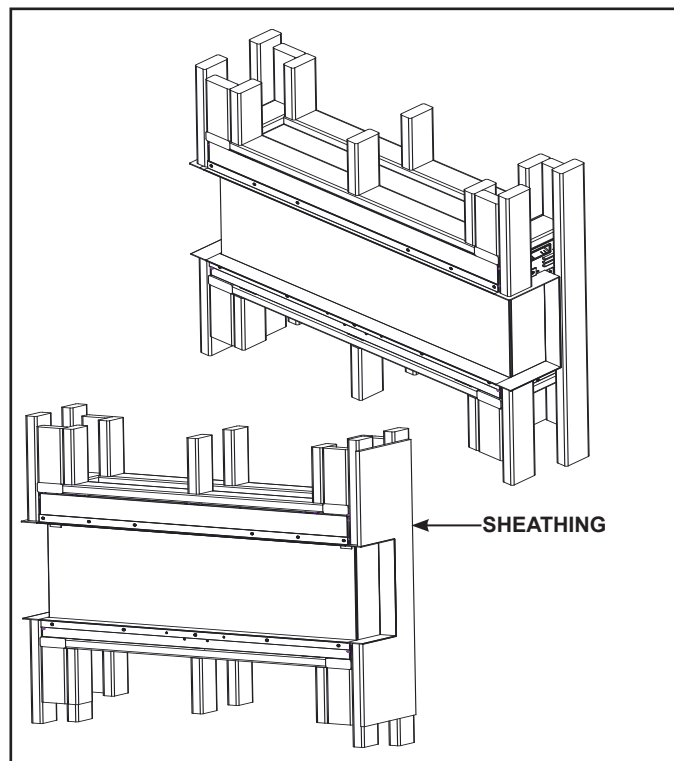


Figure 4.5 2 in. (51 mm) Side Trim Configuration

### Framing and Finishing for 1/2-inch trim configuration

The included 1/2-inch (13 mm) side trim, is designed for use with 1/2 inch (13 mm) wall sheathing as shown in Figure 4.6.

Secure the wall sheathing to the construction framing. Do not screw wall sheathing directly to the appliance.

If finishing with material other than 1/2 inch (13 mm) thickness, shimming may be required to obtain a flush finish to the side trim.

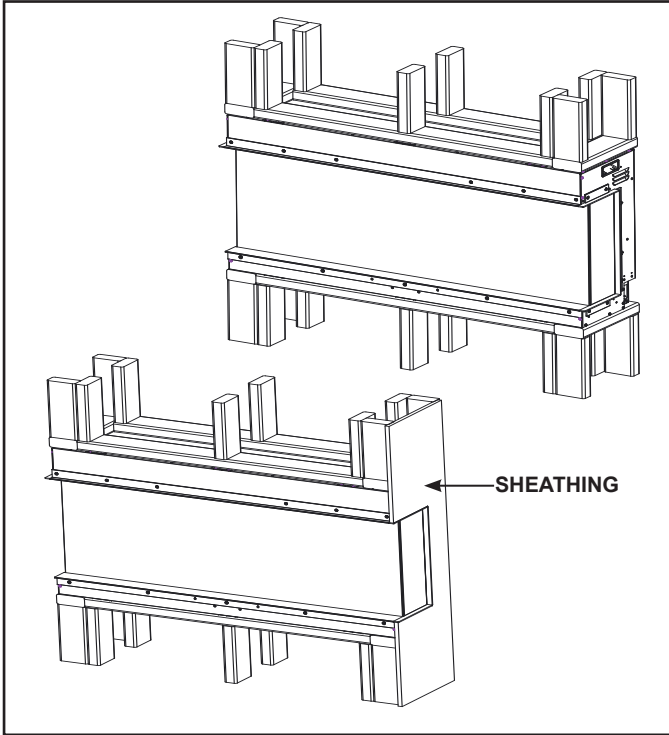


Figure 4.6 1/2 in. (13 mm) Side Trim Configuration

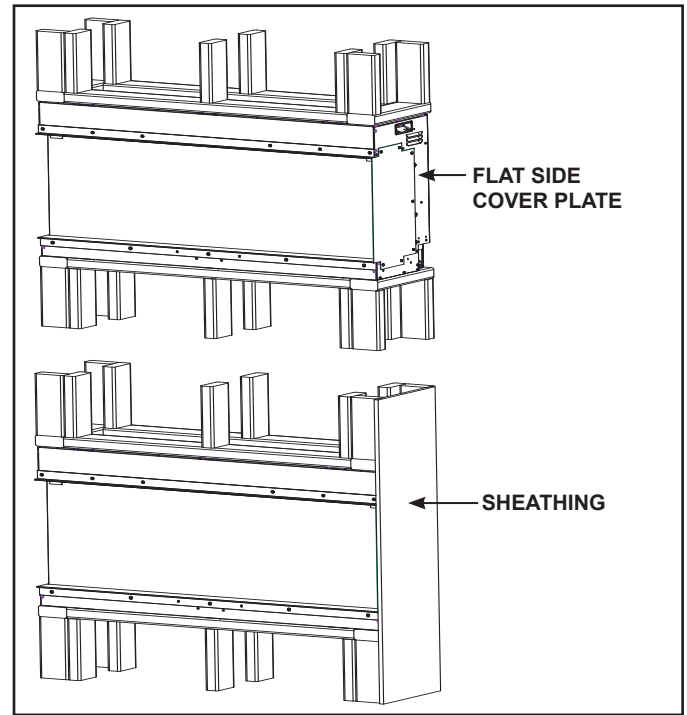


Figure 4.7 Flat Side Cover Plate

### 2-Sided Corner or Single-Sided Configuration and Finishing

For installation as 2-sided or single-sided, the included flat side plate shall be left in place on the side(s) intended to be covered with finishing material. Wall sheathing or other finishing material is to be installed covering the side of the appliance and flat side plate. Finishing and framing material should be fastened to the construction framing and not to the appliance. See Figure 4.7.

## D. Drywall Finishing

A corrugated splatter guard is included as a part of the packaging of the the Scion Trinity. This may be used to mask the viewing area during the finishing steps of the installation. See Figure 4.8.

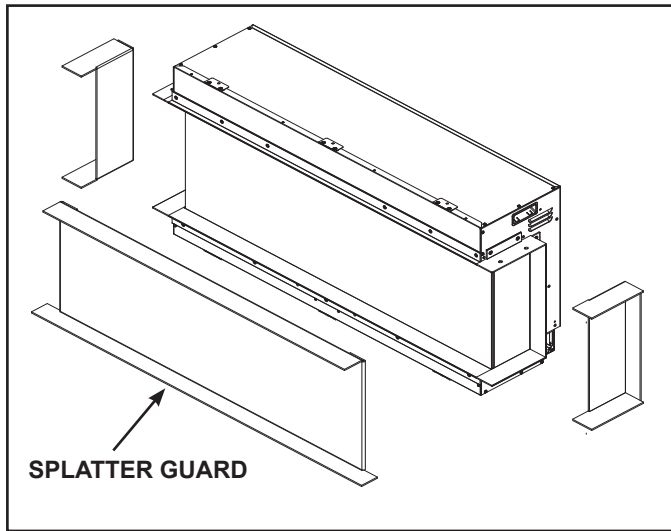


Figure 4.8 Splatter Guard

The Scion Trinity is designed to have a clean finish and does not have a fascia trim to cover any exposed drywall edges. It is recommended to use drywall edging materials to achieve a clean edge between drywall and appliance trim.

One example of this is shown in Figure 4.9 using a tear-away “L-Shaped” drywall bead, available at most hardware or builder’s supply stores.



Figure 4.9 Install Appliance

## E. Wall Mounted Configurations

The Scion Trinity may be installed with an optional wall mount kit. Wall mounting the appliance will allow for the installation of a floating style mantel or other custom built surround.

If wall mounting with a floating mantel without additional framing, the total weight in addition to the appliance including any mantel, finishing materials and setting objects shall not exceed 100 lbs (45Kg). See Figure 4.10.

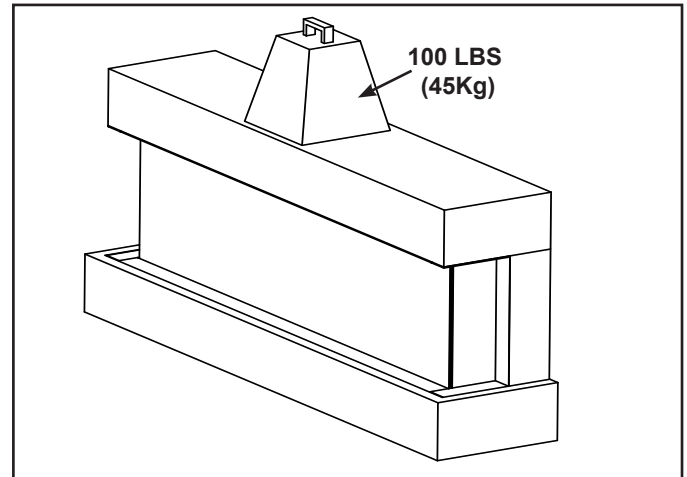


Figure 4.10 Wall Mount Weight Capacity (In Addition To Appliance Weight)

### Floating Mantel Kit

An optional floating mantel kit is available for wall mounted applications. Refer to the installation instructions included with the mantel kit for more information.

## F. Electrical Connection / Installation

**Note:** All wiring must be completed prior to finishing the unit.

All electrical connections shall be performed by a qualified electrician.

**WARNING! Risk of Fire, Electrical Shock and Injury!** Electrical wiring must comply with local building codes and other applicable regulations.

**WARNING! Risk of Shock!** Label all wires prior to disconnection when servicing the appliance. Wiring errors can cause improper and dangerous operation. Verify proper operation after servicing.

**Note:** The appliance must be connected and grounded in accordance with local codes and / or the current ANSI/NFPA 70 National Electric Code or CSA C22.1 Canadian Electrical Code.

This appliance has been designed to be hard-wired for 120V. A supplied plug-in kit is also available for wall mounted installations.

A minimum 15 AMP, 120V/60Hz circuit is required. Additional appliances on the same circuit as this appliance may exceed the current rating of that circuit. A dedicated circuit is not required, but is preferred to prevent circuit breaker trips or fuse failure.

### Hard Wire Installation:

1. Remove terminal block cover plate located on the right end of the appliance. Keep screws for reassembly.
2. Install a wire strain relief bushing into the cover plate.
3. Terminate type NM-B wire to the terminal block, ensure connections are secure, and tighten the strain relief. Use 3/32 slotted head screwdriver, or equivalent, to depress the spring-loaded terminals for the conductors.
4. Replace terminal block cover plate and retaining screws.

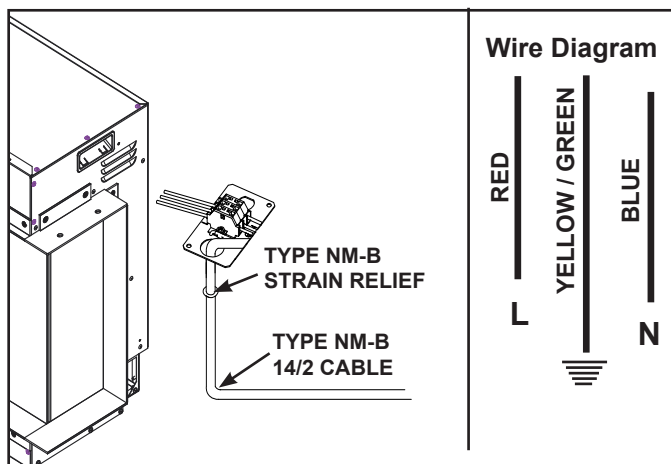


Figure 4.11 Wiring Diagram

### Power Cord Installation

The appliance power cord has a three pin NEMA-5-15P plug. The power cord should not be used unless a grounded receptacle is available.

1. Remove the terminal block cover plate located on the right end of the appliance by removing two screws. See Figure 4.12
2. Disconnect the terminal block from the three wires inside the appliance. Wires are released by disconnecting the three conductor wire connector. Discard the terminal block cover plate.
3. Connect the three conductor wire connector to the connector on the block supplied with the power cord kit. See Figure 4.12.
4. Replace cord kit terminal block cover plate and retaining screws. Plug cord into nearest outlet. Choose a location near an outlet so an extension cord is not required.

**WARNING! Risk of Fire, Electrical Shock and Injury!** Ensure the power cord is not installed so that it is pinched or against a sharp edge and ensure that the power cord is stored or secure to avoid tripping and snagging.

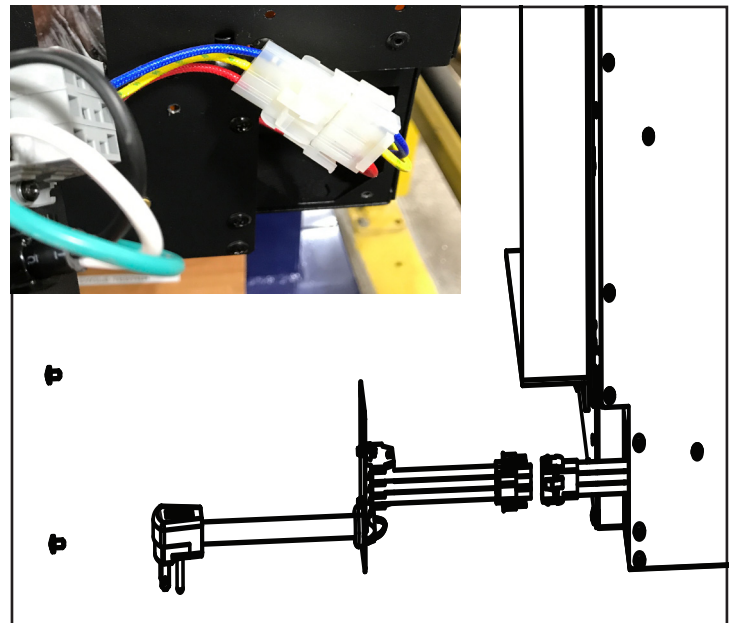


Figure 4.12 Power Cord Connection



## G. Appliance Final Setup

### Glass Removal:

Remove the two (2) ST5X8 thumb screws and retaining brackets. See Figure 4.16. Carefully remove glass panel. Set glass aside by placing one edge on a soft surface.

### Media Placement:

**Note:** There are no specific requirements for media installation. Crystal and log media are included, but not required. The placement instructions provided are the most popular configurations to display the included media.

### Clear Crystal Media Placement:

Carefully spread the small clear crystals across the ember bed. Then evenly arrange the large crystals on top of or within the small crystal media. See Figure 4.13.



Figure 4.13 Media Installation

### Log Media Placement:

1. Evenly spread the black embers and clear small crystals across the ember bed. The black embers provide a more realistic ember look with the logs. Clear crystals can be mixed in if desired. Adjustments can be made for your individual preference.
2. Place the smaller logs evenly spaced on the ember bed as shown in Figure 4.14.



Figure 4.14 Media and Small Logs Installation

3. Arrange the larger logs so that one end rests on top of a smaller log. Refer to Figure 4.15 as an example.



Figure 4.15 Larger Log Installation

### Glass Installation:

1. Set the bottom edge of glass into the glass channel and tip back into the appliance until it rests against the glass stops.
2. Thread the two (2) ST5X8 thumb screws into the threaded holes on the glass panel. Check the alignment of the glass panel and securely tighten the screws. See Figure 4.16.



Figure 4.16 Glass Removal and Installation



# 5 OPERATING INSTRUCTIONS

**WARNING! Risk of Fire, Electrical Shock, and Injury!**  
Do not operate the unit if it is damaged or has malfunctioned. If you suspect the unit is damaged, call a qualified service technician to inspect and replace any part of the electrical system if necessary.

## A. Manual Switch Function

The appliance can be operated by both remote control and manual button located on appliance. Once the circuit breaker is switched ON, the main power switch can be switched to the 'ON' position. A beep should be heard when the power is first applied. See Figure 5.1.

### Power Button

The Power button turns the power of the appliance 'ON or OFF'.

### Flame Button

By pressing the FLAME button, the unit will cycle through four flame effects.

### Heater Button

The HEATER button provides three heater functions. Press once and the heater will function on LOW. Press again and the heater will function on HIGH. Press again and the heater will turn OFF. There is an eight second delay for the heater to switch ON and OFF.

### Fuel Bed Button

The Ember Bed LED light button will turn on the LED lights and cycle through 14 color themes (13 colors and a color rotating option).

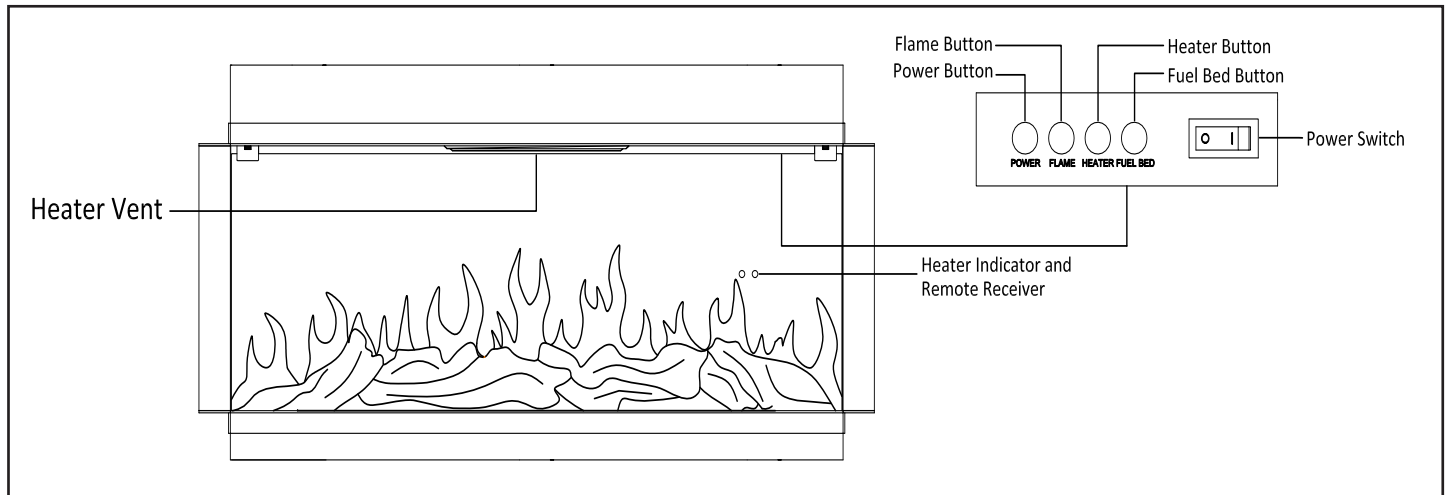



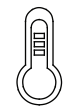




Figure 5.1 Manual Operating Switches and Indicator Lights

## B. Operating by Remote Control

- The appliance Main Power Switch must be in the “ON” position for the remote control to function.
- Make sure batteries are properly installed in Remote Control.
  - Battery requirements 2 x AAA batteries (included).
- The effective range of the remote is up to 16 ft.
- The remote control must be within the 16 ft. range and also be pointed directly at the face of the appliance. For best results, point the remote control toward the remote receiver location. See Figure 5.1.

ICON	TITLE	FUNCTION	REMOTE LCD DISPLAY	FIREPLACE RESPONSE
	POWER	The POWER button will turn the fireplace on. It will also put the fireplace in a standby mode. This will turn off all functions at once but will hold the settings in memory except Timer function. The unit will turn on at the same settings by pressing the power button again.	LCD illuminates and displays flame status Icon and temperature set point.	Fireplace emits single audible beep to confirm command to transition to ON or STANDBY state.
	FLAME	By pressing the FLAME button, the unit will cycle through four flame effects.	LCD illuminates and displays flame status icon.	Fireplace emits single audible beep to confirm command to transition between four FLAME states.
	HEATER	Press Heater button once, heater turns on LOW. Press Heater button twice, heater turns on HIGH. Press Heater button three times, heater turns off.	LCD illuminates and displays heater status icon.	Fireplace emits single audible beep to confirm command to transition between HEATER states. Fireplace displays one red LED for 10 seconds to confirm low heater command. Fireplace displays two red LED for eight (10) seconds to confirm high heater command.
	THERMOSTAT	Pressing the Temperature button adjusts the heaters response to the ambient temperature conditions in the room. Temperature adjusts from 16 °C - 28 °C (60 °F - 84 °F). Power button must be on to set °C to °F. Hold for 3 seconds and the LCD display from °C to °F.	Remote displays the temperature. If in Stand-by mode, temperature displays but cannot be adjusted. The thermostat function only works when heater is ON	Fireplace emits single audible beep to confirm command to change desired temperature set point.
	TIMER	Pressing the Timer button sets the time desired for the fireplace to run. The Timer can be set from .5 hour up to nine (9) hours in one (1) hour increments.	Remote will display the time setting selected. If in Stand-by mode time will display but cannot be adjusted.	
	FUEL BED	Pressing the Light button changes the ember bed colors (14 color themes available - 13 colors and a color rotating option), and turns it on/off.	No indicator.	

## C. Room Temperature and Thermostat Function

The temperature display on the remote control is a set point for the desired temperature of the room in which the appliance is installed. The Thermostat button on the remote can be used to set the desired room temperature. The heater will only operate if the remote control temperature set point is higher than the actual room temperature. The heater will not operate if the actual temperature is greater than the remote control temperature set point.

This function can also be used as a thermostat, under the following conditions:

- When the remote control display is set to a desired room temperature using the thermostat button, the appliance heater will turn OFF automatically when the room temperature reaches the set point.
- The heater will turn ON automatically if the room temperature falls below the set point.

**Note:** The actual room temperature is measured by a hidden sensor located behind the glass front of the appliance. During certain situations, this sensor temperature can be slightly different than either the remote control location, or the overall space being heated. For this reason, the remote control set point temperature may need to be set slightly higher or lower than expected room temperature for the heater function to work as desired.

## D. Resetting Temperature Cutoff Switch

The heater is protected with a safety device to prevent overheating. Should the heater overheat, an automatic cutoff will turn the heater OFF. It will not turn ON automatically without being reset. If it overheats for any reason, it can be reset by:

1. Turn appliance to OFF.
2. Shut-off power at the circuit breaker.
3. Let appliance cool for 15 minutes.
4. Turn on power at the circuit breaker.
5. Turn on appliance with manual switch or remote control.

**CAUTION:** *If you need to continuously reset the heater, contact your dealer for service.*

# 6 MAINTENANCE

---

## A. Maintenance

**WARNING! Risk of Shock!** Always remove power before moving or servicing. Do not immerse appliance in water.

- Before cleaning or servicing, always turn off appliance and remove power, by either unplugging from the wall outlet or shutting off circuit breaker.
- Light accumulated dust may be removed from the appliance exterior with a soft cloth or vacuum cleaner.
- Wipe the exterior surfaces of the appliance occasionally with a slightly damp micro fiber cloth using a solution of mild detergent and water. Dry thoroughly before operating the appliance.

**CAUTION!** Do not allow water to run into the interior of the appliance as this could create a fire or electric shock. Always remove power before moving or servicing.

- The fan motor is factory lubricated for life and will not require further lubrication.
- Store appliance in a clean dry place when not in use.

**WARNING! Risk of Fire!** To reduce risk of fire, do not store or use gasoline or any other flammable vapors or liquids in the vicinity of the appliance.

**WARNING! Risk of Electrical Shock!** Any other servicing needed must be performed by an authorized service technician. Do not attempt to service the unit yourself.

## B. Cleaning

### Glass

Dust particles can be removed by buffing lightly with a clean dry cloth. Fingerprints and other marks can be cleaned with a cloth dampened with a quality household glass cleaner. The glass should be completely dried with a lint free cloth or paper towel. Do not use abrasive cleaners on glass surface. Do not spray liquids directly onto any surface.

### Metal Surface

Dust particles can be removed by buffing lightly with a clean dry cloth. A damp cloth can be used to clean painted surfaces. Do not use abrasive cleaners or chemical household cleaners. Do not spray liquids directly on to any surface.

### Vents

Use a vacuum cleaner to remove dirt and dust from heater and vent areas.

## C. Servicing

Except for cleaning, an authorized service technician should perform any other service.

**WARNING! Risk of Electrical Shock! Do Not Open! No user serviceable parts inside.** Always turn heater off and disconnect power before performing maintenance, service, or removal from the framed wall opening.

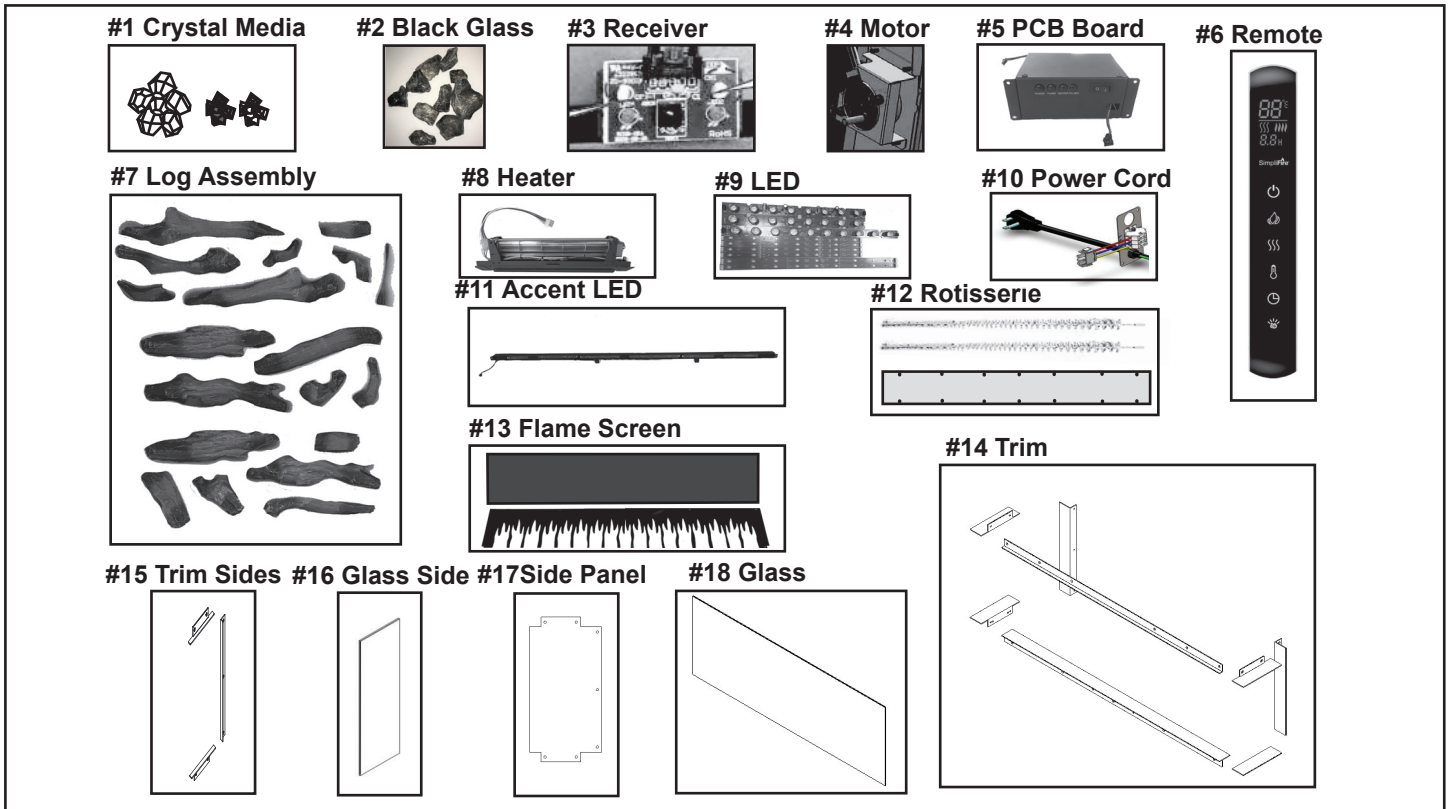
## D. SimpliFire Troubleshooting Guide

Symptom	Possible Cause	Corrective Action
Circuit breaker trips or fuse blows when unit is turned on	Exceeding current rating of the circuit breaker or fuse, perhaps from operating other appliances on the same circuit as the fireplace	Install unit onto a dedicated 15 amp circuit.
Lights in room dim while the unit is on	Unit is drawing close to circuit current rating	Install unit onto a dedicated 15 amp circuit.
Fireplace will not come on when using the manual controls on the unit	Appliance is not plugged into an electrical outlet	Ensure plug is connected to a working outlet.
	Hard-wire connections not correct (if applicable)	Review wiring instructions to ensure correct connection.
	No incoming power from the electrical outlet or electrical box	Check fuse/breaker panel.
	Defect in control board (PCB)	Replace the control board (PCB).
Remote control does not work	Low/dead batteries	Replace batteries in the remote.
	Remote receiver is blocked, or remote is not pointed directly at the receiver.	Ensure receiver is not blocked. Move closer to the appliance.
	Appliance power switch is in the off "O" position (if equipped)	Turn the power switch on, to the "I" position (if equipped).
	Control board (PCB) malfunction?	Replace control board (PCB).
Heater will not turn on, but flame is functioning	Remote is in thermostat mode and room temperature (temperature at appliance thermistor) is higher than the set point on the remote	Increase thermostat set point on the remote, or exit thermostat mode (press the thermostat button until no temperature set point is displayed on the remote). See "Room Temperature and Thermostat Function" section of the manual.
	Appliance has overheated and safety thermal switch has tripped	Unplug or turn off power at circuit breaker and allow it to cool for 15 minutes. Then plug in the unit or turn power back on at circuit breaker and turn unit back on.
	Defective main control board	Replace control board (PCB).
	Defective heater assembly	Replace heater assembly.
Heater shuts off automatically or won't stay on	Room temperature (temperature at the appliance thermistor) is higher than the set point on the remote	Increase thermostat set point on the remote, or exit thermostat mode (press the thermostat button until no temperature set point is displayed on the remote). See "Room Temperature and Thermostat Function" section of the manual.
	Appliance has overheated and safety thermal switch has tripped	Unplug or turn off power at circuit breaker and allow it to cool for 15 minutes. Then plug in the unit or turn power back on at circuit breaker and turn unit back on.
Heater emits an odor	Normal operation	It is normal for the heater to emit an odor for a brief amount of time after turning on. It is burning off dust that has accumulated on the heater.
Flame does not move at all	Flame rotisserie motor is stalled or malfunctioning	Cycle unit on or off. If problem persists inspect rotisserie and motor for blockage or interference. If no interference, replace the control board (PCB) and rotisserie motor.
Flame shudder	Flame rotisserie contacting other internal components when spinning	Ensure rod is straight and mounted properly and is spinning freely without spindles hitting other components.
	Defective flame rotisserie motor	Replace rotisserie motor.
Ember bed does not light up	Ember bed is turned off	Refer to operation section of the user manual.
	Loose wiring	Check wiring to ember bed LEDs.
	Defective control board (PCB)	Replace control board (PCB).
	Defective LED lights	Replace ember bed LED lights.

## SimpliFire Troubleshooting Guide (continued)

Symptom	Possible Cause	Corrective Action
Fireplace turns on by itself	Defective control board (PCB)	Replace control board (PCB).
	Similar infrared signal from another remote causing unit to turn on (pre-2019 manufactured units only)	Some TV remotes may cause the fireplace to turn on for appliances manufactured before 2019. Replace control board (PCB).
Excessive noise with heater on	Interference with fan blade	Inspect heater assembly and fan for obstructions or interference.
	Defective blower motor	Replace heater assembly.
Grinding or rubbing noise (when heater is off)	Rotisserie hitting or rubbing against internal components	Ensure rotisserie rod is straight and mounted properly and is spinning freely without spindles hitting other components. If sound is coming from friction with the rotisserie bracket, apply grease to contact point.



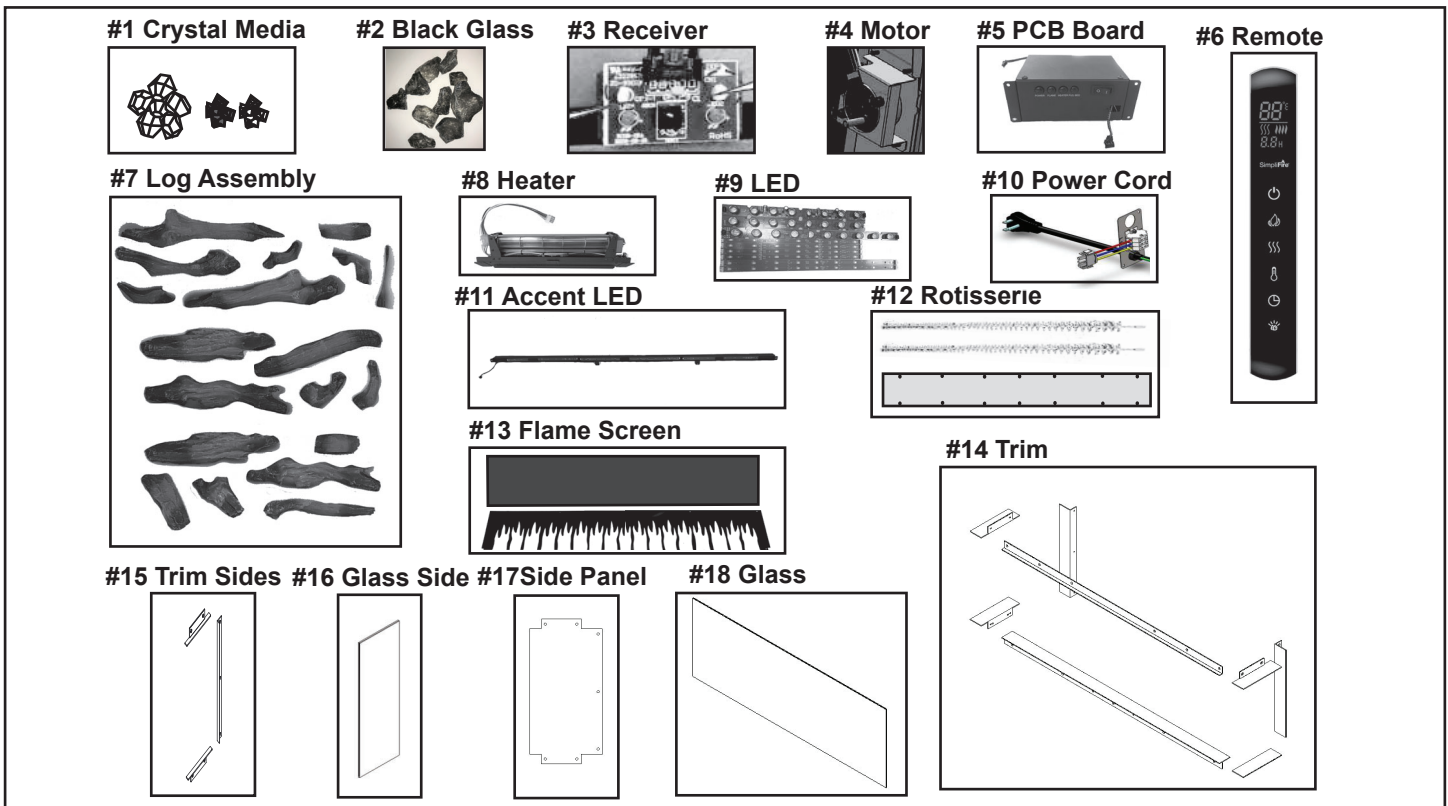


**IMPORTANT: THIS IS DATED INFORMATION.** Parts must be ordered from a dealer or distributor. **Hearth and Home Technologies does not sell directly to consumers.** Provide model number and serial number when requesting service parts from your dealer or distributor.



**Stocked at Depot**

ITEM	DESCRIPTION	COMMENTS	PART NUMBER	Stocked at Depot
1	Crystal Media (clear small, clear large, & black small)		CRYSTAL-SCION	
2	Black Glass Embers		EMBER-SCION	
3	Remote Receiver		RECEIV-ALLUS-E	Y
4	Allusion Motor	Qty 2 req	MOTOR-ALLUS	Y
5	PCB Board Assembly		PCB-SCT	Y
6	Remote		REMOT-ELECT-ALL	Y
7	Log Assembly		LOGS-SCION	Y
8	Heater Assembly	Heater & Fan	HEATER-SCT	Y
9	LED Assembly (emberbed & flame, accent LED not included)		LED-SC43	Y
10	Power Cord		PLUGIN-ALLP	Y
11	Accent LED		ACCENT-SCT43	Y
12	Rotisserie	Rods & Cover	ROTISS-SCT43	Y
13	Flame Screen		FLAME-SCT43	
14	2 Inch Trim (includes side, front top and bottom)	8 pcs	TRIM2-SCT43	
15	1/2 Inch Trim, Sides (for left and right sides)	6 pcs	TRIM1-SCT	
16	Glass, Side	Pkg of 2	SDGLASS-SCT	Y
17	Side Panel	Pkg of 2	SDPANEL-SCT	
18	Glass		GLA-SCT43	Y
	Mantle Brackets (includes hardware and brackets)		MANTELHW-SCT	



**IMPORTANT: THIS IS DATED INFORMATION.** Parts must be ordered from a dealer or distributor. **Hearth and Home Technologies does not sell directly to consumers.** Provide model number and serial number when requesting service parts from your dealer or distributor.



**Stocked at Depot**

ITEM	DESCRIPTION	COMMENTS	PART NUMBER	Stocked at Depot
1	Crystal Media (clear small, clear large, & black small)		CRYSTAL-SCION	
2	Black Glass Embers		EMBER-SCION	
3	Remote Receiver		RECEIV-ALLUS-E	Y
4	Allusion Motor	Qty 2 req	MOTOR-ALLUS	Y
5	PCB Board Assembly		PCB-SCT	Y
6	Remote		REMOT-ELECT-ALL	Y
7	Log Assembly		LOGS-SCION	Y
8	Heater Assembly	Heater & Fan	HEATER-SCT	Y
9	LED Assembly (emberbed & flame, accent LED not included)		LED-SC55	Y
10	Power Cord		PLUGIN-ALLP	Y
11	Accent LED		ACCENT-SCT55	Y
12	Rotisserie	Rods & Cover	ROTISS-SCT55	Y
13	Flame Screen		FLAME-SCT55	
14	2 Inch Trim (includes side, front top and bottom)	8 pcs	TRIM2-SCT55	
15	1/2 Inch Trim, Sides (for left and right sides)	6 pcs	TRIM1-SCT	
16	Glass, Side	Pkg of 2	SDGLASS-SCT	Y
17	Side Panel	Pkg of 2	SDPANEL-SCT	
18	Front Glass		GLA-SCT55	Y
	Mantle Brackets (includes hardware and brackets)		MANTELHW-SCT	

