

ASSEMBLY INSTRUCTIONS

Dear Valued Customer:

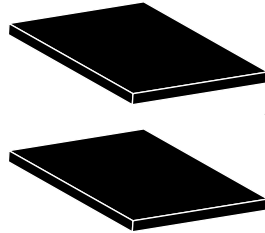
Thank you for purchasing this quality hearth accessory from Pilgrim Home & Hearth!

Please visit [www.pilgrimhearth.com](http://www.pilgrimhearth.com) to activate your warranty registration.

**STEP 1**

Insert part "C" into part "A" and part "D" by inserting ends into sleeves and pressing down. (fig. 1)

Upper Shelf x 2



**STEP 2**

Use the small Allen Head screws to secure part "C" to "A" and "D". (fig. 2)

**STEP 3**

Attach Part "B" into part "C" by inserting the ends of part "B" over the sleeves in part "C". (fig. 3)

Large Allen Screw x4

**STEP 4**

Insert both Upper Shelves by aligning edges of shelf to tabs and press down. (fig. 4)

Bottom Shelf x 1

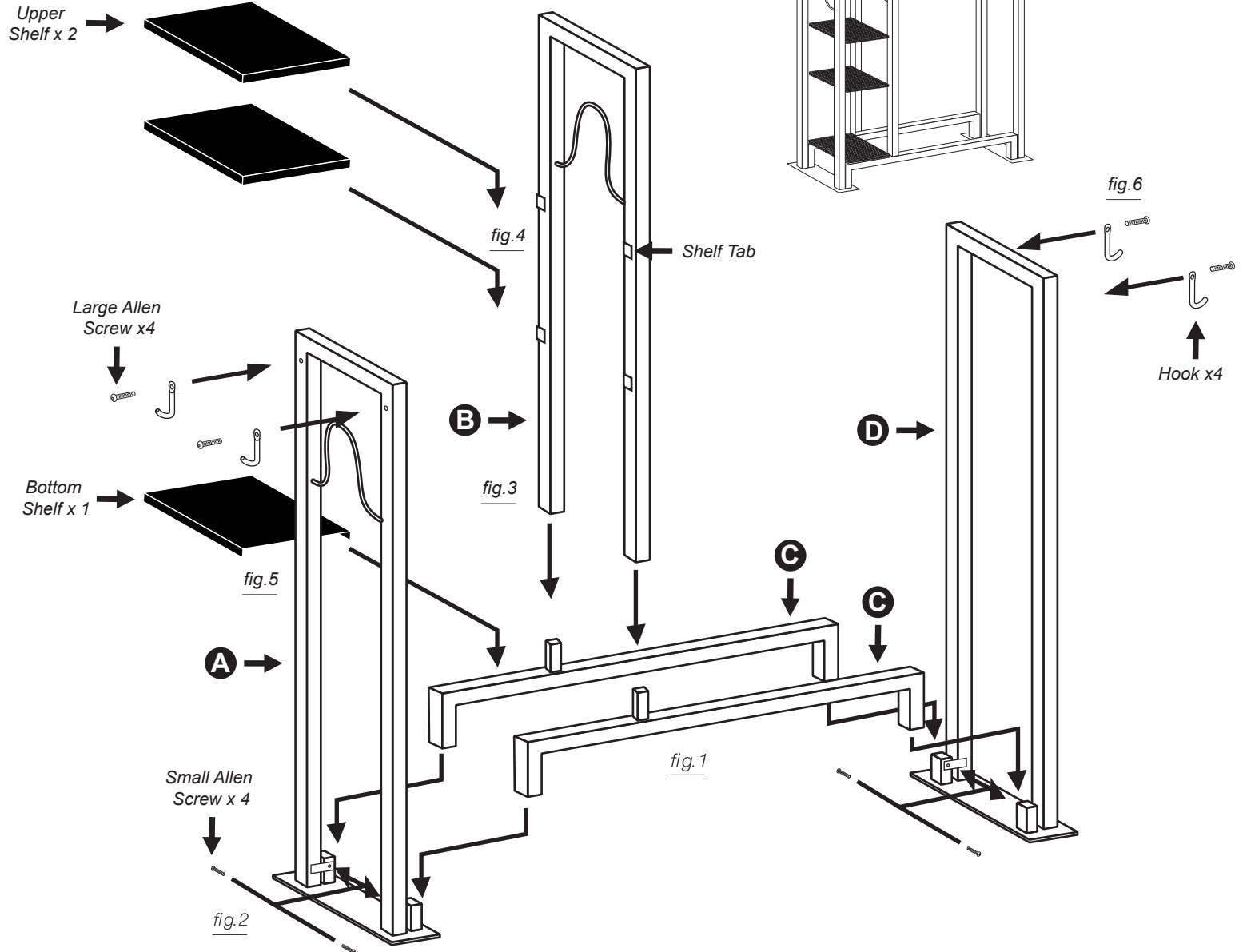
**STEP 5**

Insert Bottom Shelf by aligning corner of shelf to corners of parts "A" and "B" and press down. (fig. 5)

**STEP 6**

Use the Large Allen Screws and attach the Hooks on the ends of parts "A" and "D". (fig. 6)

Small Allen Screw x 4



**Utility Outdoor  
Wood Rack**

Item# 18565

3/2008

ASSEMBLY INSTRUCTIONS

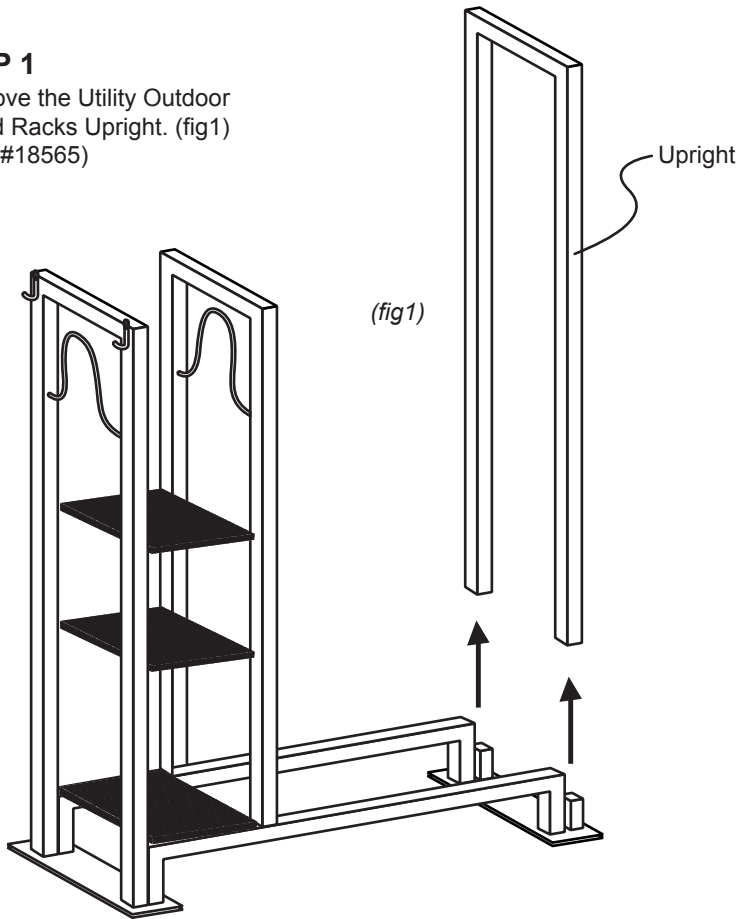
Dear Valued Customer:

Thank you for purchasing this quality hearth accessory from Pilgrim Home & Hearth!

Please visit [www.PilgrimHearth.com](http://www.PilgrimHearth.com) to activate your warranty registration.

**STEP 1**

Remove the Utility Outdoor  
Wood Racks Upright. (fig1)  
(Part #18565)

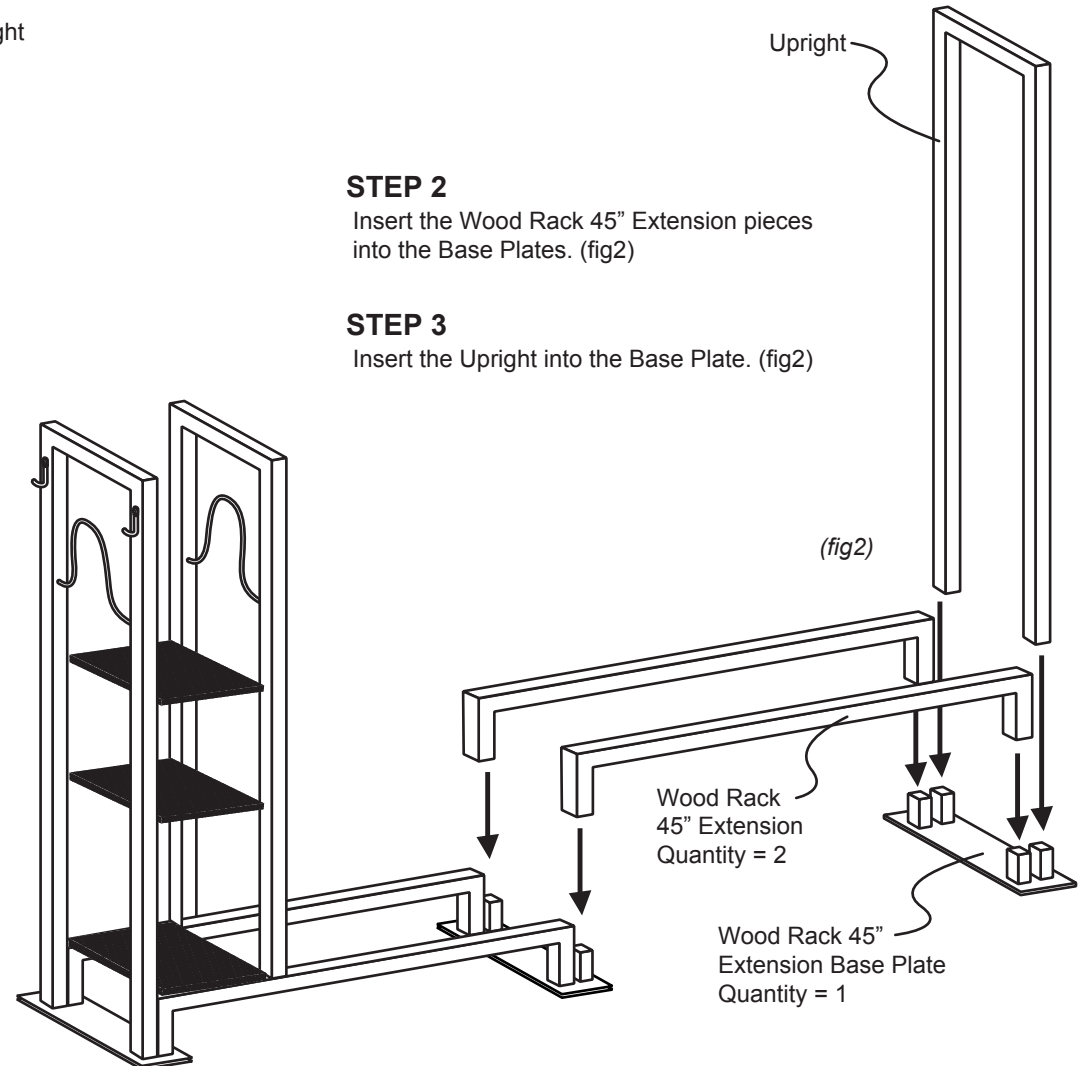


**STEP 2**

Insert the Wood Rack 45" Extension  
pieces into the Base Plates. (fig2)

**STEP 3**

Insert the Upright into the Base Plate. (fig2)



**Utility Outdoor  
Wood Rack 45" Extension**

Item# 18564