

ASSEMBLY INSTRUCTIONS

Dear Valued Customer:

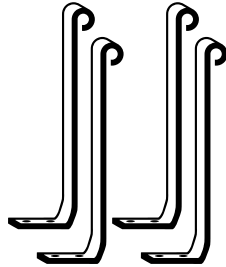
Thank you for purchasing this quality hearth accessory from Pilgrim Home & Hearth!

Please visit www.pilgrimhearth.com to activate your warranty registration.

CONTENTS:

This package contains the following pieces:

- (A) 4 Uprights
- (B) 2 Legs
- (C) 1 Pan
- (D) 4 3/4" Allen Bolts
- (E) 4 3/8" Allen Bolts
- (F) 1 Allen Wrench
- (G) 2 Cross Bars
- (H) 2 Cradles
- (I) 4 Tool Hooks
- (J) 4 1" Allen Bolts



UPRIGHTS (A)



LEGS (B)



PAN (C)



3/4" ALLEN BOLTS (D)



3/8" ALLEN BOLTS (E)



ALLEN WRENCH (F)



CROSS BARS (G)



CRADLES (H)

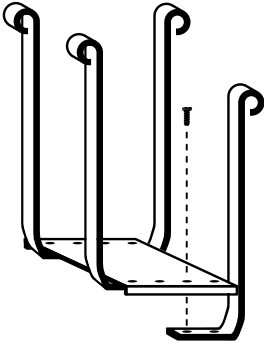


TOOL HOOKS (I)



1" ALLEN BOLTS (J)

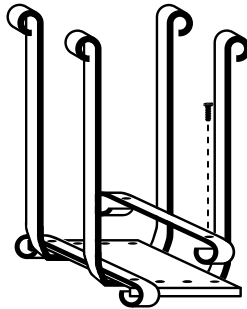
ASSEMBLY:



STEP 1

UPRIGHT ASSEMBLY

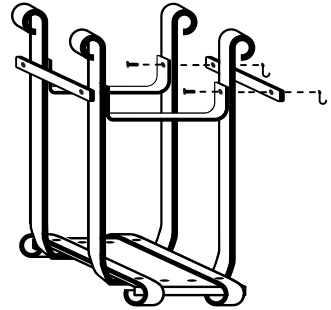
Take a (3/8") allen bolt (E), pass it thru the inside hole of pan (C), (pan lip down) and screw into upright (A). Do not tighten. Repeat for remaining 3 uprights.



STEP 2

LEG ASSEMBLY

Using a (3/4") allen bolt (D), pass bolt thru leg (B) and screw into upright (A). Repeat for other legs (B). Now align and tighten all 8 bolts.



STEP 3

CROSS BAR ASSEMBLY

Using a (1") allen bolt (J), pass it first thru cradle (H) upright (A) crossbar (G) and thread into the hook (I). Gently tighten. Repeat for other side.

Hearth Center

Item# 18515