



Treadmill

+ Bluetooth



EN - Manual.....	2	FR - Mode d'emploi	28
NL - Gebruiksaanwijzing	15	DE - Anleitung	41

Please ensure you read the User Manual and Safety Instructions carefully prior to operating this treadmill.

SAFETY INSTRUCTIONS

You should consult a physician before beginning any exercise program this is especially important if you are pregnant, sick injured or have a pre-existing medical condition.

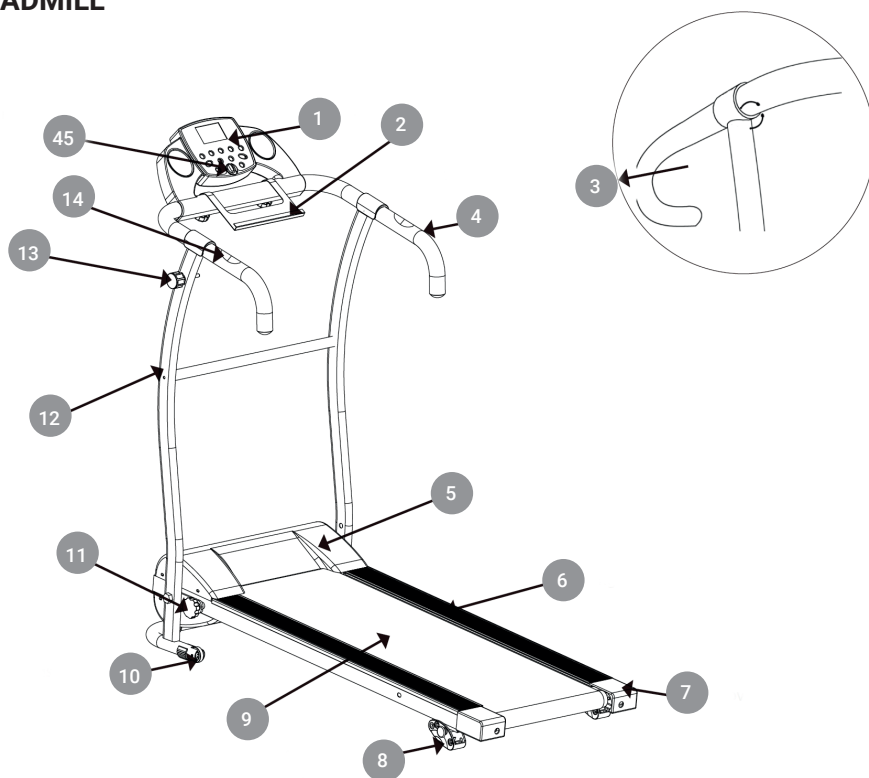
If whilst using the treadmill you feel dizzy, faint, short of breath or any pain STOP using the treadmill immediately and consult a physician.

When using electrical products, you should follow normal safety procedures, especially if there are children or pets around.

- Place the treadmill flat on the ground away from water and heat.
- Avoid placing the treadmill on thick carpet - it should be placed on a flat clean surface allowing air to circulate around it freely to avoid ove-heating the motor.
- To fold and unfold the treadmill, refer to the Folding Instructions section below.
- To turn on the treadmill, connect the power cord to the wall and turn on the red On/Off switch at the back of the treadmill and avoid sharing the power outlet with other electrical products.
- Grounding electrical equipment is important and reduces the risk of electrical shock. The electrical cord and plug provided with the treadmill are grounded therefore a grounded power outlet must be used to avoid injury.
- Always check the running belt alignment each time you use the treadmill -the running belt will move to one side with use - to align the running belt correctly and tighten it when it becomes sticky under foot and loose, refer to the Belt Alignment section in page10 . It's important you do this correctly to avoid injury.
- To start the treadmill, place the safety key on the yellow circle on the Control Pad and attach the clip to your clothing. Note, the treadmill will not start unless you place the safety key on the yellow circle.

- START the treadmill at the lowest speed and hold onto the handrests. Note, there should be a 3 second countdown before the running belt begins to move.
- In the event the treadmill malfunctions, PULL the safety key from the Control Pad – the treadmill will stop immediately, turn OFF the red power switch at the back of the treadmill, disconnect the power, and contact the customer care team for further instructions.
- Regular maintenance will prolong the life of your treadmill and prevent injury – refer to the Troubleshooting section in page12.
- Always use proper lifting techniques and/or assistance when lifting or moving the treadmill to avoid injury.
- Never leave the treadmill unattended or plugged in especially if there are young children around.
- Always turn the treadmill OFF at the wall and remove the plug when it's not in use – this applies when you are cleaning or moving the treadmill.
- The treadmill is not suitable for children under 14 years of age or for people with physical conditions unless supervised by an adult.
- The treadmill is designed for home use only and should only be used indoors in a clean dry area.

TREADMILL



- | | |
|----------------------------------|------------------------------|
| 1. Control Pad | 9. Running Belt |
| 2. iPad Holder | 10. Transport wheels |
| 3. Control Pad Sensor Wires | 11. Safety Lock |
| 4. Handrests | 12. Upper Frame |
| 5. Motor Cover | 13. Safety Lock (Expandable) |
| 6. Running Belt Safety Rails | 14. Hand Pulse |
| 7. Rear Cover | 15. Emergency Safety Key |
| 8. Manual Incline (three levels) | |

This product is not intended to be used by persons including children with reduced physical abilities unless supervised.

If the power cord is damaged, it must be replaced by the manufacturer, agent or a qualified person in order to avoid injury or damage.

**Android:**

Download your favorite application from the Google PlayStore.

iPad/iPhone:

Download your favorite application from the AppStore.

Check if your mobile device confirms the requirements for the application. The requirements of each application are shown in the Google PlayStore or AppStore.

GEBRUIK:

1. Turn on the Bluetooth function of your mobile device.
2. Open the application on your device.
3. Click on in the main menu on the button „Indoor “ to search for available devices.
4. Choose the show device from the list to pair it.

Once the device is paired you can start using the application in different categories:

Quick Run

Map Mode

Target Mode

Please understand that we are not able to offer you a complete operation guide of application inside this manual, as the app will be updated from time. This process can make changes to the operation or the design of the application.

Please refer to the instructions inside the specific app download store or contact us.



TECHNICAL SPECS

Product Dimensions (Unfolded)	126 x 60 x 120 cm	Motor Power	735 W
Product Dimensions (Folded)	120 x 60 x 68 cm	Rated Voltage/ Frequency	220-240 V 50 / 60 Hz
Max User Weight	110 kg	Machine Weight	24 kg
CE Certified			
LCD Display	Speed, Time, Distance, Calories, Pulse		

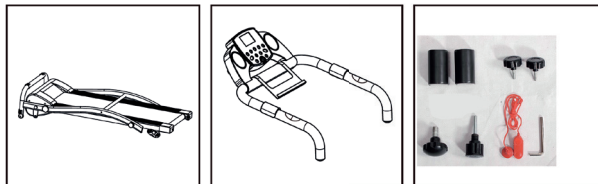
PRODUCT FEATURES

- Model: HSM-T09D5
- User Manual
- Handrests with padded foam
- Hand Pulse
- Running surface 100*34CM
- Speed range: 1-10KM/H
- 12 pre-set programs / 1 manual
- 4 Speed Quick Start Keys
- Fitshow APP
- iPad Holder
- 2 Water Bottle Holders
- Safety Key (emergency stop)
- Manual Incline(3 levels)
- Transport wheels
- Easy to Use Control Pad displaying Speed, Time, Distance, Calories, Pulse and Pre-set Programs

WHAT'S IN THE BOX

Remove the treadmill and other components from the packaging – save the packaging until you have fully assembled and tested the treadmill. Note, returns must be returned in the original packaging for safety reasons.

If any of the components are missing, damaged in transit or simply don't work, please contact the Customer Care team immediately for further instructions. Note, do not try to resolve any issues yourself as this could lead to further damage or injury.



Treadmill Frame

Handrests, Control Pad
and iPad Holder

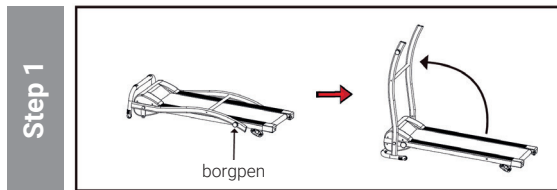
Tool Kit

TOOL KIT

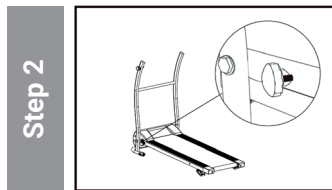
- Allen Key x 1
- Safety Key (emergency stop) x 1
- Decorative Handrest Cover x 2
- Safety Locks (to fold and unfold) x 2
- Control Pad Locks x 2

ASSEMBLY INSTRUCTIONS

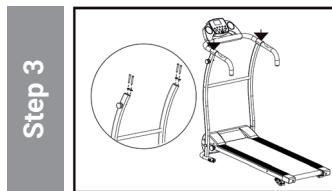
5 easy steps to assemble your treadmill then you're ready to workout.



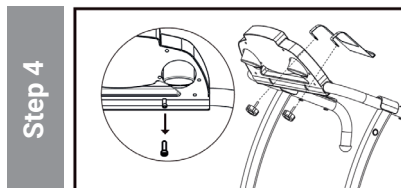
Place the Treadmill frame on the ground, pull the spring cotter to open the frame upright.



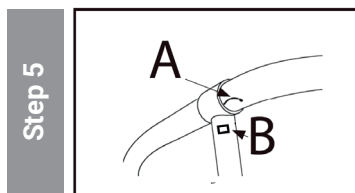
Screw the safety lock in place to keep the frame upright and secure.



Screw off bolts/washers on two stand columns, fix the handrests and Control Pad onto the stand columns, using the bolts/washers to fix and place the decorative covers over the bolts.



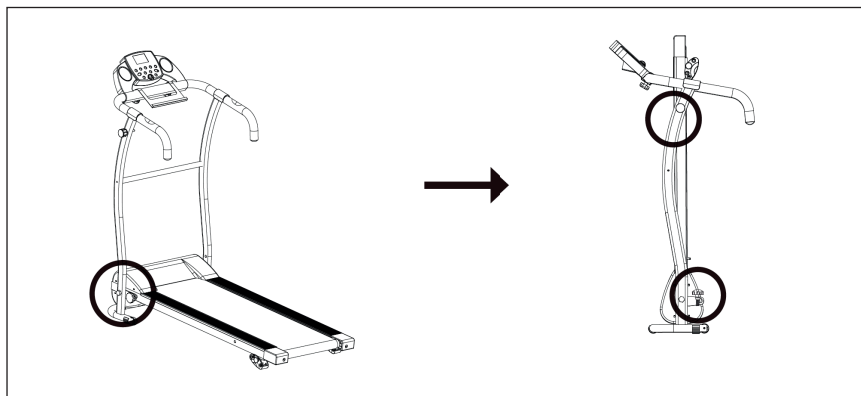
Screw off the small silver bolt on the back-side of control panel. Mounting the control panel Align the control panel and iPad Holder with two black screws, screwing in place tightly by hand. **WARNING** - Internal wire, do not rotate the control panel!



Connect the Control Pad signal cable (A) to the signal cable on the frame (B).

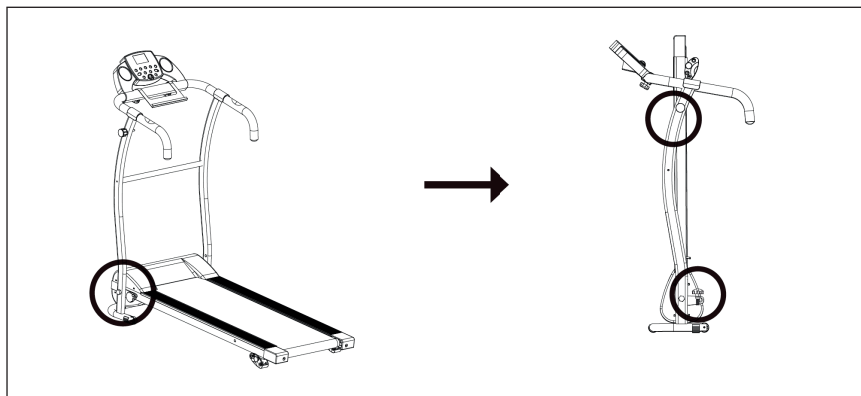
FOLDING INSTRUCTIONS

TO FOLD



After using, unscrew the safety lock on the bottom frame and place it in the safety lock holder, fold the treadmill and pull the spring cotter out from the upper frame and release to lock the treadmill in an upright position.

TO UNFOLD



Release the spring cotter and lower the bottom frame to the ground. Screw the safety lock to the bottom frame to lock the upper frame in an upright position.

OPERATING INSTRUCTIONS

EN



Safety key

To start the treadmill, the Safety Key must be attached to the Control Pad (yellow circle) and your clothing. Note, the treadmill will not start unless you do this.

You can STOP the treadmill at any time by pulling the Safety Key off the Control Pad – the treadmill will STOP immediately.

Starting the treadmill

Turn the power on at the wall and turn the red power switch on at the back of the treadmill and place the Safety Key on the Control Pad.

Now press the START key - the Control Pad will beep and the LCD display will light up – the treadmill is now in Standby Mode.

Now select the Manual Mode or a Pre-set Program by referring to the instructions below.

Selecting the PRE-SET programs

There are 12 pre-set programs for you to choose - refer to table below and the Charts on the Control Pad to determine the degree of difficulty for each program.

1. To select a pre-set program, keep pressing the PROG key to switch between programs.
1. Now change the TIME by using the Speed + and Speed - keys then press the START key to start the treadmill and a 3 second countdown will begin (Time range 5-99 minutes).

9

Note, a 3 second countdown will begin each time the program is ready to change speeds. During speed changes, hold onto the handlebars to ensure you won't fall off from the running belt and pull the Safety Key to stop the treadmill if you feel unstable or fall. Note, the speeds for the pre-set programs are fixed and cannot be changed.

The speed changes every time interval as per the table below (the time interval depends on the time you set)

Program	Speed (km/h) per segment																			
P1	2	3	3	4	5	3	4	5	5	3	4	5	4	4	4	2	3	3	5	3
P2	2	4	4	5	6	4	6	6	6	4	5	6	4	4	4	2	2	5	4	2
P3	2	4	4	6	6	4	7	7	7	4	7	7	4	4	4	2	4	5	3	2
P4	3	5	5	6	7	7	5	7	7	8	8	5	9	5	5	6	6	4	4	3
P5	2	4	4	5	6	7	7	5	6	7	8	8	5	4	4	6	5	5	4	2
P6	2	4	3	4	5	4	8	7	5	7	8	3	6	4	4	2	5	4	3	2
P7	2	3	3	3	4	5	3	4	5	3	4	5	3	3	3	6	6	5	3	3
P8	2	3	3	6	7	7	4	6	7	4	4	4	6	7	4	4	4	2	3	2
P9	2	4	4	7	7	4	7	8	4	8	9	9	4	4	4	5	6	3	3	2
P10	2	4	5	6	7	5	4	6	8	8	6	6	5	4	4	2	4	4	3	3
P11	3	4	5	9	5	9	5	5	5	9	9	5	5	5	9	9	8	7	6	3
P12	2	5	8	10	7	7	10	10	7	7	10	10	6	6	9	9	5	5	4	3

Manual Mode

To select the Manual Mode, press the MODE key.

Use the Speed + and Speed - keys to change the default TIME or DISTANCE.

Now press the START key and a 3 second countdown will begin.

To change the speed, use the Quick Start Speed keys or the Speed + and Speed - keys.

Stopping the treadmill

To stop the treadmill at any time, simply press the STOP key or remove the Safety Key from the Control Pad.

Turning off the treadmill

When you are finished, press the STOP key, turn the red power switch OFF at the back of the treadmill, turn the power OFF at the wall, and remove the plug from the wall.

Refer to the Maintenance section for more information on how to maintain your treadmill.



RUNNING BOARD/BELT MAINTENANCE

RUNNING BOARD/BELT MAINTENANCE

The treadmill running belt has been pre-lubricated prior to leaving the factory. With use the running belt will move to the left or right and become loose. In order to protect your investment and prolong the life of your treadmill it's important to know how to lubricate, tighten and align the running belt correctly. For this reason, refer to the instructions below.

RUNNING BOARD/BELT LUBRICATION

Lubricating under the running belt will ensure superior performance and extend its life expectancy. After the first 25 hours of use (or 2-3 months) apply some lubricant, and repeat for every following 50 hours of use (or 5-8 months).

How to check running belt for proper lubrication

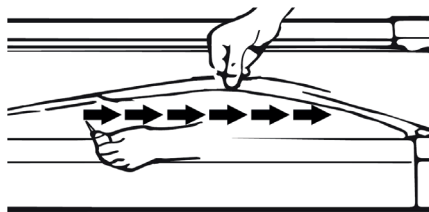
Lift one side of the running belt and feel the top surface of the running deck. If the surface is slick to the touch, then no further lubrication is required. If the surface is dry to the touch, apply some lubricant.

How to apply lubricant

Lift one side of running belt.

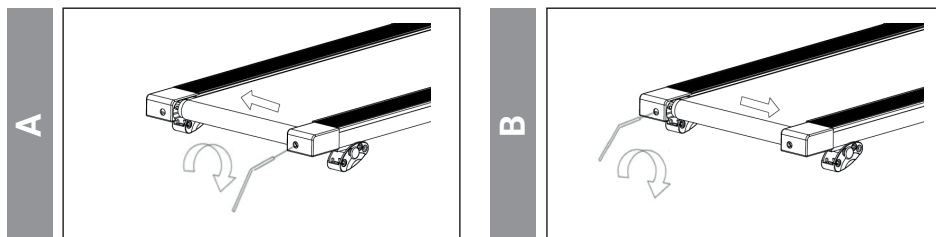
Pour some lubricant under the centre of the running belt on the top surface of the running deck. Run on the treadmill at a slow speed for 3 to 5 minutes to evenly distribute lubricant.

NOTE: DO NOT over lubricate running deck. Any excess lubricant that comes out should be wiped off.



RUNNING BELT ALIGNMENT

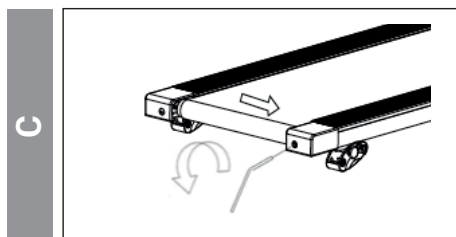
We strongly recommend you check the alignment of the running belt when you take it out of the box to ensure it has moved during transit and before or after each workout to avoid injury. Adjust the left and right sides at the same time to keep the running belt tight and centered.



ADJUST A LOOSE RUNNING BELT

With use, the running belt will become loose. A simple way to check if the running belt is loose is if it will bunch up in the middle of the belt. If you are running on the belt and it feels unstable (wobbly) or your feet are sticking to the belt, STOP the treadmill immediately and tighten the belt to avoid injury.

1. Place the treadmill on a flat level surface.
2. To adjust the tightness of the belt, STOP the treadmill.
3. Use the Allen key provided and turn the end cap screw a $\frac{1}{4}$ turn clockwise - see illustration C.
4. START the treadmill on a medium speed - check the belt is centered, if not keep turning the screw a $\frac{1}{4}$ turn clockwise at a time until the belt is centered.





MAINTENANCE

EN

Regular maintenance will prolong the life of your treadmill and prevent injury. We strongly recommend that you do the following on a regular basis -

1. Remove the power cord from the wall after use, especially if children are around.
2. It's especially important to keep the running belt, safety side rails and the floor under the belt clean and free of dust and dirt to avoid increased wear and tear and possible damage to the treadmill.
3. Clean the treadmill after use with a dry cloth to clean the Control Pad and areas around the Power Switch - use a soft cloth and cleanser to remove stubborn stains and dirt off the Running Belt.
4. Check the running belt alignment each time before you use the treadmill (it will move with use) - refer to the Adjusting the Running Belt section above.
5. Keep the running belt lubricated - refer to the Running Belt Maintenance section.
6. Keep the treadmill in a safe dry place away from heat and water.



13



TROUBLESHOOTING

We raden u ten eerste aan de uitlijning van de band te controleren wanneer u het apparaat uit de verpakking haalt, omdat de band mogelijk is verschoven tijdens het transport. Controleer de uitlijning ook voor of na elk gebruik.

Stel de band altijd zowel links als rechts af om deze goed strak en in het midden te houden.

REF	PROBLEM	SOLUTION
1	THERE IS NO DISPLAY ON THE CONTROL PAD.	Check the power outlet and the switch at the back of the treadmill are turned ON. Check the Control Pad sensor wires are connected to the frame (A) and (B) - refer to the Assembly instructions above. Place the Safety Key magnet on the yellow circle on the Control Pad and attach the safety cord to your clothing. Press the START key on the Control Pad - the running belt should move after 3 seconds. If there is no change, try a different power outlet. Note, the Control Pad will automatically turn off when not in use. Failing this, call Customer Care.
2	THERE IS NO DISPLAY ON THE CONTROL PAD.	Check the voltage - it could be too low. Try a different power outlet. Check the Safety Key is attached to the Control Pad. If there is no change, call Customer Care.
3	THE RUNNING BELT IS LOOSE.	Refer to the Running Belt Maintenance section above. Refer to the how to video on the Salus Sports website. If there is no change, call Customer Care.
4	THE RUNNING BELT HAS MOVED TO THE RIGHT OR LEFT.	Refer to the Running Belt Maintenance section above. Refer to the how to video on the Salus Sports website. If there is no change, call Customer Care.
5	THE ANTI-STATIC AGENT HAS WORN OFF	Lubricate the treadmill after approximately 80 hours of use or try the test of rubbing your hand between the board and the belt to see if it is dry. Refer to the Running Belt Maintenance section above. Refer to the how to video on the Salus Sports website. If there is no change, call Customer Care.



Lees de gebruiksaanwijzing en veiligheidsinstructies zorgvuldig door voordat u de loopband gebruikt.

NL

VEILIGHEIDSINSTRUCTIES

Raadpleeg een arts voordat u begint met een trainingsprogramma. Dit geldt met name voor zwangere vrouwen, zieken en personen met een zwakke gezondheid.

Als u tijdens het gebruik van de loopband last krijgt van duizeligheid, kortademigheid of pijn, moet u onmiddellijk STOPPEN met het gebruik van het apparaat en een arts raadplegen.

Houd u bij het gebruik van elektrische apparaten altijd aan de gebruikelijke veiligheidsvoorschriften, vooral met betrekking tot kinderen en huisdieren.

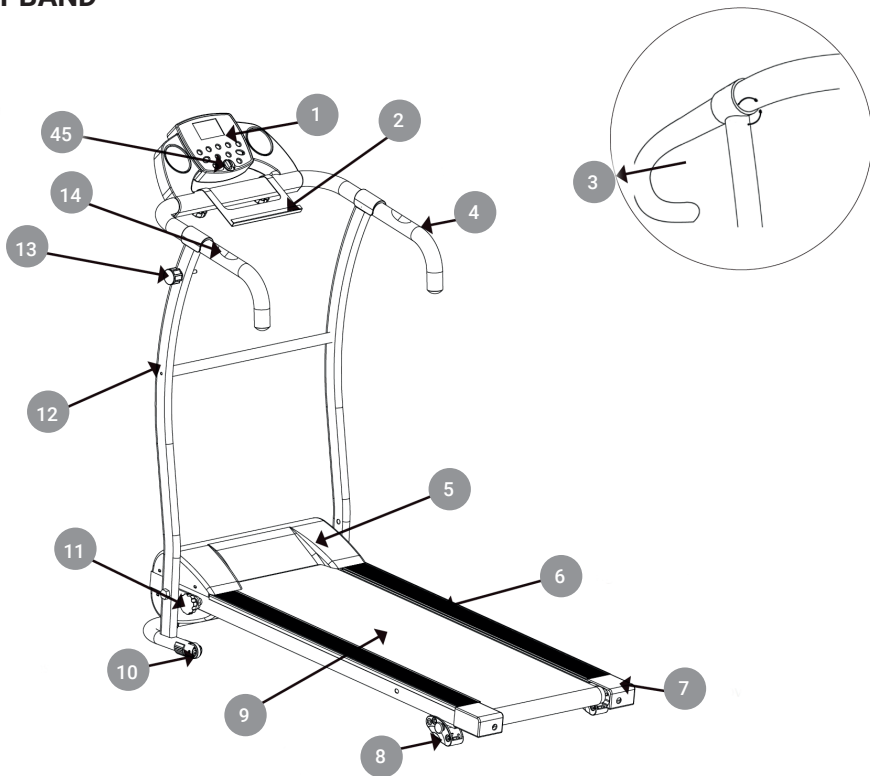
- Zet de loopband op een vlakke ondergrond, uit de buurt van water en warmtebronnen.
- Zet de loopband niet op te dikke vloerbedekking. Het apparaat moet op een gladde ondergrond staan, zodat er een goede luchtcirculatie mogelijk is en de motor niet oververhit kan raken.
- Raadpleeg het gedeelte In- en uitklappen hieronder voor instructies voor het in- en uitklappen van de loopband.
- Zet de loopband aan door de stekker in het stopcontact te stekken en op de rode aan-uitschakelaar aan de achterzijde te drukken. Sluit geen andere elektrische apparaten aan op hetzelfde stopcontact.
- Gebruik een geaard stopcontact om het risico van een elektrische schok te voorkomen.
- Controleer altijd de uitlijning van de loopband voordat u het apparaat gebruikt, want de band kan opzijschuiven bij gebruik. Raadpleeg het gedeelte Band afstellen op pagina 10 voor informatie over het uitlijnen en op spanning brengen van de band als die te los zit. Zorg dat u dit op de juiste manier doet, om letsel te voorkomen.

15

- Start de loopband door de magneet van het noodstopkoord in de gele cirkel op het bedieningspaneel te plaatsen en de clip aan uw kleren te bevestigen. Let op: De loopband start niet totdat u de magneet op de cirkel plaatst.
- START de loopband op de laagste snelheid en houd de handgrepen vast. Let op: Er wordt gedurende 3 seconden afgeteld voordat de loopband begint te bewegen.
- Als de loopband niet goed werkt, trekt u het noodstopkoord van het bedieningspaneel om de loopband onmiddellijk te laten stoppen. Zet het apparaat uit met de aan-uitschakelaar aan de achterzijde, haal de stekker uit het stopcontact en neem contact op met de klantenservice.
- Regelmatig onderhoud is noodzakelijk voor het verlengen van de levensduur van de loopband en het voorkomen van letsel. Raadpleeg het gedeelte Problemen / storingen oplossen op pagina 12.
- Zorg dat u de loopband altijd op de juiste manier tilt. Vraag indien nodig iemand om hulp bij het tillen of verplaatsen van de loopband, om letsel te voorkomen.
- Laat de loopband niet onbeheerd achter met de stekker in het stopcontact, met name wanneer er jonge kinderen in de buurt zijn.
- Zet de loopband altijd UIT met de aan-uitschakelaar en haal de stekker uit het stopcontact wanneer u het apparaat niet gebruikt. Doe dit ook wanneer u de loopband schoonmaakt of verplaatst.
- De loopband is niet bedoeld om zonder toezicht te worden gebruikt door kinderen jonger dan 14 jaar en personen met een lichamelijke beperking.
- De loopband is alleen bedoeld voor gebruik thuis en op een schone, droge

LOOPBAND

NL



- | | |
|---------------------------------------|---------------------------|
| 1. Bedieningspaneel | 9. Loopband |
| 2. iPad-houder | 10. Wieltjes |
| 3. Sensorkabels bedieningspaneel | 11. Vergrendeling |
| 4. Handgrepen | 12. Bovenkant frame |
| 5. Motorbehuizing | 13. Borgpen (uittrekbaar) |
| 6. Zijkanten loopband | 14. Hartslagmeter hand |
| 7. Achterzijde | 15. Noodstop |
| 8. Verstelbare helling (drie standen) | |

Dit product mag niet zonder toezicht worden gebruikt door kinderen of personen met een lichamelijke beperking.

Wanneer het stroomsnoer beschadigd is, moet het worden vervangen door de fabrikant of een erkend onderhoudsbedrijf om letsel en schade te voorkomen.

17

Android:**Download de app bij Google Play.****iPad/iPhone:**

Download de app uit de App Store.

Controleer of uw mobiele apparaat voldoet aan de vereisten voor de app. Deze worden vermeld bij Google Play en in de App Store.

GEBRUIK:

1. Schakel Bluetooth in op het mobiele apparaat.
2. Open de app.
3. Zoek in het hoofdmenu naar beschikbare apparaten.
4. Selecteer het apparaat in de lijst om te koppelen.

Nadat het apparaat is gekoppeld, kunt u de app op verschillende manieren gebruiken:

Quick Run

Map-modus

Target-modus

Helaas kunnen we de werking van de app hier niet uitgebreid beschrijven, aangezien die regelmatig wordt aangepast. Deze aanpassingen kunnen ertoe leiden dat de app anders werkt of er anders uitziet.

Raadpleeg de instructies in Google Play of de App Store of neem contact met ons op.

TECHNISCHE GEGEVENS

Afmetingen (uitgeklapt)	126 x 60 x 120 cm	Motorvermogen	735 W
Afmetingen (ingeklapt)	120 x 60 x 68 cm	Nominale spanning / frequentie	220-240 V 50 / 60 Hz
Maximaal gebruikersgewicht	110 kg	Gewicht van apparaat	24 kg
CE-gecertificeerd			
Lcd-display	Snelheid, tijd, afstand, calorieën, hartslag		

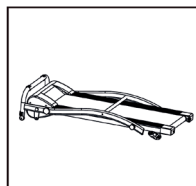
KENMERKEN

- Model: HSM-T09D5
- Gebruikershandleiding
- Handgrepen bekleed met foam
- Hartslagmeter hand
- Loopoppervlak: 100 x 34 cm
- Snelheidsbereik: 1-10 km/u
- 12 programma's / 1 handmatige modus
- 4 quickstart-knoppen met verschillende snelheden
- Fitshow-app
- iPad-houder
- 2 fleshouders
- Noodstopkoord
- Verstelbare helling (drie standen)
- Wielletjes
- Gebruiksvriendelijk display met weergave van snelheid, tijd, afstand, calorieën, hartslag en voorgedefinieerde programma's.

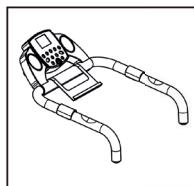
DE INHOUD VAN DE DOOS

Haal alle onderdelen van de loopband uit de verpakking en bewaar de verpakking totdat u de loopband hebt gemonteerd en getest. Let op: De loopband kan alleen worden geretourneerd in de oorspronkelijke verpakking.

Als er onderdelen ontbreken, zijn beschadigd of niet werken, neem dan meteen contact op met de klantenservice voor instructies. Let op: Probeer het apparaat niet zelf te repareren om verdere schade en letsel te vermijden.



Frame



Handgrepen, bedieningspaneel en iPad-houder



Accessoires

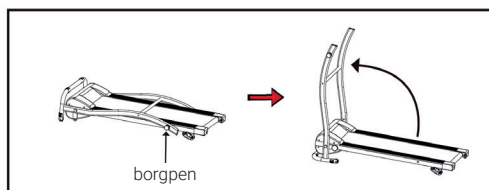
ACCESSOIRES

- 1 x inbussleutel
- 1 x noodstopkoord
- 2 x afdekkapjes
- 2 x vergrendelingen (voor in- en uitklappen)
- 2 x vergrendelingen bedieningspaneel

MONTAGE

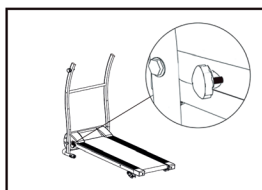
U monteert de loopband in vijf eenvoudige stappen.

Stap 1



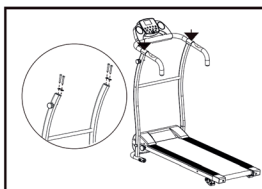
Leg het frame op de grond en trek aan de borgpen om het frame uit te klappen.

Stap 2



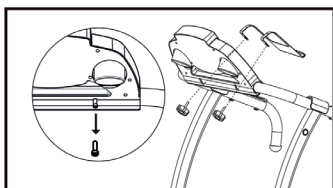
Draai de vergrendeling vast om het frame stevig rechtop te houden.

Stap 3



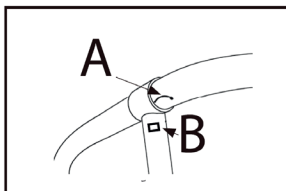
Schroef de bouten en ringen los van de twee verticale delen, bevestig de handgrepen, schroef de bouten met ringen weer vast en plaats de kapjes over de bouten.

Stap 4



Draai het schroefje aan de achterzijde van het bedieningspaneel los. Bevestig het bedieningspaneel en de iPad-houder met de twee zwarte schroeven. **WAARSCHUWING!** Draai het bedieningspaneel niet om schade aan de interne bedrading te voorkomen!

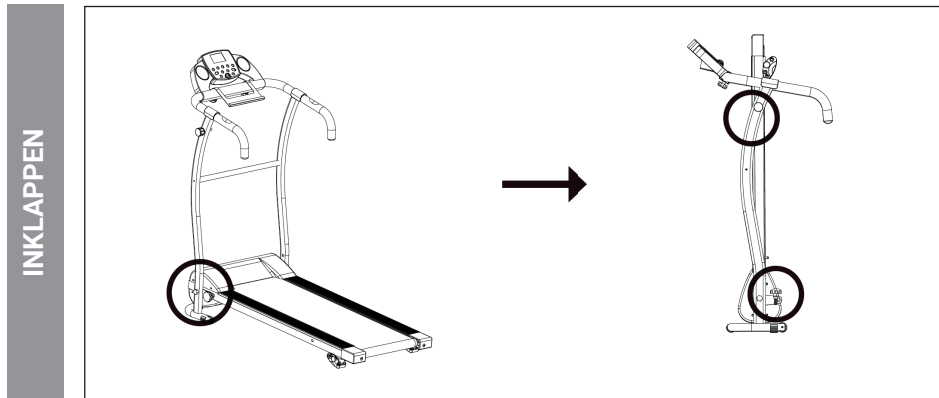
Stap 5



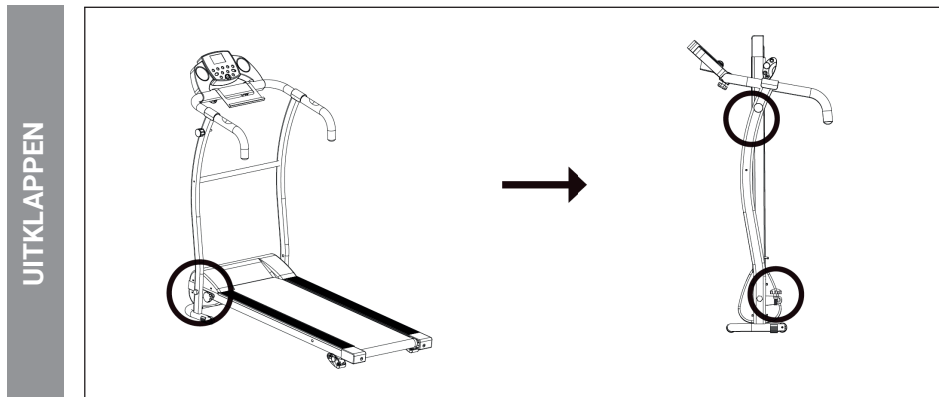
Sluit de signaalkabel van het bedieningspaneel (A) aan op de kabel op het frame (B).

IN- EN UITKLAPPEN

NL



Draai na gebruik van de loopband de vergrendeling aan de onderkant van het frame los en bewaar die in de houder. Klap de loopband in en gebruik de borgpen om het apparaat rechtop vast te zetten.



Trek de borgpen naar buiten en laat het frame voorzichtig op de grond zakken. Draai de vergrendeling vast aan de onderkant van het frame om het apparaat vast te zetten.

GEBRUIKSAANWIJZING



Noodstopkoord

Start de loopband door de magneet van het noodstopkoord in de gele cirkel op het bedieningspaneel te plaatsen en de clip aan uw kleren te bevestigen. Let op: De loopband start niet totdat u de magneet in de cirkel plaatst. U kunt de loopband op elk moment STOPPEN door het noodstopkoord van het bedieningspaneel te trekken.

De loopband starten

Steek de stekker in het stopcontact en zet de loopband aan met de rode schakelaar aan de achterzijde. Plaats de magneet van het noodstopkoord op het bedieningspaneel. Druk op de knop START. Het bedieningspaneel piept en het lcd-display gaat aan. De loopband staat nu in stand-by.

Zie de instructies hieronder voor het selecteren van het handmatige programma of een van de voorgedefinieerde programma's.

Een programma selecteren

U kunt kiezen uit 12 voorgedefinieerde programma's. In de onderstaande tabel en op het display van het bedieningspaneel ziet u de moeilijkheidsgraad van elk programma.

1. Druk herhaaldelijk op de knop PROG om een van de programma's te selecteren.
2. Stel de tijd in met de knoppen SPEED+ en SPEED- en druk vervolgens op START om de loopband te starten na 3 seconden aftellen. U kunt een tijd instellen tussen 5 en 99 minuten.

Let op: Bij elke snelheidsverandering in het programma wordt 3 seconden afgeteld.
 Houd bij een snelheidsverandering de handgrepen vast om te voorkomen dat u valt. Trek het noodstopkoord van de loopband als u niet stevig staat of dreigt te vallen.
 Let op: U kunt de snelheden van de voorgedefinieerde programma's niet aanpassen.

De snelheidsveranderingen staan aangegeven in de onderstaande tabel. De intervallen zijn afhankelijk van de door u ingestelde tijd.

Programma	Snelheid (km/u) per segment																			
P1	2	3	3	4	5	3	4	5	5	3	4	5	4	4	4	2	3	3	5	3
P2	2	4	4	5	6	4	6	6	6	4	5	6	4	4	4	2	2	5	4	2
P3	2	4	4	6	6	4	7	7	7	4	7	7	4	4	4	2	4	5	3	2
P4	3	5	5	6	7	7	5	7	7	8	8	5	9	5	5	6	6	4	4	3
P5	2	4	4	5	6	7	7	5	6	7	8	8	5	4	4	6	5	5	4	2
P6	2	4	3	4	5	4	8	7	5	7	8	3	6	4	4	2	5	4	3	2
P7	2	3	3	3	4	5	3	4	5	3	4	5	3	3	3	6	6	5	3	3
P8	2	3	3	6	7	7	4	6	7	4	4	4	6	7	4	4	4	2	3	2
P9	2	4	4	7	7	4	7	8	4	8	9	9	4	4	4	5	6	3	3	2
P10	2	4	5	6	7	5	4	6	8	8	6	6	5	4	4	2	4	4	3	3
P11	3	4	5	9	5	9	5	5	5	9	9	5	5	5	9	9	8	7	6	3
P12	2	5	8	10	7	7	10	10	7	7	10	10	6	6	9	9	5	5	4	3

Handmatige stand

Druk op de knop MODE om de handmatige stand te selecteren.

Druk op de knoppen SPEED+ en SPEED- om de tijd of afstand aan te passen.

Druk op START; het apparaat telt 3 seconden af.

Als u de snelheid wilt wijzigen, drukt u op een van de Quickstart-knoppen of SPEED + en SPEED-.

De loopband stoppen

U kunt de loopband op elk moment stoppen door op STOP te drukken of het noodstopkoord van het bedieningspaneel te trekken.

De loopband uitzetten

Wanneer u klaar bent, drukt u op de knop STOP, zet u het apparaat uit met de rode aansluiting aan de achterzijde en haalt u de stekker uit het stopcontact.

Raadpleeg het gedeelte Onderhoud voor informatie over het onderhouden van de loopband.

ONDERHOUD VAN LOOPVLAK EN BAND

De loopband van het apparaat is in de fabriek gesmeerd.

De band kan naar links of rechts verschuiven of losser komen te zitten door uw gebruik van de loopband. Om de levensduur van uw loopband te verlengen, is het belangrijk om te weten hoe u de band op de juiste manier smeert, spant en uitlijnt.

Raadpleeg de instructies hieronder.

SMEREN VAN LOOPVLAK EN BAND

Een goede smering onder de band zorgt voor de beste prestaties en een lange levensduur. Breng na de eerste 25 uur gebruik (of 2-3 maanden) wat smeermiddel aan en herhaal dit na elke 50 uur gebruik (of 5-8 maanden).

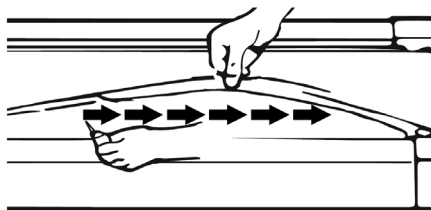
De smering van de band controleren

Til een kant van de band omhoog en voel aan de bovenkant van het loopvlak. Als het oppervlak glad aanvoelt, hoeft u niet te smeren. Als het oppervlak droog aanvoelt, brengt u een beetje smeermiddel aan.

Smeermiddel aanbrengen

Til een kant van de band omhoog. Druppel wat smeermiddel op het loopvlak, onder het midden van de band. Loop ca. 5 minuten op lage snelheid op de loopband om het smeermiddel gelijkmatig te verdelen.

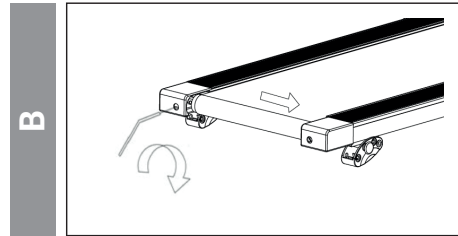
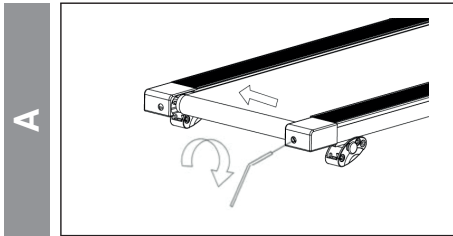
LET OP: Gebruik niet TE VEEL smeermiddel. Veeg overtollig smeermiddel weg met een droge doek.



BAND AFSTELLEN

NL

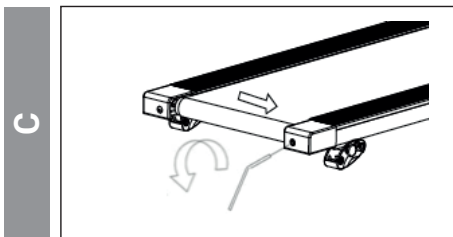
We raden u ten eerste aan de uitlijning van de band te controleren wanneer u het apparaat uit de verpakking haalt, omdat de band mogelijk is verschoven tijdens het transport. Controleer de uitlijning ook voor of na elk gebruik. Stel de band altijd zowel links als rechts af om deze goed strak en in het midden te houden.



LOSSE BAND AFSTELLEN

De band gaat losser zitten naarmate u het apparaat gebruikt. De band zit te los als u ziet dat deze in het midden opbult. Als u op de band loopt en deze niet stabiel aanvoelt of aan uw voeten blijft plakken, moet u de loopband onmiddellijk STOPPEN en de band op spanning brengen om letsel te voorkomen.

1. Zet de loopband op een vlakke ondergrond.
2. STOP de loopband voordat u de band gaat spannen.
3. Draai de schroef aan het uiteinde van het frame een kwartslag naar rechts met de inbussleutel, zie afbeelding C.
4. START de loopband op gemiddelde snelheid en controleer of de band in het midden zit. Als dat niet het geval is, draait u de schroef nogmaals een kwartslag. Herhaal totdat de band goed gecentreerd is.



25



ONDERHOUD

Regelmatig onderhoud is noodzakelijk voor het verlengen van de levensduur van de loopband en het voorkomen van letsel. We raden u ten zeerste aan om het volgende te doen:

1. Haal de stekker uit het stopcontact na gebruik, met name als er zich kinderen in de buurt bevinden.
2. Houd de loopband, de zijkanten en de vloer onder het apparaat schoon en vrij van stof en vuil, om overmatige slijtage en mogelijke schade aan de loopband te voorkomen.
3. Maak het bedieningspaneel en het gebied rond de aan-uitschakelaar na gebruik schoon met een droge doek. Hardnekkige vlekken en vuil op de band kunt u verwijderen met een zachte doek en schoonmaakmiddel.
4. Controleer de uitlijning van de band voor elk gebruik van het apparaat. Raadpleeg het gedeelte Band afstellen hierboven.
5. Zorg dat de band goed gesmeerd is. Raadpleeg het gedeelte Onderhoud van loopvlak en band hierboven.
6. Zet de loopband op een veilige en droge plaats, uit de buurt van water en warmtebronnen.



Denk aan het milieu!
Houd u aan de plaatselijke richtlijnen voor afvalinzameling. Lever oude elektrische apparatuur in bij de daarvoor bestemde inzamelingslocatie.



PROBLEMEN OPLOSSEN

NL

We raden u ten eerste aan de uitlijning van de band te controleren wanneer u het apparaat uit de verpakking haalt, omdat de band mogelijk is verschoven tijdens het transport. Controleer de uitlijning ook voor of na elk gebruik.

Stel de band altijd zowel links als rechts af om deze goed strak en in het midden te houden.

NR.	PROBLEEM	OPLOSSING
1	ER WORDT NIETS WEERGEGEVEN OP HET DISPLAY.	Controleer of de stekker in het stopcontact zit en het apparaat is ingeschakeld met de aan-uitschakelaar aan de achterzijde. Controleer of de kabel van het bedieningspaneel is aangesloten op de kabel van het frame, raadpleeg de montage-instructies. Plaats de magneet van het noodstopkoord in de gele cirkel op het bedieningspaneel en bevestig de clip aan uw kleren. Druk op de knop START op het bedieningspaneel. De band begint na 3 seconden te draaien. Als het probleem hiermee niet is opgelost, probeert u een ander stopcontact. Houd er rekening mee dat het bedieningspaneel automatisch uitschakelt wanneer u het apparaat niet gebruikt. Bel de klantenservice als u het probleem niet kunt oplossen.
2	HET BEDIENINGSPANEEL IS AAN, MAAR DE MOTOR DRAAIT NIET.	Controleer of de elektrische spanning niet te laag is. Probeer een ander stopcontact. Controleer of de magneet van het noodstopkoord zich op het bedieningspaneel bevindt. Bel de klantenservice als u het probleem niet kunt oplossen.
3	DE BAND ZIT LOS.	Raadpleeg het gedeelte Onderhoud van loopvlak en band hierboven.
4	DE BAND IS NAAR RECHTS OF LINKS VERSCHOVEN.	Raadpleeg het gedeelte Onderhoud van loopvlak en band hierboven.
5	DE BAND IS NIET MEER ANTISTATISCH.	Smeer de loopband na ca. 80 uur gebruik. Voel tussen het loopvlak en de band of de oppervlakken niet te droog zijn. Raadpleeg het gedeelte Onderhoud van loopvlak en band hierboven.

27

Veillez lire ce mode d'emploi et les consignes de sécurité avant d'utiliser ce tapis de course.

CONSIGNES DE SÉCURITÉ

Il est recommandé de consulter un médecin avant de pratiquer un programme d'exercices physiques. Ceci est particulièrement important si vous êtes enceinte, malade, blessé(e) ou atteint(e) d'une affection préexistante.

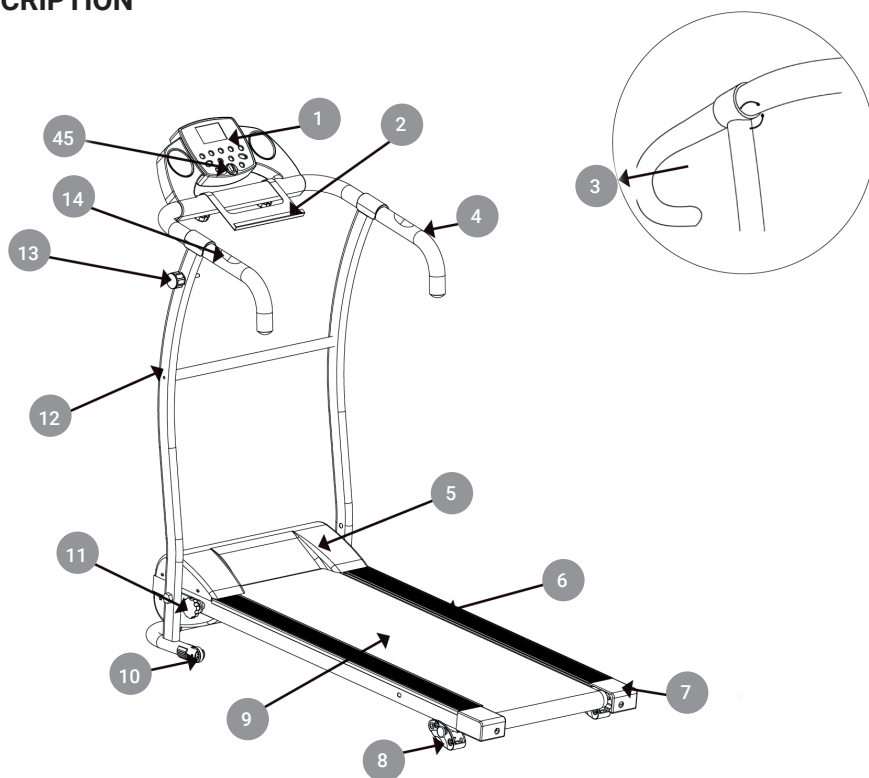
Si pendant l'utilisation du tapis de course, vous éprouvez des vertiges, des étourdissements, un souffle court ou des douleurs **ARRÊTEZ** immédiatement votre entraînement et consultez un médecin.

L'utilisation d'un appareil électrique implique une connaissance des procédures normales de sécurité, notamment en présence d'enfants ou d'animaux.

- Installez le tapis de course sur un sol plat, à l'abri de l'humidité ou de la chaleur.
- Évitez d'installer le tapis de course sur une moquette ou un tapis épais pour permettre la circulation de l'air et éviter une surchauffe du moteur. Préférez une surface lisse.
- Pour plier et déplier le tapis de course, suivez les instructions du chapitre Pliage et dépliage ci-après.
- Pour allumer le tapis de course, branchez l'appareil et appuyez sur l'interrupteur marche / arrêt à l'arrière de l'appareil. Évitez de brancher d'autres dispositifs électriques sur la même prise.
- Le tapis de course étant équipé d'une fiche avec mise à la terre, il doit être branché sur une prise adéquate pour éviter tout risque de blessures.
- Vérifiez toujours l'alignement de la bande de course avant d'utiliser l'appareil. Celle-ci se déplacera légèrement vers le côté au fil de l'utilisation. Pour aligner et fixer solidement la bande de course lorsque celle-ci devient collante ou trop lâche, consultez le chapitre Aligner la bande de course ci-après. Il est important d'entretenir la bande de course correctement pour éviter les blessures.

- Pour mettre en route le tapis de course, connectez la clé de sécurité magnétique au cercle jaune de la console et attachez le clip à votre vêtement. Remarque : Le tapis de course peut uniquement démarrer si la clé de sécurité est connectée au cercle jaune.
- DÉMARREZ le tapis de course à la vitesse minimum et tenez-vous aux appuie-mains. Remarque : Le tapis de course se met en mouvement après 3 secondes.
- En cas de dysfonctionnement du tapis de course, TIREZ sur la clé de sécurité pour la déconnecter de la console. Le tapis de course s'arrêtera immédiatement. Éteignez l'appareil en appuyant sur l'interrupteur marche / arrêt à l'arrière de l'appareil. Débranchez-le et contactez le Service clients pour connaître les instructions à suivre.
- Un entretien régulier augmente la durée de vie de votre tapis de course et réduit les risques de blessures. Consultez le chapitre Dysfonctionnements en page 12.
- Lorsque vous soulevez ou déplacez le tapis de course, utilisez des techniques adéquates de levage ou demandez de l'aide pour éviter de vous blesser.
- Ne laissez jamais le tapis de course branché et/ou sans surveillance en présence d'enfants.
- Lorsque vous n'utilisez pas le tapis de course, ou pour le déplacer ou le nettoyer, éteignez-le en appuyant sur l'interrupteur marche / arrêt et débranchez l'appareil.
- Le tapis de course n'est pas adapté aux enfants de moins de 14 ans ni aux personnes aux aptitudes physiques réduites, sauf sous la surveillance d'un adulte.
- Le tapis de course est conçu pour être utilisé exclusivement à l'intérieur, dans un endroit propre et sec.

DESCRIPTION



- | | |
|-------------------------------------|------------------------|
| 1. Console | 9. Bande de course |
| 2. Support pour iPad | 10. Roues de transport |
| 3. Fils des capteurs de la console | 11. Bouton de serrage |
| 4. Appuie-mains | 12. Montants |
| 5. Capot du moteur | 13. Goupille à ressort |
| 6. Rails latéraux de sécurité | 14. Capteurs de pouls |
| 7. Bouchons | 15. Clé de sécurité |
| 8. Inclinaison manuelle (3 niveaux) | |

Cet appareil n'est pas conçu pour être utilisé par des enfants ou des personnes aux aptitudes physiques réduites, sauf sous la surveillance d'un adulte.

Si le cordon d'alimentation est endommagé, il doit être remplacé par le fabricant, son agent de service ou une personne qualifiée, pour éviter tout danger.

Android:

Téléchargez votre application favorite sur Google Play.

iPad / iPhone :

Téléchargez votre application favorite sur App Store.

Vérifiez si votre téléphone a les conditions requises pour l'installation de l'application. Les conditions pour chaque application sont affichées sur Google Play ou App Store..

INSTRUCTIONS D'UTILISATION :

1. Activez la fonction Bluetooth de votre téléphone.
2. Ouvrez l'application sur votre téléphone.
3. Dans le menu principal, cherchez les appareils Bluetooth disponibles.
4. Sélectionnez l'appareil correspondant sur la liste de votre téléphone.
5. Une fois la connexion établie, vous pouvez utiliser l'application de diverses façons :
Une fois la connexion établie, vous pouvez utiliser l'application de diverses façons :
« Quick Run »
Mode « Map »
Mode « Target »

L'application sera mise à jour régulièrement, c'est pourquoi nous ne pouvons vous fournir un manuel complet de l'application. Les mises à jour peuvent modifier le mode de fonctionnement de l'application.

En cas de besoin, consultez les instructions sur Google Play ou App Store ou contactez-nous.

SPÉCIFICATIONS TECHNIQUES

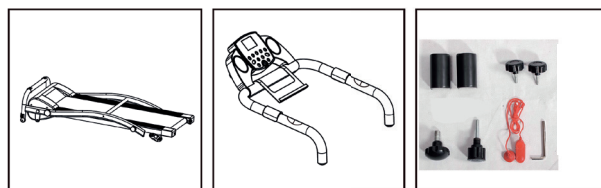
Dimensions du produit (déplié)	126 x 60 x 120 cm	Puissance du moteur	735 W
Dimensions du produit (plié)	120 x 60 x 68 cm	Tension nominale / Fréquence	220-240 V 50 / 60 Hz
Charge maximum	110 kg	Poids du produit	24 kg
Certifié CE			
Écran LCD	Vitesse, temps, distance, calories, fréquence cardiaque		

CARACTÉRISTIQUES DU PRODUIT

- Modèle : HSM-T09D5
- Mode d'emploi
- Appuie-mains revêtement mousse
- Capteurs de pouls
- Surface de course : 100 x 34 cm
- Vitesse : 1 à 10 km/h
- 12 programmes préenregistrés / 1 mode manuel
- 4 touches vitesses préprogrammées
- Application Fitshow
- Support pour iPad
- 2 supports pour bouteilles d'eau
- Clé de sécurité (arrêt d'urgence)
- Inclinaison manuelle (3 niveaux)
- Roues de transport
- Console intuitive avec écran affichant vitesse, temps, distance, calories, fréquence cardiaque et programmes préenregistrés

CONTENU DU CARTON

Retirez le tapis de course et les accessoires du carton. Conservez l'emballage jusqu'au moment où vous avez entièrement assemblé et testé le tapis de course. Remarque : Pour des raisons de sécurité, les produits à retourner doivent être envoyés dans leur emballage d'origine. Si une pièce manque, a été endommagée pendant le transport ou ne fonctionne pas, contactez immédiatement le Service clients pour recevoir les instructions adéquates. Remarque : N'essayez pas de résoudre vous-même un éventuel problème sous peine d'aggraver le problème ou de vous blesser.



Châssis du tapis de course

Appuie-mains, console et support pour iPad

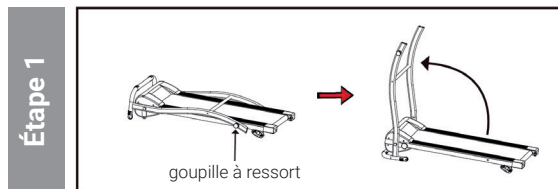
Kit d'accessoires

KIT D'ACCESSOIRES

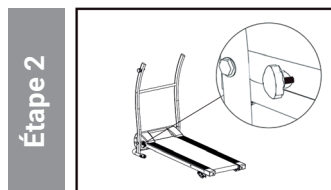
- 1 x clé Allen
- 1 x clé de sécurité (arrêt d'urgence)
- 2 x couvercles cache-vis pour appuie-mains
- 2 x boutons de serrage (pliage et dépliage)
- 2 x boutons de serrage du console

ASSEMBLAGE

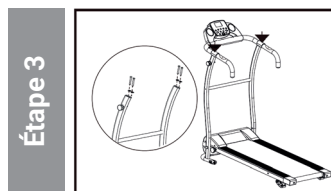
Assemblez votre tapis de course en 5 étapes et commencez l'entraînement.



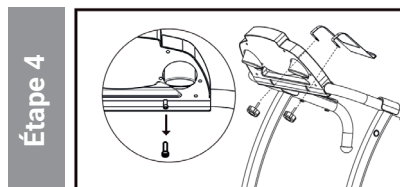
Placez le tapis de course sur le sol et tirez sur la goupille à ressort pour le déplier.



Vissez le bouton de serrage pour sécuriser la structure à la verticale.

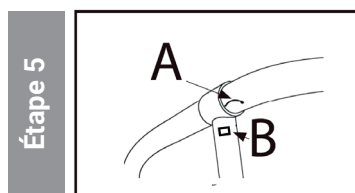


Dévissez les boulons / rondelles sur les deux montants verticaux. Vissez les appuie-mains et la console sur les montants puis placez les couvercles cache-vis.



Dévissez le petit boulon chromé au dos de la console.

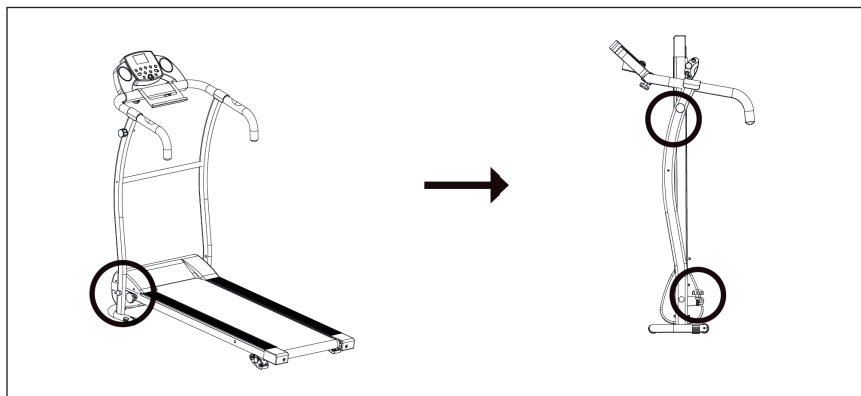
Montez et alignez la console puis vissez le support pour iPad à la main avec deux vis noires. AVERTISSEMENT – Branchements internes, ne faites pas pivoter la console !



Connectez le fil (A) de la console au fil (B) du châssis.

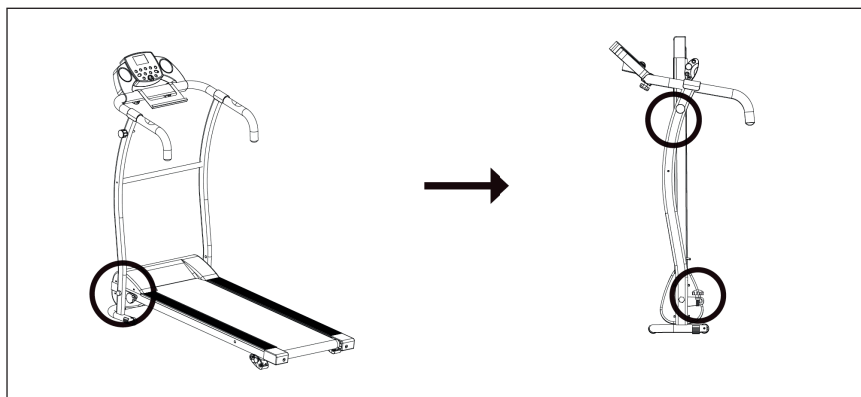
PLIAGE ET DÉPLIAGE

PLIAGE



Après utilisation, dévissez le bouton de serrage situé au bas du châssis et placez-le sur son support. Pliez l'appareil, tirez sur la goupille à ressort et relâchez pour verrouiller l'appareil en position pliée.

DÉPLIAGE



Tirez sur la goupille à ressort et dépliez l'appareil. Vissez le bouton de serrage sur le bas du châssis pour verrouiller l'appareil en position dépliée.

INSTRUCTIONS D'UTILISATION

FR



Clé de sécurité

Pour démarrer le tapis de course, la clé de sécurité magnétique doit être connectée à la console (cercle jaune) et attachée à votre vêtement. Remarque : L'appareil ne peut pas fonctionner sans avoir connecté la clé magnétique.

Vous pouvez ARRÊTER l'appareil à tout moment en tirant sur la clé de sécurité pour la déconnecter. L'appareil s'arrête alors immédiatement.

Allumer le tapis de course

Branchez l'appareil et appuyez sur l'interrupteur rouge situé à l'arrière du tapis de course. Connectez ensuite la clé de sécurité à la console.

Appuyez sur la touche START de la console. Après un bip, l'écran LCD s'allume. Le tapis de course est en Mode Veille.

Sélectionnez le mode manuel ou un programme préenregistré. Pour cela, consultez les instructions ci-après.

Sélectionner un programme préenregistré

Vous avez le choix entre 12 programmes préenregistrés. Veuillez consulter le tableau ci-dessous et ses informations sur la console pour déterminer le niveau de difficulté de chaque programme.

1. Pour sélectionner un programme préenregistré, maintenir la touche PROG appuyée pour naviguer entre les diverses options.
2. Maintenant adaptez la durée du programme (TIME) avec les touches SPEED + et - pour ajouter ou soustraire des minutes (durée de 5 à 99 minutes). Appuyez ensuite sur START pour démarrer. Le tapis se met en route au bout de 3 secondes.

35

Remarque : Un compte à rebours de 3 secondes commence à chaque fois que le programme est prêt à changer de vitesse.

Pendant les changements de vitesse, tenez-vous aux appuie-mains pour ne pas tomber. Si vous vous sentez trop instable ou en cas de chute, tirez sur la clé de sécurité pour arrêter le tapis de course.

Remarque : La vitesse des programmes préenregistrés est fixe et ne peut pas être modifiée.

La vitesse change à chaque intervalle de temps comme indiqué sur le tableau (l'intervalle dépend de la durée que vous avez choisie).

Programme	Vitesse (km/h) par intervalle																			
P1	2	3	3	4	5	3	4	5	5	3	4	5	4	4	4	2	3	3	5	3
P2	2	4	4	5	6	4	6	6	6	4	5	6	4	4	4	2	2	5	4	2
P3	2	4	4	6	6	4	7	7	7	4	7	7	4	4	4	2	4	5	3	2
P4	3	5	5	6	7	7	5	7	7	8	8	5	9	5	5	6	6	4	4	3
P5	2	4	4	5	6	7	7	5	6	7	8	8	5	4	4	6	5	5	4	2
P6	2	4	3	4	5	4	8	7	5	7	8	3	6	4	4	2	5	4	3	2
P7	2	3	3	3	4	5	3	4	5	3	4	5	3	3	3	6	6	5	3	3
P8	2	3	3	6	7	7	4	6	7	4	4	4	6	7	4	4	4	2	3	2
P9	2	4	4	7	7	4	7	8	4	8	9	9	4	4	4	5	6	3	3	2
P10	2	4	5	6	7	5	4	6	8	8	6	6	5	4	4	2	4	4	3	3
P11	3	4	5	9	5	9	5	5	5	9	9	5	5	5	9	9	8	7	6	3
P12	2	5	8	10	7	7	10	10	7	7	10	10	6	6	9	9	5	5	4	3

Mode manuel

Pour sélectionner le mode manuel, appuyez sur la touche MODE.

Utilisez les touches SPEED + et - pour modifier la durée (TIME) ou la DISTANCE.

Appuyez ensuite sur START et un compte à rebours de 3 secondes se déclenche.

Pour modifier la vitesse utilisez les touches de vitesses préprogrammées ou SPEED + et -.

Arrêter le tapis de course

Pour arrêter le tapis de course, appuyez simplement sur la touche STOP ou déconnectez la clé de sécurité de la console.

Éteindre le tapis de course

La bande de course a été lubrifiée avant sa sortie d'usine. Au fil de son utilisation, la bande de course se détendra et se déplacera vers la gauche ou la droite. Pour prolonger la durée de vie de votre appareil, il est important de savoir comment lubrifier, tendre et aligner la bande de course. Pour cela, consultez les instructions suivantes.

LUBRIFIER LA BANDE DE COURSE

Lubrifier l'appareil sous la bande de course rend le tapis de course plus performant et prolonge sa durée d'utilisation. Appliquez un peu de lubrifiant après 25 heures d'utilisation (ou 2 à 3 mois). Répétez ensuite l'opération toutes les 50 heures (5 à 8 mois).

Vérifier la bande de course pour une bonne lubrification

Soulevez un côté de la bande de course et touchez la surface de la planche de course. Si la surface est lisse, la lubrification n'est pas nécessaire. Si la surface est sèche, appliquez un peu de lubrifiant.

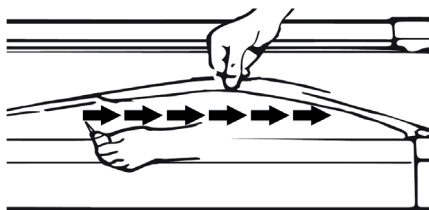
Comment appliquer le lubrifiant

Soulevez un côté de la bande de course.

Versez un peu de lubrifiant sous le centre de la bande et sur la surface de la planche de course.

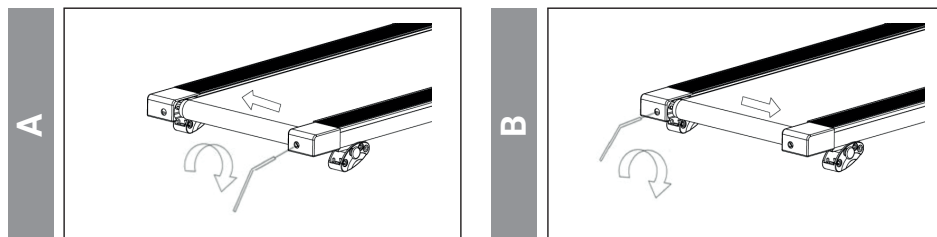
Pour répartir uniformément le lubrifiant, courez 3 à 5 minutes sur le tapis de course à vitesse réduite.

REMARQUE : Ne lubrifiez PAS TROP la planche de course. Essayez les éventuels excès de lubrifiant.



ALIGNER LA BANDE DE COURSE

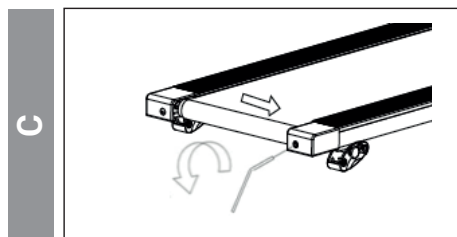
Nous recommandons vivement de contrôler l'alignement de la bande de course à la réception de l'appareil mais aussi avant et après chaque utilisation. Ajustez les deux côtés en même temps pour garder la bande alignée et centrée.



RETENDRE LA BANDE DE COURSE

Il est normal qu'au fil de son utilisation, la bande de course se détende. Lorsque des gonflements se forment au milieu de la bande de course, celle-ci est trop détendue. Si le tapis est instable (banca!) lorsque vous courez ou si sa surface est collante **ARRÊTEZ** immédiatement l'appareil et retendez la bande de course pour éviter le risque de blessures.

1. Installez l'appareil sur un sol plat.
2. Pour ajuster la tension de la bande, **ARRÊTEZ** le tapis de course.
3. Utilisez la clé Allen fournie et tournez la vis située à l'arrière d'un quart de tour dans le sens des aiguilles d'une montre – voir illustration C.
4. **DÉMARREZ** l'appareil à vitesse moyenne et vérifiez si la bande de course est centrée. Si ce n'est pas la cas, tournez la vis d'un quart de tour supplémentaire. Répétez l'opération si nécessaire.





ENTRETIEN GÉNÉRAL

FR

Un entretien régulier augmente la durée de vie de votre tapis de course et réduit les risques de blessures. Nous recommandons vivement d'effectuer les opérations suivantes de façon régulière.

1. Débranchez l'appareil après utilisation, surtout si des enfants sont présents.
2. Pour réduire l'usure et les risques d'endommager votre appareil, il est extrêmement important de nettoyer et dépeussier la bande de course, les rails latéraux et la surface sous l'appareil.
3. Après chaque utilisation, nettoyez la console et les zones autour de l'interrupteur marche / arrêt avec un chiffon sec. Utilisez un chiffon doux et un produit nettoyant pour nettoyer les taches tenaces sur la bande de course.
4. Vérifiez l'alignement de la bande de course avant chaque utilisation (elle se décalera au fil de son utilisation). Consultez le chapitre précédent Retendre la bande de course.
5. Veillez à maintenir la bande de course lubrifiée. Consultez le chapitre Entretien de la bande de course.
6. Conservez l'appareil dans un lieu sûr, à l'abri de la chaleur et de l'humidité.



Contribuez à la protection de l'environnement !
Respectez les dispositions légales en vigueur : remettez tout équipement électrique dans un centre de recyclage approprié.

39



DYSFONCTIONNEMENTS

RÉF.	PROBLÈME	SOLUTION
1	L'ÉCRAN DE LA CONSOLE NE S'ALLUME PAS.	Vérifiez que l'appareil est branché correctement. L'interrupteur à l'arrière de l'appareil doit être en position On. Vérifiez que le fil de la console (A) est connecté au châssis (B). Consultez le chapitre Assemblage. Connectez la clé de sécurité sur le cercle jaune de la console et attachez le clip à votre vêtement. Appuyez sur la touche START de la console. Le tapis doit se mettre en route au bout de 3 secondes. Si cela ne résout pas le problème, branchez l'appareil sur une autre prise. Remarque : La console s'éteint automatiquement lorsqu'elle n'est pas utilisée. Si le problème persiste, contactez le Service clients.
2	LA CONSOLE EST ALLUMÉE MAIS LE MOTEUR NE FONCTIONNE PAS.	Vérifiez si le voltage n'est pas trop bas. Branchez l'appareil sur une autre prise. Vérifiez si la clé de sécurité est connectée à la console. Si le problème persiste, contactez le Service clients.
3	LA BANDE DE COURSE EST DÉTENDUE.	Consultez le chapitre Entretien de la bande de course ci-dessus. Si le problème persiste, contactez le Service clients.
4	LA BANDE DE COURSE S'EST DÉCALÉE SUR UN CÔTÉ.	Consultez le chapitre Entretien de la bande de course ci-dessus. Si le problème persiste, contactez le Service clients.
5	L'AGENT ANTISTATIQUE S'EST ESTOMPÉ.	Lubrifiez le tapis de course après environ 80 heures. Vous pouvez aussi passer votre main entre la bande course et la planche pour voir si elle est sèche. Consultez le chapitre Entretien de la bande de course ci-dessus. Si le problème persiste, contactez le Service clients.

Stellen Sie bitte sicher, dass Sie das Benutzerhandbuch und die Sicherheitshinweise vor Benutzung des Laufbands sorgfältig durchlesen.

SICHERHEITSHINWEISE

Vor der Benutzung dieses Produkts bitte sorgfältig durchlesen.

Sie sollten vor Beginn eines Trainingsprogramms einen Arzt konsultieren. Dies ist besonders wichtig, wenn Sie schwanger, krank oder verletzt sind oder eine bereits bestehende Erkrankung haben.

Wenn Ihnen während der Benutzung des Laufbands schwindlig wird, Sie ohnmächtig werden oder Atemnot oder Schmerzen bekommen, STOPPEN Sie sofort die Benutzung des Laufbands und konsultieren Sie einen Arzt.

Bei der Benutzung von elektrischen Geräten sollten Sie normale Sicherheitsvorkehrungen einhalten, insbesondere wenn Kinder oder Haustiere in der Nähe sind.

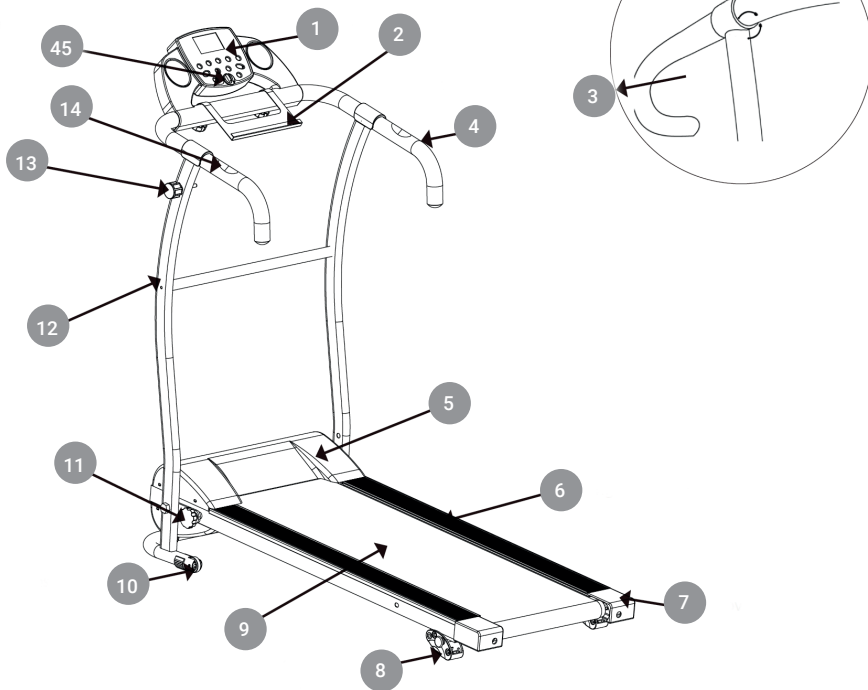
- Stellen Sie das Laufband flach auf den Boden und schützen Sie es vor Wasser und Hitze.
- Vermeiden Sie das Laufband auf einen dicken Teppich zu stellen. Es sollte auf einer flachen sauberen Oberfläche platziert werden, sodass die Luft frei um das Laufband herum zirkulieren kann, um Überhitzung des Motors zu vermeiden.
- Um das Laufband ein- und auszuklappen, siehe den Abschnitt Anleitung zum Ein- und Ausklappen unten.
- Um das Laufband einzuschalten, verbinden Sie das Netzkabel mit der Wand und schalten Sie den roten Ein/Aus-Schalter auf der Rückseite des Laufbands ein und vermeiden Sie, die Steckdose mit anderen elektrischen Geräten zu teilen.
- Die Erdung von elektrischen Geräten ist wichtig und reduziert die Stromschlaggefahr. Das mit dem Laufband mitgelieferte elektrische Kabel und der Stecker sind geerdet, daher ist eine geerdete Steckdose zu verwenden, um Verletzungen zu vermeiden.
- Da sich das Laufband durch die Benutzung zu einer Seite bewegen wird,

überprüfen Sie bitte jedes Mal, wenn Sie das Laufband benutzen, die Justierung des Laufbands, um das Laufband richtig zu justieren und zu straffen, wenn es klebrig unter den Füßen und locker wird. Siehe auch den Abschnitt Laufbandjustierung auf Seite 10. Es ist wichtig, dass Sie dies richtig tun, um Verletzung zu vermeiden.

- Um das Laufband zu starten, befestigen Sie den Safety Key auf dem gelben Kreis auf dem Bedienfeld und befestigen Sie den Clip an Ihrer Kleidung. Hinweis: Das Laufband wird nicht starten, solange Sie den Safety Key nicht auf den gelben Kreis gesetzt haben.
- STARTEN Sie das Laufband mit der niedrigsten Geschwindigkeit und halten Sie sich an den Haltegriffen fest. Hinweis: Es sollte einen 3-sekündigen Countdown geben, bevor sich das Laufband zu bewegen beginnt.
- Falls das Laufband nicht richtig funktioniert, ZIEHEN Sie den Safety Key vom Bedienfeld ab – das Laufband wird sofort anhalten, schalten Sie den roten Netzschalter auf der Rückseite des Laufbands AUS, ziehen Sie den Netzstecker heraus und kontaktieren Sie das Kundenbetreuungsteam, um weitere Anweisungen zu erhalten.
- Die regelmäßige Wartung wird die Lebensdauer Ihres Laufbands verlängern und Verletzungen vorbeugen – siehe auch den Abschnitt Fehlerbehebung auf Seite 12.
- Verwenden Sie stets die richtige Hebetechnik und/oder Hilfe beim Heben oder Bewegen des Laufbands, um Verletzungen zu vermeiden.
- Lassen Sie das Laufband nie unbeaufsichtigt oder den Stecker in der Steckdose, insbesondere wenn kleine Kinder im Haus sind.
- Schalten Sie das Laufband an der Wand immer AUS und ziehen Sie den Stecker, wenn das Gerät nicht verwendet wird – dies gilt, wenn Sie das Laufband reinigen oder bewegen.
- Das Laufband ist für Kinder unter 14 Jahren oder für Menschen mit körperlichen Einschränkungen nicht geeignet, es sei denn, dass sie von einem Erwachsenen beaufsichtigt werden.
- Das Laufband ist nur für den Heimgebrauch bestimmt und sollte nur in geschlossenen Räumen in einem sauberen trockenen Bereich verwendet werden.

LAUFBAND

DE



- | | |
|--------------------------------|-------------------------------------|
| 1. Bedienfeld | 9. Laufband |
| 2. iPad-Halter | 10. Transporträder |
| 3. Bedienfeldsensorkabel | 11. Sicherheitsverriegelung |
| 4. Haltegriffe | 12. Oberer Rahmen |
| 5. Motorabdeckung | 13. Sicherheitssperre (erweiterbar) |
| 6. Laufbandsicherheitsschienen | 14. Handpulsensor |
| 7. Hintere Abdeckung | 15. Notfall-Safety Key |
| 8. Manuelle Neigung (3 Stufen) | |

Dieses Produkt ist nicht zur Benutzung von Kindern und von Personen mit eingeschränkten körperlichen Fähigkeiten bestimmt, es sei denn, dass sie beaufsichtigt werden.

Wenn das Netzkabel beschädigt ist, ist es vom Hersteller, Fachhändler oder einer entsprechend qualifizierten Person zu ersetzen, um Verletzungen oder Beschädigungen zu vermeiden.

43

Android:

Laden Sie Ihre Lieblingsanwendung aus Google Play herunter.

iPad/iPhone:

Laden Sie Ihre Lieblingsanwendung aus dem App Store herunter. Prüfen Sie, ob Ihr Mobilgerät die Anforderungen für die Anwendung erfüllt. Die Anforderungen für jede Anwendung sind in Google Play oder im App Store angegeben.

NUTZUNG:

1. Aktivieren Sie die Bluetooth-Funktion Ihres Mobilgeräts.
 2. Öffnen Sie die Anwendung auf Ihrem Gerät.
 3. Suchen Sie nach verfügbaren Geräten.
 4. Wählen Sie das angezeigte Gerät aus der Liste aus und verbinden sie es.
- Sobald das Gerät verbunden ist, können Sie beginnen, die Anwendung in verschiedenen Kategorien zu benutzen:

Quick Run

Map Modus

Target Modus

Bitte haben Sie Verständnis dafür, dass wir Ihnen keine vollständige Bedienungsanleitung der Anwendung in diesem Handbuch bieten können, da die Anwendung von Zeit zu Zeit aktualisiert wird. Dieser Vorgang kann zu Änderungen in der Bedienung oder des Designs führen.

Siehe auch die Anweisungen im entsprechenden App-Download-Store oder kontaktieren Sie uns.

TECHNISCHE DATEN

Produktmaße (ausgeklappt)	126 x 60 x 120 cm	Motorleistung	735 W
Produktmaße (eingeklappt)	120 x 60 x 68 cm	Nennspannung / Frequenz	220-240 V 50 / 60 Hz
Max. Benutzerge- wicht	110 kg	Maschinengewicht	24 kg
CE-zertifiziert			
CE-zertifiziert	Geschwindigkeit, Zeit, Entfernung, Kalorien, Puls		

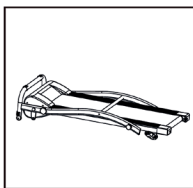
PRODUKTEIGENSCHAFTEN

- Modell: HSM-T09D5
- Benutzerhandbuch
- Haltegriffe mit gepolstertem Schaumstoff
- Handpulssensor
- Lauffläche: 100*34 cm
- Geschwindigkeitsbereich: 1-10 km/h
- 12 voreingestellte Programme / 1 manueller Modus
- Schnellstarttasten für 4 Geschwindigkeiten
- Fitshow-APP
- iPad-Halter
- 2 Wasserflaschenhalter
- Safety Key (Not-Halt)
- Manuelle Neigung (3 Stufen)
- Transporträder
- Einfach zu bedienendes Bedienfeld mit Anzeige von Geschwindigkeit, Zeit, Entfernung, Kalorien, Puls und der voreingestellten Programme

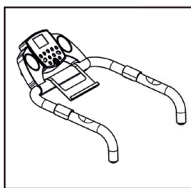
DAS ALLES IST IN DER BOX

Nehmen Sie das Laufband und die anderen Komponenten aus der Verpackung – bewahren Sie die Verpackung auf, bis Sie das Laufband vollständig montiert und getestet haben. Hinweis: Aus Sicherheitsgründen müssen Rücksendungen in der Originalverpackung zurückgesandt werden.

Wenn Komponenten fehlen, beim Transport beschädigt wurden oder einfach nicht funktionieren, kontaktieren Sie bitte sofort das Kundenbetreuungsteam, um weitere Anweisungen zu erhalten. Hinweis: Versuchen Sie nicht, Probleme selbst zu lösen, da dies zu weiteren Schäden oder Verletzungen führen kann.



Laufbandrahmen



Haltegriffe, Bedienfeld
und iPad-Halter



Toolkit

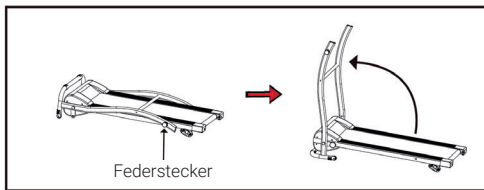
TOOLKIT

- 1 x Inbusschlüssel
- 1 x Safety Key (Not-Halt)
- 2 x Dekorative Haltegriffabdeckungen
- 2 x Sicherheitsverriegelungen (zum Ein- und Ausklappen)
- 2 x Bedienfeldverriegelungen

MONTAGEANLEITUNG

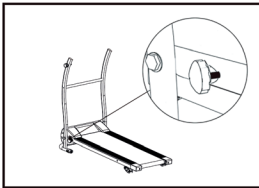
5 einfache Schritte zur Montage Ihres Laufbands und Ihr Training kann beginnen.

Schritt 1



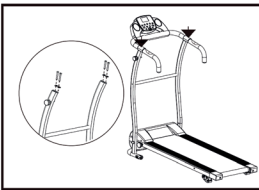
Stellen Sie den Laufbandrahmen auf den Boden und ziehen Sie den Federstecker, um den Rahmen in aufrechter Position zu öffnen.

Schritt 2



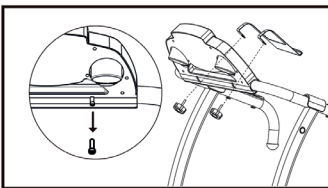
Drehen Sie die Sicherheitsverriegelung in Position, um den Rahmen aufzurichten und zu sichern.

Schritt 3



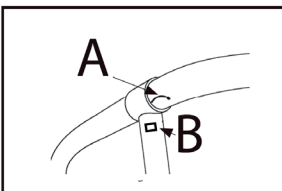
Schrauben Sie die Schrauben/Unterlegscheiben an den zwei Standsäulen ab, befestigen Sie die Haltegriffe und das Bedienfeld auf den Standsäulen, verwenden Sie dabei die Schrauben/Unterlegscheiben zum Befestigen und setzen Sie die dekorativen Abdeckungen auf die Schrauben.

Schritt 4



Schrauben Sie die kleine silberne Schraube auf der Rückseite des Bedienfelds ab. Montieren Sie das Bedienfeld, richten Sie das Bedienfeld und den iPad-Halter mit den beiden schwarzen Schrauben aus und schrauben Sie diese mit der Hand in Position fest. **WARNUNG** – Kabel im Innern, nicht das Bedienfeld drehen!

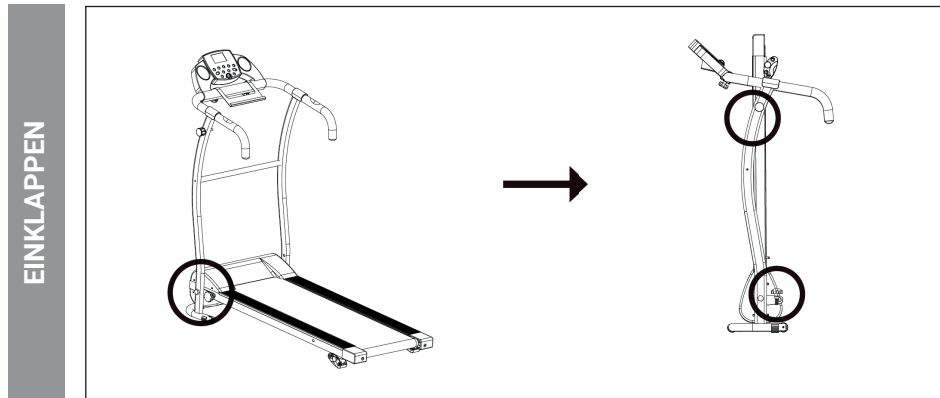
Schritt 5



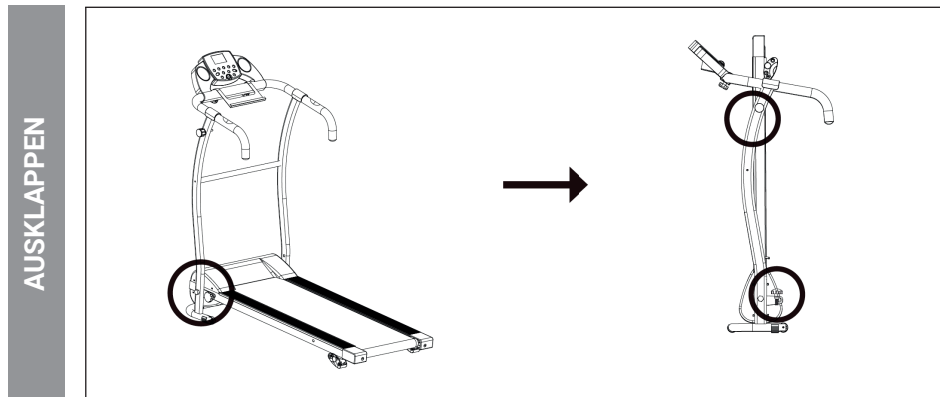
Verbinden Sie das Signalkabel (A) des Bedienfelds mit dem Signalkabel auf dem Rahmen (B).

ANLEITUNG ZUM EIN- UND AUSKLAPPEN

DE



Schrauben Sie nach der Benutzung die Sicherheitsverriegelung vom unteren Rahmen ab und legen Sie diese in den Sicherheitsverriegelungshalter, klappen Sie das Laufband ein und ziehen Sie zum Lösen den Federstecker aus dem oberen Rahmen heraus, um das Laufband in einer aufrechten Position zu verriegeln.



Lösen Sie den Federstecker und lassen Sie den unteren Rahmen auf den Boden herab. Schrauben Sie die Sicherheitsverriegelung an den unteren Rahmen, um den oberen Rahmen in einer aufrechten Position zu verriegeln.

GEBRAUCHSANLEITUNG



Safety Key

Um das Laufband zu starten, muss der Safety Key am Bedienfeld (gelber Kreis) und Ihrer Kleidung befestigt sein. Beachten Sie, dass das Laufband nicht starten wird, solange Sie dies nicht tun. Sie können das Laufband jederzeit STOPPEN, indem Sie den Safety Key vom Bedienfeld abziehen – das Laufband wird sofort STOPPEN.

Starten des Laufbands

Schalten Sie den Strom an der Wand ein, schalten Sie den roten Netzschalter auf der Rückseite des Laufbands ein und setzen Sie den Safety Key auf das Bedienfeld. Drücken Sie jetzt die START-Taste - das Bedienfeld wird piepen und das LCD-Display wird aufleuchten – das Laufband ist jetzt im Standby-Modus.

Wählen Sie nun den manuellen Modus oder ein voreingestelltes Programm entsprechend der Anweisungen unten.

Auswahl der voreingestellten Programme

Es gibt 12 voreingestellte Programme für Sie zur Auswahl - siehe die Tabelle unten und die Grafiken auf dem Bedienfeld, um den Schwierigkeitsgrad für jedes Programm zu ermitteln.

1. Um ein voreingestelltes Programm auszuwählen, drücken Sie die PROG-Taste, um zwischen den Programmen zu wechseln.
2. Ändern Sie jetzt die ZEIT durch Verwendung der Speed + und Speed - Tasten, drücken Sie dann die START-Taste, um das Laufband zu starten und ein 3-sekündiger Countdown beginnt (Zeitbereich 5-99 Minuten).

Hinweis: Ein 3-sekündiger Countdown beginnt jedes Mal, wenn das Programm bereit ist, die Geschwindigkeit zu ändern.

Halten Sie sich während Geschwindigkeitsänderungen an den Handgriffen fest, um sicherzustellen, dass Sie nicht vom Laufband fallen und ziehen Sie den Safety Key ab, um das Laufband zu stoppen, wenn Sie sich instabil fühlen oder fallen.

Hinweis: Die Geschwindigkeiten für die voreingestellten Programme sind festgelegt und können nicht geändert werden.

Die Geschwindigkeit ändert sich in jedem Zeitintervall entsprechend der Tabelle unten (das Zeitintervall ist von der eingestellten Zeit abhängig)

Programm	Geschwindigkeit (km/h) pro Segment																			
P1	2	3	3	4	5	3	4	5	5	3	4	5	4	4	4	2	3	3	5	3
P2	2	4	4	5	6	4	6	6	6	4	5	6	4	4	4	2	2	5	4	2
P3	2	4	4	6	6	4	7	7	7	4	7	7	4	4	4	2	4	5	3	2
P4	3	5	5	6	7	7	5	7	7	8	8	5	9	5	5	6	6	4	4	3
P5	2	4	4	5	6	7	7	5	6	7	8	8	5	4	4	6	5	5	4	2
P6	2	4	3	4	5	4	8	7	5	7	8	3	6	4	4	2	5	4	3	2
P7	2	3	3	3	4	5	3	4	5	3	4	5	3	3	3	6	6	5	3	3
P8	2	3	3	6	7	7	4	6	7	4	4	4	6	7	4	4	4	2	3	2
P9	2	4	4	7	7	4	7	8	4	8	9	9	4	4	4	5	6	3	3	2
P10	2	4	5	6	7	5	4	6	8	8	6	6	5	4	4	2	4	4	3	3
P11	3	4	5	9	5	9	5	5	5	9	9	5	5	5	9	9	8	7	6	3
P12	2	5	8	10	7	7	10	10	7	7	10	10	6	6	9	9	5	5	4	3

Manueller Modus

Um den Manuellen Modus auszuwählen, betätigen Sie die MODUS-Taste.

Verwenden Sie die Speed + und Speed - Tasten, um die Standardeinstellung der ZEIT oder ENTFERNUNG zu ändern.

Betätigen Sie nun die START-Taste und ein 3-sekündiger Countdown beginnt.

Verwenden Sie die Quick Start Speed-Tasten oder die Speed + und Speed - Tasten, um die Geschwindigkeit zu ändern.

Anhalten des Laufbands

Um das Laufband jederzeit anzuhalten, betätigen Sie einfach die STOP-Taste oder entfernen Sie den Safety Key vom Bedienfeld.

Abschalten des Laufbands

Wenn Sie fertig sind, betätigen Sie die STOP-Taste, schalten den roten Netzschalter auf der Rückseite des Laufbands AUS, schalten den Strom an der Wand AB und entfernen den Stecker aus der Wand.

Siehe auch den Abschnitt *Wartung*, um weitere Informationen über die Wartung Ihres Laufbands zu erhalten.

WARTUNG DES LAUFBANDS

Das Schmieren unter dem Laufband sorgt für eine hervorragende Leistung und verlängert die Lebensdauer. Tragen Sie nach den ersten 25 Betriebsstunden (bzw. 2-3 Monaten) etwas Schmiermittel auf und wiederholen Sie den Vorgang für alle folgenden 50 Betriebsstunden (bzw. 5-8 Monate).

So überprüfen Sie das Laufband auf ordnungsgemäße Schmierung

Heben Sie eine Seite des Laufbands an und berühren Sie die Oberseite des Laufdecks. Wenn sich die Oberfläche glatt anfühlt, ist keine weitere Schmierung erforderlich. Wenn sich die Oberfläche trocken anfühlt, tragen Sie etwas Schmiermittel auf.

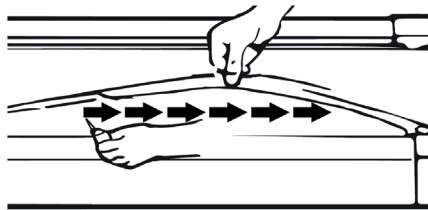
Auftragen von Schmiermittel

Heben Sie eine Seite des Laufbands an.

Gießen Sie etwas Schmiermittel unter die Mitte des Laufbands auf die Oberseite des Laufdecks.

Gehen Sie 3 bis 5 Minuten lang mit langsamer Geschwindigkeit auf dem Laufband, um das Schmiermittel gleichmäßig zu verteilen.

HINWEIS: Tragen Sie NICHT zu viel Schmiermittel auf. Überschüssiges austretendes Schmiermittel sollte weggewischt werden.



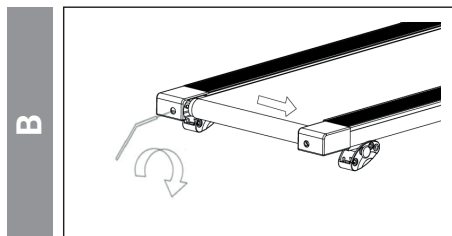
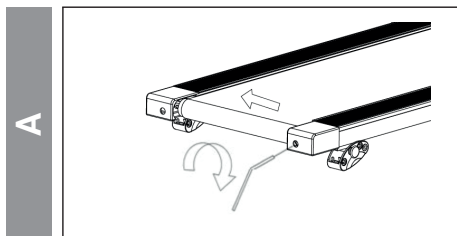


JUSTIERUNG DES LAUFBANDS

DE

Wir empfehlen Ihnen dringend, die Justierung des Laufbands zu überprüfen, wenn Sie es aus der Box nehmen, um sicherzustellen, dass diese sich während des Transports und davor nicht verschoben hat. Kontrollieren Sie die Justierung auch nach jedem Training, um Verletzungen zu vermeiden.

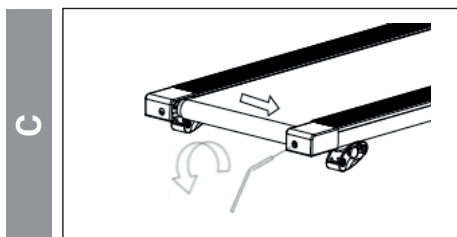
Justieren Sie die linke und rechte Seite gleichzeitig, um das Laufband straff und zentriert zu halten.



JUSTIERUNG EINES LOCKEREN LAUFBANDS

Durch die Benutzung wird das Laufband locker. Eine einfache Möglichkeit zu überprüfen, ob das Laufband locker ist, ist eine Wölbung in der Bandmitte. Wenn Sie auf dem Band laufen und es sich instabil anfühlt (wackelig) oder Ihre Füße auf dem Band kleben, STOPPEN Sie das Laufband sofort und straffen Sie es, um Verletzungen vorzubeugen.

1. Stellen Sie das Laufband auf eine ebene Oberfläche.
2. Um die Straffheit des Bands anzupassen, STOPPEN Sie das Laufband.
3. Verwenden Sie den mitgelieferten Inbusschlüssel und drehen die Endkappenschraube eine $\frac{1}{4}$ Umdrehung in Uhrzeigerrichtung - siehe Abbildung C.
4. STARTEN Sie das Laufband auf einer mittleren Geschwindigkeit - überprüfen Sie, ob das Band zentriert ist, wenn nicht, drehen Sie die Schraube jeweils eine $\frac{1}{4}$ Umdrehung in Uhrzeigerrichtung, bis das Band zentriert ist.



51



WARTUNG

Die regelmäßige Wartung wird die Lebensdauer Ihres Laufbands verlängern und Verletzungen vorbeugen. Wir empfehlen dringend, dass Sie folgende Maßnahmen in regelmäßigen Abständen durchführen:

1. Entfernen Sie nach dem Gebrauch das Netzkabel aus der Wand, insbesondere, wenn Kinder im Haus sind.
2. Es ist besonders wichtig, das Laufband, die Sicherheitsseitenschienen und den Boden unter dem Laufband sauber sowie staub- und schmutzfrei zu halten, um erhöhte Abnutzung des Laufbands zu vermeiden.
3. Reinigen Sie das Laufband nach der Benutzung mit einem trockenen Lappen, um das Bedienfeld und die Bereiche um den Netzschalter herum zu reinigen - verwenden Sie ein weiches Tuch und Reinigungsmittel, um hartnäckige Flecken und Schmutz vom Laufband zu entfernen.
4. Überprüfen Sie die Justierung des Laufbands jedes Mal, bevor Sie das Laufband benutzen (es wird sich mit der Benutzung verschieben) - siehe auch den Abschnitt Justierung des Laufbands oben.
5. Halten Sie das Laufband geschmiert - siehe auch den Abschnitt Wartung des Laufbands.
6. Stellen Sie das Laufband an einem sicheren trockenen Platz auf und schützen Sie es vor Hitze und Wasser.



Helfen Sie, die Umwelt zu schützen!
Bitte die vor Ort geltenden Vorschriften beachten: Nicht mehr funktionierende Elektrogeräte zu einer entsprechenden Entsorgungsstelle bringen.

PROBLEMEN OPLOSSEN

DE

REF	PROBLEM	LÖSUNG
1	AUF DEM BEDIENFELD WIRD NICHTS ANGEZEIGT	Prüfen Sie, ob die Netzsteckdose und der Schalter auf der Rückseite des Laufbands eingeschaltet sind. Prüfen Sie, ob die Kabel des Bedienfeldsensors mit dem Rahmen (A) und (B) verbunden sind - siehe auch die Montageanleitung oben. Setzen Sie den Safety Key-Magneten auf den gelben Kreis auf dem Bedienfeld und befestigen Sie das Sicherheitskabel an Ihrer Kleidung. Betätigen Sie die START-Taste auf dem Bedienfeld - das Laufband sollte sich nach 3 Sekunden bewegen. Wenn es keine Veränderung gibt, versuchen Sie es mit einer anderen Netzsteckdose. Hinweis: Das Bedienfeld wird sich automatisch ausschalten, wenn es nicht benutzt wird. Sollte dies nicht helfen, rufen Sie die Kundenbetreuung an.
2	DAS BEDIENFELD IST AN UND DER MOTOR FUNKTIONIERT NICHT	Überprüfen Sie die Spannung - sie könnte niedrig sein. Versuchen Sie es mit einer anderen Steckdose. Prüfen Sie, ob der Safety Key am Bedienfeld befestigt ist. Wenn dies zu keiner Veränderung führt, rufen Sie die Kundenbetreuung an.
3	DAS LAUFBAND IST LOCKER	Siehe den Abschnitt Wartung des Laufbands oben. Wenn dies zu keiner Veränderung führt, rufen Sie die Kundenbetreuung an.
4	DAS LAUFBAND HAT SICH NACH RECHTS ODER LINKS BEWEGT	Siehe den Abschnitt Wartung des Laufbands oben. Wenn dies zu keiner Veränderung führt, rufen Sie die Kundenbetreuung an.
5	DAS ANTISTATIKUM IST ABGENUTZT	Schmieren Sie das Laufband nach ca. 80 Betriebsstunden oder machen Sie den Test und versuchen Sie Ihre Hand zwischen dem Brett und dem Band zu reiben, um zu sehen, ob es trocken ist. Siehe den Abschnitt Wartung des Laufbands oben.

53



BluMill



Distributed by: **OCG Retail**

Emnesserweg 11-10

1251 NA Laren

the Netherlands

klantenservice@omnichannelgroup.com



www.blumill.shop