

# TUNABLE TROFFER INSTALLATION GUIDE

## Installation Instruction

### ⚠ WARNING

- To reduce the risk of death, personal injury or property damage from fire, electric shock, falling parts, cuts/abrasions, and other hazards read all warnings and instructions included with and on the fixture box and all fixture labels.
- Before installing, servicing, or performing routine maintenance upon this equipment, follow these general precautions.
- Commercial installation, service and maintenance of luminaires should be performed by a qualified licensed electrician.
- For the installation: If you are unsure about the installation or maintenance of the luminaires, consult a qualified licensed electrician and check your local electrical code.
- To prevent wiring damage or abrasion, do not expose wiring to edges of sheet metal or other sharp objects.
- Do not make or alter any open holes in an enclosure of wiring or electrical components during kit installation.

### ⚠ WARNING

- Turn off electrical power at fuse or circuit breaker box before wiring fixture to the power supply.
- Turn off the power when you perform any maintenance.
- Verify that supply voltage is correct by comparing it with the luminaire label information.
- All wiring connections should be capped with UL approved wire connectors.

### ⚠ CAUTION

- Avoid direct eye exposure to the light source while it is on.
- Account for small parts and destroy packing material, as these may be hazardous to children.
- Risk of burn. Disconnect power and allow fixture to cool before changing bulb or handling fixture.

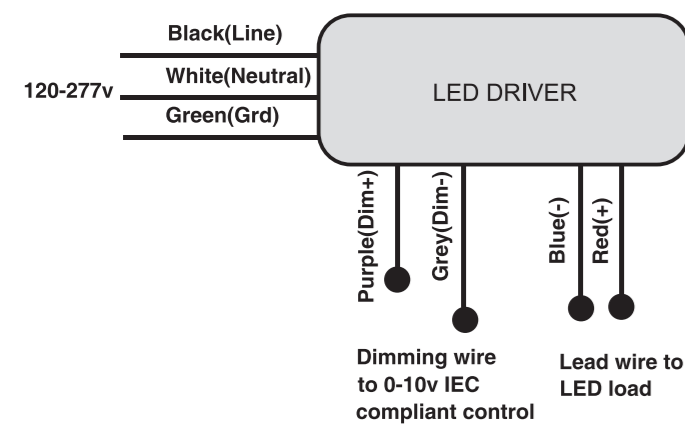
**NOTICE:** Green ground screw provided in proper location. Do not relocate.

**NOTICE:** Minimum 90° supply conductors.

**NOTICE:** Specifications and dimensions subject to change without notice.

**NOTICE:** Suitable for Dry or Damp location, Type IC.

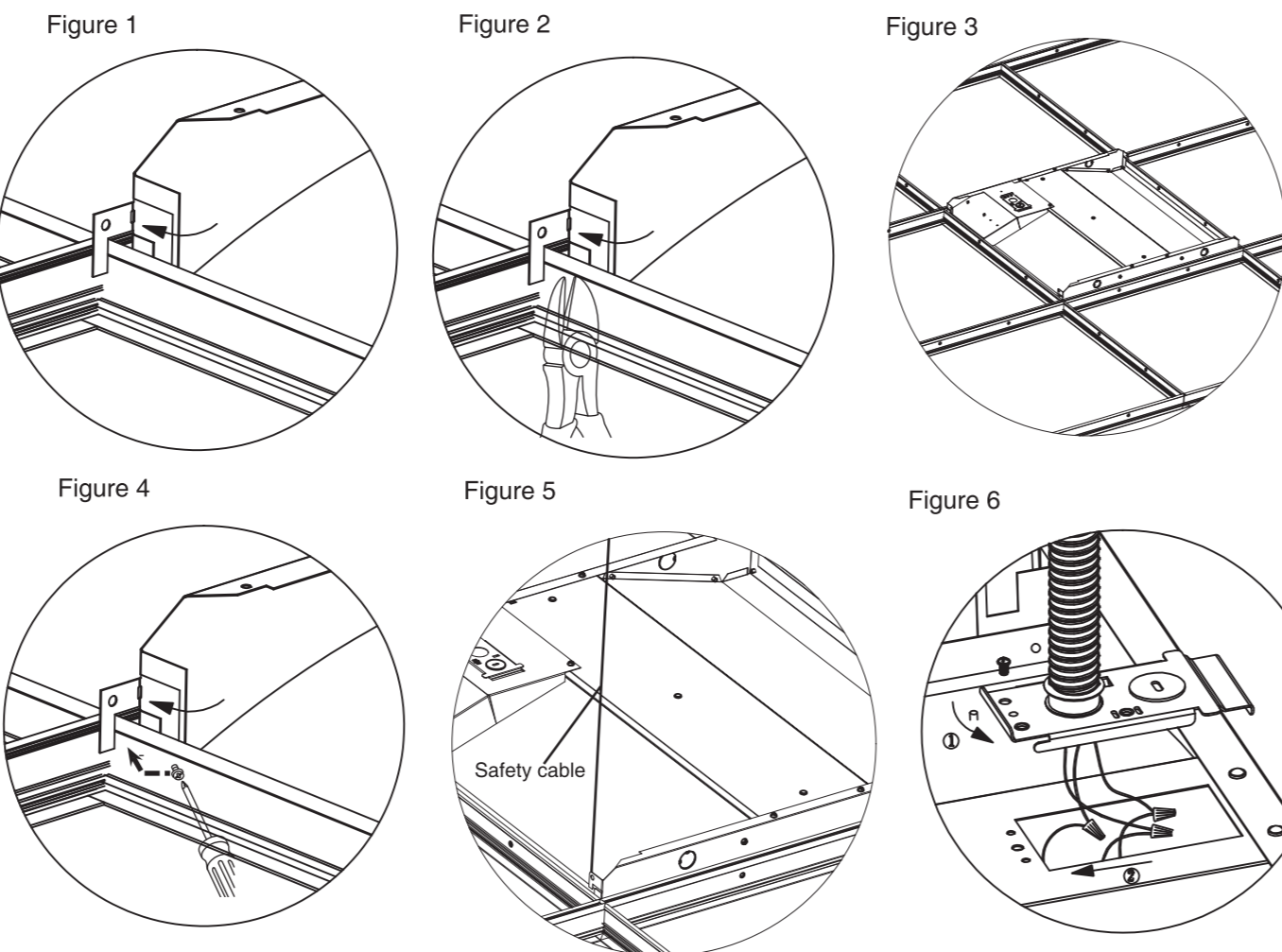
### General Wiring Diagram



## Installation Instruction

### INSTRUCTIONS:

Always turn off the power supply from main circuit breaker first!



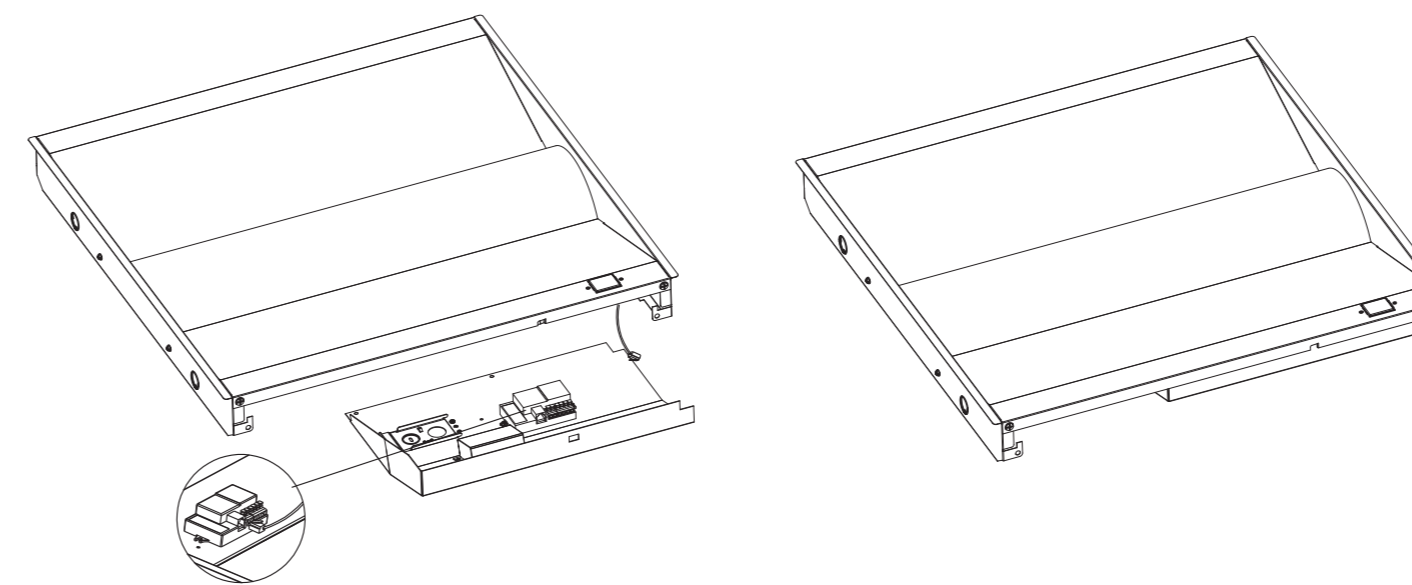
### Installation Steps:

- Figure 1: Bend out mounting tab 90 degrees on each corner.  
 Figure 2: Use side cutters to adjust each tab to height of T-grid.  
 Figure 3: Lay fixture into T-grid.  
 Figure 4: Bend tabs flush against T-grid in order to clear corner for ceiling tile.  
 Figure 5: Use a #8x1/4" sheet metal screw to fasten fixture to T-grid and use a hanger wire to tie off appropriately in accordance with local building codes (screws and hanger wires supplied by others).  
 Figure 6: Ensure that the wiring of the last fixture in the row is properly terminated. Then make all electrical connections to the fixture. Attach the wiring access cover plate.

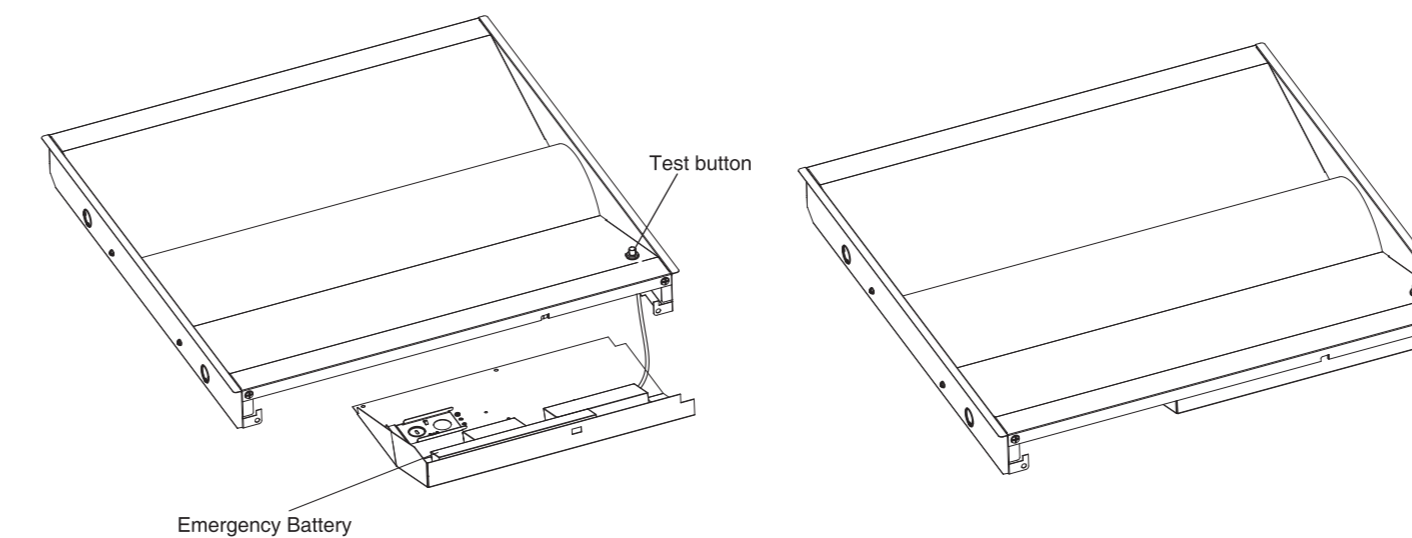
## Installation Instruction

### Additional Accessories

- Microwave Motion Sensor

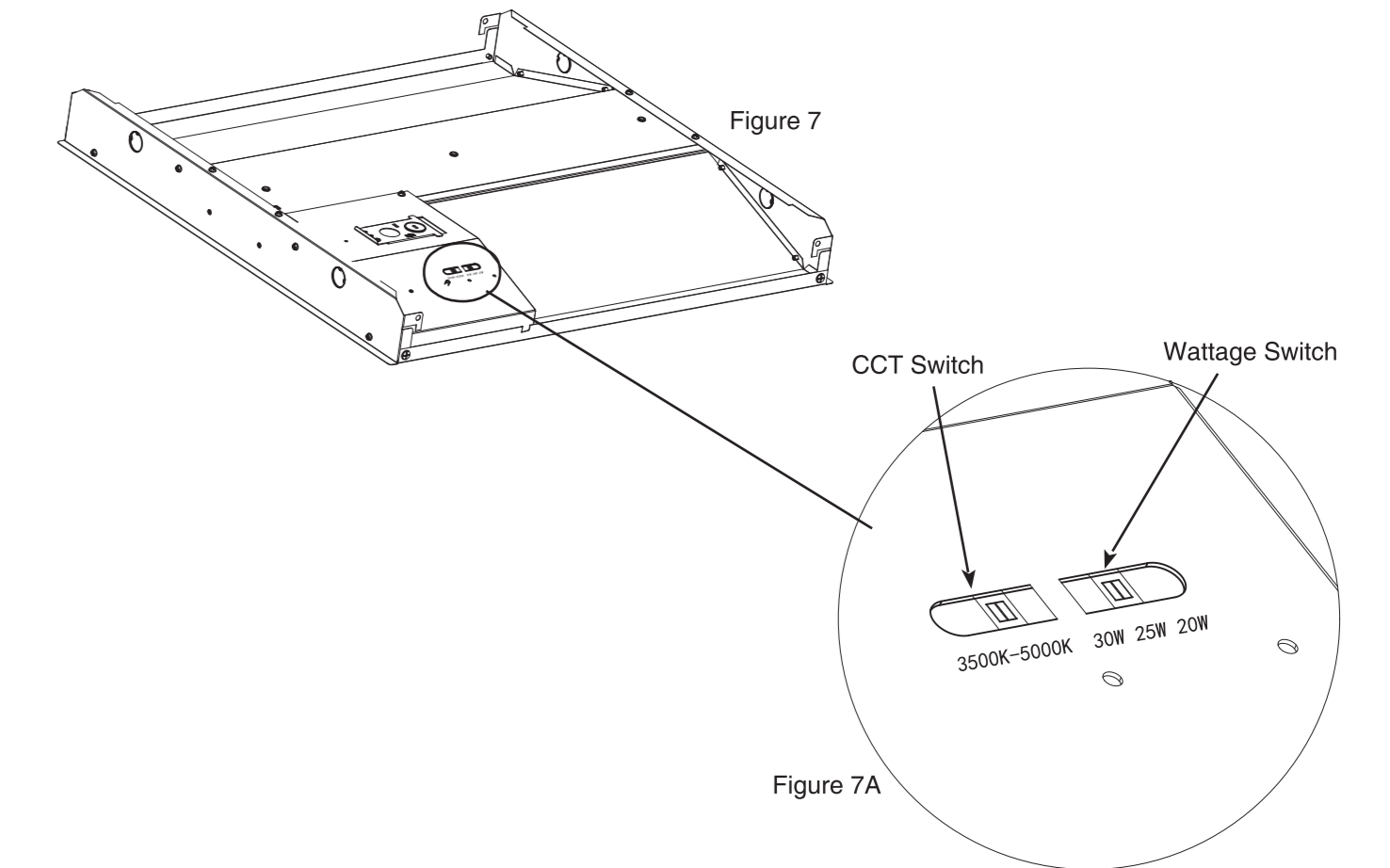


- Emergency Battery Back-up



## Installation Instruction

### Field-Adjustable Wattage & CCT



The end users may adjust the color temperature and lumen output respectively by the two DIP switch buttons integrated into the driver. Each DIP switch is accommodated with 3 options (left, middle and right), corresponding to 3 color temperatures and 3 powers respectively, which can perform the desired color temperature and lumen output combination.

Factory Settings: 5000K, 25W

1. DIP switches are located onto the driver box. (see Fig. 7)
2. Select a wattage and color temperature by sliding switch left or right respectively to the desired value. (see Fig. 7A)