




LAPAINDUSTRIES[®]

LED Post Top Light



APPLICATIONS

	Street & Tunnel
	Park
	Gas Station
	Parking
	Industrial Site

Product Description:



Cooling channels allow vertical airflow



Optional Mount



Photo control



480V Max Receptacle

Product Description:

This post top provides a subtle but stylish look for any job site. It is designed to save energy and reduce installation time. Optional photocell options allow for additional energy savings.

Optional Kelvin color* with adder.

Features:

LISTING

- ▶ UL and CUL listed for WET LOCATIONS.

HOUSING

- ▶ Corrosion resistant heavy duty-cast aluminum construction. Standard 2 3/8" open on the bottom. Pass 3 G vibration testing.
- ▶ Wiring Compartment on the Top for easy access and ease of installation.

FINISH

- ▶ Superior powder coat finish to withstand the toughest weather

OPTIONS

- ▶ Precision injection-molded, UV polycarbonate Optic Lens
- ▶ Optional photocell with adder
- ▶ Optional 347V with adder



Performance Data

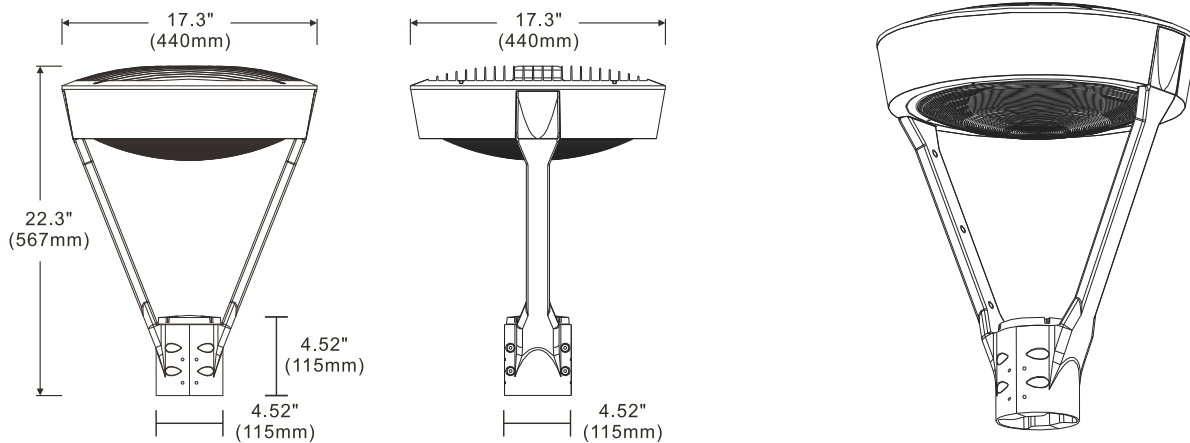
Model No.	System Watts	Dist. Type	Lumens	Lpw	B	U	G
LP-053-UNV-7-XX-T5-XX	53W	Type VS	7004 lm**	133 lm/W	4	3	3
LP-082-UNV-7-XX-T5-XX	82W	Type VS	10200 lm**	125 lm/W	4	3	3
LP-136-UNV-7-XX-T5-XX	136W	Type VS	14549 lm**	107 lm/W	4	3	3

Specification:

Example

Model No.	SystemWatts	Input Voltage	CRI	Color Temp	Distribution	Option	Finish	Starting Temp
						Accessories		
053=53W 082=82W 136=136W	UNV=120-277V	7=70+	40=4000 K 50=5000 K	T5=Type VS	XS=10kv Surge OS=Occupancy Sensor	BZ=Bronze WT=White	-40°C	

Dimension:



* Different LED Kelvin temperature available with 4-6 week lead time. Please call for a quote.

** DISCLAIMER: This test report was produced in accordance with IES LM-79 photometric testing protocol for luminaires, using a single representative test fixture. Actual production units may vary from the values reported here by up to ±10%.