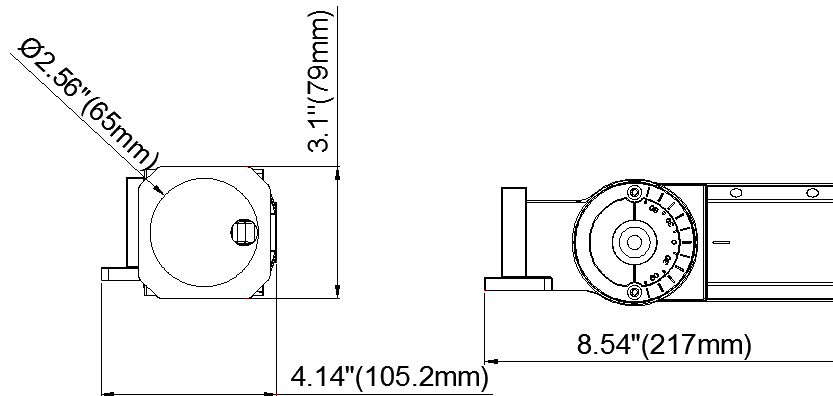


MOUNTING GUIDES

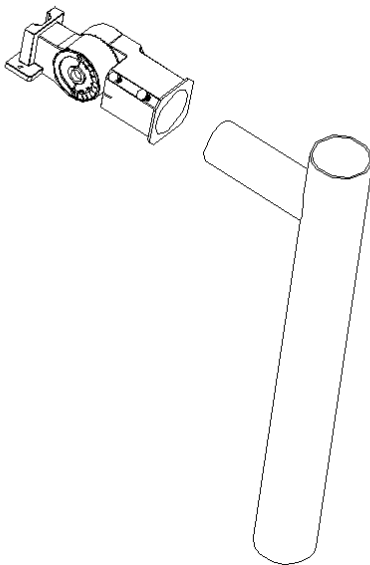
I S: SLIP FITTER MOUNTING

Dimensions of the slip fitter



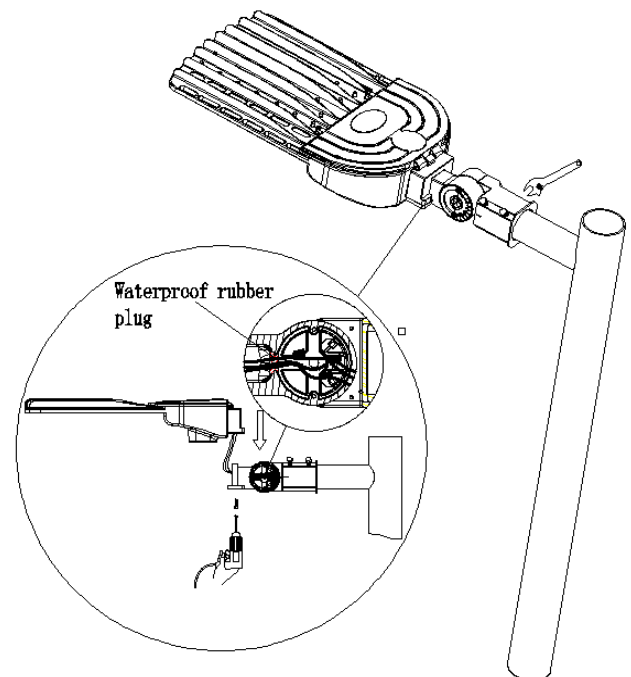
Step 1

Insert SLIP FITTER into the mounting arm of the lamppost and tighten the screws of the mounting arm (be careful that not to press the AC line in the lamppost).



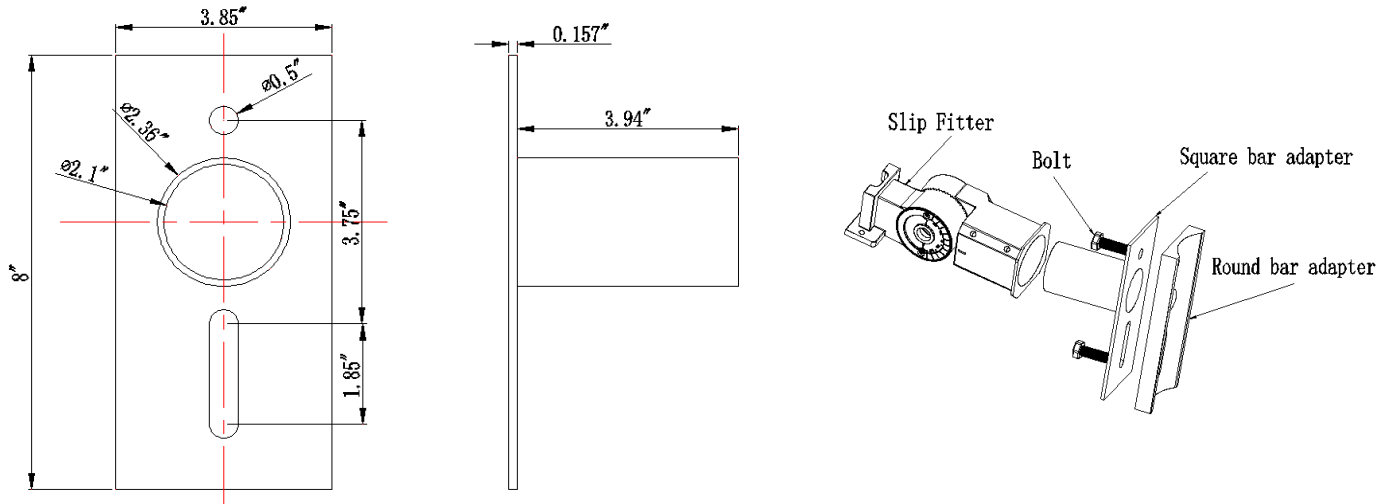
Step 2

As shown in the picture, the light is hung in the installation arm and the screw is fixed, the required angle is adjusted, then the AC line is connected in the connection box of the installation arm and then lighten the lamp after the line is unmistakable.



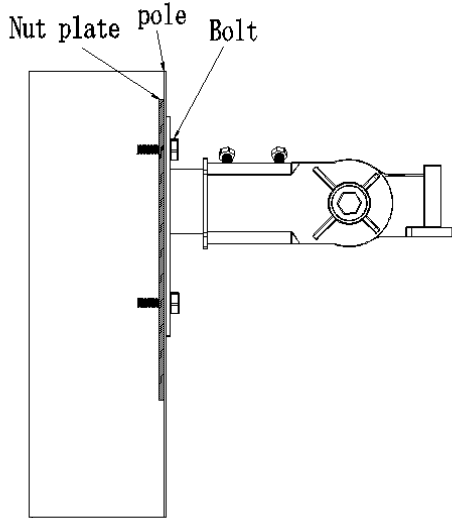
MOUNTING GUIDES

Slip fitter assembly drawing



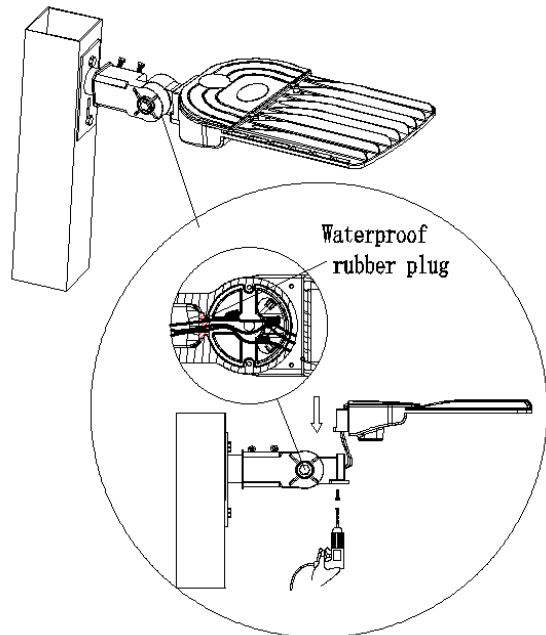
Step 1

Drill holes on the square rods to match the adapter heads, and use the bolts and nut plates to fix the adapter on the square lamppost.



Step 2

As the picture is shown, hang the lamp in the mounting arm and fix the luminaire with bolts. After connecting the AC line, check the line connection, then turn on the electricity again.

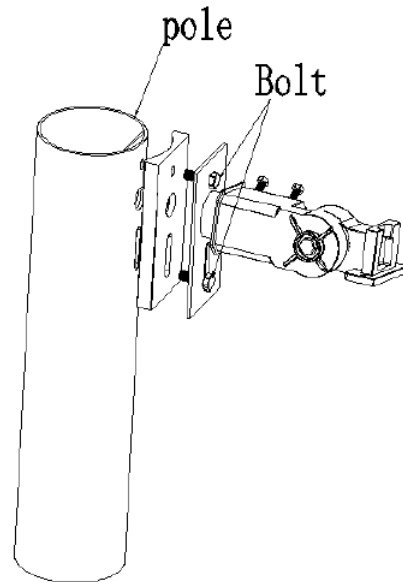


MOUNTING GUIDES

A2: SLIP FITTER MOUNTING FOR ROUND POLE

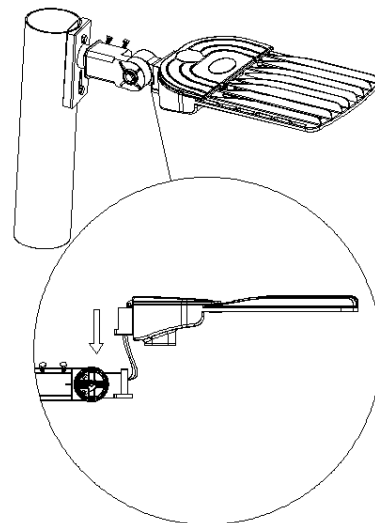
Step 1

Drill holes on the round rod to connect with the adapter, and fix the adapter on the circular lamppost with bolts and nut plates.



Step 2

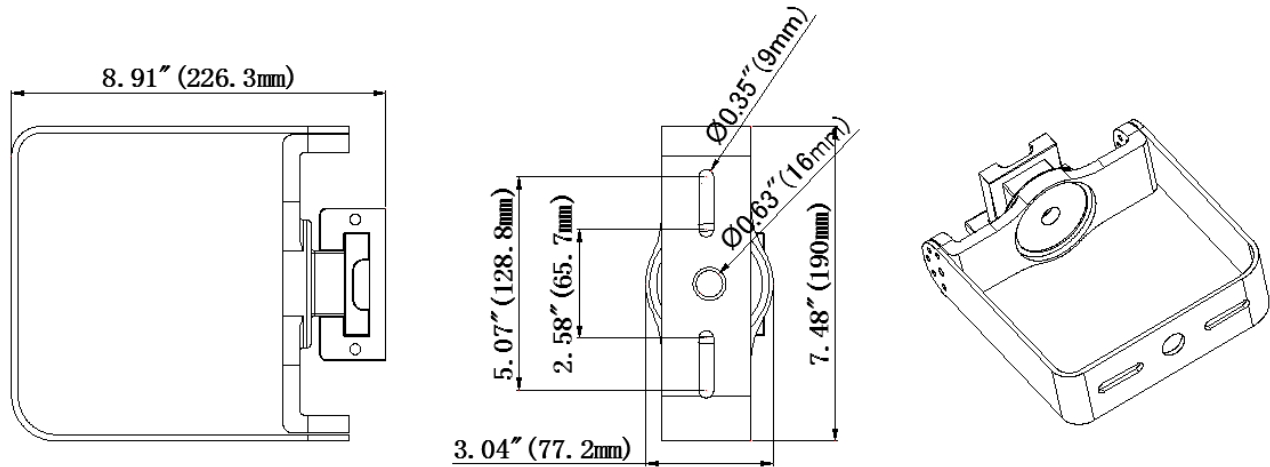
As the picture is shown, hang the lamp in the mounting arm and fix the luminaire with bolts. After connecting the AC line, check the line connection, then turn on the electricity again.



MOUNTING GUIDES

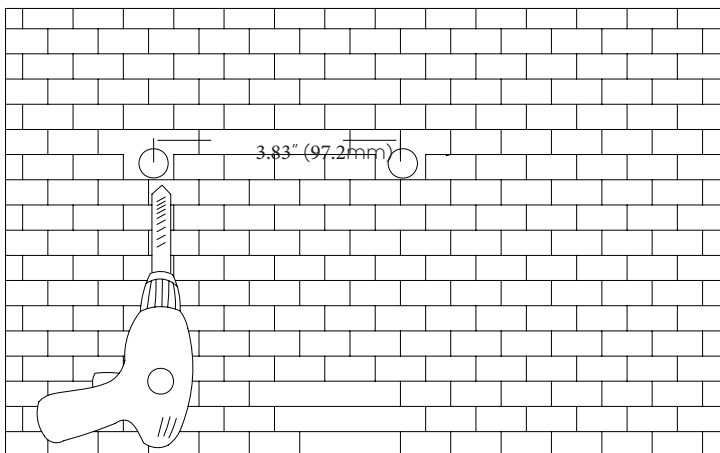
II T: TRUNNION MOUNTING

Dimensions of the trunnion



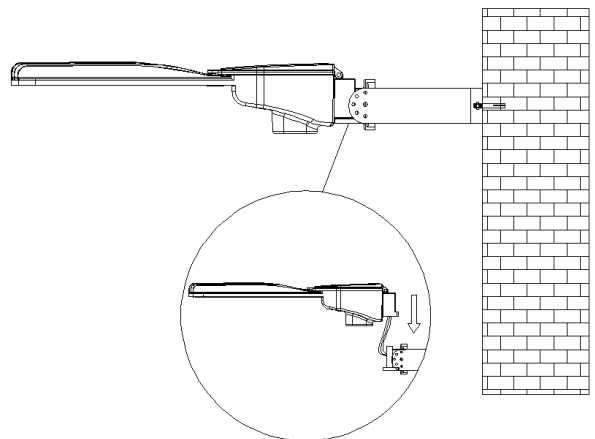
Step 1

Drill two holes on the wall corresponding to the holes on the trunnion, and knock expansion screws into the holes.



Step 2

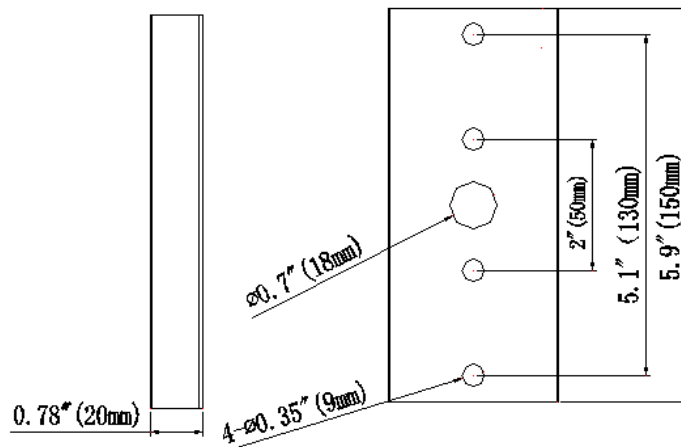
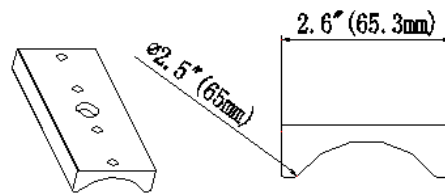
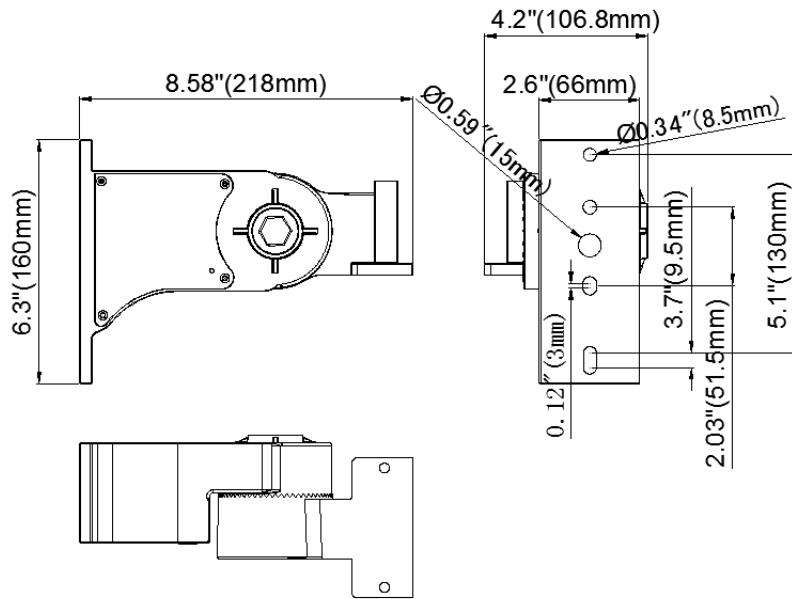
As shown in the picture, hang the lamp on the Trunnion and fix the lamp on the installation arm, adjust the required angle, connect the AC line and check the line and turn on the electricity.



MOUNTING GUIDES

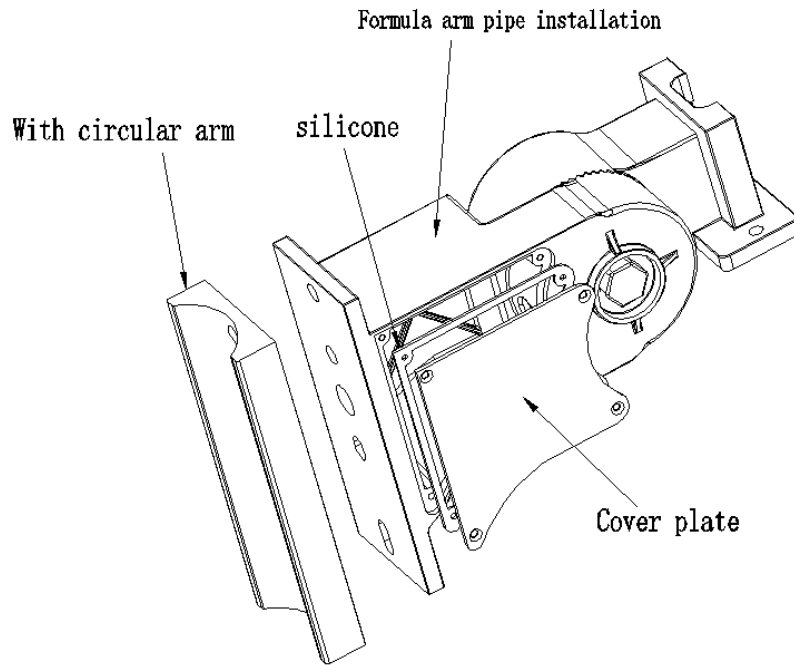
III A1: ARM MOUNTING FOR SQUARE POLE

Arm dimensions



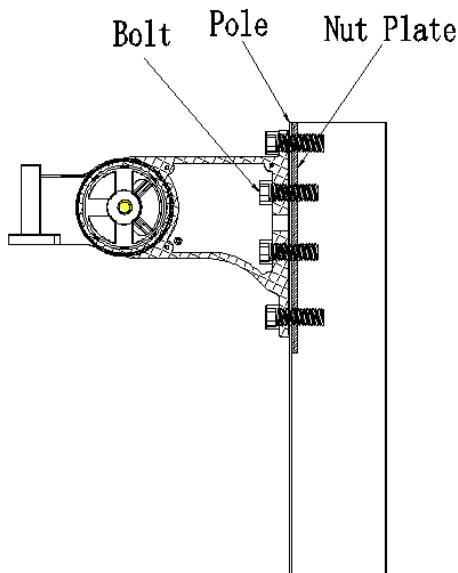
MOUNTING GUIDES

Arm assembly drawing



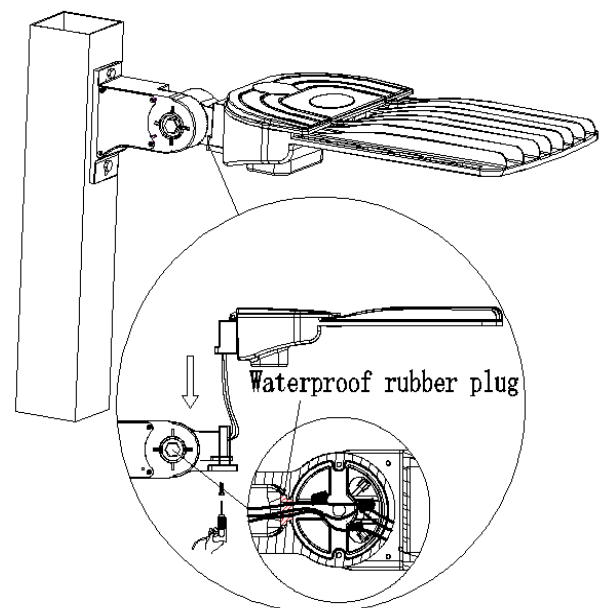
Step 1

Drill holes on the square rods and connect the adapter to the square lamppost with bolts and nut plates.



Step 2

As shown in the picture, hang the luminaire into the mounting arm and fix the luminaire with bolts. Connect the AC line and check then turn on the electricity.

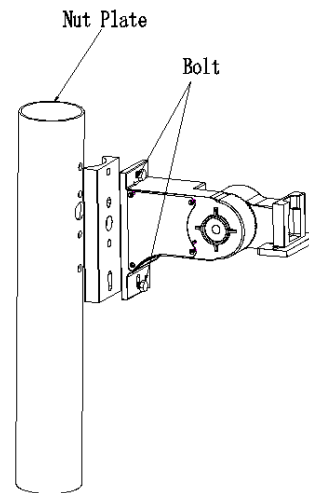


MOUNTING GUIDES

IV A2: ARM MOUNTING FOR ROUND POLE

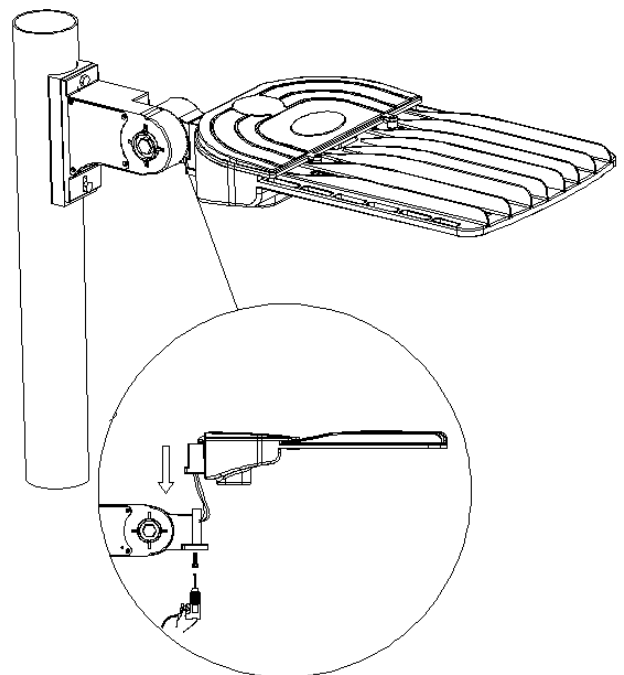
Step 1

Drill holes on the round rod to connect with the adapter, and fix the adapter on the square lamppost with bolts and nut plates.



Step 2

As shown in the picture, hang the luminaire into the mounting arm and fix the luminaire with bolts. Connect the AC line and check then turn on the electricity.

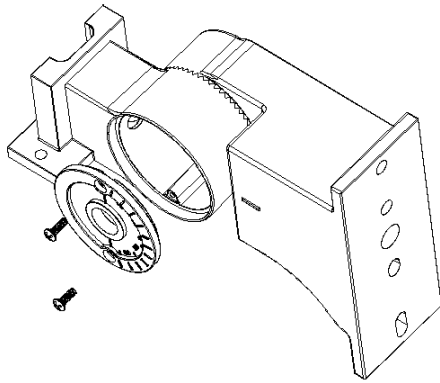


MOUNTING GUIDES

Arm with Photocell Installation

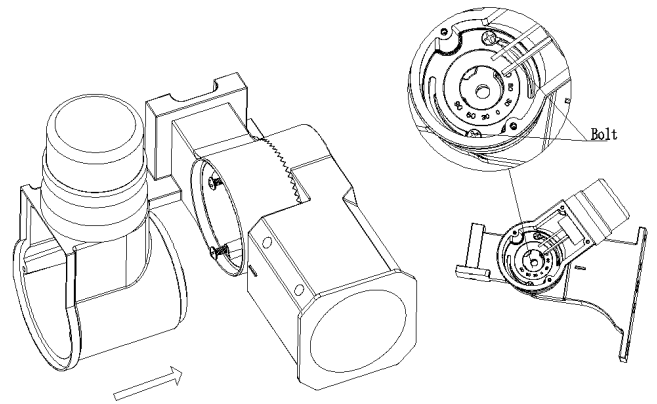
Step 1

As shown in the picture, open the connection box cover of the steering arm.



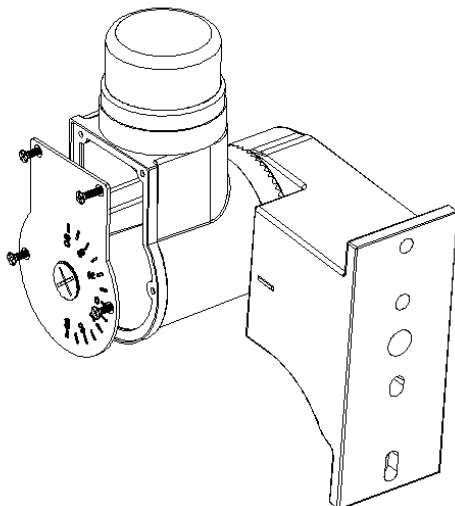
Step 2

As shown in the picture, the holes of the photocell in the junction box match with the screws of the mounting arm, then rotation and adjust the direction of the photocell, to ensure that the photocell is perpendicular to the ground.



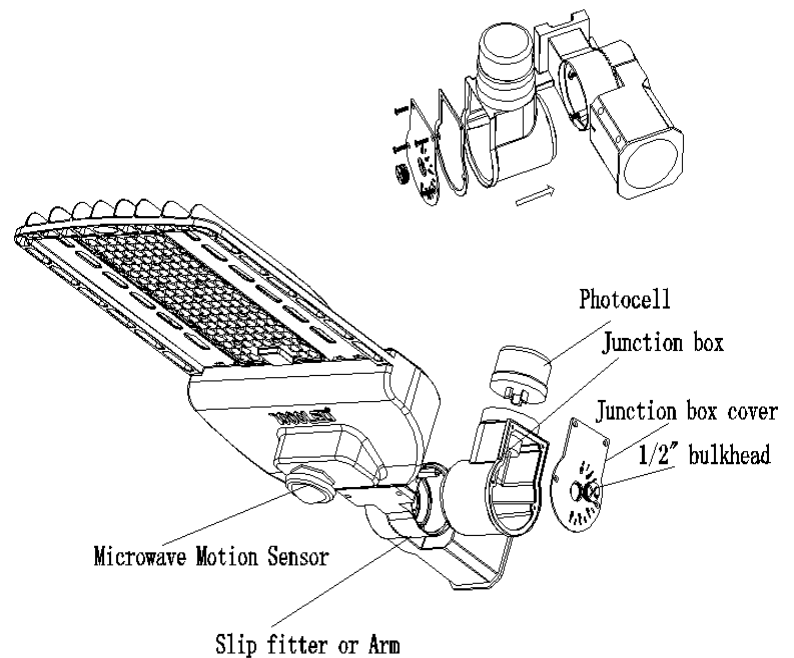
Step 3

Connect the photocell base with AC line and check it correctly. As the picture is shown, lock the junction box cover and turn on the electricity.



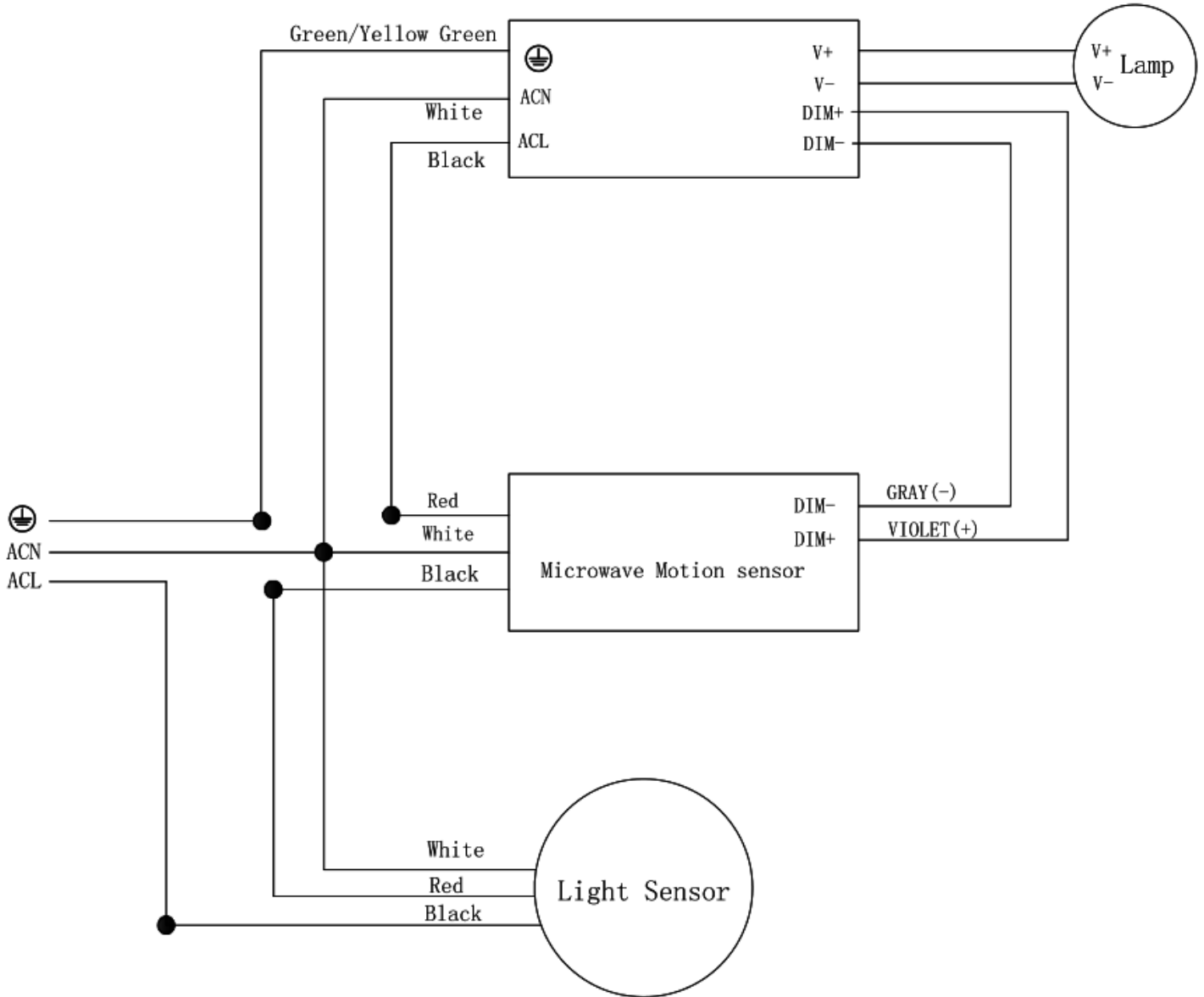
Step 4

Assembly drawing



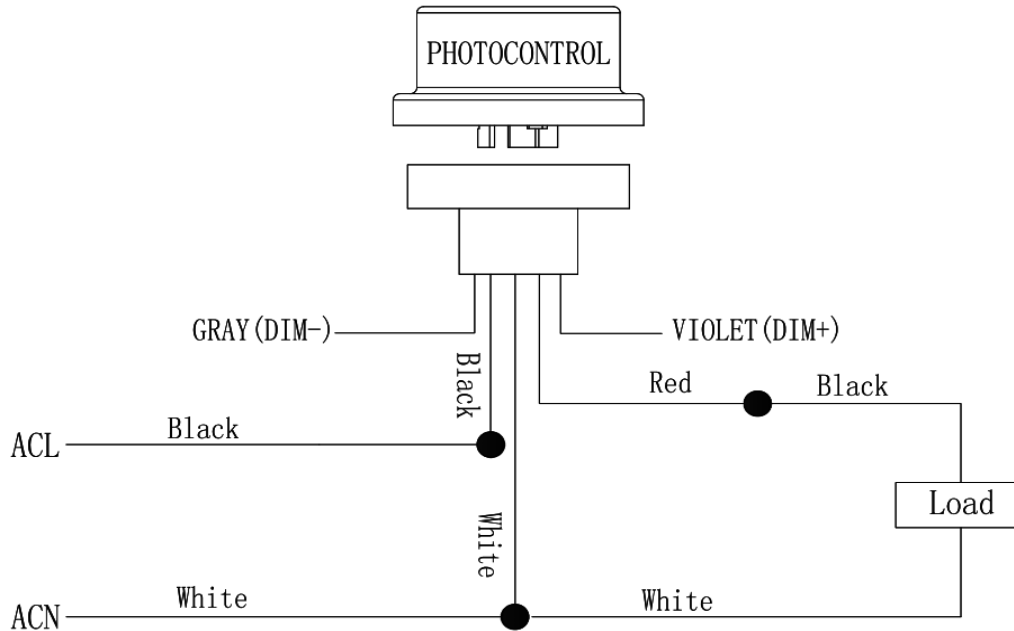
MOUNTING GUIDES

Wiring diagram as below.



MOUNTING GUIDES

Wiring drawing for photocell



V QUALITY ASSURANCE

- Quality assurance is based on proper storage, transportation, installation, using and maintenance
- Damages caused by man-made mistake or improper use are not covered by the warranty
- Risk of electrical shock!
- During the warranty period, the manufacturer will provide appropriate support and repair service according to the actual situation

A WARNINGS AND CAUTIONS

- The product must be installed according to the instructions. Installed by a person familiar with the product, production and product hazards.
- Avoid fire and electric shock. When install the lighting fixtures, you need to understand the electrical characteristics. If you are not sure, do not attempt to install. Please contact the electrician.
- Understand the structural features and dimensions of lighting before installation
- Do not drill holes or change internal lines when install