

## WALL PACK LIGHT



### PRODUCT FEATURES:

- ❖ Optical design, greatly improved the light utilization and evenness
- ❖ High efficiency LED Driver, voltage AC120-277 ;
- ❖ Cast Aluminum design, better cooling, light quality, LED Tj < 85°C.
- ❖ Photocell Control (Optional)

MODEL #	
PROJECT:	
NOTES:	
DATE:	
PREPARED BY:	

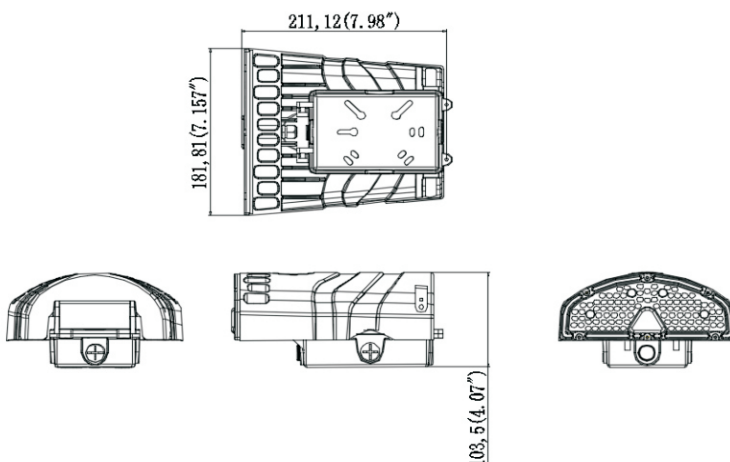
### Additional Information:

- Power: 45W
- Input: AC 120-277V
- CCT : 5000K
- Output: 6741 LM
- Light Source: LUMILEDS
- Driver: WELED POWER



### PRODUCT APPLICATIONS:

The 1000LED WALL PACK LED Lighting Series can be widely used for Indoor or Outdoor (Wet Location) Excellent for Museums, Art Galleries, Shopping Malls, Office Buildings, Walls and many other applications



### Structure Features:

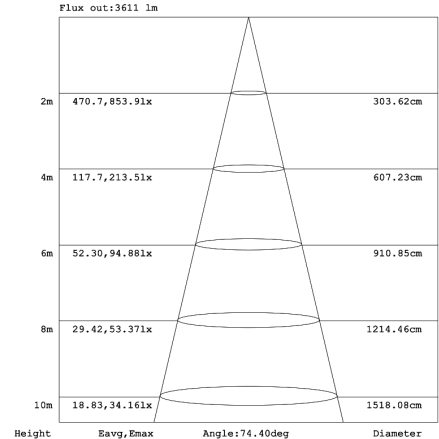
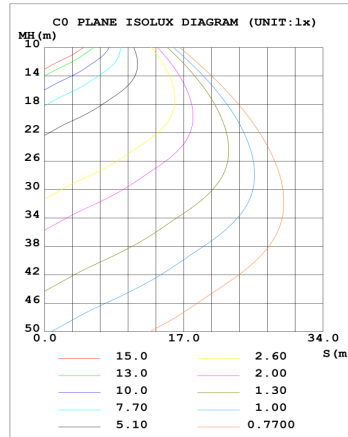
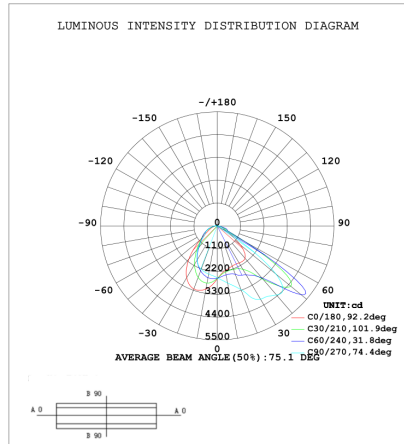
- Shell Materials: Aluminum & PC
- Finish: Dark Bronze/White
- Net Weight: 1.4KG (3.1 LBS)
- **Product Size: 211mm\*181mm\*103mm**
- **Carton Size: 525mm\*390mm\*370mm**

## WALL PACK LIGHT

### TECHNICAL PARAMETERS:

Type	1L-45WAWP27-XXK-Z		
Power	45W	Lighting Angle	74*92°
Input Voltage	AC120-277V	LED Brightness Decay	<5%/6000 hrs
PF	>0.98	Working Life	>75000 hrs
Driver Efficiency	>90%	Working Temperature	-30 - +45°C
Luminous Flux	6741 Lm	Storage Temperature	-40 -+80°C
Color Temperature	4000K/5000K	Protection Level	Wet Location/IP66
CRI	Ra>70	Cable	Input Connect, No Cable

### PHOTOMETRY:



### ORDERING EXAMPLE: 1L-45WAWP27-XXK-Z-P

1L	45W	AWP	27	XXK	Z	P
Company	Power	Product	Voltage	ColorTemp	FINISH	Control
1000LED	45W (45W) 70W (70W)	AWP Wall Pack	27 AC120-277V	40K (4000K) 50K (5000K) ± 500K	D Dark Bronze W White	P Photocell