



V E S S I L S[®]

ROLLING CART FOR KAMADO GRILL

Instruction Manual



IMPORTANT

- Carefully remove any packaging materials before assembly.
- Read these instructions and take note of all of the safety warnings carefully.

PARTS LIST

IMPORTANT

- Remove all packaging materials before use but keep the safety instructions with the product.
- Make sure the lid is closed prior to assembly.

Prior to assembly, check all parts against the parts list. Carry out assembly on a soft surface to avoid scratching the paint. For ease of assembly, only loosely tighten bolts to put the pieces together and then tighten fully when assembly is complete.

WARNING

DO NOT over-tighten bolts. Only tighten all bolts with moderate pressure to avoid damaging the bolts.



1 (4x)



3 (1x)



4 (1x)



2 (4x)



5 (2x)



6 (2x)

ASSEMBLY INSTRUCTIONS



A (16x)



D (4x)



B (4x)



E (4x)



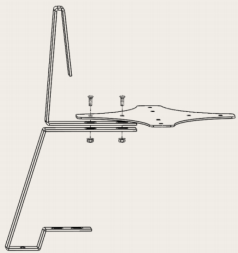
C (8x)



F (8x)

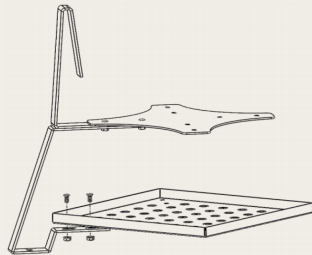
STEP 1

Secure the crosspiece (3) to the brackets (2&1) by using the 2x screws (C) and 2x nuts (A). Please refer to the graph shown in below.



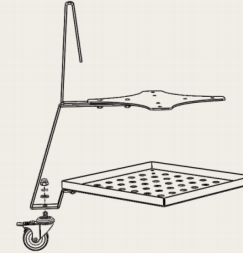
STEP 2

Secure the square plate (4) to the brackets (1) by using the 2x screws (F) and 2x nuts (A).



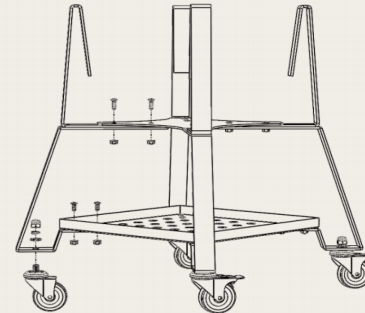
STEP 3

Attach the castor wheels (5 & 6) to the bracket (1). Use 1x dome-headed nut (D), 1x spring washer (B) and 1x flat washer (E) to secure each connection.



STEP 4

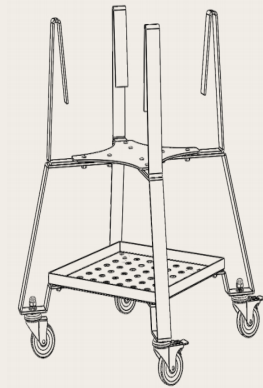
Repeat steps 1-3 to assemble the other three brackets.



STEP 5

Make sure the cart is secure, and all of the bolts are tight before placing the Kamado Grill into it. Press down on the castor levers (2) to lock the castor wheels to make sure the Kamado cannot move.

CAUTION: Please gently operate the grill (e.g., opening the lid) when the grill is on the cart to avoid knocking the set off balance.





For more information, please visit www.vessils.com

If you need any assistance or support, please email support@vessils.com with details. We will answer your email within 24 hours.