

4-Port Dual Monitor DP KVM Switch

USER MANUAL

ENJOY THE VIVID WORLD

DP · Dual

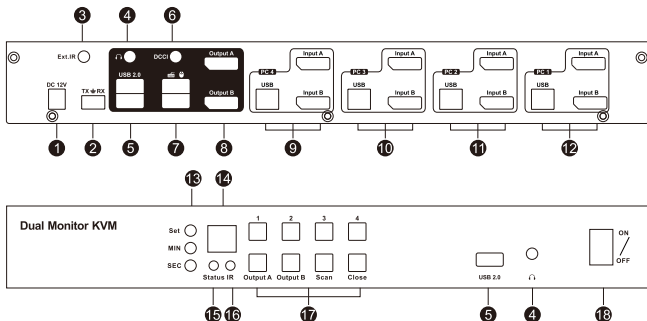
Features:

- Using only 1 set of keyboard, mouse and 2 monitors to control 4 computers
- Support 2 monitors to display the desktop of 1 computer or to display 2 desktops at the same time.
- Support Unix/Windows/Debian/Ubuntu/Fedora/Mac OS X/ Raspbian/Ubuntu for Raspberry Pi and other Linux basic system
- Support resolution up to 3840*2160@60HZ
- Support hot plug, disconnect or connect devices to the KVM at any time without turning off PC
- Support front panel button, keyboard hotkeys, IR remote control and RS232 to control KVM
- Available to use keyboard and mouse without any delay after switching input sources
- With extra USB 2.0 port, it is possible to connect bar code scanner, USB hard device or other USB device
- Support keyboard and mouse pass through mode to improve KVM compatibility
- Support auto switch to monitor computers in a specified time interval
- Support DCCI

Packing List

- 1 * Dual Monitor DP KVM Switch
- 1 * IR remote control
- 1 * IR Receiver cable
- 1 * DC 12V power adapter
- 1 * 3 Pins Connector(For RS232)
- 2 * Rack-eras
- 1 * AUX Cable
- 1 * User manual

Panel Description:



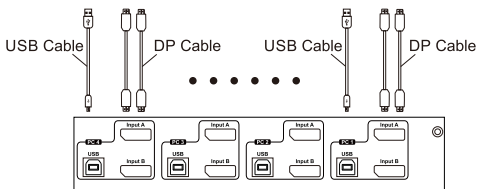
ID	Name	Description
1	DC 12V	DC 12V power supply
2	RS232 port	Connect this port to any control termination, then it is able to select the input sources by sending RS232 commands
3	Ext.IR	For extended IR receiver cable input
4	L/R audio output	Analog audio output, connect to speaker
5	Standard USB 2.0 port	Connect to USB 2.0 devices, printers, USB drives
6	DCCl port	Used for product cascading to realize simultaneous display of 4 monitors

ID	Name	Description
7	Keyboard and mouse input	Connect to keyboard and mouse
8	DP output ports	Connect to DP displays
9	PC 4 Input	<p>DP input A/B: Connect to the two outputs of the same computer</p> <p>USB: Connect to computer by USB Type A to Type B cable</p>
10	PC 3 Input	<p>DP input A/B: Connect to the two outputs of the same computer</p> <p>USB: Connect to computer by USB Type A to Type B cable</p>
11	PC 2 Input	<p>DP input A/B: Connect to the two outputs of the same computer</p> <p>USB: Connect to computer by USB Type A to Type B cable</p>
12	PC 1 Input	<p>DP input A/B: Connect to the two outputs of the same computer</p> <p>USB: Connect to computer by USB Type A to Type B cable</p>
13	Auto scan time interval settings	<p>[MIN]: Press [MIN] to loop between 0~59 minutes</p> <p>[SEC]: Press [SEC] to loop between 0~59 seconds</p> <p>[Set]: After setting minutes and seconds, press button [Set] to enter final scan time interval setting</p>

ID	Name	Description
14	LED display	Display current selected input port
15	Status LED	Red: Turn off auto scanning mode Green: Turn on auto scanning mode
16	IR receiver	Receive IR remote signal
17	Keypad	<p>[1~4]: Press button[1]~[4] to directly select input 1~4</p> <p>[Output A]: Keyboard and mouse focus on the desktop of output A in the display mode 2</p> <p>[Output B]: Keyboard and mouse focus on the desktop of output B in the display mode 2</p> <p>[Output A]+[1~4]: After pressing [Output A], then press [1~4] to switch input sources of output A</p> <p>[Output B]+[1~4]: After pressing [Output B], then press [1~4] to switch input sources of output B</p> <p>[Close]: Press this button to turn on or off the LED display and monitor</p> <p>[Scan]: Press this button to start or stop automatically scanning between input1 to input8. The interval time can be set by [Set], [MIN], [SEC] as described above</p>
18	Power switch	Turn on or turn off power supply

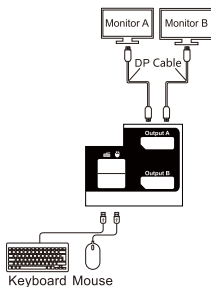
Connection Diagram :

Step1: Connect the two outputs of the PC1 to the Input A and Input B of the KVM PC1 inputs.
Connect the USB of the PC to the USB of the KVM PC1 inputs with USB type A to B cable

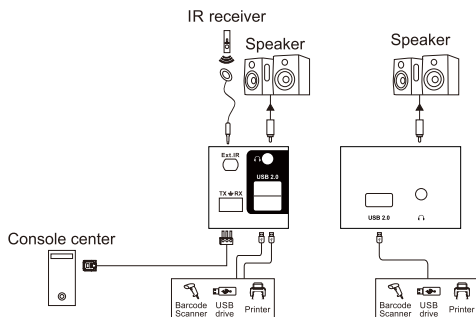


Note: Both Input A and Input B should be connected to the same computer. If connect only one of them, then the dual monitor function would not work properly.

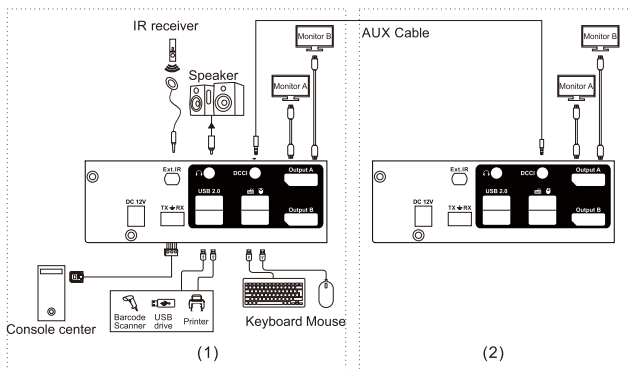
Step 2: Connect keyboard, mouse and monitors to the specified ports.



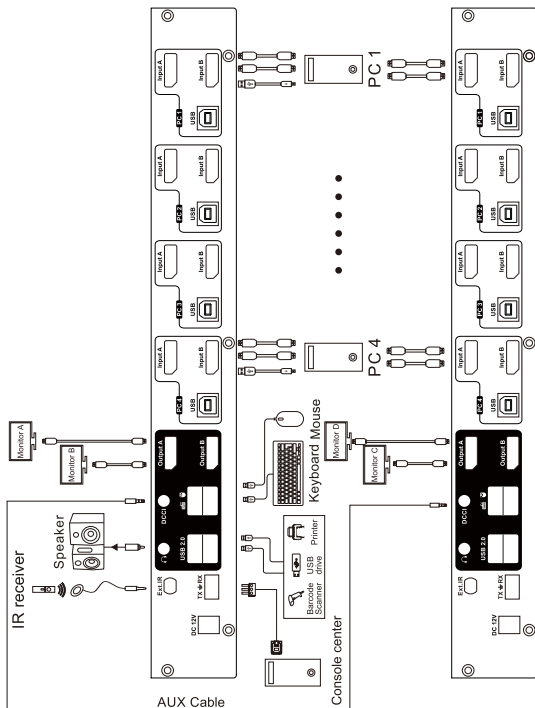
Step 3: Connect speakers, USB devices, Ext. IR and RS232 to the KVM.



Step 4: Directly connect the DCCI port of first KVM switch according to above steps, in order to realize simultaneous display of 4 monitors



Cascade Diagram



Note: The slave only connects to monitors and computers.
Computers need to connect 4 DP cables simultaneously.

Step 5: Turn on the power switch to start the Dual Monitor KVM.

How To Use :

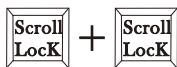
1. Set up the connection according to the connection diagram.
2. After all the PCs are started in step 1, then you can control the Dual Monitor KVM by keyboard hot keys, IR control or the front-panel key, the specific control methods are as follows:

How to use keyboard hot keys :



Press [Alt] key twice to change active selected computer in display mode 2

Note: Display mode 2 means one monitor display one PC.



[1] ~ [4] Select port by port number



Turn off auto switching mode



Enable or disable buzzer sound



Turn on auto switching mode

Note: Default auto switching time interval is 6 seconds, you are able to change this value by following hot key commands:



Increase or decrease auto switching time interval

Note: 1 second per step, the time is up to 250 seconds.



Turn on or off keyboard and mouse pass through mode

Note: For the best compatibility, it is better to turn on keyboard and mouse pass through mode. In this mode, the keyboard and mouse are dynamically mapped to computer, so you are able to use special keyboard and mouse that with multimedia keys or other customized keys.

How to identify whether the KVM is in keyboard and mouse pass through mode?

Turn on the KVM, press **[Scroll Lock] + [Scroll Lock] + [F3]**, if buzzer beeping twice, the KVM is in keyboard and mouse pass through mode. And beeping once means in keyboard and mouse emulation mode.

HOW TO CHANGE THE HOT KEYS COMBINATION:

There are two kinds of trigger hot keys in this product, the default is [Scroll Lock] key, and the alternative is the [Right-Ctrl] key. If [Scroll Lock] key has been used for other functions, you can switch the hot key to [Right-Ctrl] by:

Method 1:

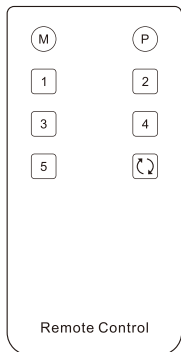
Press and keep holding the [Set] button on the front panel until you hear the buzzer is beeping, then restart KVM.

Method 2:

Press [Scroll Lock]+[Scroll Lock]+[F1], and you will switch the control hot key to [Right Ctrl].

Vice versa, press [Right Ctrl]+[Right Ctrl]+[F1], and you will switch the control hot key to [Scroll Lock].

IR Remote Control :



- 1 — Switch to PC 1
- 2 — Switch to PC 2
- 3 — Switch to PC 3
- 4 — Switch to PC 4
- M — The function is the same as the function of the panel key Output A
- P — The function is the same as the function of the panel key Output B
- ↻ — Turn on auto switching mode

Note: 1.For the safety request by some express company, the remote control is not equipped battery by default.
2.Unspecified buttons at above are non-functional.

RS232 Commands (HEX):

Commands	Content
AA BB 03 01 01 EE	Switch to PC 1
AA BB 03 01 02 EE	Switch to PC 2
AA BB 03 01 03 EE	Switch to PC 3
AA BB 03 01 04 EE	Switch to PC 4
AA BB 03 02 00 EE	Turn off buzzer
AA BB 03 02 01 EE	Turn on buzzer
AA BB 03 03 00 EE	Control output A to switch to previous input port
AA BB 03 03 01 EE	Control output A to switch to next input port
AA BB 03 04 00 EE	Control output B to switch to previous input port
AA BB 03 04 01 EE	Control output A to switch to next input port

Commands	Content
AA BB 03 05 01 EE	Change active selected computer in display mode 2
AA BB 03 06 00 EE	Turn on keyboard and mouse pass through mode
AA BB 03 06 01 EE	Turn off keyboard and mouse pass through mode
AA BB 03 07 01 EE	Switch the control hot key to [Right Ctrl]
AA BB 03 07 00 EE	Switch the control hot key to [Scroll Lock]
AA BB 03 08 01 EE	Turn on auto switching mode
AA BB 03 08 00 EE	Turn off auto switching mode
AA BB 04 09 mm ss EE	Set the auto switching time interval; mm means minutes (0x00~0x38) ss means seconds (0x00~0x38) Note:the minimum time interval is 5s.

Warranty Information:

We warrant this product as free of defects in material and workmanship for a period of one (1) year from the date of shipment.

If during the period of warranty this product proves defective under normal use, we will repair or replace this product, provided that this product has not been subjected to mechanical, electrical, or other abuse or modifications. If it fails under conditions other than those covered will be repaired at the current price of parts and labor in effect at the time of repair. Such repairs are warranted for six (6) months from the day of reshipment to the buyer.