

HDMI KVM Switch

USER MANUAL

ENJOY THE VIVID WORLD

KVM • 4K@60Hz

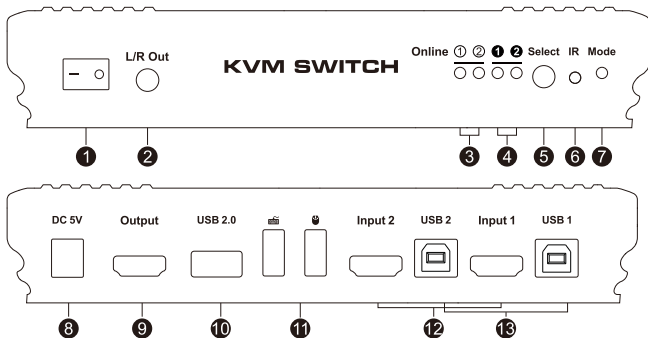
Features :

- Using only 1 set of keyboard, mouse and monitor to control 2/4 computer devices
- Support auto switching to monitor computers in a specified time interval
- Support front panel buttons, IR signals, keyboard hot keys and mouse gesture to control KVM to switch inputs
- Available to use keyboard and mouse without any delay after switch input sources
- Support resolution up to 3840*2160@60Hz 4:4:4
- HDCP 2.2 compliant
- With USB 2.0 hub port, it is possible to connect bar code scanner, USB hard drive or other USB devices to KVM
- With EDID emulators in each input port, keep PCs always having correct display information
- Support analog L/R audio output
- Support HDR and Dolby Vision
- Support keyboard and mouse pass through mode to improve mouse and keyboard compatibility

Packing List:

- 1 * 2x1/4x1 HDMI KVM Switch
- 1 * DC 5V power adapter
- 1 * IR remote control
- 1 * User's Manual

2x1 Panel Description:

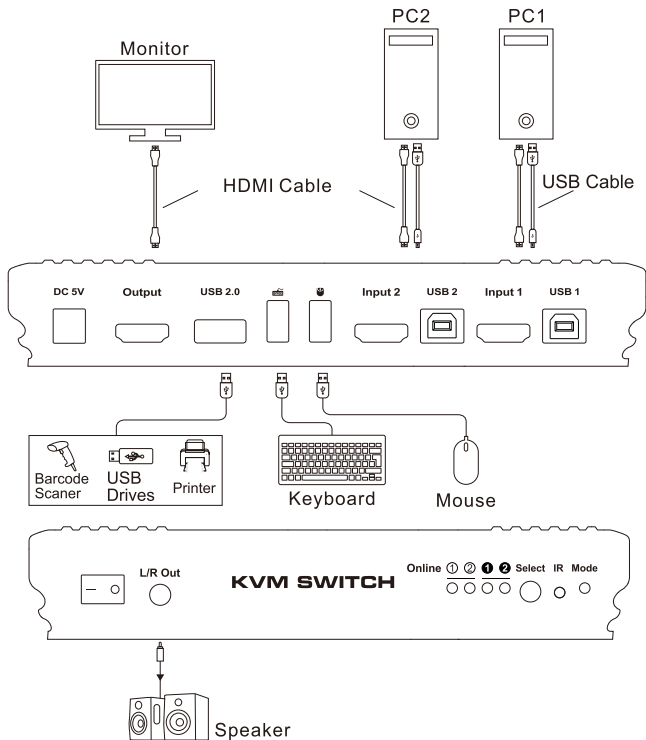


ID	Name	Description
1	Power switch	Turn on or off power supply
2	L/R Out	Analog L/R audio output
3	USB connection status	LEDs will be lit if the USB data ports are connected to the computers' USB port
4	Input selection status	Indicate current selected input source
5	Input selection button	Select input sources
6	IR receiver	Receive IR remote signal

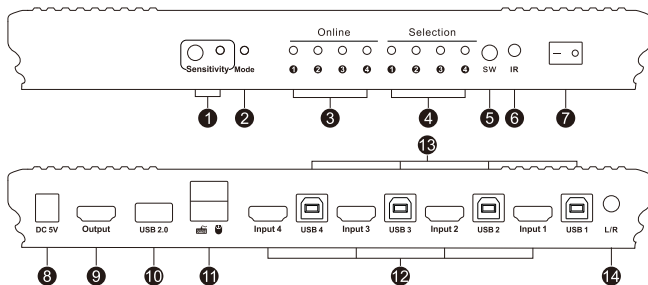
2x1 Panel Description:

ID	Name	Description
7	Keyboard and mouse pass through mode status	LED will be lit if keyboard and mouse pass through mode is activated
8	DC 5V	5V DC power supply
9	HDMI output	Connect to HDMI display
10	Standard USB 2.0 port	Connect to USB 2.0 device, printers, USB drives, barcode scanner
11	Keyboard and mouse input	For USB keyboard and mouse input, including wireless keyboard and mouse
12	HDMI input	Connect to HDMI source devices
13	USB data ports	Connect to PC by USB type B to type A cable

2x1 Connection Diagram:



4x1 Panel Description :

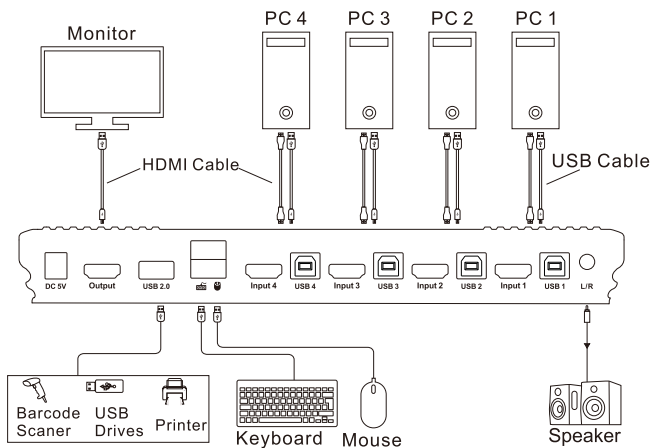


ID	Name	Description
1	Mouse sensitivity adjust button and indicator	Press button to change the sensitivity of the mouse fast switching mode
2	Keyboard and mouse pass through mode status	LED will be lit if keyboard and mouse pass through mode is activated
3	USB connection status	LED will be lit if the USB type B port connected to computers and computers are on
4	Input selection status	Indicate current selected input source

4x1 Panel Description :

ID	Name	Description
5	Input selection button	Select input sources
6	IR receiver	Receive IR remote signal
7	Power switch	Turn on or off power supply
8	DC 5V input	DC 5V power supply
9	HDMI output	Connect to HDMI display
10	Standard USB 2.0 port	Connect to USB 2.0 devices, printer, barcode scanner, USB drives, etc
11	Keyboard and mouse input	For USB keyboard and mouse input, including wireless keyboard and mouse
12	HDMI input ports	Connect to HDMI source devices
13	USB data ports	Connect to PC by USB type B to type A cable
14	L/R Out	Analog L/R audio output

4x1 Connection Diagram:



HOW TO USE :

1. Setup the connection according to the connection diagram.
2. After all the PCs are started in step 1, then you can switch to any PC by keyboard hot keys, IR keys or the key pad on the KVM front panel. (For example, if you want to control the PC connected to HDMI in 2 just press the [SW] button on front panel, or press digit button [2] on remote control, or the keyboard hotkey commands described following)

HOW TO USE KEYBOARD HOT KEYS :

1. Hit [Scroll Lock] key twice within 2 seconds, the buzzer will beep once when ScrollLock is pressed the second time .
2. After step 1 enter following hot key commands within 3 seconds, the KVM will execute the corresponding commands.


 Select previous input port


 Select next input port


 Select port by port number

Note: 3, 4 are for 4x1 KVM.



Enable or disable buzzer sound



Enable or disable fast switching mode (Mouse gesture mode)

If fast switching mode is activated, then double hit left or right bound of the screen with mouse pointer in 1 second, KVM will switch to previous or next input.



Turn on auto switching mode

Note: The KVM will automatically loop among all the powered on input source within a specified time interval. Default auto switching time interval is 6 seconds, you are able to change this value by following hot key commands:



Increase or decrease auto switching time interval

Note: 1 second per step, the time is up to 250 seconds.



Turn off auto switching mode

Note: Execute this hotkey command to exit auto switching mode.



Turn on/off keyboard and mouse pass through mode

Note: For the best compatibility, it is better to turn on keyboard and mouse pass through mode. In this mode, the keyboard and mouse are dynamically mapped to computer, so you are able to use special keyboard and mouse that with multimedia keys or other customized keys.

HOW TO CHANGE THE HOT KEYS COMBINATION:

If no [Scrol lLock] key on your keyboard or the [Scroll Lock] key is used for other functionality, you can take right [Ctrl] hotkey instead of [Scroll Lock] key by below two ways:

1. Press front panel button [SW] until you hear the buzzer is beeping, then restart the KVM.
2. Execute hotkey command [Scroll Lock]+[Scroll Lock]+[F1].



Switch the control hotkey to right [Ctrl]

After you had done either one of above, the hotkey combinations would be changed to: right [Ctrl]+right [Ctrl]+[xxx].

Note: xxx refers to keyboard key *PageUp*, *PageDown*, *1~4*, *F11*, *F12*, *SPACE*, *+/-*.

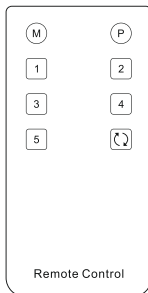
The same if you want to change the hotkey from right [Ctrl] to [Scrol lLock], you could do as follows:

1. Press front panel button [SW] until the buzzer is beeping, then restart the KVM.
2. Execute hotkey command: right [Ctrl]+right [Ctrl]+[F1].



Switch the control hotkey to [Scroll Lock]

IR Remote Control:



1—Switch to input port 1

2—Switch to input port 2

3—Switch to input port 3

4—Switch to input port 4

Note: 3,4 are only available for 4x1 HDMI KVM switch.

Note:1. For the safety request by some express company, the remote control is not equipped battery by default.

2. Unspecified buttons at above are non-functional.

Verified keyboards and mice:

Mouse	Model	Keyboard	Model
Zklii	ZM500-5	ME TOO	Z5
FL.SPORTS	G12	Dareu	CK535
Newmen	GX1-KEPLER	Aigo	8362
Aigo	WQ-641	AJAZZ	AK35I
LDK.al	Colourful X800	Acer	KB21-2X

Note: The above list is part of the verified keyboards and mice list with special HID protocol.

Warranty Information :

We warrant this product as free of defects in material and workmanship for a period of one (1) year from the date of shipment.

If during the period of warranty this product proves defective under normal use, we will repair or replace this product, provided that this product has not been subjected to mechanical, electrical, or other abuse or modifications. If it fails under conditions other than those covered will be repaired at the current price of parts and labor in effect at the time of repair. Such repairs are warranted for six (6) months from the day of reshipment to the buyer.