

## 120M HDMI KVM Extender

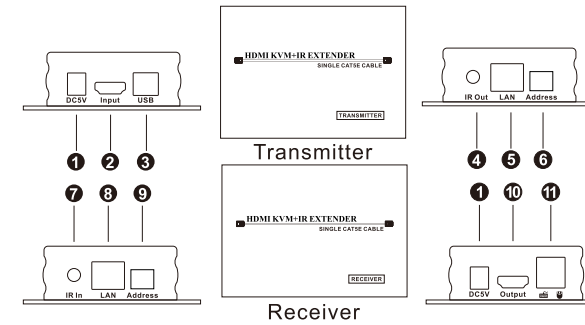
## USER MANUAL

**Features:**

- Extends HDMI, USB and IR over a network switch or a direct connection with Cat5E/6 UTP cable up to 120 metres
- Supports resolution up to 1080p Full HD
- HDMI bandwidth up to 2.25Gbps data rate
- Support TMDS equalization and enhancement
- By transmitting keyboard and mouse datas via LAN, it is easy to control PC or other media players remotely
- Via router or network switch, it is available to send datas from up to 16 transmitters to 253 receivers

**Packing List:**

- 1 \* HDMI KVM Extender
- 2 \* DC 5V Adapter
- 1 \* IR Transmitter
- 1 \* IR Receiver
- 1 \* User Manual

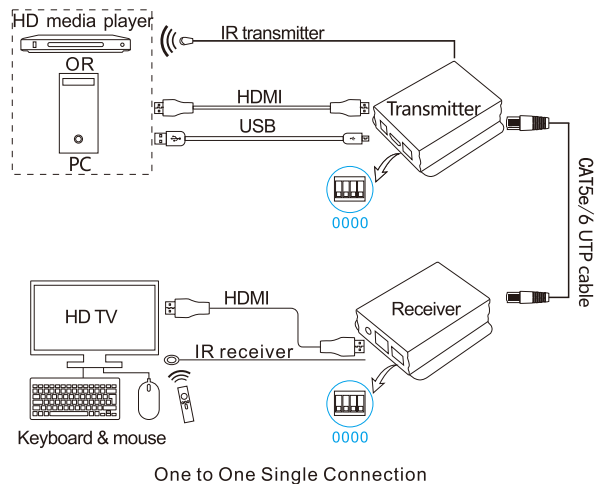
**Panel Description:**

ID	Name	Description
1	DC 5V	DC 5V power supply
2	HDMI input	Connect to HDMI the output of computer
3	Keyboard and mouse connection port	Connect to USB port of computer by USB type A to USB type B cable
4	IR transmitter port	Connect to IR transmitter
5	UTP cable connection port	Connect to the LAN port of Receiver by CAT5e/6 cable

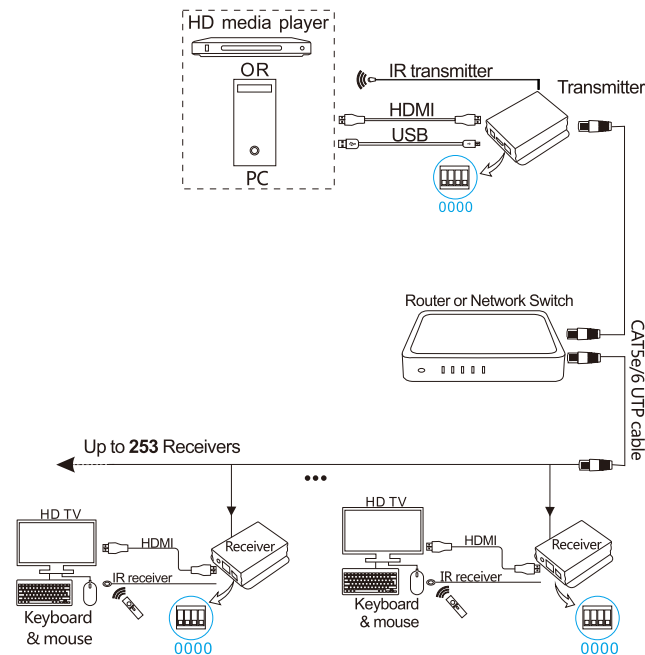
ID	Name	Description
6	IP Address configuration	Config the IP Address of Transmitter
7	IR Receiver port	Connect to IR Receiver
8	UTP cable connection port	Connect to the LAN port of Transmitter by CAT5e/6 cable
9	IP Address Configuration	Config the IP Address of the Receiver
10	HDMI output port	Connect to the HDMI input port of display
11	keyboard and mouse input	Connect keyboard and mouse input

### Connection Diagram :

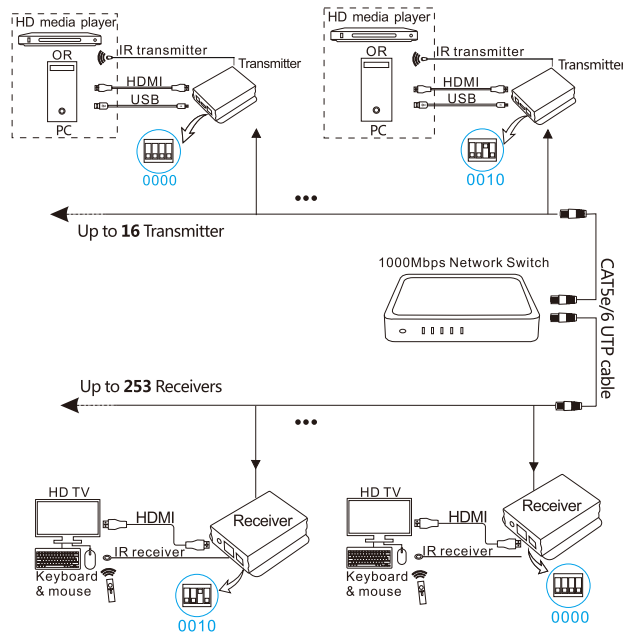
Set IP address of the transmitter and receivers to the same.



Set IP address of the transmitter and receivers to the same.



Support up to 16 transmitters (Addr: 0000~1111) in one local area network. Set the receivers' IP address to the same as the transmitter which the receiver wants to connect to.



**Note:**When using multi-connection, the 1000Mbps network switch should support IGMP protocol(Not IGMP snooping)

### Warranty Information:

We warrant this product as free of defects in material and workmanship for a period of one (1) year from the date of shipment.

If during the period of warranty this product proves defective under normal use, we will repair or replace this product, provided that this product has not been subjected to mechanical, electrical, or other abuse or modifications. If it fails under conditions other than those covered will be repaired at the current price of parts and labor in effect at the time of repair. Such repairs are warranted for six (6) months from the day of reshipment to the buyer.