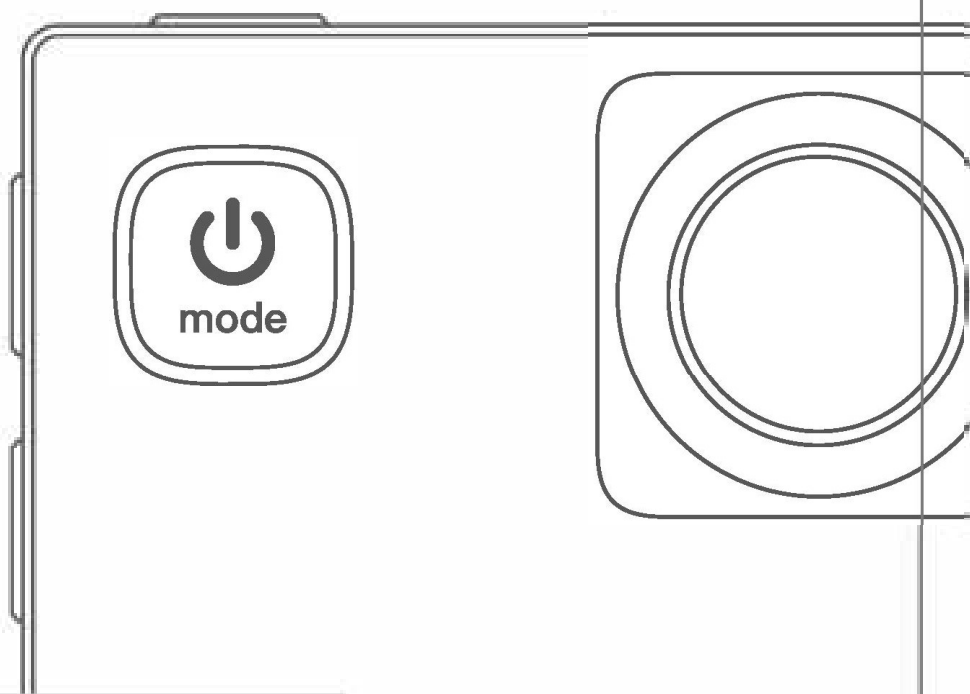


apeman

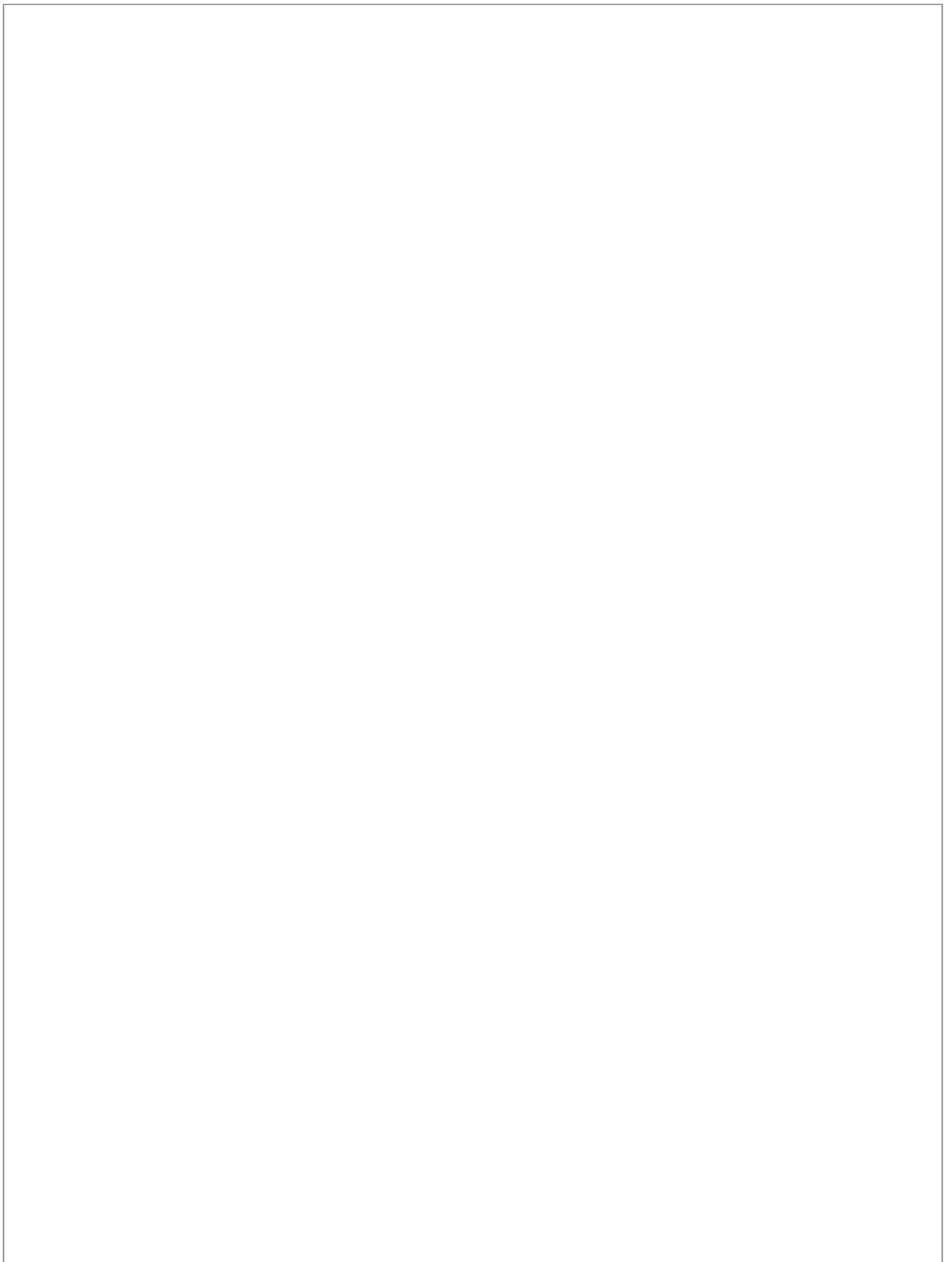


# User Manual

## Action Camera

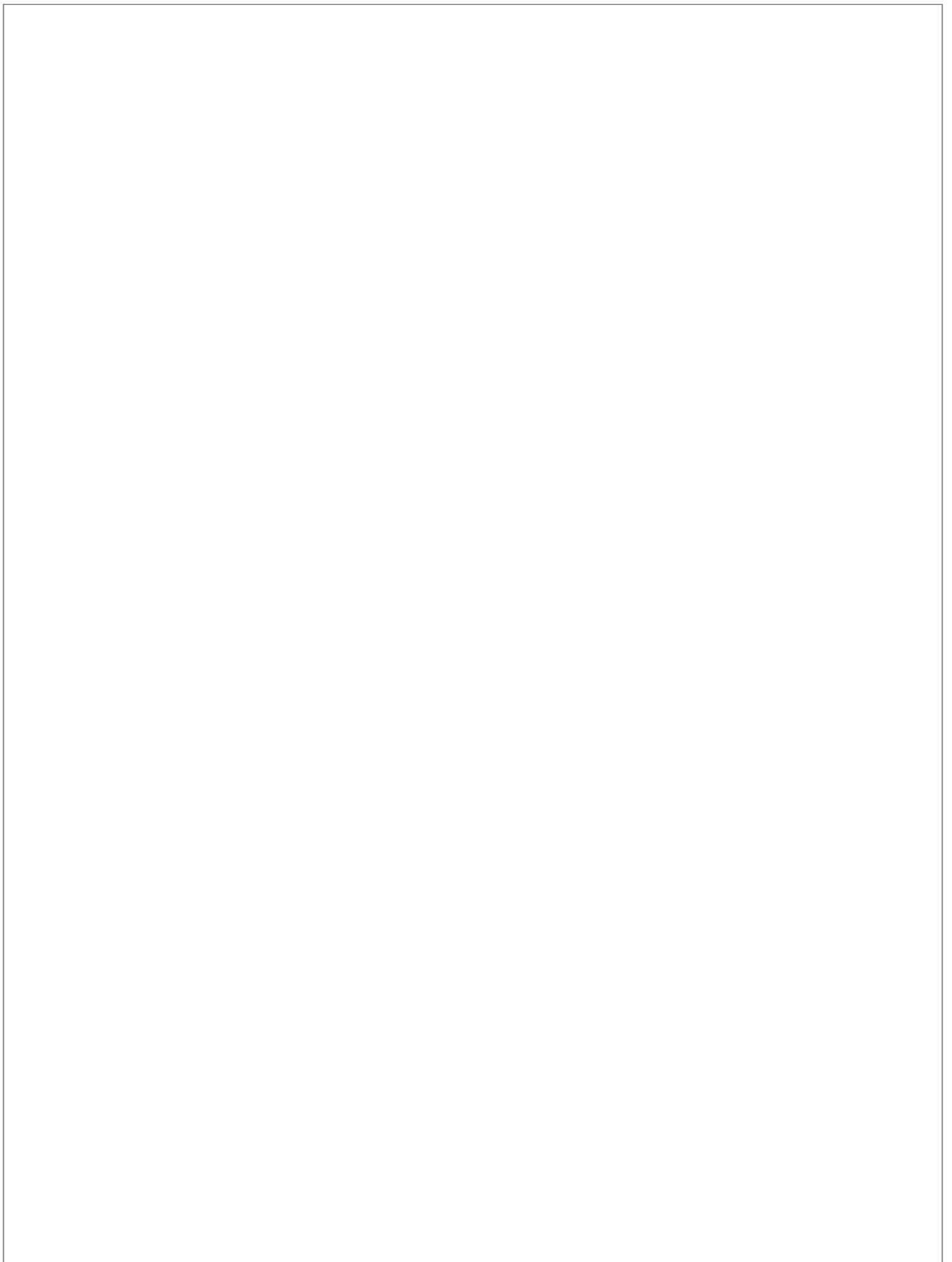
EN DE FR  
IT ES JP

# A79



## Menu

<b>EN</b>	English .....	7
<b>DE</b>	Deutsch .....	30
<b>FR</b>	Français .....	55
<b>IT</b>	Italiano .....	79
<b>ES</b>	Español .....	102
<b>JP</b>	日本語 .....	126



## Q&A

**Q:** Which type of memory card can be supported by this camera?

**A:** This camera can support a Class 10 Micro SDHC Memory Card (TF Card), 64 GB is the maximum size that can be supported.

**Q:** Although you have already inserted the SD card, the screen prompts “Please insert SD card” .

**A:** You need to check whether the SD card is formatted on the camera in the first instance, if the problem still cannot be solved, the file system on the SD card may have become corrupted, try changing the SD card to a new class 10 SD card with capacity 8GB–64GB.

**Q:** The recorded files have not been saved.

**A:** You need to make sure the camera is recording and the SD card is in the correct format for normal recording or replace By other SD card that meets the requirements.

**Q:** Can not operate or turn on the camera normally.

**A:** First ensure that the battery can be charged, whether fully charged or replaced the backup battery and then boot up the operation.

**Q:** Action camera feels hot during normal use.

**A:** Because this machine is a fully sealed digital device, it will have a certain amount of heat during use, temperatures of around 45 Celsius is within tolerant range.

**Q:** Sound quality is poor or there is no sound on playback.

**A:** First make sure the device is not in the waterproof case, because the waterproof case is designed to create an air tight–sealed environment around the device in order to prevent water ingress therefore reducing the sound that can be picked up by the microphone. Ensure the microphone has not been switched off by the check menu setting options.

**Q:** Accidentally damaged an accessory during use.

**A:** Don't worry, you can contact our official customer service by email or Facebook. Our team will send you the replacement parts.

**Q:** Is the remote control waterproof?

**A:** The remote control is not completely waterproof, so it should not be fully immersed in water. if the camera encounters with occasional splashing water, please wipe it clean and dry in time.

# Contents

EN

<b>Attention .....</b>	<b>2</b>
<b>Product Description .....</b>	<b>3</b>
Button Instructions	
<b>Preparation and Installation .....</b>	<b>4</b>
Waterproof Case Open&Close	
Dust-proof Cover Replacement	
Battery Charging and Installation	
SD Card Insertion and Formatting	
<b>Operation Instructions .....</b>	<b>9</b>
Turn ON/OFF	
Mode Operation Instructions	
Menu Table	
<b>Wi-Fi/Computer/TV Connecting .....</b>	<b>21</b>
<b>Product Specifications.....</b>	<b>25</b>
<b>Warranty.....</b>	<b>26</b>

## Attention

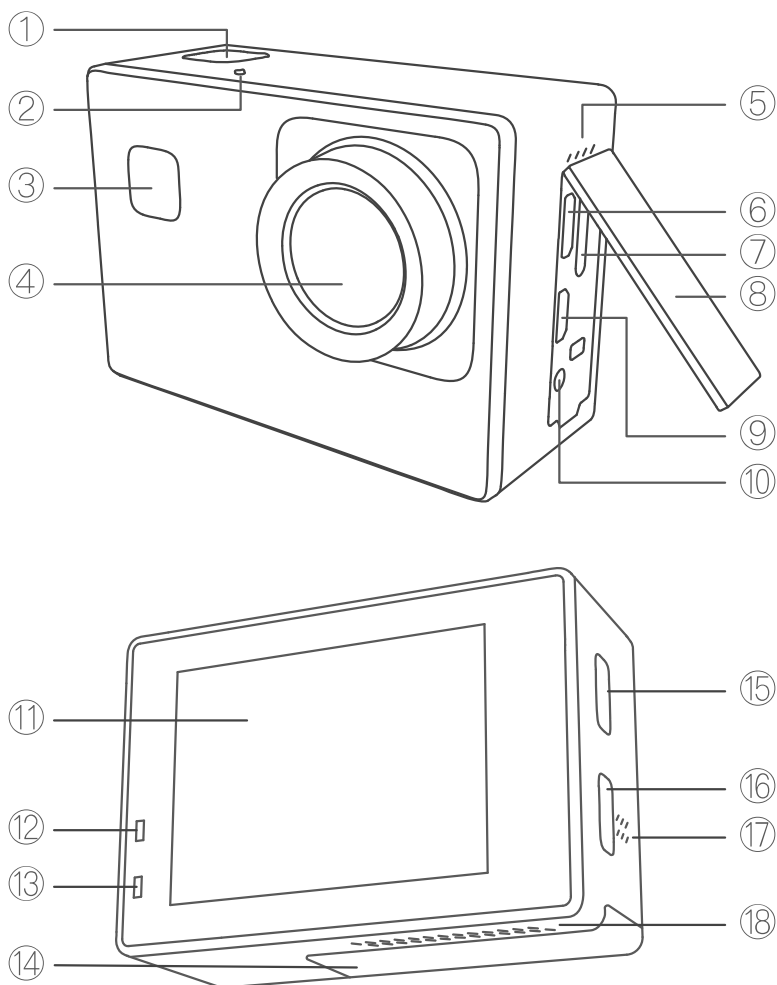
EN

- Keep it safe from falling and dropping.
- Keep it distance from any strong magnetic interference objects like electrical machine to avoid strong radio waves that Might be damage the product and the quality of sound and image.
- Keep the camera away from water and liquids (unless equipped with waterproof case). This may cause the malfunction of camera.
- Keep it safe from children while on charging. It takes about 3 hours to charge the battery. We advise you to take the battery out of the camera after use in order to avoid loss of battery power.
- We recommend you use high quality Class 10 Micro SD Card (max support 64 GB) for the best results. Please format the micro SD card on the camera before using and restart the camera after formatting.
- Do not expose the product directly to high temperatures over 45°C.
- Do not place heavy objects on the camera.
- To avoid data loss, please do not place your Micro SD card nearstrong magnetic.



## Button Instructions

EN



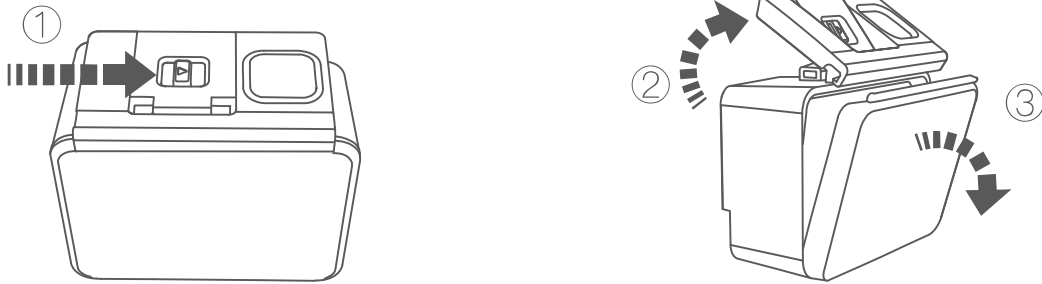
- |                     |                                 |
|---------------------|---------------------------------|
| ① OK/Shutter Button | ⑩ External microphone interface |
| ② Wi-Fi Indicator   | ⑪ Display Screen                |
| ③ Mode/Power Button | ⑫ Charging Indicator            |
| ④ Camera Lens       | ⑬ Working Indicator             |
| ⑤ Microphone        | ⑭ Battery Cover (Push)          |
| ⑥ Micro-USB Port    | ⑮ UP/Wi-Fi Button               |
| ⑦ TF Card Slot      | ⑯ Down Button                   |
| ⑧ Dust Cover        | ⑰ Speaker                       |
| ⑨ Micro-HDMI Port   | ⑱ Ventilation Holes             |

## Preparation and Installation

### Waterproof Case Open&Close

EN

A. How to open the waterproof Case correctly

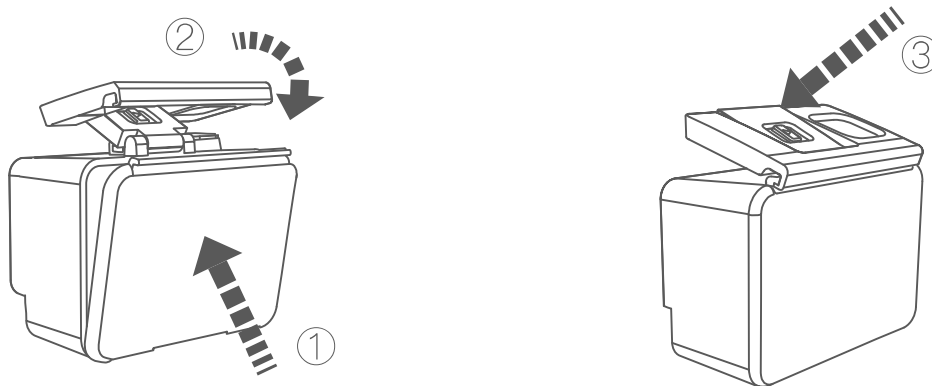


Push the switch to right as indicated by the arrow.

Pull up the buckle of waterproof case.

Open the back cover of the waterproof case.

B. How to close the waterproof Case correctly



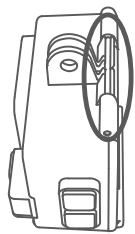
- Compress the back cover of the waterproof case as arrow 1 shows;
- Please pull down the buckle, and connect it to the back cover as arrow 2 shows.
- Pull down the buckle of the waterproof case as arrow 3 shows.

## Dust-proof Cover Replacement

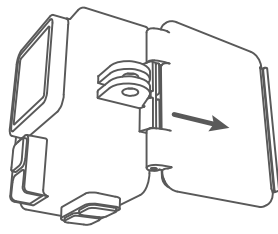
The camera case is supplied with two protective covers, one is waterproof, and the other is dust-proof. Please note, the dust-proof cover WILL NOT protect the camera from water ingress.

EN

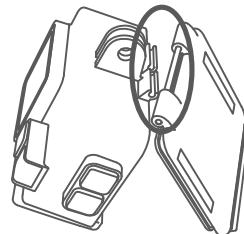
- The waterproof protective cover is for underwater, beach, dust and other adverse environment.
- The dust-proof protective cover protects the camera against dust, enhances sound quality and also reduce wind noise when you are riding, jogging, etc.



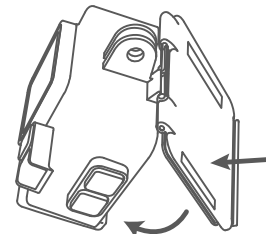
Step 1



Step 2



Step 3



Step 4

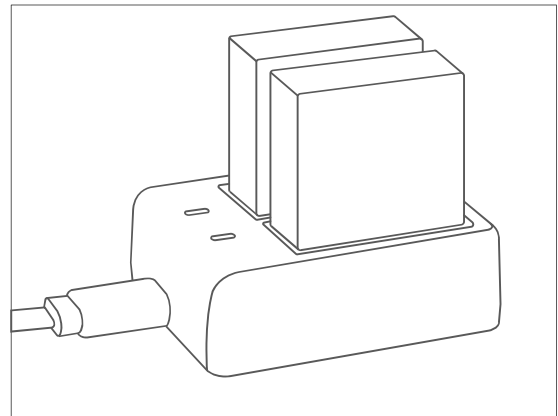
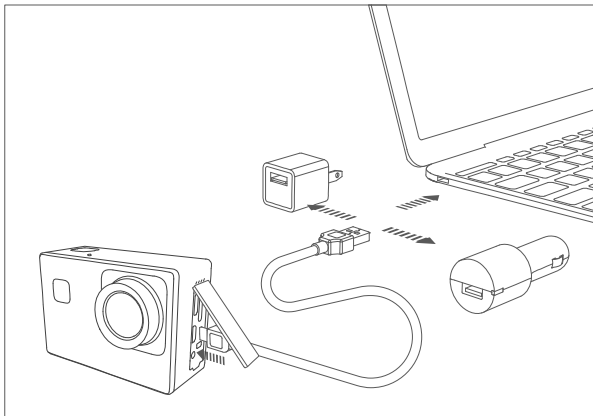
- Find the slot of the waterproof case as red circled place showed in step 1.
- Hold the case with your hands as step 2 picture shows, face the slot on the case front, tear the waterproof back cover off.
- Find the dust proof back cover in your accessories, which has two inter-spaces in left and right side. Insert the lower half of the cover in the slot, then push the upper half into the slot as step 4 indicates until the whole back cover being totally installed.

## Battery Charging and Installation

The battery and the camera are packaged separately, so please make sure that the battery is charged with power, inserted into the camera before turning the camera on.

EN

### A. Battery Charging

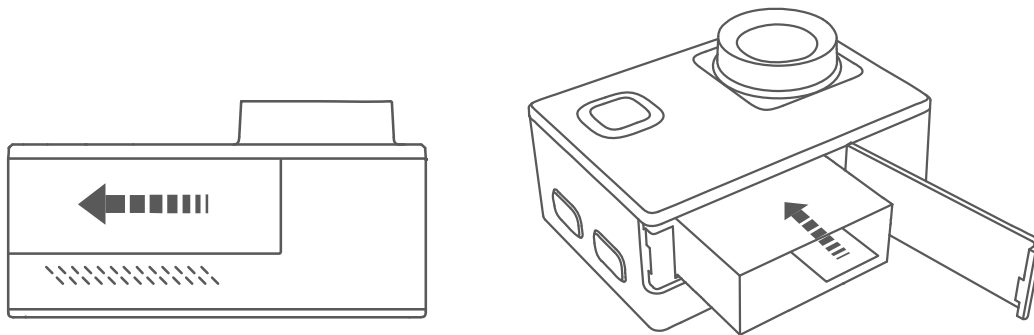


- Please note the dual USB battery charger is not included in the camera's accessories. You may need purchase one if you want. Or you can charge the battery within the camera via the USB cable.
- Connect the charger with USB cable, you can charge it with power plug or computer. Charging with computer may be slower than with a power adapter due to lower power output of computer USB ports.
- a. Insert two batteries into the charging compartment. When the charger is on, the red light indicates that it is charging. The light will turn to blue, if the batteries are fully charged.
- b. When the camera is charging, the red light will appear. It will disappear if the battery is fully charged.

Normal full charging time is about 3.5 hours. Do not over charge the battery.

EN

## B. Battery Installation



- Find the battery compartment part of the camera. Press the battery cover and slide it according to the direction of the arrow on the battery cover at the same time, the battery cover will pop open.
- Install the battery cover after the battery has been inserted.

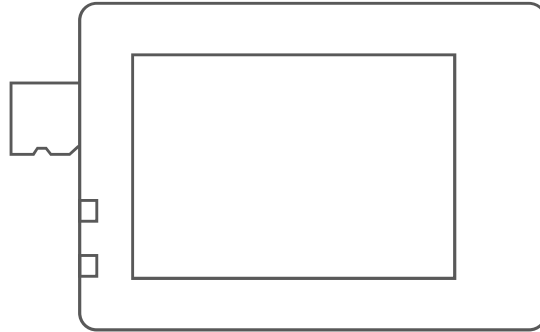
Please notice that the direction of the battery and battery cover.

Please don't remove the battery pull strap, which is help you to easy pull the battery out.

## SD Card Insertion and Formatting

### A. SD Card Insertion and Out

EN



- Open the dust cover on the left slide, find the Micro SD card slot in the camera, and insert the card into the camera as the direction and push inside.
- SD card out: Press down the SD card until you've heard an insertion sound; Then the SD card will pop out along with a pop sound.

### B. SD Card Formatting

- Insert the SD card in the state of turning off and then turn on the Camera.
- Press and hold **【OK/Shutter】** Button for 2 seconds to enter the menu mode.
- Press the **【Down】** Button to setting mode, then press **【Power/– Mode】** Button to enter setting part, find format to confirm it.

The camera supports regular brand SD card, Class 10 or above, 8GB to 64GB, please ensure the quality of SD card.  
You must format the SD card on the camera before Using.

## Operation Instructions

The A79 series has four kinds of mode: Video/Photo Mode, Playback Mode, Settings Mode, Exit.

EN

Below are the function instructions of each button under these modes.

### Turn ON/OFF

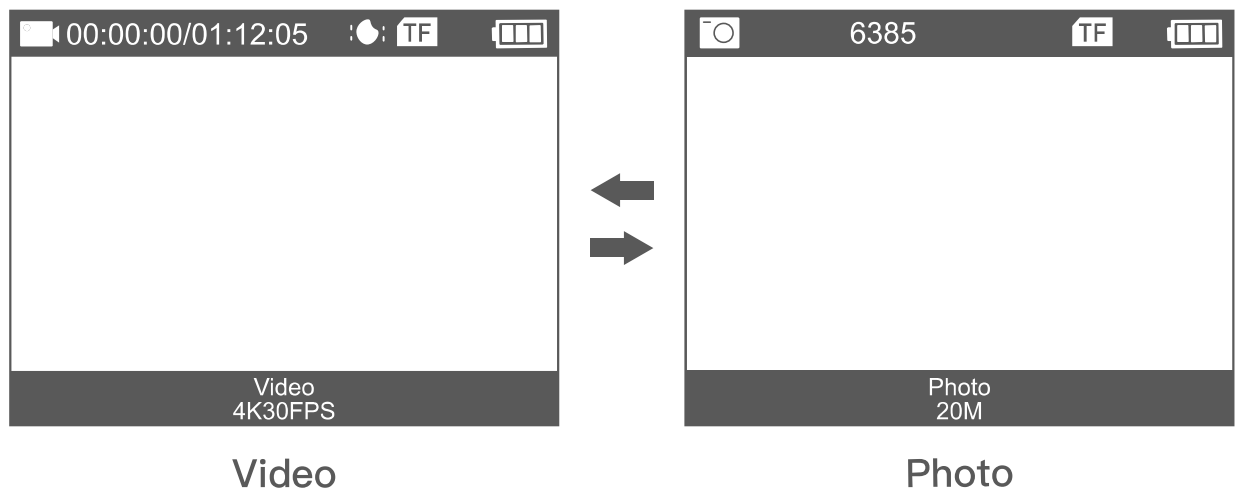
Extended press 「Power/MODE Button」 : Turn on the camera.

Extended press 「Power/MODE Button」 : Turn off the camera.

Under each mode.

### Mode Operation Instructions

Turn camera on and repeatedly press the Power/Mode Button to cycle through camera modes and settings. The modes will appear in following orders

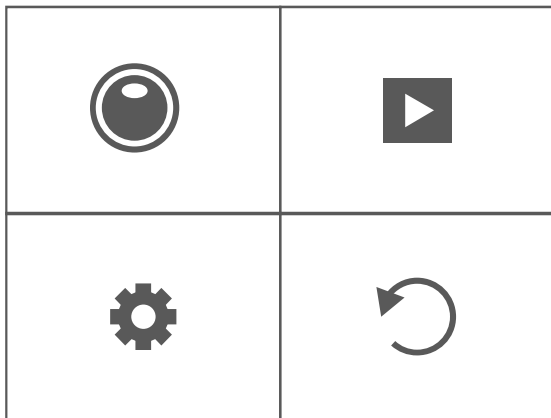


## MENU TABLE

EN

Long press the **【OK/Shutter】** Button after powering on to enter Settings Menu. Press the **【Up】** or **【Down】** Button to cycle through the various options, and press the **【OK/Shutter】** Button to select the desired option. Press the **【Power/Mode】** Button to Exit interface.

**Setting Menu:** Mode Select, Playback mode, System and video/photo settings, and Exit.



- ① Mode Select
- ② Playback
- ③ System and Video/Photo settings
- ④ Exit











## MODE SELECT

Long press the **【OK/Shutter】** Button after powering on to enter Settings Menu.

Choose Mode Select, Here you can choose video and picture modes

EN

Model Select			×
 Video	 Slowly	 Loop	 Lapse
 Photo	 Auto	 Burst	 Timer

Video modes: Video/slowly/Loop/Lapse

Picture modes: Photo/Auto/Burst/Timer

## VIDEO MODE

EN

There will be a video icon on the upper left corner of the camera screen. Please confirm that you have set up your video settings. If the Video icon in your camera LCD is not shown, Long press the **【OK/Shutter】** Button to the menu and choose the Video mode in the Mode Select (such as Video/slowly/Loop/Lapse).

### To Start Recording:

To press the **【OK/Shutter】** Button. While recording, the camera Status Light(Blue) will flash on the left of the screen, the recording icon left corner of the screen will turn red.

### To Stop Recording:

To press the **【OK/Shutter】** Button again. The camera Status Light (Blue) on the left of the screen and the recording icon on the upper left corner of the screen will turn white to indicate the recording has stopped.

MIC recording is not supported when in slowly video mode and lapse video mode.

### To Turn On/Off the audio record:

To press the Down Button. The MIC icon will show the status on the upper right corner of the screen.

**Tip:**

This camera automatically stops recording when the battery is out of power. Your video will be stored before the camera powers off. This camera automatically stops recording when the SD card is full if the looping record function is turned off. Files will be overwritten in recording order when the SD card is full. If the looping record function is turned on.

## PHOTO MODE

EN

There will be a Camera icon on the upper left corner of the camera screen. Please confirm that you have set up your photo settings. If the Camera icon in your camera LCD is not shown, Long press the **【OK/Shutter】** Button to the menu and choose the Photo mode in the Model Select (such as Photo/Auto/Burst/Timer).

### **To capture a photo:**

Press the **【OK/Shutter】** Button. the camera Status Light(Blue) will flash once on the left of the screen, and The camera will emit a shutter sound(Volume in General Setting needs to be turned on).

### **Auto photo:**

Press the **【OK/Shutter】** Button. The camera will take a photo after the time you set.

### **Burst Photo series:**

Press the **【OK/Shutter】** Button,the camera will continuously take the number of photos you have set. At this time, the time interval set in Time-Lapse Photo will become invalid.

### **Timer Photo:**

Press the **【OK/Shutter】** Button. there will be a clock icon in the middle of the camera screen. The number displayed on the icon is the time interval for taking pictures.

# PLAYBACK

## Playback Videos and Photos

Long press the **【OK/Shutter】** Button after powering on to enter Settings Menu. Select the Playback mode in the upper right corner. Press the **【Up/Down】** Button to cycle the videos or photos and then press the **【OK/Shutter】** Button to playback /stop the desired options.

EN

## Delete files

In the file preview interface, Long press the **【OK/Shutter】** Button to select whether to delete the current file.

While playing back videos, Long press the **【Down】** Button to fast forward the video, and press the **【Up】** Button to rewind.

## Exit playback mode

Press the **【Power/Mode】** Button.

**Tips:** Since different cameras supports different file formats, files recorded on other cameras with the same memory card may can't be played back on this camera.

# SETTING

## Video Setting

EN

Video Setting

Press **【OK/Shutter】** Button to confirm

Press **【UP/Down】** Button to select

Press **【Power/Mode】** Button to return

**Video Resolution:** 4K 30fps/2.7K 30fps/1080p 60fps/1080p  
30fps/720p 120fps/720p 60fps/720p 30fps

The default resolution is 4K 30fps.

**EIS:** Off/On.

Choose to turn on/off the anti-shake.

**Distortion Correction:** Off/On.

Choose to turn on/off the Distortion Correction.

EIS and Distortion Correction cannot be turned on at the same time

**White Balance:** Auto/Sunny/Cloudy/Incandescent/Fluorescence

**Exposure Setting:** -3.0~0~+3.0

**Metering Mode:** Average Metering/Center Metering/  
Spot Metering/Matrix Metering

**Sharpness:** High/Middle/Low

**Video Quality:** High/Middle/Low

**ISO:** Auto/100/200/400/800/1600/3200/6400

ISO refers to the light sensitivity of either the film or imaging sensor. Beyond simply changing the exposure, ISO also affects image quality. A higher ISO typically translates to a “noisy” or “grainy” image.

**Time Watermark:** ON/OFF

**Rec Audio:** ON/OFF

**Slowly Rec:** 1080P 2X/720P 4X

**Looping Rec Resolution:** 4K 30fps/2.7K 30fps/1080p 60fps/1080p 30fps/720p 120fps/720p 60fps/720p 30fps

**Looping Video Length:** 2 Min./3 Min./5 Min.

When this function is turned on, the video recorded will be segmented at the time you set.

**Time-Lapse Rec Resolution:** 4k/2.7k/1080P/720P

**Rec Interval:** 0.5s/1s/2s/5s/10s/30s/60s/

Video recorded will be compressed to the time length you set. For example, an image of a scene may be captured once every second, then played back at 30 frames per second; this is an apparent 30 times speed increase.

**Video Length:** Unlimited/6s/8s/10s/20s/30s/60s/120s

## Photo Setting

Press **【OK/Shutter】** Button to confirm

Press **【UP/Down】** Button to select

Press **【Power/Mode】** Button to return

**Photo Pixel Inset:** 20M/16M/13M/8M

The default resolution is 20M

**Exposure Setting:** -3.0~0~+3.0

**Metering Mode:** Average Metering/Center Metering/Spot Metering/Matrix Metering

**Sharpness:** High/Middle/Low

**ISO:** Auto/ISO100/ISO200/ISO400/ISO800/ISO1600/ISO3200/ISO6400

**Time Watermark:** ON/OFF

**Auto photo interval:** 3s/10s/15s/20s/30s/

**White Balance:** Auto/Sunny/Cloudy/Incandescent/Fluorescence

**Burst Photo Frequency:** 3p/s,5p/s,10p/s

Press the **【OK/Shutter】** Button once to take a few pictures in a row.

**Time-Lapse Countdown:** 3s/5s/10s/20s/

After Press the **【OK/Shutter】** Button once, the camera takes photos in 3/5/10/20 seconds.



## General Setting

**Image Rotation:** ON/OFF

When this setting is turned on, the camera's screen flips up and down.

**Wi-Fi:** ON/OFF

**Wi-Fi Information:** Show WIFI name and password

**Reset Wi-Fi:** Confirm/Cancel

**Light Source Frequency:** Auto/50HZ/60HZ

**LED Indicator:** ON/OFF

**Auto Screen Saver:** OFF/3 s/1 minute/2 minute

After a set period of time, if there is no operation on the camera, the screen will automatically go black. At this point the camera does not turn off, you can press any button to light the screen.

**Auto Power Off:** OFF/3 minutes/5 minutes/10 minutes

After setting a period of time, if there is no operation on the camera, the camera will automatically shut down.

**Button Prompt:** OFF/High/Middle/Low

Adjust the sound pressing buttons.

**Language:** English / Español / Portugues / Русский / 简体中文 / 繁体中文 / Deutsch / Italiano / Français/ 日本語 .

**Time Format:** YY/MM/DD,MM/DD/YY,DD/MM/YY

**Time Set:** Timestamps on photos and videos.

Use the **【Up/Down】** Button to change the value

Use the **【OK/Shutter】** Button to turn to the next item

Use the **【Mode/Power】** Button to return.

**Date set:**

Use the **【Up/Down】** Button to change the value

use the **【OK/Shutter】** Button to turn to the next item

use the **【Mode/Power】** Button to return

**Tips:** Since the camera does not have a built-in battery, once the battery is removed or the camera is out of power while shooting, the camera's time will be reset to 2019/01/01 when it powered on at next time, and then you need to reset the time in the setting.

**Format:** Confirm/Cancel

Format the memory card in the camera. Once this operation is implemented, all dates will be deleted. We recommend you to format your memory card in the camera before use.

**Device Info:** Display device model, software version, and update date

**Factory Reset:** Confirm/Cancel

Restore all camera settings to default settings.

**EXIT**

Press the **【OK/Shutter】** Button to exit the settings

## WiFi/Computer/TV Connecting

EN

### Wi-Fi CONNECTION

Connect to the Wi-Fi

The Wi-Fi application allows you to control your camera remotely on a smart phone or tablet. You can view the video or pictures on your phone, and download the recordings. The connecting steps are as following:

- Download the APEMAN (or XDV PRO) app on your smart phone or tablet in Google Play or Apple App Store.
- Press the **【Up】** Button to turn on Wi-Fi after powering the camera ON. The status light (Yellow) on the top of the camera remains flashing while the camera is waiting for a Wi-Fi connection and the light stays on when the Wi-Fi is connected.
- Find and connect the Wi-Fi in the Wi-Fi list on your phone with the Wi-Fi name and password displayed on the camera.
- Open the APEMAN (or XDV PRO) App on your smart phone or tablet after the Wi-Fi is connected, you'll find the camera is controlled by your phone.

**Tips:**

- Press and hold the Up Button again to turn off the Wi-Fi.
- The camera can only connect to one device at a time.
- The Wi-Fi connection is a little bit power-consuming, so please avoid connecting Wi-Fi when the battery power is low.

The APEMAN App is compatible with smart phone and tablet listed below:

**For Apple iOS**

- iPhone (above 5S), iPad Air & Mini & Pro, iPod touch(above iOS9)

**For Android**

- Android 5.0 or later

App available on:



## Computer Connecting

There are three options when you use the included micro-USB cable to connect to a computer: Charging mode, Mass Storage Mode, Camera Mode.

Press the **【Up/Down】** Button to switch between these three modes and press the **【OK/Shutter】** Button to enter.

**Charging mode:** The USB cable is only used as a charging cable. In this mode, you can still use the camera.

**Mass Storage Mode:** Access to the files stored in the camera's micro SD card to copy or view them on a computer. This function can also be achieved by a micro SD card reader.

**Camera mode:** Use as a webcam for video chats and video recording on your computer. You may need to allow Adobe Flash Player to run in your video chat software firstly if you want to use it as a webcam.

## TV Connecting

With HDMI output, you can display the movies and images recorded by this camera on large screens of TV, projector, etc.,

- EN
- Turn off the camera.
  - Connect the camera and TV with a commercially available Micro HDMI cable (NOT INCLUDED).
  - Turn on the camera and turn on the HDMI setting on the device which you intended to input.

Tips:

- The HDMI input device should support 1080P.
- When outputting HDMI, the display of the camera turns black. The screen is displayed on the HDMI input device, but the operation is operated with the camera.

## Operating Camera via the 2.4GHz Remote Control

Use the remote control to take photos or record videos with the touch of the photo button (red) or video button (gray). It operates in the current photo or video mode, or switches to standard photo or video mode to capture. After being used, the battery will eventually need to be replaced. Unscrew the four small screws on the back of the case and replaced them with a new CR2025 cell battery.

## Product Specifications

EN

Model	A79
Sensor	Sony IMX135
Lens	170° Wide angle lens(Adjustable)
Display dimension	2 Inch LCD
Photo Resolution	20M/16M/12M/8M
Video Format	H.264 code; MP4
Image Format	JPEG
Wi-Fi Connection	Android / iOS supported(5 Meter)
Mirco SD Card	Class 10, FAT 32, 8GB-64GB
EV	Auto(-3.0~3.0EV)
Ports	Micro USB / Micro HDMI/ DC2.5 microphone
Charging Time	About 3 hours (5V/2A)
Waterproof Depth	40M/131.2ft
Operating temperature	0°C~45°C
Battery	Rechargeable 1050mAh Li-ion battery
After-sales Contact	support.ac.uk@apemans.com

## Warranty

EN

All APEMAN products come with a limited warranty of 12 months from the date of purchase. And we have professional customer service team for supporting you as soon as we can.

If you have any questions or confusions about our product or the warranty, please feel free to contact us via email. We will endeavor to respond to you within 24 hours and will do our best to help you solve the problem until you are satisfied.

Complaint Mailbox: [support.ac@apemans.com](mailto:support.ac@apemans.com)  
US/CA [support.ac.us@apemans.com](mailto:support.ac.us@apemans.com)  
JP [support.ac.jp@apemans.com](mailto:support.ac.jp@apemans.com)  
UK [support.ac.uk@apemans.com](mailto:support.ac.uk@apemans.com)  
DE [support.ac.de@apemans.com](mailto:support.ac.de@apemans.com)  
FR [support.ac.fr@apemans.com](mailto:support.ac.fr@apemans.com)  
IT [support.ac.it@apemans.com](mailto:support.ac.it@apemans.com)  
ES [support.ac.es@apemans.com](mailto:support.ac.es@apemans.com)



# Inhalt

<b>Warnhinweise .....</b>	<b>28</b>
<b>Produktanweisungen .....</b>	<b>29</b>
Tastenbelegung	
<b>Vorbereitung und Installation .....</b>	<b>30</b>
Wasserdichtes Gehäuse: Öffnen und schließen	
Staubschutzcover ersetzen	
Batterien laden und einsetzen	
SD Karten einsetzen und formatieren	
<b>Inbetriebnahme .....</b>	<b>36</b>
Ein- und Ausschalten	
Modi wechseln	
Menü-Tabelle	
<b>Wi-Fi/Computer/TV-Verbindung .....</b>	<b>48</b>
<b>Produktspezifikationen .....</b>	<b>52</b>
<b>Garantie.....</b>	<b>53</b>

DE

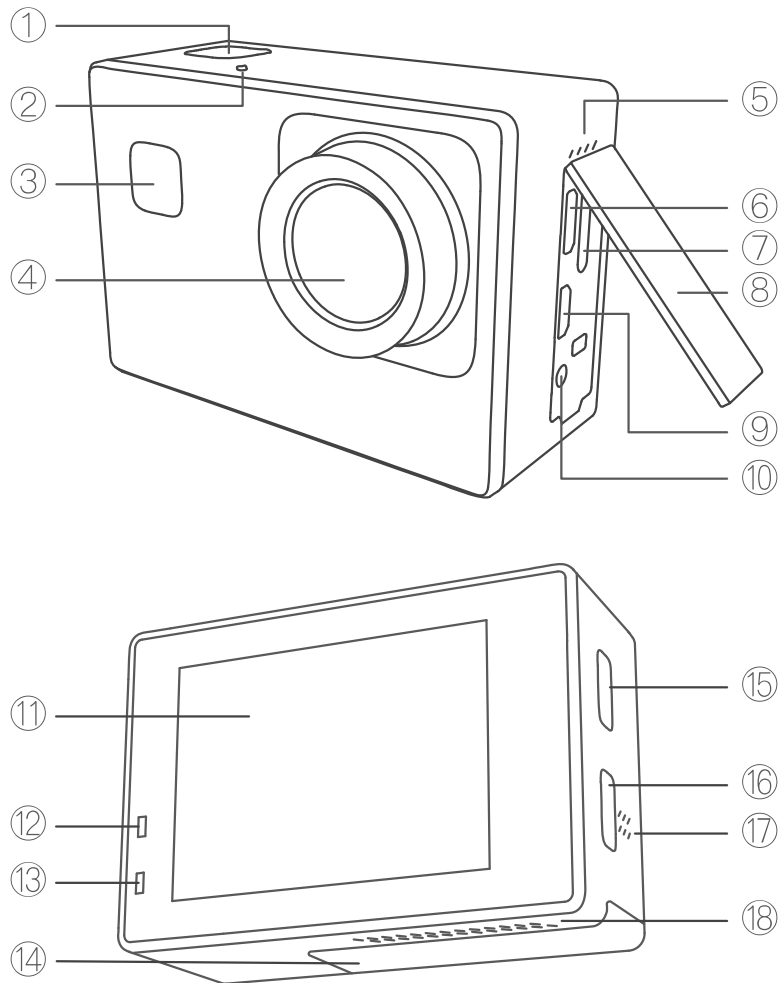
## Warnhinweise

DE

- Schützen Sie das Gerät vor Stürzen, lassen Sie sie nicht fallen.
- Halten Sie die Kamera von starken magnetischen Interferenzobjekten wie elektronischen Maschinen fern, um starke Radiowellen zu vermeiden, die das Produkt beschädigen oder die Ton- oder Bildqualität beeinträchtigen könnten.
- Halten Sie die Kamera von Wasser und Flüssigkeiten fern (sofern sie nicht mit einem wasserdichten Gehäuse ausgestattet ist). Dies kann zu Fehlfunktionen der Kamera führen.
- Bewahren Sie die Kamera während des Ladevorgangs außer Reichweite von Kindern auf. Das vollständige Aufladen des Akkus dauert ca. 2 Stunden. Wir empfehlen Ihnen, den Akku nach Gebrauch aus der Kamera zu nehmen, um einen Verlust der Akkuleistung zu vermeiden.
- Für die besten Ergebnisse empfehlen wir die Verwendung einer hochwertigen Class 10 Micro SD Karte (max. 64 GB). Bitte formatieren Sie die Micro SD-Karte vor dem Gebrauch mit der Kamera und starten Sie diese nach dem Formatieren neu.
- Setzen Sie das Produkt keinen Temperaturen über 45°C aus.
- Legen Sie keine schweren Gegenstände auf der Kamera ab.
- Legen Sie Ihre Micro SD-Karte nicht in die Nähe starker magnetischer Objekte, um Datenfehler oder -verluste zu vermeiden.

# Tastenbelegung

DE



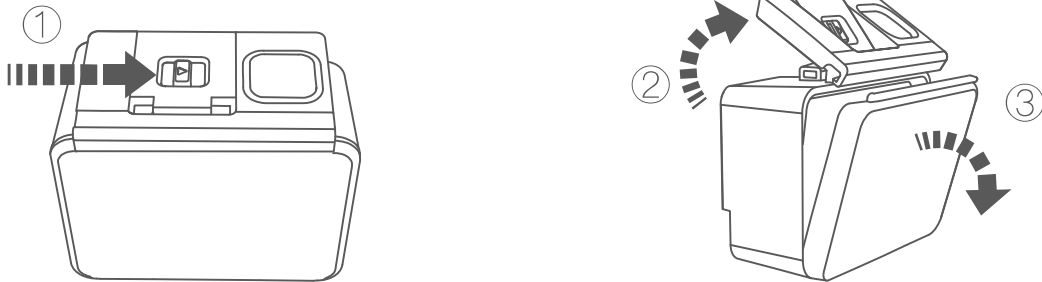
- |                         |                                 |
|-------------------------|---------------------------------|
| ① OK-/Auslöser-Taste    | ⑩ Externe Mikrofonschnittstelle |
| ② Wi-Fi-Anzeige         | ⑪ Bildschirm                    |
| ③ Modus-/Einschalttaste | ⑫ Ladeanzeige                   |
| ④ Kameraobjektiv        | ⑬ Arbeitsanzeige                |
| ⑤ Mikrofon              | ⑭ Batterieabdeckung (Drücken)   |
| ⑥ Micro-USB-Anschluss   | ⑮ UP/Wi-Fi-Taste                |
| ⑦ TF-Kartensteckplatz   | ⑯ Ab/Mikrofon-Taste             |
| ⑧ Staubschutzhaube      | ⑰ Lautsprecher                  |
| ⑨ Mikro-HDMI-Anschluss  | ⑱ Lüftungslöcher                |

## Vorbereitung und Installation

### Wasserdichtes Gehäuse: Öffnen und schließen

A. Wasserdichtes Gehäuse öffnen:

DE

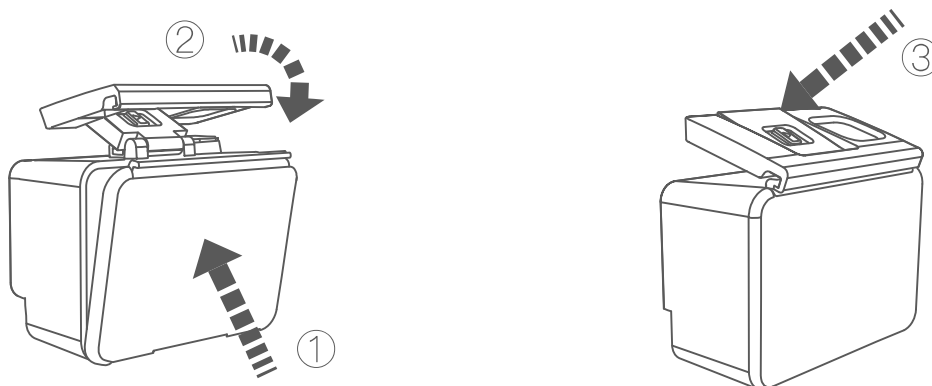


Um das wasserdichte Gehäuse zu öffnen, schieben sie zuerst den Schalter oben nach rechts (siehe Pfeil).

Drücken Sie die Schnalle nach oben.

Öffnen Sie die hintere Abdeckung.

B. Wasserdichtes Gehäuse schließen:



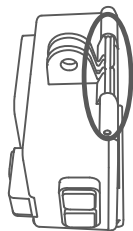
- Um das wasserdichte Gehäuse zu schließen, Drücken Sie zuerst die hintere Abdeckung wie abgebildet an das Gehäuse.
- Schließen Sie die Schnalle, und verbinden sie mit der hinteren Abdeckung (wie abgebildet).
- Drücken Sie die Schnalle nach unten.

## Staubschutzcover ersetzen

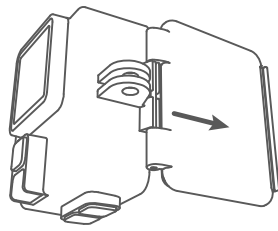
Das Kameragehäuse wird mit zwei Schutzabdeckungen geliefert, eine ist wasserdicht und die andere ist staubdicht. Bitte beachten Sie, dass die staubdichte Abdeckung der Kamera NICHT vor Wasserdicht ist.

DE

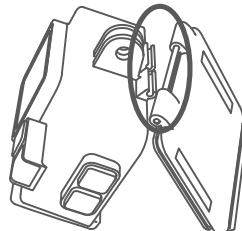
- Die Schutzhülle ist für Unterwasser, Strand, Staub und andere widrige Umwelteinflüsse;
- Die staubdichte Schutzhülle schützt vor Staub, verbessert die Mikrofonqualität und reduziert Windgeräusche beim Fahren, Joggen und anderen Sportarten.



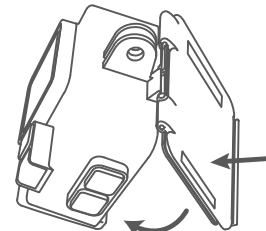
Step 1



Step 2



Step 3



Step 4

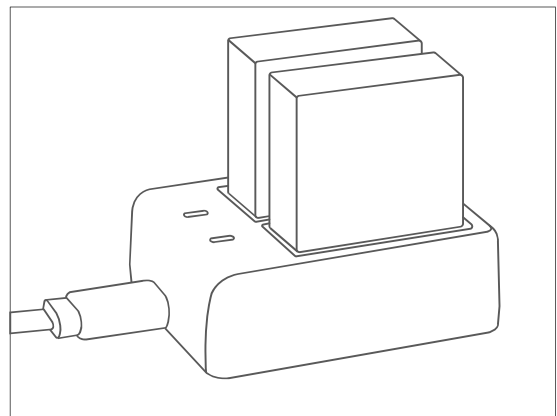
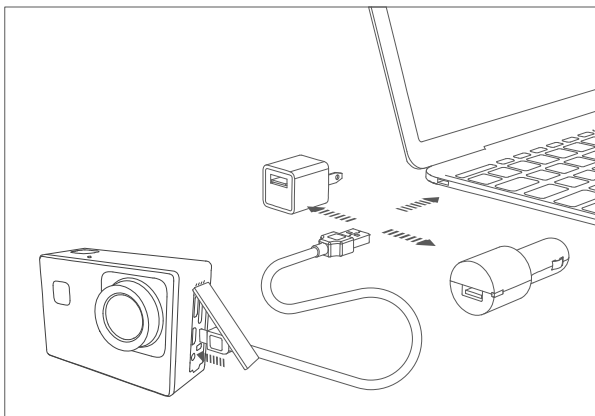
- Um das staubdichte Gehäuse zu ersetzen, finden Sie zuerst den Schlitz des wasserdichten Gehäuses, wie in Schritt 1 gezeigt.
- Es lässt sich nach unten abnehmen, wie Schritt 2 Bild zeigt, halten Sie es so, dass Sie den Schlitz sehen an der Vorderseite des Gehäuses, nehmen Sie die wasserdichte Rückseite ab.
- Nehmen Sie die staubdichte Rückabdeckung aus Ihrem Zubehör, das zwei Zwischenräume auf der linken und rechten Seite hat. Setzen Sie die untere Hälfte der Abdeckung in den Steckplatz ein und drücken Sie dann die obere Hälfte in den Steckplatz wie Schritt 4 darstellt, bis die gesamte hintere Abdeckung vollständig installiert ist.

## Batterien laden und einsetzen

Der Akku und die Kamera sind separat verpackt. Bitte stellen Sie sicher, dass der Akku vollständig geladen ist, bevor Sie die Kamera starten.

DE

### A. Batterie Aufladen



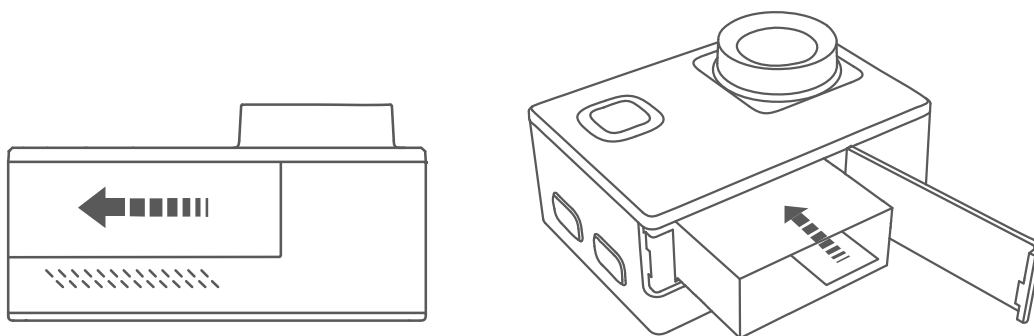
- Bitte beachten Sie, dass das duale USB-Ladegerät nicht in der Kameralieferung enthalten ist. Sie müssen möglicherweise eines kaufen, wenn Sie möchten. Oder Sie können den Akku innerhalb der Kamera über das USB-Kabel aufladen.
- Schließen Sie das Ladegerät mit einem USB-Kabel an, Sie können es mit einem Netzstecker oder mit einem Computer verbinden. Das Aufladen mit dem Computer ist möglicherweise langsamer als die Verwendung eines Netzteils, da die USB-Anschlüsse des Computers weniger Strom liefern.
- Legen Sie die beiden Batterien in das Ladefach ein. Wenn das Ladegerät eingeschaltet ist, zeigt das rote Licht an, dass die Batterien geladen werden, das blaue Licht zeigt an, dass die Batterien vollständig geladen sind.

- Beim Laden in der Kamera zeigt das rote Licht der Kamera an, dass der Akku geladen wird, rotes Licht bedeutet, dass der Akku vollständig geladen ist

Die normale Vollladezeit beträgt ca. 3,5 Stunden. Es sollte darauf geachtet werden, dass die Batterien nicht überladen sind.

DE

## B. Einlegen des Akkus



- Finden Sie den Akkufach der Kamera. Drücken Sie auf den Akkufachdeckel und schieben Sie ihn gleichzeitig entsprechend der Pfeilrichtung auf dem Akkufachdeckel, der Akkufachdeckel springt dann auf.
- Installieren Sie den Akkufachdeckel, nachdem die Akku eingesetzt worden ist.

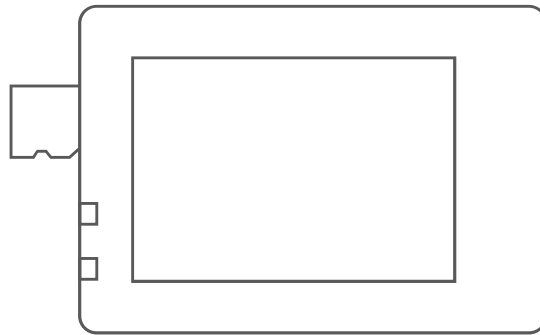
Beachten Sie dabei die Richtung der Akku und der Akkuabdeckung.

Bitte entfernen Sie nicht die Akkuzuglasche, die Ihnen hilft, die Akku leicht herauszuziehen.

## SD Karten einsetzen und formatieren

A. Wie setzen Sie die SD-Karte richtig ein?

DE



- Wenn Sie die SD Karte einsetzen, achten Sie darauf, daß der beschriftete Teil der Karte in Richtung Bildschirm zeigt. Beim Einsetzen klickt die Karte, wenn sie einrastet.
- Drücken sie leicht auf die SD Karte, bis es klickt, die SD Karte wird mit Federmechanismus aus dem Halter geschoben.

Halten Sie Ihren Daumen vor den Kartenschlitz, damit die Karte nicht herausfällt.



## B. Wie formatieren Sie die SD-Karte richtig?

- Die SD-Karte nur im ausgeschalteten Zustand einführen und dann die Kamera einschalten.
- Drücken Sie eine beliebige Taste, die Kamera wird eingeschaltet "Bitte SD-Karte einlegen"; Drücken Sie die Ein- / Austaste 3–4 Mal, um in den Menümodus zu gelangen.
- Suchen Sie nach dem Einstellungselement "Format", wählen Sie "SD-Karte" und drücken Sie die OK-Taste, um das Format zu vervollständigen.

Die Kamera unterstützt normale Marke Micro SD-Karte, Klasse 10 oder höher, 8 GB bis 64 GB, bitte stellen Sie sicher, dass es eine einwandfreie Micro-SD-Karte ist.

Sie müssen die Micro SD-Karte vor der Verwendung mit der Kamera formatieren. Wenn Sie Probleme beim Formatieren haben, wenden Sie sich bitte an den Kundendienst unter [support.ac.de@apemans.com](mailto:support.ac.de@apemans.com)

## Inbetriebnahme

Die A79-Serie verfügt über vier Arten von Modi: Video-/Fotomodus, Wiedergabemodus, Einstellungsmodus, Beenden.

DE Nachfolgend finden Sie die Funktionsanweisungen für jede Taste in diesen Modi.

### Ein- / Ausschalten

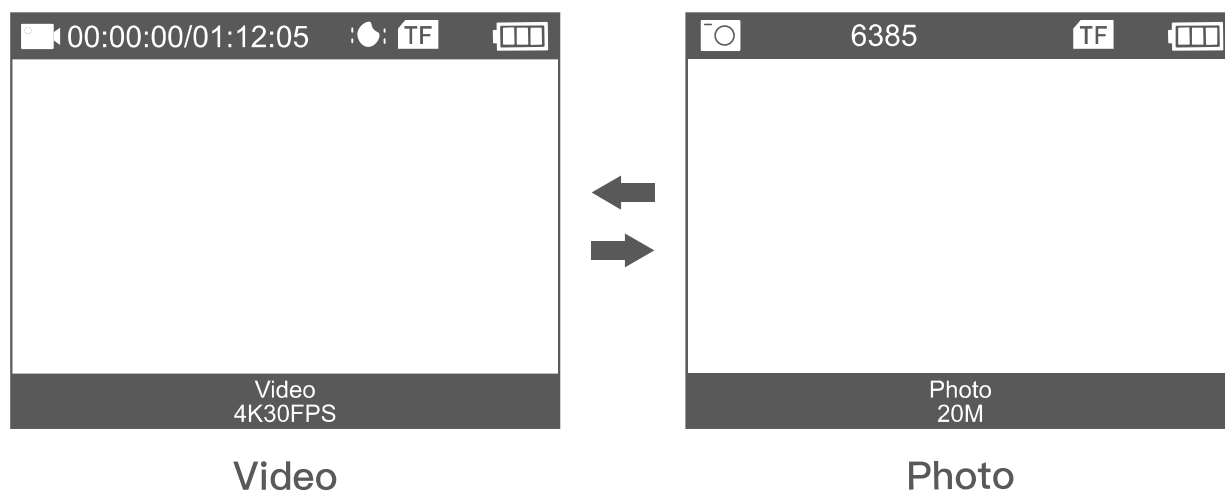
Drücken Sie kurz die «Power/MODE Taste» um die Kamera einzuschalten.

Ein langer Druck auf die Power/MODE Taste schaltet die Kamera aus.

funktioniert in jedem Modus.

### Modi wechseln





Schalten Sie die Kamera ein und drücken Sie wiederholt die **【Netz/Modus】** Taste, um durch die Kameramodi zu schalten. Die Modi erscheinen in folgender Reihenfolge.



## MENÜ-TABELLE

Drücken Sie nach dem Einschalten lange die **【OK/Auslöser】** . Taste nach dem Einschalten, um das Einstellungsmenü aufzurufen. Drücken Sie die Taste **【Up】** oder **【Down】** . Drücken Sie die Taste **【OK/Auslöser】** , um die gewünschte Option auszuwählen. Taste, um die gewünschte Option auszuwählen. Drücken Sie die Taste **【Netz/Modus】** , um die Benutzeroberfläche zu verlassen.

**Einstellungsmenü:** Modusauswahl, Plackback-Modus, System- und Video-/Fotoeinstellungen und Beenden.









- ① Modusauswahl
- ② Plackback
- ③ System- und Video/Foto-Einstellungen
- ④ Beenden

## MODUSAUSWAHL

Drücken Sie nach dem Einschalten die **【OK/Auslöser】** –Taste lang, um das Einstellungsmenü aufzurufen.

Wählen Sie Mode Select, Hier können Sie Video- und Bildmodi wählen

DE

Model Select			×
 Video	 Slowly	 Loop	 Lapse
 Photo	 Auto	 Burst	 Timer

**Video-Modi:** Video/Langsam/Loop/Lapse

**Bildmodi:** Foto/Auto/Burst/Time

## VIDEO-MODUS

In der oberen linken Ecke des Kamerabildschirms wird ein Videosymbol angezeigt. Bitte bestätigen Sie, dass Sie Ihre Videoeinstellungen eingerichtet haben. Wenn das Video-Symbol in Ihrem Kamera-LCD nicht angezeigt wird, drücken Sie lang die **【OK/Auslöser】** Taste zum Menü und wählen Sie den Videomodus in der Modusauswahl (z. B. Video/Langsam/Loop/Lapse).

DE

### **Zum Starten der Aufnahme:**

Zum Drücken der **【OK/Auslöser】** . Taste. Während der Aufnahme blinkt die Kamerastatusleuchte (blau) auf der linken Seite des Bildschirms, das Aufnahmesymbol in der linken Ecke des Bildschirms wird rot.

### **Um die Aufnahme zu stoppen:**

Drücken Sie die **【OK/Auslöser】** . Taste erneut. Das Kamerastatuslicht (blau) auf der linken Seite des Bildschirms und das Aufnahmesymbol in der oberen linken Ecke des Bildschirms werden weiß, um anzuzeigen, dass die Aufnahme gestoppt wurde.

Bitte beachten Sie auch, dass im langsamen Videomodus und im Zeitraffermodus die Mikrofonaufnahme nicht unterstützt wird.

### **So schalten Sie die Audioaufnahme ein/aus:**

Drücken Sie die Abwärtstaste. Das MIC-Symbol zeigt den Status in der oberen rechten Ecke des Bildschirms an.

**Tipp:**

Diese Kamera beendet die Aufnahme automatisch, wenn der Akku leer ist. Ihr Video wird gespeichert, bevor sich die Kamera ausschaltet. Diese Kamera beendet die Aufnahme automatisch, wenn die SD-Karte voll ist, wenn die Schleifenaufnahmefunktion ausgeschaltet ist. Die Dateien werden in der Aufnahmereihenfolge überschrieben, wenn die SD-Karte voll ist, wenn die Schleifenaufzeichnungsfunktion eingeschaltet ist.

DE

## FOTO-MODUS

In der oberen linken Ecke des Kamerabildschirms wird ein Kamerasymbol angezeigt. Bitte bestätigen Sie, dass Sie Ihre Fotoeinstellungen eingerichtet haben.

Wenn das Kamera-Symbol in Ihrem Kamera-LCD nicht angezeigt wird, drücken Sie lange die **【OK/Auslöser】** -Taste zum Menü und wählen Sie den Foto-Modus in der Modellauswahl (z. B. Foto/Auto/Burst/Timer).

DE

### Um ein Foto aufzunehmen:

Drücken Sie die **【OK/Auslöser】** . Taste. Die Statusleuchte der Kamera (blau) blinkt einmal auf der linken Seite des Bildschirms, und die Kamera gibt einen Auslöseton ab (Lautstärke in den allgemeinen Einstellungen muss eingeschaltet sein).

### Auto-Foto:

Drücken Sie die **【OK/Auslöser】** . Taste. Die Kamera macht ein Foto nach der von Ihnen eingestellten Zeit.

### Burst Photo Serie:

Drücken Sie die **【OK/Auslöser】** . Taste, wird die Kamera kontinuierlich die von Ihnen eingestellte Anzahl von Fotos aufnehmen. Zu diesem Zeitpunkt wird das in Zeitrafferfoto eingestellte Zeitintervall ungültig.

### Zeitraffer-Foto:

Drücken Sie die **【OK/Auslöser】** . Taste. Es öffnet sich ein Uhrensymbol in der Mitte des Kamerabildschirms. Die auf dem Symbol angezeigte Zahl ist das Zeitintervall für die Aufnahme von Bildern.

# WIEDERGABE

## Wiedergabe von Videos und Fotos

Drücken Sie lang die **【OK/Auslöser】** Taste nach dem Einschalten, um das Einstellungsmenü aufzurufen. Wählen Sie den Wiedergabemodus in der oberen rechten Ecke.

DE

Drücken Sie die **【Auf/Ab】** –Taste, um die Videos oder Fotos durchzuschalten und drücken Sie dann die **【OK/Auslöser】** –Taste zum Abspielen/Stoppen der gewünschten Optionen.

## Dateien löschen

Drücken Sie in der Dateivorschau die Taste **【OK/Auslöser】** , um auszuwählen, ob Sie die aktuelle Datei löschen möchten.

Drücken Sie während der Wiedergabe von Videos lange die Taste DOWN, um das Video vorzuspulen, und die Taste UP, um zurückzuspulen.

## Beenden des Wiedergabemodus

Drücken Sie den **【Netz/Modus】** Button.

**Tipps:** Da verschiedene Kameras unterschiedliche Dateiformate unterstützen, können Dateien, die auf anderen Kameras mit der gleichen Speicherkarte aufgenommen wurden, möglicherweise nicht auf dieser Kamera wiedergegeben werden.



# EINSTELLUNG

## Video-Einstellung

Drücken Sie **【OK/Auslöser】** Button zum Bestätigen.

Drücken Sie **【Auf/Ab】** Button zum Auswählen.

Drücken Sie **【Netz/Modus】** Taste, um zurückzukehren.

**Video-Auflösung:** 4K 30fps/2.7K 30fps/1080p 60fps/1080p  
30fps/720p 120fps/720p 60fps/720p 30fps  
Die Standardauflösung ist 4K 30fps.

**EIS:** Aus/Ein.

Wählen Sie, ob der Verwacklungsschutz ein-/ausgeschaltet werden soll.

**Verzeichnungskorrektur:** Aus/Ein.

Wählen Sie, um die Verzerrungskorrektur ein-/auszuschalten.

EIS und Verzeichnungskorrektur können nicht gleichzeitig eingeschaltet werden.

**Weißabgleich:** Auto/Sonnig/Wolkig/Glühlampenlicht/Fluoreszenz

**Belichtungseinstellung:** -3.0~0~+3.0

**Belichtungsmessmod:** Durchschnittsmessung/Zentrums-  
messung/Punktmessung/Matrixmessung

**Schärfe:** Hoch/Mittel/Niedrig

**Videoqualität:** Hoch/Mittel/Niedrig

**ISO:** Auto/100/200/400/800/1600/3200/6400

ISO bezieht sich auf die Lichtempfindlichkeit des Films oder des Bildsensors. Neben der einfachen Änderung der Belichtung wirkt sich der ISO-Wert auch auf die Bildqualität aus.

Ein höherer ISO-Wert bedeutet normalerweise ein "verraushtes" oder "körniges" Bild.

**Zeit-Wasserzeichen:** EIN/AUS

**Tonaufnahme:** EIN/AUS

**Langsam aufnehmen:** 1080P 2X/720P 4X

**Looping Rec Auflösung:** 4K 30fps/2.7K 30fps/1080p 60fps/1080p 30fps/720p 120fps/720p 60fps/720p 30fps

**Videoschleifenlänge:** 2 Min./3 Min./5 Min.

Wenn diese Funktion eingeschaltet ist, wird das aufgenommene Video in der von Ihnen eingestellten Zeit segmentiert.

**Zeitraffer-Aufnahme Auflösung:** 4k/2.7k/1080P/720P

**Rec Interval:** 0.5s/1s/2s/5s/10s/30s/60s/

Das aufgezeichnete Video wird auf die von Ihnen eingestellte Zeitlänge komprimiert. So kann z. B. ein Bild einer Szene einmal pro Sekunde aufgenommen und dann mit 30 Bildern pro Sekunde wiedergegeben werden; dies entspricht einer 30-fachen Geschwindigkeitssteigerung.

**Videolänge:** Unbegrenzt/6s/8s/10s/20s/30s/60s/120s

## Fotoeinstellung

Drücken Sie **【OK/Auslöser】** Button zum Bestätigen

Drücken Sie **【Auf/Ab】** Button zum Auswählen

Drücken Sie die Taste **【Netz/Modus】** zurück

**Foto-Pixel-Einstellung:** 20M/16M/13M/8M

Die Standardauflösung ist 20M

**Belichtungseinstellung:** -3.0~0~+3.0

**Belichtungsmessung:** Durchschnittsmessung/Zentrums-  
messung/Punktmessung Belichtungsmessung/Matrixmessung

**Schärfe:** Hoch/Mittel/Niedrig

**ISO:** Auto/ISO100/ISO200/ISO400/ISO800/ISO1600/ISO3200/ISO6400

**Zeit-Wasserzeichen:** EIN/AUS

**Automatisches Fotointervall:** 3s/10s/15s/20s/30s/

**Weißabgleich:** Auto/Sonnig/Wolkig/Glühlampenlicht/Fluoreszenz

**Burst-Fotofrequenz:** 3p/s,5p/s,10p/s

Drücken Sie die **【OK/Auslöser】** Taste einmal, um mehrere Bilder hintereinander aufzunehmen.

**Zeitraffer-Countdown:** 3s/5s/10s/20s/

Nachdem Sie die **【OK/Auslöser】** Taste einmal gedrückt haben, nimmt die Kamera Fotos in 3/5/10/20 Sekunden auf.

## Allgemeine Einstellung

**Bilddrehung:** EIN/AUS

Wenn diese Einstellung eingeschaltet ist, wird der Bildschirm der Kamera nach oben und unten gespiegelt.

DE

**Wi-Fi:** EIN/AUS

**Wi-Fi-Informationen:** Anzeigen von WIFI-Name und Passwort

**Wi-Fi zurücksetzen:** Bestätigen/Abbrechen

**Lichtquellenfrequenz:** Auto/50HZ/60HZ

**LED-Anzeige:** EIN/AUS

**Automatischer Bildschirmschoner:** AUS/3 s/1Minute/2 Minuten

Nach einer bestimmten Zeit, wenn keine Bedienung an der Kamera erfolgt, wird der Bildschirm automatisch schwarz. Zu diesem Zeitpunkt schaltet sich die Kamera nicht aus, Sie können eine beliebige Taste drücken, um den Bildschirm zu beleuchten.

**Auto Power Off:** OFF/3 Minuten/5 Minuten/10 Minuten

Wenn nach der eingestellten Zeitspanne keine Bedienung an der Kamera erfolgt, schaltet sich die Kamera automatisch ab.

**Tastenaufforderung:** AUS/Hoch/Mittel/Tief

Stellen Sie den Ton beim Drücken von Tasten ein.

**Sprache:** English/Español//Portugues/Русский/ 简体中文 / 繁体中文 / Deutsch/Italiano/Français/ 日本語 .

**Zeitformat:** JJ/MM/TT,MM/TT/JJJ,TT/MM/JJ

**Zeit einstellen:** Zeitstempel auf Fotos und Videos.

Verwenden Sie die **【Auf/Ab】** –Taste, um den Wert zu ändern, benutzen Sie die **【OK/Auslöser】** Taste, um zum nächsten Punkt zu gelangen.

Verwenden Sie die **【Modus/Netz】** Taste, um zurückzukehren.

### **Datum einstellen:**

Verwenden Sie die **【Auf/Ab】** –Taste, um den Wert zu ändern, Verwenden Sie die **【OK/Auslöser】** Taste, um zum nächsten Punkt zu gelangen.

Verwenden Sie die **【Modus/Netz】** Taste, um zurückzukehren.

**Tipps:** Da die Kamera keine eingebaute Batterie hat, wird die Uhrzeit der Kamera beim nächsten Einschalten auf den 01.01.2019 zurückgesetzt, wenn die Batterie entfernt wird oder die Kamera während der Aufnahme nicht mit Strom versorgt wird, und Sie müssen dann die Uhrzeit in den Einstellungen neu einstellen.

### **Formatieren:** Bestätigen/Abbrechen

Formatieren Sie die Speicherkarte in der Kamera. Sobald dieser Vorgang durchgeführt wird, werden alle Daten gelöscht. Wir empfehlen Ihnen, die Speicherkarte vor der Verwendung in der Kamera zu formatieren.

**Geräte-Info:** Anzeige des Gerätemodells, der Softwareversion und des Aktualisierungsdatums

### **Werksrückstellung:** Bestätigen/Abbrechen

Stellt alle Kameraeinstellungen auf die Standardeinstellungen zurück.

### **Beenden**

Drücken Sie die Taste **【OK/Auslöser】** , um die Einstellungen zu verlassen.

## WiFi/Computer/Fernseher-Verbindung

### Wi-Fi-Verbindung

Verbinden mit dem Wi-Fi

DE

Mit der Wi-Fi-Anwendung können Sie Ihre Kamera über ein Smartphone oder Tablet fernsteuern. Sie können die Videos oder Bilder auf Ihrem Smartphone ansehen und die Aufnahmen herunterladen. Die Verbindungsschritte sind wie folgt:

- Laden Sie die APEMAN (oder XDV PRO) App auf Ihr Smartphone oder Tablet in Google Play oder Apple App Store herunter.
- Drücken Sie die **【Auf】** Taste, um Wi-Fi einzuschalten, nachdem Sie die Kamera eingeschaltet haben. Die Statusleuchte (gelb) auf der Oberseite der Kamera blinkt, während die Kamera auf eine Wi-Fi-Verbindung wartet, und die Leuchte bleibt an, wenn das Wi-Fi verbunden ist.
- Suchen Sie das Wi-Fi in der Wi-Fi-Liste auf Ihrem Telefon und verbinden Sie es mit dem auf der Kamera angezeigten Wi-Fi-Namen und Passwort.
- Öffnen Sie die APEMAN (oder XDV PRO) App auf Ihrem Smartphone oder Tablet, nachdem das Wi-Fi verbunden ist, Sie werden feststellen, dass die Kamera von Ihrem Telefon gesteuert wird.

## Tipps:

- Drücken und halten Sie die Aufwärtstaste erneut, um das Wi-Fi auszuschalten.
- Die Kamera kann sich immer nur mit einem Gerät gleichzeitig verbinden.
- Die Wi-Fi-Verbindung verbraucht etwas Strom. Vermeiden Sie es daher, eine Wi-Fi-Verbindung herzustellen, wenn die Akkuleistung gering ist.

Die APEMAN App ist mit den unten aufgeführten Smartphones und Tablets kompatibel:

### Für Apple iOS

- iPhone (über 5S), iPad Air & Mini & Pro, iPod touch(über IOS9)

### Für Android

- über Android 5.0

App verfügbar auf:



## Anschluss an einen Computer

Es gibt drei Optionen, wenn Sie das mitgelieferte Micro-USB-Kabel zum Anschluss an einen Computer verwenden: Lademodus, Massenspeicher-Modus, Kamera-Modus.

**DE** Drücken Sie die Taste **【Auf/Ab】** , um zwischen diesen drei Modi zu wechseln und drücken Sie die Taste **【OK/Auslöser】** , um sie zu aktivieren.

**Lademodus:** Das USB-Kabel wird nur als Ladekabel verwendet. In diesem Modus können Sie die Kamera weiterhin benutzen.

**Massenspeicher-Modus:** Zugriff auf die Dateien, die auf der Micro-SD-Karte der Kamera gespeichert sind, um sie auf einen Computer zu kopieren oder anzusehen. Diese Funktion kann auch mit einem Micro-SD-Kartenleser erreicht werden.

**Kamera-Modus:** Verwendung als Webcam für Videochats und Videoaufnahmen auf dem Computer. Möglicherweise müssen Sie zunächst den Adobe Flash Player in Ihrer Videochat-Software zulassen, wenn Sie die Kamera als Webcam verwenden möchten.



## Anschluss an Fernseher

Mit dem HDMI-Ausgang können Sie die von dieser Kamera aufgenommenen Filme und Bilder auf großen Bildschirmen von Fernsehern, Projektoren usw. anzeigen,

–Schalten Sie die Kamera aus.

–Verbinden Sie die Kamera und das Fernsehgerät mit einem handelsüblichen Micro-HDMI-Kabel (NICHT IM LIEFERUMFANG).

–Schalten Sie die Kamera ein und aktivieren Sie die HDMI-Einstellung an dem Gerät, das Sie eingeben möchten.

Tipps:

- Das HDMI-Eingangsgesamt sollte 1080P unterstützen.
- Wenn Sie HDMI ausgeben, wird das Display der Kamera schwarz. Der Bildschirm wird auf dem HDMI-Eingabegerät angezeigt, aber die Bedienung erfolgt mit der Kamera.

## Bedienung der Kamera über die 2,4GHz-Fernbedienung

Verwenden Sie die Fernbedienung, um Fotos oder Videos aufzunehmen, indem Sie die Fototaste (rot) oder die Videotaste (grau) berühren. Sie arbeitet im aktuellen Foto- oder Videomodus oder schaltet zur Aufnahme in den Standard-Foto- oder Videomodus. Nach längerem Gebrauch muss die Batterie irgendwann ausgetauscht werden. Lösen Sie die vier kleinen Schrauben auf der Rückseite des Gehäuses und ersetzen Sie sie durch eine neue CR2025-Zellenbatterie.

## Product Specifications

DE

Modell	A79
Sensor	Sony IMX135
Linse	170 ° Weitwinkelobjektiv (einstellbar)
Bildschirm	2 Inch LCD
Bildauflösung	20M/16M/12M/8M
Videoformat	H.264–Code; MP4
Bildformat	JPEG
WiFi Verbindung	Android / iOS unterstützt (5 Meter)
Mirco SD–Karte	Klasse 10, FAT 32, 8 GB–64 GB
EV	Auto(–3.0~3.0EV)
Schnittstelle	Micro USB / Micro HDMI / DC2.5 Mikrofon
Ladezeit	Ungefähr 3 Stunden (5V / 2A)
Wasserdichte Tiefe	40M/131.2ft
Betriebstemperatur	0°C~45°C
Batterie	1050mAh Lithium–Ionen–Batterie
Kundendienst Kontakt	support.ac.de@apemans.com

## Garantie

Alle APEMAN-Produkte haben eine beschränkte Garantie von 12 Monaten ab Kaufdatum. Und wir haben ein professionelles Kunden-dienstteam für ihre Unterstützung rund um die Uhr. Wenn Sie irgendwelche Fragen oder Anregungen zu unserem Produkt oder die Garantie haben, zögern Sie nicht, uns per E-Mail zu kontaktieren. Wir werden uns bemühen, Ihnen innerhalb von 24 Stunden zu antworten und werden unser Bestes tun, um Ihnen zu helfen, das Problem zu lösen, bis Sie zufrieden sind.

DE

Complaint Mailbox: support.ac@apemans.com  
US/CA support.ac.us@apemans.com  
JP support.ac.jp@apemans.com  
UK support.ac.uk@apemans.com  
DE support.ac.de@apemans.com  
FR support.ac.fr@apemans.com  
IT support.ac.it@apemans.com  
ES support.ac.es@apemans.com

## Table des Matières

Avertissement et Précaution.....	55
Introduction du Produit.....	56
Introduction des Boutons	
<b>Préparation et Installation .....</b>	<b>57</b>
Boîtier Étanche : Comment Ouvrir et Fermer	
Remplacement de la Couverture Antipoussière	
Chargement de la Batterie et Installation	
Insertion de la Carte SD et Formatage	
<b>Introduction des Opérations .....</b>	<b>62</b>
ON/OFF	
Introduction des Modes	
Menu de Paramétrage	
<b>Connexion Wi-Fi/ à l' Ordinateur/TV .....</b>	<b>74</b>
<b>Spécifications.....</b>	<b>78</b>
<b>Garantie.....</b>	<b>79</b>

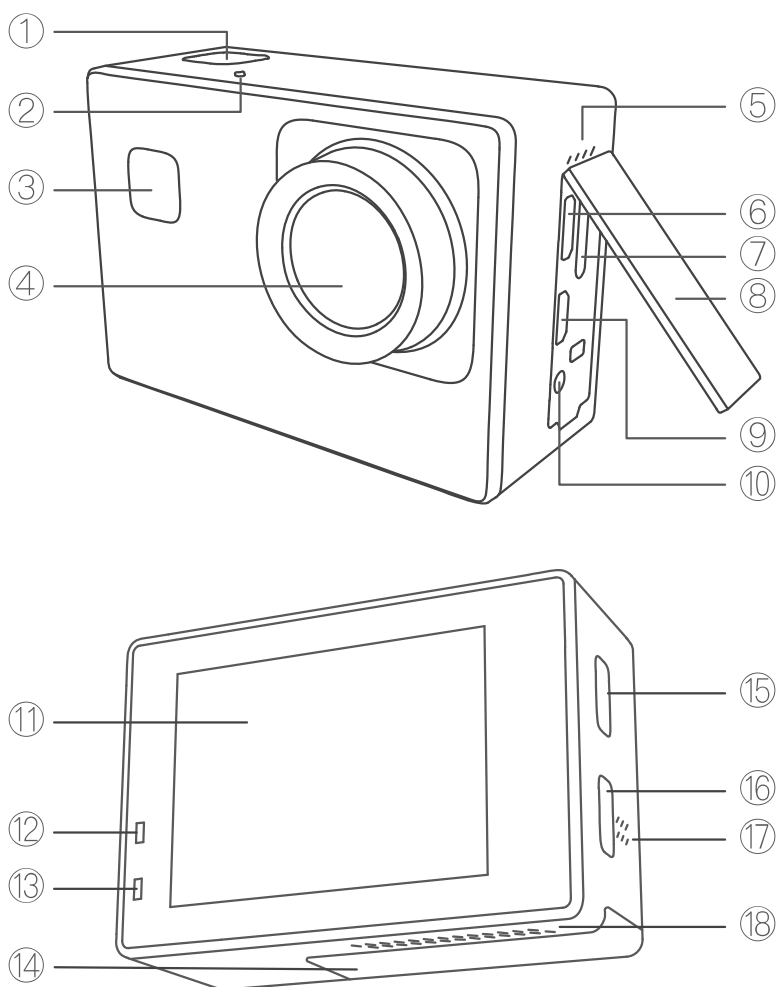
FR

## Avertissement et Précaution

- Veuillez ne pas faire tomber la caméra.
- Gardez-la à distance de tout objet d'interférence magnétique puissant, afin d'éviter les fortes ondes radio qui pourraient endommager le produit et affecter la qualité du son ou de l'image.
- Tenez la caméra éloignée de l'eau et des liquides (à moins d'être équipé d'un boîtier étanche). Cela peut provoquer un dysfonctionnement de la caméra.
- Gardez hors de portée des enfants pendant la charge. Pour charger complètement la batterie il faut environ 2 heures. Nous vous conseillons de retirer la batterie de la caméra après utilisation afin d'éviter toute perte de charge de la batterie.
- Nous vous recommandons d'utiliser une carte Micro SD Classe 10 de haute qualité (max 32 Go) pour de meilleurs résultats. Veuillez formater la carte micro SD sur la caméra avant de l'utiliser et redémarrez la caméra après le formatage.
- N'exposez pas le produit directement à des températures supérieures à 45 ° C.
- Ne placez pas d'objets lourds sur la caméra.
- Ne placez pas votre carte Micro SD à proximité d'objets magnétiques puissants pour éviter toute erreur ou perte de données.

## Introduction des Boutons

FR

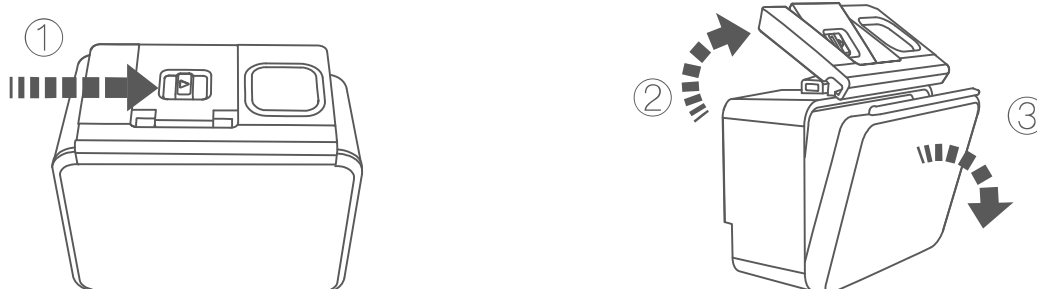


- |                             |                                       |
|-----------------------------|---------------------------------------|
| ① Bouton OK/Obturbateur     | ⑩ Interface Microphone Externe        |
| ② Indicateur Wi-Fi          | ⑪ Affichage                           |
| ③ Bouton Mode/Power         | ⑫ Indicateur de charge                |
| ④ Objectif de la Caméra     | ⑬ Indicateur de travail               |
| ⑤ Microphone                | ⑭ Couverture de la batterie (Pousser) |
| ⑥ Port Micro-USB            | ⑮ Bouton Haut/Wi-Fi                   |
| ⑦ Fente pour Carte TF       | ⑯ Bouton Bas                          |
| ⑧ Protection Anti-Poussière | ⑰ Haut-parleur                        |
| ⑨ Port Micro-HDMI           | ⑱ Trous de ventilation                |

## Préparation et Installation

### Boîtier Étanche : Comment Ouvrir et Fermer

#### A. Comment ouvrir correctement le boîtier étanche :



1. Pour ouvrir le boîtier étanche, passez d'abord l'interrupteur du haut vers la droite, comme indiqué par la flèche.
2. Tirez la boucle du boîtier étanche.
3. Ouvrez le couvercle arrière du boîtier étanche.

#### B. Comment fermer correctement le boîtier étanche :



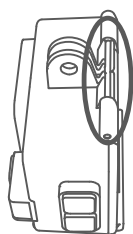
- Pour fermer le boîtier étanche. Premièrement, veuillez comprimer le couvercle arrière du boîtier étanche comme la figure 1.
- Veuillez tirer la boucle vers le bas et la connecter avec le couvercle arrière comme la figure 2.
- Abaissez la boucle du boîtier étanche comme la figure 3.

## Remplacement de la Couverture Antipoussière

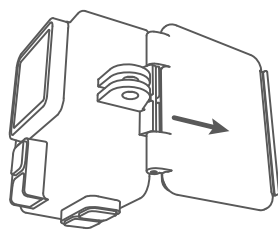
Le boîtier de la caméra est configuré avec deux couvercles de protection, un pour l'imperméabilisation, l'autre pour l'antipoussière ne peut pas imperméabiliser la caméra, sélectionnez le boîtier en fonction de l'environnement.

FR

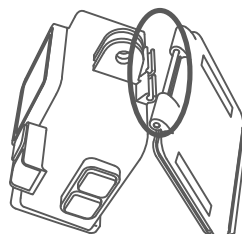
- La couverture de protection protège la caméra sous-marine, en plage, antipoussière et d'autre environnement défavorable.
- Le couvercle de protection aide à recevoir le son, et peut également réduire le bruit du vent comme faire du vélo, du jogging et d'autres sports.



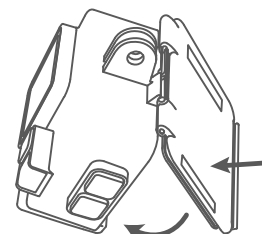
Step 1



Step 2



Step 3



Step 4

- Pour remplacer le boîtier étanche à la poussière, d'abord il faut trouver la fente du boîtier étanche comme montré à l'étape 1.
- Tenez le boîtier avec votre main comme étape 2, faites face à la fente sur le devant, et puis détachez le couvercle arrière .
- Prenez le couvercle arrière dans les accessoires, celui qui a des espaces sur les deux côtés gauches et droits. Ensuite, insérez la moitié inférieure du couvercle dans la fente, puis y poussez la moitié supérieure jusqu'à ce que tout le couvercle arrière soit totalement installé.

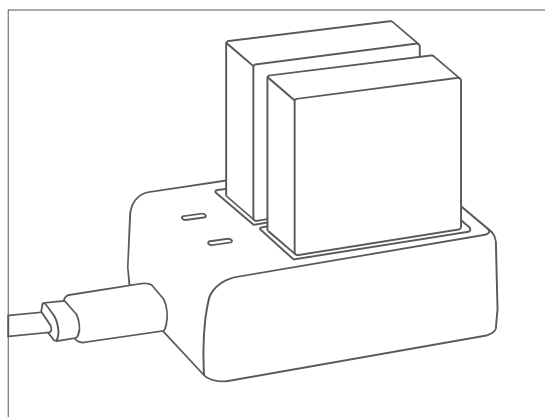
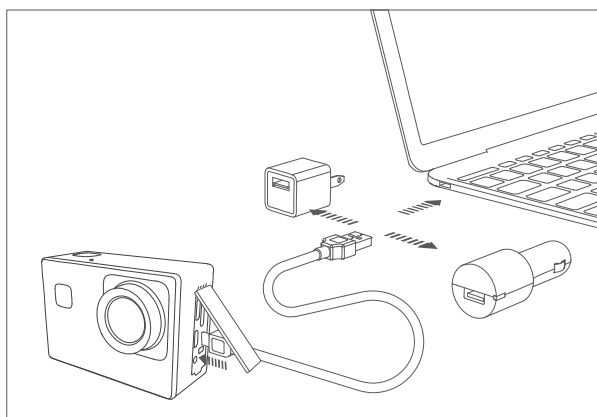


## Chargement de la Batterie et Installation

La batterie et la caméra sont emballées séparément. Assurez-vous que la batterie est complètement chargée et insérée dans la caméra avant de démarrer l'appareil.

### A. Batterie Aufladen

FR

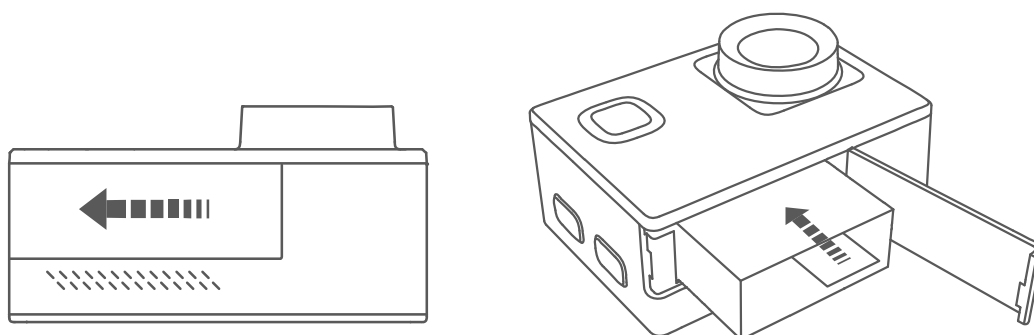


- Trouvez le câble USB de charge de batterie dans les accessoires.
- Placez la batterie dans la caméra. Puis connectez la caméra et le chargeur par câble USB. Vous pouvez charger la batterie avec la prise d'alimentation ou avec l'ordinateur. La charge avec l'ordinateur peut être plus lente qu'avec un adaptateur d'alimentation en raison de la faible puissance de sortie des ports USB de l'ordinateur.
- Insérez les deux batteries dans le compartiment de chargement. Lorsque le chargeur est en fonctionnement, le voyant rouge signifie qu'il est en charge, le voyant bleu signifie qu'il a été complètement chargé.

Le temps de charge normal est d'environ 3,5 heures, ne chargez pas la batterie pendant trop longtemps !

FR

## B. Installation de la batterie



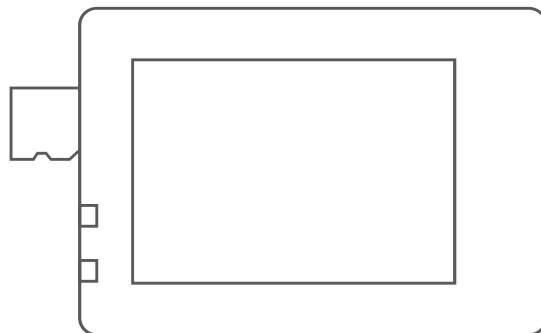
- Trouvez le compartiment de la batterie de l'appareil. Appuyez sur le couvercle de la batterie et faites-le glisser dans le sens de la flèche qui se trouve sur le couvercle ; en même temps, le couvercle de la batterie s'ouvre.
- Refermez le couvercle de la batterie après que la batterie ait été insérée.

Faire attention au sens de la batterie et du couvercle .

Ne retirez pas le strap de la batterie, il vous aide à la retirer facilement.

## Insertion de la Carte SD et Formatage

### A.Insertion et extraction de carte SD :



FR

- Ouvrez le couvercle protection anti-poussière sur la glissière de gauche, trouvez la fente pour carte Micro SD dans l'appareil, et insérez la carte dans l'appareil en suivant la direction et poussez à l'intérieur.
- Sortez la carte SD : Appuyez sur la carte SD jusqu'à ce que vous entendiez un son d'insertion ; la carte SD sortira alors avec un son de claquement.

### B.Formatage de la Micro SD

- Insérez la carte Micro SD puis allumez la caméra.
- Appuyez et Tenez le bouton **【OK/Obturbateur】** pendant 2 secondes pour entrer dans le mode menu.
- Appuyez sur **【Bas】** pour entrer dans le mode réglage, puis appuyez sur **【Power/Mode】** bouton pour entrer dans la partie réglage, trouvez la fonctione formater et confirmer.

## Introduction des Opérations

La caméra A79 propose quatre types de mode: Mode Vidéo/Photo, Mode Lecture, Mode Réglages, Sortie.

Vous trouverez ci-dessous les instructions de fonctionnement de chaque bouton de ces modes.

FR

### ON/OFF

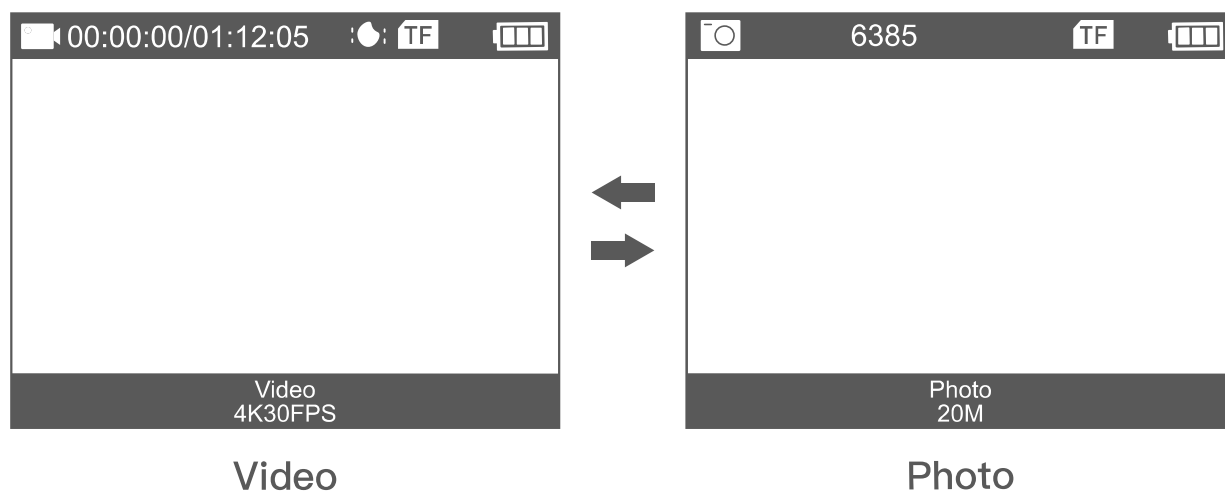
Apuyez brièvement sur 「Bouton d'allumage/Button de mode」 :  
Allumer la caméra.

Apuyez longuement sur 「Bouton d'allumage/Button de mode」 :  
Éteindre la caméra.

sous chaque mode.

### Introduction des Modes





Allumez la caméra et appuyez plusieurs fois sur le bouton  
【Power/MODE】 pour faire défiler les modes de la caméra, qui  
apparaissent dans l'ordre suivant.



## TABLEAU DES MENUS

Appuyez longuement sur le bouton **【OK/Obturbateur】** après la mise sous tension pour entrer dans le menu des paramètres. Appuyez sur le bouton **【Haut】** ou **【Bas】** Pour faire défiler les options différentes, appuyez sur le bouton **【OK/Obturbateur】** pour sélectionner l'option souhaitée. Appuyez sur le bouton **【Power/– Mode】** pour quitter l'interface.

Menu de réglage : Mode Sélection, Mode Lecture, Système et paramètre photo/vidéo, Sortie.

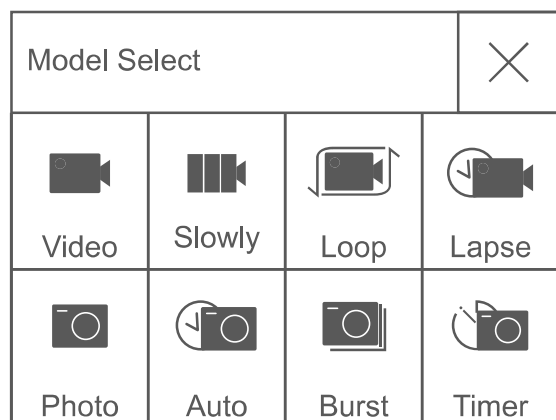
- ① Mode Sélection
- ② Lecture
- ③ Systeme et paramètre photo/vidéo
- ④ Sortie

## MODE SÉLECTION

Appuyez longuement sur le bouton the **【OK/Obturbateur】** après la mise sous tension pour entrer dans le menu des paramètres.

Choisissez le mode. Ici, vous pouvez choisir les modes vidéo et photo.

FR



**Modes Vidéo:** Vidéo/Lentement/Boucle/Timelapse

**Modes Photo:** Photo/Auto/Rafale/Minuteur

## MODE VIDÉO

Il y aura une icône vidéo dans le coin supérieur gauche de l'écran de la caméra. Veuillez confirmer que vous avez configuré vos paramètres vidéo. Si l'icône vidéo sur l'écran LCD de votre caméra ne s'affiche pas, appuyez longuement sur le bouton **【OK/Obturbateur】** d'accès au menu et choix du mode vidéo dans la sélection de mode (tel que Vidéo/Lentement/Boucle/TimeLapse).

FR

### **Pour commencer l'enregistrement:**

Appuyez sur le bouton **【OK/Obturbateur】** . Pendant l'enregistrement, le voyant d'état de l'appareil photo (bleu) clignote à gauche de l'écran, l'icône d'enregistrement dans le coin gauche de l'écran devient rouge.

### **Pour arrêter l'enregistrement :**

Appuyer sur le bouton **【OK/Oburbateur】** à nouveau, le voyant d'état de la caméra (bleu) sur la gauche de l'écran. L'icône d'enregistrement dans le coin supérieur gauche de l'écran deviennent blancs pour indiquer que l'enregistrement s'est arrêté.

Veuillez également noter qu'en mode vidéo lentement et en mode vidéo timelapse, l'enregistrement micro n'est pas pris en charge.

### **Pour activer/désactiver l'enregistrement audio :**

Appuyez sur le bouton "Bas". L'icône Micro indiquera l'état dans le coin supérieur droit de l'écran.

**Conseil:**

Cette caméra arrête automatiquement l'enregistrement lorsque la batterie est déchargée. Votre vidéo sera stockée avant que la caméra ne s'éteigne. Cette caméra arrête automatiquement d'enregistrer lorsque la carte Micro SD est pleine si la fonction d'enregistrement en boucle est désactivée. Les fichiers seront écrasés dans l'ordre d'enregistrement lorsque la carte Micro SD est pleine si la fonction d'enregistrement en boucle est activée.

FR



## MODE PHOTO

Il y a une icône "Caméra" dans le coin supérieur gauche de l'écran de l'appareil. Veuillez confirmer que vous avez configuré vos paramètres de photo.

Si l'icône de la caméra sur l'écran LCD de votre appareil n'est pas affichée, appuyez longuement sur le bouton **【OK/Obturbateur】** pour accéder au menu et choisissez le mode photo dans la sélection du mode (par exemple, Photo/Auto/Raffale/Timer).

FR

### **Pour prendre une photo:**

Appuyez sur le bouton **【OK/Obturbateur】**. Le voyant d'état de l'appareil (bleu) clignote une fois sur la gauche de l'écran et l'appareil émet un son (le volume doit être activé dans le réglage général).

### **Photo automatique:**

Appuyez sur le bouton **【OK/Obturbateur】**. L'appareil prendra une photo après le temps que vous aurez fixé.

### **Série de photos en rafale:**

Appuyez sur le bouton **【OK/Obturbateur】**, l'appareil prendra en continu le nombre de photos que vous avez fixé. À ce moment, l'intervalle de temps défini dans la fonction "Photo à intervalle de temps" deviendra invalide.

### **Photo à retardement:**

Appuyez sur le bouton **【OK/Obturbateur】**. Il y aura une icône d'horloge au milieu de l'écran de la caméra. Le nombre affiché sur l'icône est l'intervalle de temps pour prendre des photos.

# LECTURE

## Lecture de vidéos et de photos

Appuyez longuement sur le bouton **【OK/Obturbateur】** après la mise sous tension pour entrer dans le menu des paramètres. Sélectionnez le mode de lecture dans le coin supérieur droit.

FR Appuyez sur le bouton **【Haut/Bas】** pour faire défiler les vidéos ou les photos, puis appuyez sur le bouton **【OK/Obturbateur】** pour lire/arrêter les options souhaitées.

## Supprimer des fichiers

Dans l'interface de prévisualisation des fichiers, appuyez longuement sur le bouton **【OK/Obturbateur】** pour choisir de supprimer ou non le fichier en cours.

Pendant la lecture des vidéos, appuyez longuement sur le bouton Bas pour faire avancer rapidement la vidéo, et appuyez sur le bouton Haut pour revenir en arrière.

## Quitter le mode de lecture

Appuyez sur le bouton **【Power/Mode】**

**Conseils:** Comme les appareils différents supportent différents formats de fichiers, les fichiers enregistrés sur d'autres appareils avec la même carte mémoire peuvent ne pas être lus sur cet appareil.

# PARAMÈTRES

## Paramètres vidéos

Appuyez sur **【OK/Obturbateur】** pour confirmer

Appuyez sur **【Haut/Bas】** pour choisir

Appuyez sur **【Power/Mode】** pour revenir

**Résolution vidéo:** 4K 30fps/2.7K 30fps/1080p 60fps/1080p  
30fps/720p 120fps/720p 60fps/720p 30fps

La résolution par défaut est de 4K 30fps.

**EIS:** Off/On.

Choisissez d'activer/désactiver l'anti-vibration.

**Correction de la distorsion:** Off/On.

Choisissez d'activer/désactiver la correction de distorsion.

L'EIS et la Correction de distorsion ne peuvent pas être activés en même temps

**Balance des blancs:** Auto/Soleil/Nuageux/Incandescent/Fluorescence

**Réglage de l'exposition:** -3.0~0~+3.0

**Mode de photométrie:** Photométrie moyenne / Photométrie centrale / Photométrie spot / Photométrie matricielle

**La netteté:** Haute/Moyenne/Basse

**Qualité vidéo:** Élevée/Moyenne/Basse

**ISO:** Auto/100/200/400/800/1600/3200/6400

L'ISO fait référence à la sensibilité à la lumière du film ou du capteur d'image. Au-delà de la simple modification de l'exposition, l'ISO affecte également la qualité de l'image.

L'ISO plus élevée se traduit généralement par une image "bruyante" ou "granuleuse".

**Filigrane de l'heure:** ON/OFF

**Enregistrement audio:** ON/OFF

**Enregistrement lent:** 1080P 2X/720P 4X

**Résolution en boucle:** 4K 30fps/2.7K 30fps/1080p 60fps/1080p 30fps/720p 120fps/720p 60fps/720p 30fps

**Durée de la vidéo en boucle:** 2 min/3 min/5 min

Lorsque cette fonction est activée, la vidéo enregistrée sera segmentée à l'heure que vous aurez définie.

**Résolution de l'enregistrement en timelapse:** 4k/2.7k/1080P/720P

**Intervalle d'enregistrement:** 0.5s/1s/2s/5s/10s/30s/60s/

La vidéo enregistrée sera compressée à la durée que vous aurez fixée. Par exemple, une image d'une scène peut être capturée une fois par seconde, puis lue à 30 images par seconde ; cela représente une augmentation apparente de la vitesse de 30 fois.

**Durée de la vidéo:** Illimitée/6s/8s/10s/20s/30s/60s/120s

## Réglage de la photo

Appuyez **【OK/Obturbateur】** pour confirmer

Appuyez **【UP/Bas】** pour sélectionner

Appuyez **【Power/Mode】** pour revenir

**Résolution de photo:** 20M/16M/13M/8M

La résolution par défaut est de 20M

**Réglage de l'exposition:** -3.0~0~+3.0

**Mode de photométrie:** Photométrie moyenne / Photométrie centrale  
/ Photométrie spot / Photométrie matricielle

**La netteté:** Haute/Moyenne/Basse

**ISO:** Auto/ISO100/ISO200/ISO400/ISO800/ISO1600/ISO3200/ISO6400

**Filigrane de l'heure:** ON/OFF

**Interval photo auto:** 3s/10s/15s/20s/30s/

**Balance des blancs:** Auto/Soleil/Nuageux/Incandescent/Fluorescence

**Fréquence de la photo en rafale:** 3p/s,5p/s,10p/s

Appuyez une fois sur le bouton **【OK/Obturbateur】** pour prendre quelques photos à la suite.

**Interval de timelapse:** 3s/5s/10s/20s/

Après avoir appuyé une fois sur le bouton **【OK/Obturbateur】** , l'appareil prend des photos en 3/5/10/20 secondes.

## Réglage général

**Rotation de l'image:** ON/OFF

Lorsque ce réglage est activé, l'écran de l'appareil bascule de haut en bas.

FR

**Wi-Fi:** ON/OFF

**Wi-Fi Information:** Montrer Nom et mot de passe WIFI

**Réinitialisation du Wi-Fi:** Confirmer/Annuler

**Source de lumière Fréquence:** Auto/50HZ/60HZ

**Indicateur LED:** ON/OFF

**Économiseur d'écran automatique:** OFF/3 s/1 minute/2 minute

Après une période déterminée, si la caméra ne fonctionne pas, l'écran devient automatiquement noir. À ce moment, la caméra ne s'éteint pas, vous pouvez appuyer sur n'importe quel bouton pour allumer l'écran.

**Arrêt automatique:** OFF/3 minutes/5 minutes/10 minutes

Après avoir fixé une période de temps, si l'appareil ne fonctionne pas, il s'éteint automatiquement.

**Volume du bouton:** OFF/Haut/Milieu/Bas

Réglez le son en appuyant sur les boutons.

**Langue:** English/Español//Portugues/Русский/ 简体中文 / 繁体中文 /Deutsch/Italiano/Français/ 日本語 .

**Format de l'heure:** AA/MM/JJ,MM/JJ/AA, JJ/MM/AA

**Temps fixé:** Horodatage des photos et des vidéos.

Utilisez le bouton Bas pour changer la valeur

Utilisez le bouton **【OK/Obturbateur】** pour passer au point suivant

Utilisez le bouton **【Button/Power】** pour revenir

**Date fixée:**

Utilisez le bouton **【Haut/Bas】** pour changer la valeur

Utilisez le bouton **【OK/Obturbateur】** pour passer au point suivant

Utilisez le bouton **【Mode/Power】** pour revenir

**Conseils:** Comme l'appareil n'a pas de batterie intégrée, une fois que la batterie est retirée ou que l'appareil est hors tension pendant la prise de vue, l'heure de l'appareil sera réinitialisée au 2019/01/01 lors de la prochaine mise sous tension, et vous devrez alors réinitialiser l'heure dans le réglage.

**Format:** Confirmer/Annuler

Formatez la carte mémoire dans l'appareil photo. Une fois cette opération effectuée, toutes les dates seront supprimées. Nous vous recommandons de formater votre carte mémoire dans l'appareil photo avant de l'utiliser.

**Informations sur l'appareil:** Afficher le modèle de l'appareil, la version du logiciel et la date de mise à jour

**Réinitialisation de l'usine:** Confirmer/Annuler

Restaurez tous les paramètres de l'appareil photo aux paramètres par défaut.

**QUITTER**

Appuyez sur le bouton **【OK/Obturbateur】** pour quitter les réglages.

## Connexion Wi-Fi/Ordinateur/TV

### CONNEXION Wi-Fi

Se connecter au Wi-Fi

L'application Wi-Fi vous permet de contrôler votre appareil photo à distance sur un smartphone ou une tablette. Vous pouvez visualiser la vidéo ou les photos sur votre téléphone et télécharger les enregistrements. Les étapes de connexion sont les suivantes :

FR

- Téléchargez l'application APEMAN (ou XDV PRO) sur votre smartphone ou tablette dans GooglePlay ou l'App Store d'Apple.
- Pressez le bouton [HAUT] pour activer le Wi-Fi après avoir allumé l'appareil photo. Le voyant d'état (jaune) sur le dessus de la caméra reste clignotant pendant que la caméra attend une connexion Wi-Fi et le voyant reste allumé lorsque le Wi-Fi est connecté.
- Trouvez et connectez le Wi-Fi dans la liste des Wi-Fi de votre téléphone avec le nom et le mot de passe Wi-Fi affichés sur l'appareil photo.
- Ouvrez l'application APEMAN (ou XDV PRO) sur votre smartphone ou tablette après la connexion Wi-Fi, vous verrez que la caméra est contrôlée par votre téléphone.



**Conseil:**

- Appuyez et maintenez enfoncé le bouton Haut à nouveau pour éteindre le Wi-Fi.
  - L'appareil photo ne peut se connecter qu'à un seul appareil à la fois.
  - La connexion Wi-Fi est un peu gourmande en énergie, veuillez donc éviter de connecter le Wi-Fi lorsque la batterie est faible.
- 
- L'application APEMAN est compatible avec les smartphones et tablettes ci-dessous:

**Pour Apple iOS**

- iPhone (au-dessus de 5S), iPad Air & Mini & Pro, iPod touch (au-dessus de IOS9)

**Pour Android**

- au-dessus de Android 5.0

Application disponible sur:



## Connexion à l'ordinateur

Trois possibilités s'offrent à vous lorsque vous utilisez le câble micro-USB fourni pour vous connecter à un ordinateur: Mode de chargement, Mode de stockage de masse, Mode caméra.

Appuyez sur le bouton BAS pour basculer entre ces trois modes et appuyez sur le bouton **【OK/Obturbateur】** pour entrer.

FR

**Mode de chargement:** Le câble USB est utilisé uniquement comme câble de chargement. Dans ce mode, vous pouvez toujours utiliser l'appareil photo.

**Mode de stockage de masse:** Accès aux fichiers stockés dans la carte micro SD de l'appareil photo pour les copier ou les visualiser sur un ordinateur. Cette fonction peut également être réalisée par un lecteur de carte micro SD.

**Mode caméra:** Utilisé comme webcam pour les chats vidéo et l'enregistrement vidéo sur votre ordinateur. Vous devrez peut-être d'abord autoriser Adobe Flash Player à s'exécuter dans votre logiciel de chat vidéo si vous souhaitez l'utiliser comme webcam.

## Connexion à la télévision

- Grâce à la sortie HDMI, vous pouvez afficher les films et les images enregistrés par cette caméra sur de grands écrans de télévision, de projecteur, etc,
- Éteignez la caméra.
- Connectez la caméra et le téléviseur avec un câble Micro HDMI disponible dans le commerce (NON INCLUS).
- Allumez l'appareil photo et activez le réglage HDMI sur l'appareil que vous souhaitez saisir.

### Conseils:

- Le périphérique d'entrée HDMI doit supporter 1080P.
- Lors de la sortie HDMI, l'écran de l'appareil photo devient noir. L'écran s'affiche sur le périphérique d'entrée HDMI, mais l'opération se fait avec l'appareil photo.

## Utilisation de la caméra via la télécommande de 2,4 GHz

Utilisez la télécommande pour prendre des photos ou enregistrer des vidéos en appuyant sur le bouton photo (rouge) ou le bouton vidéo (gris). Elle fonctionne dans le mode photo ou vidéo actuel, ou passe en mode photo ou vidéo standard pour la capture. Après utilisation, la pile devra éventuellement être remplacée. Dévissez les quatre petites vis au dos du boîtier et remplacez-les par une nouvelle pile CR2025.

## Spécifications

FR

Modèle	A79
Capteur	Sony IMX135
Lentille	170 ° Objectif à grand angle (Réglable)
Taille d’Affichage	LCD 2 Pouces
Résolution de Photo	20M/16M/12M/8M
Format de Vidéo	H.264 code; MP4
Format d’Image	JPEG
Connexion Wi-Fi	Soutenir Android / iOS (5 mètres)
Carte SD Mirco	Classe 10, FAT 32, 8GB–64GB
EV	Auto(–3.0~3.0EV)
Ports	Micro USB / Micro HDMI/ DC2.5 Microphone
Temps de charge	Environ 3 heures (5V / 2A)
Profondeur imperméable	40M/131.2pieds
Température de fonctionnement	0°C~45°C
Batterie	Batterie Li-ion rechargeable 1050 mAh
Contact après-vente	support.ac.fr@apemans.com

## Garantie

Tous les produits APEMAN bénéficient d'une garantie limitée de 12 mois à compter de la date d'achat. Et nous disposons d'une équipe de service clientèle professionnelle pour vous aider dès que possible. Si vous avez des questions ou des doutes concernant notre produit ou la garantie, n'hésitez pas à nous contacter par courrier électronique. Nous nous efforcerons de vous répondre dans les 24 heures et ferons de notre mieux pour vous aider à résoudre le problème jusqu'à ce que vous soyez satisfait.

FR

Boîte aux lettres de support:  
support.ac@apemans.com  
US/CA support.ac.us@apemans.Com  
JP support.ac.jp@apemans.com  
Royaume-Uni supportac.uk@apemans.com  
DE support.ac.de@apemans.com  
FR support.ac.fr@apemans.com  
IT support.ac.it@apemans.com  
ES supportac.es@apemans.com

## Indice

Atezione .....	81
Introduzione .....	82
Introduzione per tasti	
<b>Preparazione e installazione .....</b>	<b>83</b>
Come aprire e chiudere custodia impermeabile	
Come sostituire coperchio antipolvere	
Come caricare e installare batterie	
Come inserire e formattare scheda SD	
<b>Istruzioni per l'uso .....</b>	<b>88</b>
Come aprire/chiudere questo prodotto	
Istruzioni per modalità operative	
Menu principale	
<b>Come connettere Wi-Fi/Computer/TV .....</b>	<b>100</b>
<b>Specificazioni .....</b>	<b>104</b>
<b>Garanzia .....</b>	<b>105</b>

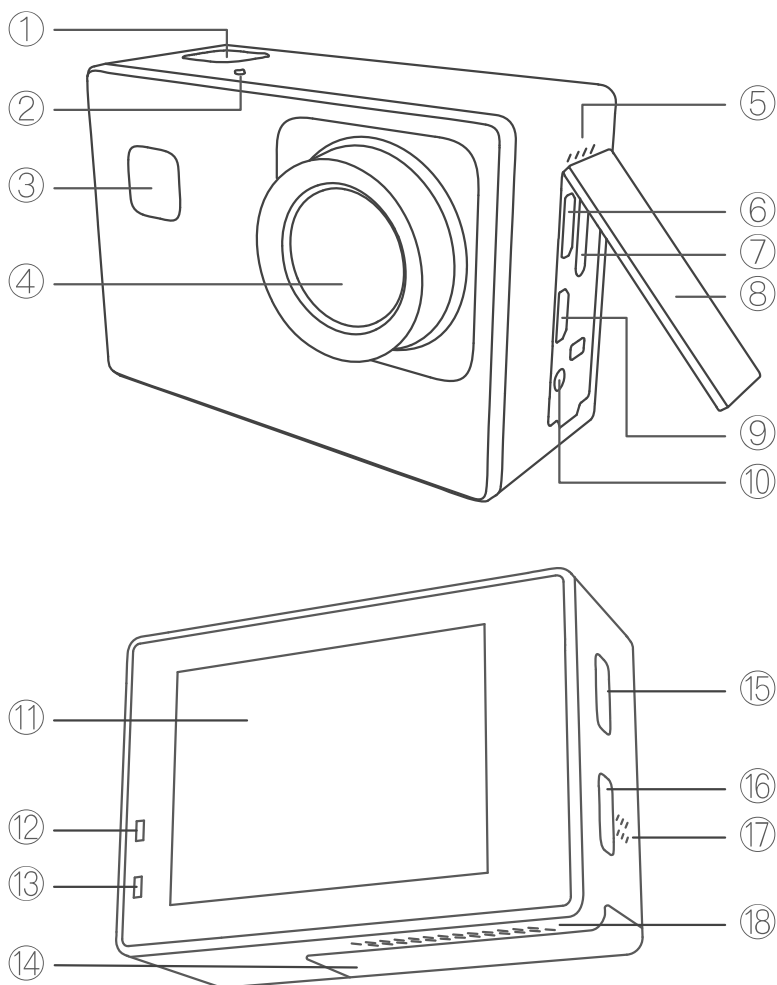
IT

## Attenzione

- Tenere al sicuro da cadute
- Tenere lontano da oggetti che causano forti interferenze elettromagnetiche come apparecchi elettrici per evitare forti onde radio che potrebbero danneggiare il prodotto e influenzare il suono o la qualità dell' immagine.
- Tenere la camera lontano da acqua e liquidi (salvo quando equipaggiata con la custodia waterproof). Questo potrebbe causare un malfunzionamento della camera.
- Tenere al sicuro da bambini durante la ricarica. Per completare un ciclo di ricarica, sono necessarie circe 3 ore. È consigliato togliere la batteria dalla camera dopo l' uso in modo da evitare perdita di batteria.
- Si raccomanda di utilizzare una carta Classe 10 Micro SD di alta qualità (supporto massimo 32 GB) per avere i migliori dei risultati. Si consiglia di resettare la carta micro SD prima di utilizzarla nella camera e riavviare la camera dopo la formattazione.
- Non esporre il prodotto a temperature superiori a 45°C.
- Non posizionare oggetti pesanti sopra la camera.
- Non posizionare la carta Micro SD vicino a oggetti fortemente magnetici al fine di evitare errori o perdite di dati

## Introduzione per tasti

IT



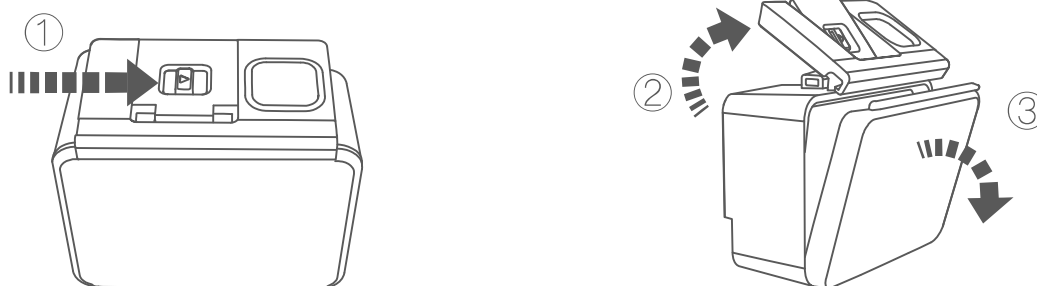
- |                                |                                       |
|--------------------------------|---------------------------------------|
| ① Pulsante OK/Otturatore       | ⑩ Interfaccia per Microfono Esterno   |
| ② Indicatore Wi-Fi             | ⑪ Schermo                             |
| ③ Pulsante Modalità/Accensione | ⑫ Ladeanzeige                         |
| ④ Lenti dell'action cam        | ⑬ Indicatore di funzionamento         |
| ⑤ Microfono                    | ⑭ Coperchio della batteria (Spingere) |
| ⑥ Porta micro USB              | ⑮ Pulsante SU/Wi-Fi                   |
| ⑦ Slot per scheda SD           | ⑯ Pulsante Giù                        |
| ⑧ Copertura antipolvere        | ⑰ Altoparlante                        |
| ⑨ Porta Micro-HDMI             | ⑱ Fori di ventilazione                |



## Preparazioni e installazioni

### Come aprire e chiudere custodia impermeabile

#### A. Come aprire correttamente la custodia impermeabile



1. Premere l'interruttore in alto a destra come indicato dalla freccia, quindi aprire la custodia impermeabile.
2. Sollevare la fibbia della custodia impermeabile;
3. Aprire il coperchio posteriore della custodia impermeabile.

#### B. Come chiudere correttamente la custodia impermeabile

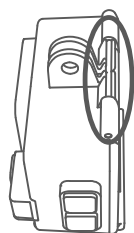


- Comprimere il coperchio posteriore della custodia impermeabile come mostra la freccia e quindi chiudere la custodia impermeabile
- Si prega di tirare giù la fibbia e collegarlo al coperchio posteriore come mostra la freccia 2.
- Abbassare la fibbia della custodia impermeabile come indicato dalla freccia 3.

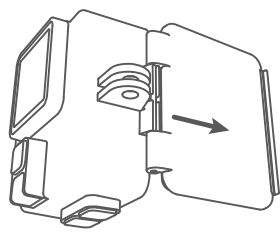
## Remplacement de la Couverture Antipoussière

La custodia della fotocamera è configurata con due coperchi protettivi, uno per l'impermeabilizzazione, l'altro per la polvere ma non impermeabile, a seconda dell'ambiente.

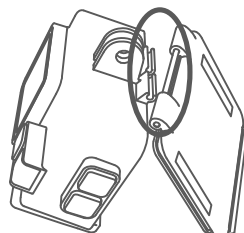
- IT
- La copertura protettiva può essere utilizzata sott' acqua, in spiaggia, in locali con polvere e altri ambienti sfavorevoli;
  - La copertura protettiva aiuta a ricevere il suono ma riesce anche a ridurre il rumore del vento durante la guida, il jogging e altri sport.



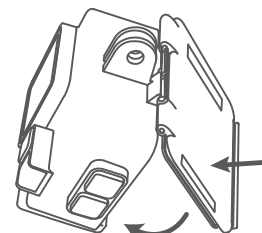
Step 1



Step 2



Step 3



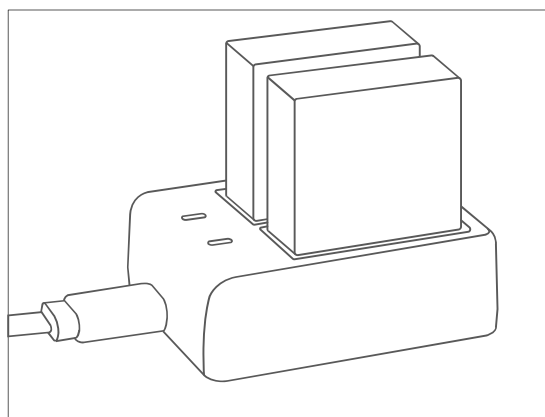
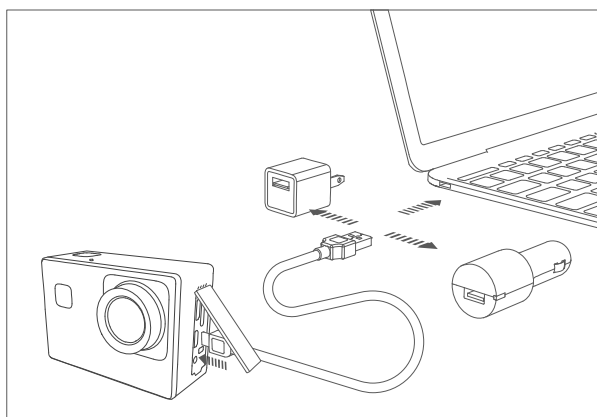
Step 4

- Individuare lo slot della custodia impermeabile come mostrato nel passaggio 1.
- Afferrare la custodia con le mani, guarda la fessura sul fronte della custodia ed estrai la cover posteriore impermeabile come mostrato nel passaggio 2.
- Trovare la cover posteriore antipolvere nella confezione che ha due spazi interposti sul lato sinistro e destro, inserisci la metà inferiore del coperchio nello slot, quindi spingi la metà superiore nello slot come il passaggio 4 fino a quando l'intera cover posteriore è completamente installata.

## Ricarica e installazione della batteria

La batteria e la fotocamera sono imballate separatamente , quindi si prega di assicurarsi che la batteria sia completamente carica prima di inserirla e accendere la fotocamera.

### A. Batteria Carica

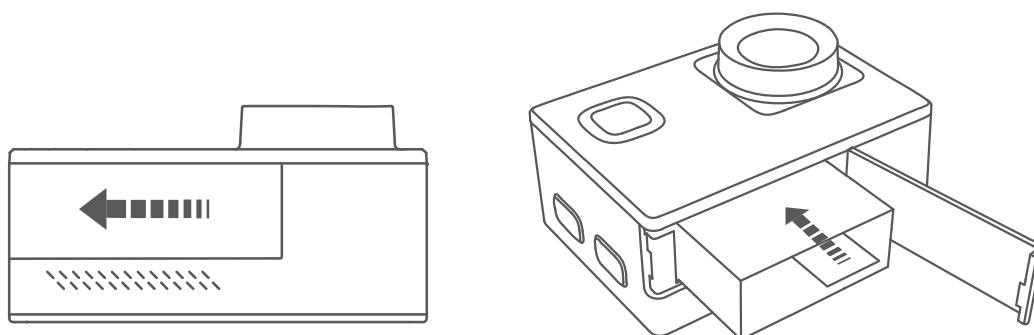


- si prega di notare che il caricabatterie Dual USB non è incluso negli accessori della fotocamera. Potrebbe essere necessario acquistarne uno da APEMAN, se lo si desidera. Oppure è possibile caricare la batteria all' interno della fotocamera tramite il cavo USB in dotazione.
- Collegare il caricabatterie con cavo USB , è possibile caricarlo con spina di alimentazione o ad un computer;
- la ricarica con il computer può essere più lenta rispetto a un adattatore di alimentazione a causa della minore uscita di potenza delle porte USB del computer.
  - a. Inserire due batterie nel vano di ricarica. Quando il caricabatterie è acceso, la spia rossa indica che è in carica. La luce diventerà blu se le batterie sono completamente cariche.
  - b. quando la fotocamera è in carica, apparirà la luce rossa. Scompare se la batteria è completamente carica.

Il normale tempo di ricarica completo è di circa 3,5 ore, non lasciare in carica più del tempo!

## B.Installazione della Batteria

IT

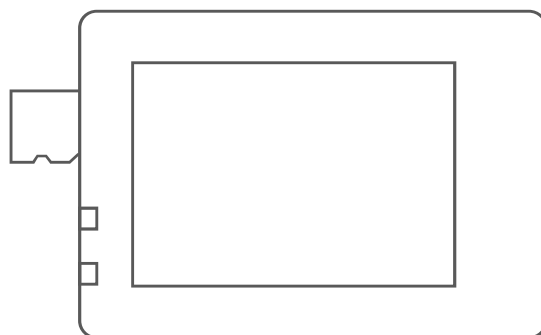


- Trovare la parte del vano batteria dell'action cam. Premere il coperchio del vano batteria e farlo scorrere contemporaneamente in direzione della freccia sul coperchio del vano batteria; il coperchio della batteria si aprirà.
- Chiudere il coperchio della batteria dopo che la batteria è stata inserita.

Si prega di notare la direzione della batteria e del coperchio della batteria all'inserimento.

Si prega di non rimuovere la cinghia di estrazione della batteria, che ti aiuta a estrarre facilmente la batteria.

## Come inserire e estrarre correttamente la scheda SD



IT

- Aprire il coperchio antipolvere come mostrato nella diapositiva sinistra, trovare lo slot per scheda Micro SD nell'action cam e inserire la scheda nell'action cam secondo il giusto verso e spingere all'interno.
- Rimozione della scheda SD: premere verso il basso la scheda SD finché non si sente un suono di inserimento; Quindi la scheda SD uscirà con un suono pop.

## Formattazione della scheda SD

- Inserire la scheda SD nello stato di spegnimento dell'action cam e dopo accendere l'action cam.
- Tenere premuto il pulsante **【OK / Otturatore】** per 2 secondi per accedere alla modalità menu.
- Premere il pulsante **【giù】** per impostare la modalità; quindi premere il pulsante **【Accensione / Modalità】** per entrare nella parte di impostazione; trovare "formattazione" e confermare.

La fotocamera supporta la normale scheda SD di marca, Classe 10 o superiore, da 8 GB a 64 GB, si prega di garantire la qualità della scheda SD. È necessario formattare la scheda SD sull'action cam prima di utilizzarla.

## Istruzioni per l'uso

La serie A79 ha quattro tipi di modalità:

Modalità Video/Foto, Modalità Riproduzione, Modalità Impostazioni/Esci.

Di seguito sono riportate le istruzioni sulle funzioni di ciascun pulsante in queste modalità.

IT

### Accendi / Spegni

Pressione prolungata [Pulsante Accensione/Modalità]: accendere l'action cam.

Pressione prolungata [pulsante Accensione/Modalità]: spegnere l'action cam.

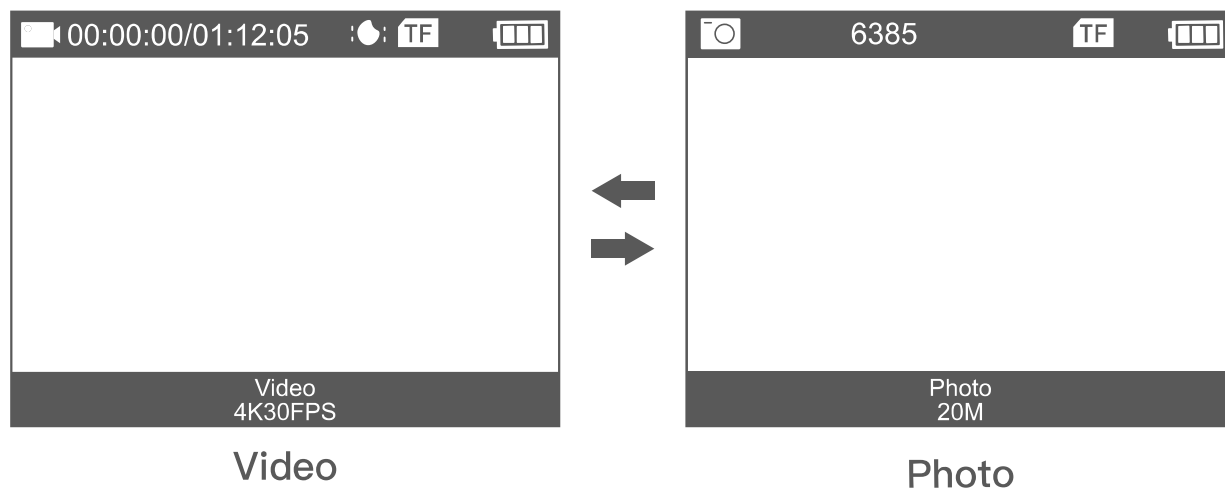
Consiglio: Questi due tasti si adattano a ciascuna modalità.

### Modalità Istruzioni operative

Accendere l'action cam e premere ripetutamente il pulsante

**【Accensione / Modalità】** per scorrere le modalità della fotocamera.

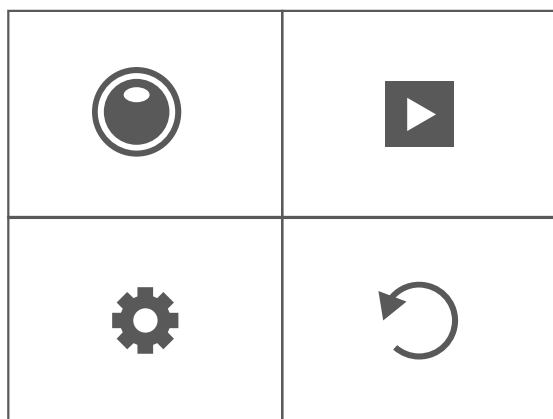
Le modalità appariranno nell'ordine seguente.



## MENU PRINCIPALE

Premere a lungo il pulsante **【OK / Otturatore】** dopo l'accensione per accedere al menu Impostazioni. Premere il pulsante **【Su】** o **【Giù】** per scorrere le varie opzioni, quindi premere il pulsante **【OK / Otturatore】** per selezionare l'opzione desiderata. Premere il pulsante **【Accensione / Modalità】** per uscire dall'interfaccia. Menu Impostazioni: Seleziona modalità, Modalità Riproduzione, impostazioni di Sistema, impostazioni Video/Foto e Esci.

IT



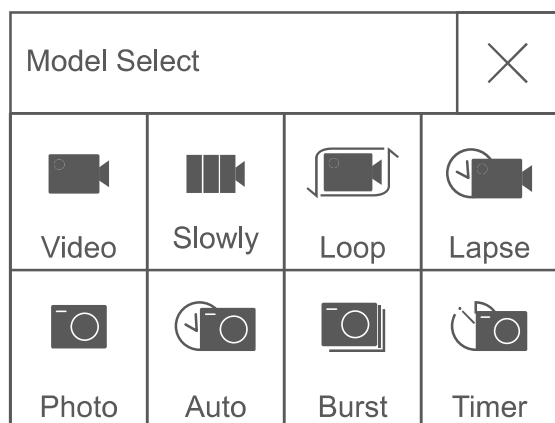
- ① Seleziona modalità
- ② Riproduzione
- ③ Impostazioni di sistema e Video/Foto
- ④ Esci

## SELEZIONARE MODALITÀ

Premere a lungo il pulsante **【OK / Otturatore】** dopo l'accensione per accedere al menu Impostazioni.

Scegli Seleziona Modalità, Qui puoi scegliere le modalità video e immagine

IT



**Modalità video:** video / Slow Motion / Loop / Time Lapse

**Modalità immagine:** Foto / Auto / Scatto Continuo / Timer



## MODALITÀ VIDEO

Ci sarà un'icona video nell'angolo in alto a sinistra dello schermo dell'action cam. Conferma di aver configurato le impostazioni video. Se l'icona Video sul display LCD dell'action cam non viene visualizzata, premere a lungo il pulsante **【OK / Otturatore】** per accedere al menu e scegliere la modalità Video in Seleziona modalità (ad esempio Video / Slow Motion / Loop / Time Lapse).

IT

### **Per avviare la registrazione:**

Premere il pulsante **【OK / Otturatore】** . durante la registrazione, la spia di stato dell'action cam (blu) lampeggerà sulla sinistra dello schermo, l'icona di registrazione nell'angolo sinistro dello schermo diventerà rossa.

### **Per interrompere la registrazione:**

Premere nuovamente il pulsante **【OK / Otturatore】** . La spia di stato dell'action cam (blu) a sinistra dello schermo e l'icona di registrazione nell'angolo in alto a sinistra dello schermo diventeranno bianche per indicare che la registrazione è stata interrotta.

Inoltre, tieni presente che quando in modalità Slow Motion e in modalità Time Lapse, la registrazione del microfono non è supportata.

### **Per attivare/disattivare la registrazione audio:**

Premere il pulsante Giù. L'icona MIC mostrerà lo stato nell'angolo in alto a destra dello schermo.

### **Suggerimento:**

Questa action cam interrompe automaticamente la registrazione quando la batteria è scarica. Il video verrà archiviato prima che l'action cam si spenga. Questa action cam interrompe automaticamente la registrazione quando la scheda SD è piena se la funzione di registrazione in loop è disattivata. I file verranno sovrascritti nell'ordine di registrazione quando la scheda SD è piena se la funzione di registrazione in loop è attivata.

IT

## MODALITÀ FOTO

Ci sarà un'icona della fotocamera nell'angolo in alto a sinistra dello schermo dell'action cam. Conferma di aver configurato le impostazioni delle foto.

Se l'icona Fotocamera sul display LCD della fotocamera non viene visualizzata, premere a lungo il pulsante **【OK / Otturatore】** nel menu e scegliere la modalità Foto in Seleziona modalità (come Foto / Auto / Scatto Continuo / Timer).

### Per scattare una foto:

Premere il pulsante **【OK / Otturatore】** . la spia di stato della fotocamera (blu) lampeggerà una volta sulla sinistra dello schermo e la fotocamera emetterà un suono di scatto (il volume nelle impostazioni generali deve essere attivato).

### Foto automatica:

Premere il pulsante **【OK / Otturatore】** . La fotocamera scatterà una foto dopo il tempo impostato.

### Scatto Continuo:

Premere il pulsante **【OK / Otturatore】** , la fotocamera scatta continuamente il numero di foto che hai impostato. A questo punto, l'intervallo di tempo impostato in Time-Lapse Photo non sarà più valido.

### Foto timer:

Premere il pulsante **【OK / Otturatore】** . ci sarà un'icona dell'orologio al centro dello schermo della fotocamera. Il numero visualizzato sull'icona è l'intervallo di tempo per scattare foto.

# RIPRODUZIONE

## Riproduzione di video e foto

Premere a lungo il pulsante **【OK / Otturatore】** dopo l'accensione per accedere al menu Impostazioni. Seleziona la modalità di riproduzione nell'angolo in alto a destra.

Premere il pulsante **【SU / GIÙ】** per scorrere i video o le foto, quindi premere il pulsante **【OK / Otturatore】** per riprodurre / interrompere le opzioni desiderate.

## Cancella file

Nell'interfaccia di anteprima del file, premere a lungo il pulsante **【OK / Otturatore】** per selezionare se eliminare il file corrente.

Durante la riproduzione dei video, premere a lungo il pulsante GIÙ per far avanzare rapidamente il video e premere il pulsante SU per riavvolgere.

## Esci dalla modalità di riproduzione

Premere il pulsante **【Accensione / Modalità】** .

**Suggerimenti:** poiché action cam diverse supportano formati di file diversi, i file registrati su altre fotocamere con la stessa scheda di memoria potrebbero non essere riproducibili su questa action cam.

# IMPOSTAZIONI

## Impostazioni video

Premere **【OK / Otturatore】** per confermare

Premere il pulsante **【SU / GIÙ】** per selezionare

Premere il pulsante **【Accensione / Modalità】** per tornare indietro

**Risoluzione video:** 4K 30fps / 2,7K 30fps / 1080p 60fps / 1080p 30fps / 720p 120fps / 720p 60fps / 720p 30fps

La risoluzione predefinita è 4K 30 fps.

**EIS:** spento / acceso.

Scegli di attivare / disattivare l'anti-shake.

**Correzione della distorsione:** disattivata / attivata.

Scegli di attivare / disattivare la correzione della distorsione.

EIS e Correzione distorsione non possono essere attivate contemporaneamente

**Bilanciamento del bianco:** Auto / Soleggiato / Nuvoloso / Incandescente / Fluorescente

**Impostazione dell'esposizione:** -3.0 ~ 0 ~ + 3.0

**Modalità di misurazione:** Misurazione media / Misurazione centrale / Misurazione spot / Misurazione matrice

**Nitidezza:** alta / media / bassa

**Qualità video:** alta / media / bassa

**ISO:** Auto / 100/200/400/800/1600/3200/6400

ISO si riferisce alla sensibilità alla luce della pellicola o del sensore di immagine. Oltre a modificare semplicemente l'esposizione, l'ISO influisce anche sulla qualità dell'immagine.

Un ISO più alto si traduce in genere in un'immagine "rumorosa" o "granulosa".

**Filigrana temporale:** ON / OFF

**Rec Audio:** ON / OFF

**Registrazione lenta:** 1080P 2X / 720P 4X

**Risoluzione di registrazione in loop:** 4K 30fps / 2,7K 30fps / 1080p 60fps / 1080p 30fps / 720p 120fps / 720p 60fps / 720p 30fps

**Durata video in loop:** 2 min./3 min./5 min.

Quando questa funzione è attivata, il video registrato verrà segmentato all'ora impostata.

**Risoluzione registrazione time-lapse:** 4k / 2,7k / 1080P / 720P

**Intervallo di registrazione:** 0,5 s / 1 s / 2 s / 5 s / 10 s / 30 s / 60 s / il video registrato verrà compresso per la durata impostata. Ad esempio, un'immagine di una scena può essere catturata una volta al secondo, quindi riprodotta a 30 fotogrammi al secondo; questo è un apparente aumento di velocità di 30 volte.

**Durata video:** illimitata / 6 s / 8 s / 10 s / 20 s / 30 s / 60 s / 120s

## Impostazione foto

Premere **【OK / Otturatore】** per confermare

Premere il pulsante **【SU / GIÙ】** per selezionare

Premere il pulsante **【Accensione / Modalità】** per tornare indietro

**Inserto pixel foto:** 20 M / 16 M / 13 M / 8 M

La risoluzione predefinita è 20M

**Impostazione dell'esposizione:** -3.0 ~ 0 ~ + 3.0

**Modalità di misurazione:** Misurazione media / Misurazione centrale / Spot Misurazione / Misurazione Matrix

**Nitidezza:** alta / media / bassa

**ISO:** Auto / ISO100 / ISO200 / ISO400 / ISO800 / ISO1600 / ISO3200 / ISO6400

**Filigrana temporale:** ON / OFF

**Intervallo foto automatico:** 3s / 10s / 15s / 20s / 30s /

**Bilanciamento del bianco:** Auto / Soleggiato / Nuvoloso / Incandescente / Fluorescente

**Frequenza foto burst:** 3p / s, 5p / s, 10p / s

Premere una volta il pulsante **【OK / Otturatore】** per scattare alcune foto di seguito.

**Conto alla rovescia time-lapse:** 3s / 5s / 10s / 20s /

Dopo aver premuto una volta il pulsante **【OK / Otturatore】** , la fotocamera scatta foto in 3/5/10/20 secondi.

## Impostazioni generali

**Rotazione dell'immagine:** ON / OFF

Quando questa impostazione è attiva, lo schermo della fotocamera si muove verso l'alto e verso il basso.

**Wi-Fi:** ON / OFF

IT

**Informazioni Wi-Fi:** Mostra nome e password WIFI

**Ripristina Wi-Fi:** conferma / Annulla

**Frequenza della sorgente luminosa:** Auto / 50 HZ / 60 HZ

**Indicatore LED:** ON / OFF

**Salvaschermo automatico:** OFF / 3 s / 1 minuto / 2 minuti

Dopo un determinato periodo di tempo, se non viene eseguita alcuna operazione sulla fotocamera, lo schermo diventerà automaticamente nero. A questo punto la fotocamera non si spegne, puoi premere un qualsiasi pulsante per illuminare lo schermo.

**Spegnimento automatico:** OFF / 3 minuti / 5 minuti / 10 minuti

Dopo aver impostato un periodo di tempo, se non ci sono operazioni sulla fotocamera, la fotocamera si spegnerà automaticamente.

**Prompt dei pulsanti:** OFF / Alto / Medio / Basso

Regolare il suono premendo i pulsanti.

**Lingua:** English/Español//Portugues/Русский/ 简体中文 / 繁体中文 / Deutsch/Italiano/Français/ 日本語 .

**Formato ora:** AA / MM / GG, MM / GG / AA, GG / MM / AA



**Time Set:** timestamp su foto e video.

Utilizzare il pulsante **【Su / Giù】** per modificare il valore

Utilizzare il pulsante **【OK / Otturatore】** per passare all'elemento successivo

Utilizzare il pulsante **【Modalità / Accensione】** per tornare

**Data impostata:**

Utilizzare il pulsante **【Su / Giù】** per modificare il valore

Utilizzare il pulsante **【OK / Otturatore】** per passare all'elemento successivo

utilizzare il pulsante **【Modalità / Accensione】** per tornare

**Suggerimenti:** poiché la fotocamera non dispone di una batteria incorporata, una volta che la batteria viene rimossa o la fotocamera è scarica durante la ripresa, l'ora della fotocamera verrà reimpostata su 2019/01/01 alla successiva accensione e quindi è necessario reimpostare l'ora nelle impostazioni.

**Formato:** conferma / annulla

Formatta la scheda di memoria nella fotocamera. Una volta implementata questa operazione, tutte le date verranno eliminate. Si consiglia di formattare la scheda di memoria nell'action cam prima dell'uso.

**Informazioni sul dispositivo:** visualizza il modello del dispositivo, la versione del software e la data di aggiornamento

**Ripristino delle impostazioni di fabbrica:** conferma / Annulla

Ripristina tutte le impostazioni della fotocamera alle impostazioni predefinite.

**USCITA**

Premere il pulsante **【OK / Otturatore】** per uscire dalle impostazioni.

## Connessione Wi-Fi/Computer/TV

### Connessione wifi

Connettiti al Wi-Fi

L'applicazione Wi-Fi consente di controllare la fotocamera in remoto su uno smartphone o un tablet. È possibile visualizzare il video o le immagini sul telefono e scaricare le registrazioni. I passaggi di collegamento sono i seguenti:

- Scarica l'app APEMAN (o XDV PRO) sul tuo smartphone o tablet in Google Play o App Store.
- Premere il pulsante **【Su】** per attivare il Wi-Fi dopo aver acceso l'action cam. La spia di stato (gialla) sulla parte superiore della fotocamera rimane lampeggiante mentre la fotocamera è in attesa di una connessione Wi-Fi e la spia rimane accesa quando il Wi-Fi è connesso.
- Trova e connetti il Wi-Fi nell'elenco Wi-Fi sul tuo telefono con il nome Wi-Fi e la password visualizzati sull'action cam.
- Apri l'app APEMAN (o XDV PRO) sul tuo smartphone o tablet dopo che il Wi-Fi dello smartphone è connesso all'action cam, scoprirai che l'action è controllata dal tuo telefono.

## Suggerimenti:

- Tenere nuovamente premuto il pulsante Su per disattivare il Wi-Fi.
- La fotocamera può connettersi solo a un dispositivo alla volta.
- La connessione Wi-Fi consuma un po' di energia, quindi evita di connetterti al Wi-Fi quando la carica della batteria è bassa.
- L'app APEMAN è compatibile con smartphone e tablet elencati di seguito:

### Per Apple iOS

- iPhone (superiori a 5S), iPad Air & Mini & Pro, iPod touch (superiori a iOS9)

### Per Android

- superiori a Android 5.0

### App disponibile su:



## Collegamento al computer

Sono disponibili tre opzioni quando si utilizza il cavo micro-USB incluso per il collegamento a un computer: Modalità di ricarica, Modalità archiviazione di massa, modalità fotocamera.

Premere il pulsante **【Su / Giù】** per alternare tra queste tre modalità e premere il pulsante **【OK / Otturatore】** per accedere.

IT

**Modalità di ricarica:** il cavo USB viene utilizzato solo come cavo di ricarica. In questa modalità è comunque possibile utilizzare l'action cam.

**Modalità archiviazione di massa:** accesso ai file archiviati nella scheda micro SD dell'action cam per copiarli o visualizzarli su un computer. Questa funzione può essere ottenuta anche da un lettore di schede micro SD.

**Modalità fotocamera:** utilizza come webcam per chat video e registrazioni video sul tuo computer. Potrebbe essere necessario consentire prima l'esecuzione di Adobe Flash Player nel software di chat video se si desidera utilizzarlo come webcam.

## Collegamento TV

Con l'uscita HDMI, è possibile visualizzare i filmati e le immagini registrate da questa fotocamera su schermi di grandi dimensioni di TV, proiettore, ecc.

- Spegnere l'action cam.
- Collegare l'action cam al televisore con un cavo Micro HDMI disponibile in commercio (NON INCLUSO).
- Accendere l'action cam e attivare l'impostazione HDMI sul dispositivo che si intende inserire.

### Suggerimenti:

- Il dispositivo di ingresso HDMI dovrebbe supportare 1080P.
- Quando si trasmette HDMI, il display della fotocamera diventa nero. La schermata viene visualizzata sul dispositivo di ingresso HDMI, ma l'operazione viene eseguita con l'action cam.

## Utilizzo della fotocamera tramite telecomando a 2,4 GHz

Utilizzare il telecomando per scattare foto o registrare video con il tocco del pulsante foto (rosso) o del pulsante video (grigio). Funziona nella modalità foto o video corrente oppure passa alla modalità foto o video standard per scattare o registrare. Dopo essere stata utilizzata per molto, la batteria dovrà eventualmente essere sostituita. Svitare le quattro piccole viti sul retro del case e sostituirle con una nuova batteria a celle CR2025.

## Specificazioni

IT

Modello	A79
Sensore	Sony IMX135
Obiettivo	grandangolare 170 ° (regolabile)
Display dimensione	2 pollici LCD
Risoluzione foto	16M/12M/8M/5M
Formato video	H.264 code; MP4
Formato immagine	JPEG
Connessione Wi-Fi	Android / iOS supportati (5 metri)
Scheda SD Mirco	Classe 10, FAT 32, 8GB-64GB
EV	Auto (-3.0 ~ 3.0EV)
Porte	Micro USB / Micro HDMI / DC2.5 microfono
Tempo di ricarica	Circa 3 ore (5 V / 2 A)
Profondità impermeabile	40M/131.2ft
Temperatura di esercizio	0°C~45°C
Batteria	ricaricabile agli ioni di litio 1050mAh
Assistenza post-vendita	support.ac.it@apemans.com

## Garanzia

Prodotto di apeman sono coperti da una garanzia limitata di 12 mesi dalla data di acquisto. Il nostro team di assistenza clienti professionale per il vostro supporto risponderà non appena possibile.

Se ha qualsiasi dubbio, non esitate a contattarci via email. Ti rispondiamo in 24 ore e faremo del nostro meglio per aiutarti a risolvere il problema.

IT

Complaint Mailbox: [support.ac@apemans.com](mailto:support.ac@apemans.com)  
US/CA [support.ac.us@apemans.com](mailto:support.ac.us@apemans.com)  
JP [support.ac.jp@apemans.com](mailto:support.ac.jp@apemans.com)  
UK [support.ac.uk@apemans.com](mailto:support.ac.uk@apemans.com)  
DE [support.ac.de@apemans.com](mailto:support.ac.de@apemans.com)  
FR [support.ac.fr@apemans.com](mailto:support.ac.fr@apemans.com)  
IT [support.ac.it@apemans.com](mailto:support.ac.it@apemans.com)  
ES [support.ac.es@apemans.com](mailto:support.ac.es@apemans.com)

## Contenidos

Atención .....	107
Instrucciones del Producto.....	108
Instrucciones del Botón	
<b>Preparación e Instalación .....</b>	<b>109</b>
Apertura y Cierre de la Carcasa Sumergible	
Reemplazo de la Cubierta a Prueba de Polvo	
Carga e Instalación de la Batería	
Inserción y Formateo de la tarjeta SD	
<b>Instrucciones de los diferentes .....</b>	<b>114</b>
modosEncender / Apagar	
Instrucciones de Modo de Operación	
Menú principal	
<b>Conexión de Wi-Fi / Ordenador / TV .....</b>	<b>126</b>
<b>Especificaciones del Producto .....</b>	<b>130</b>
<b>Garantía .....</b>	<b>131</b>

ES



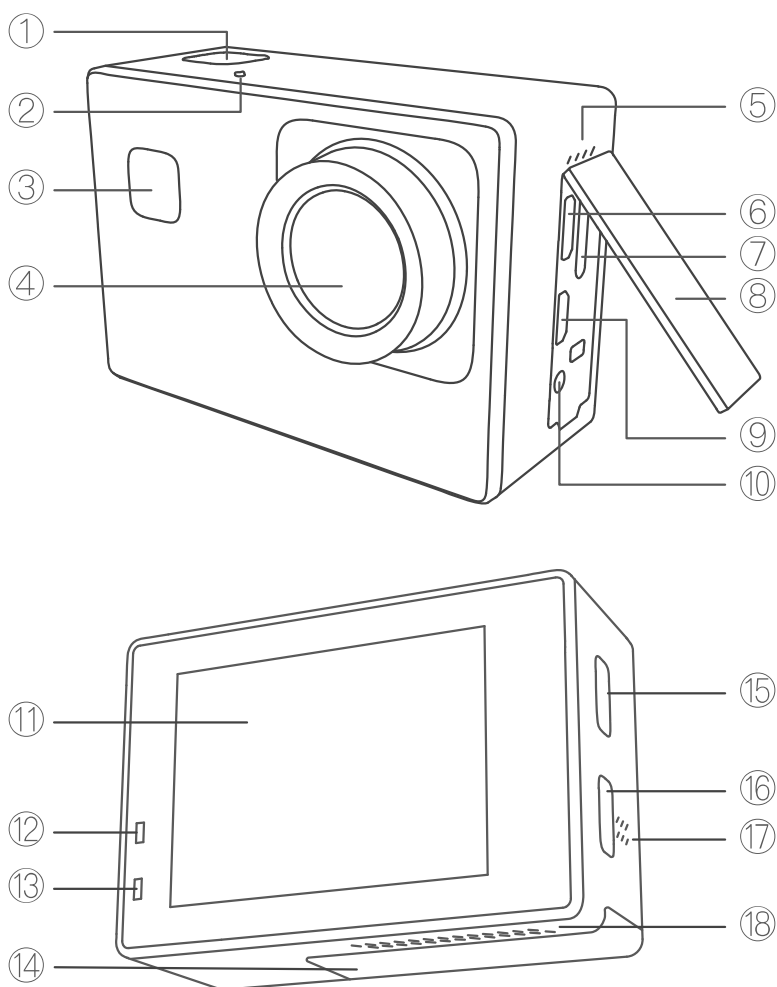
## Atención

- Manténgalo a salvo de caídas.
- Manténgalo alejado de cualquier objeto que haga fuertes interferencias magnéticas como máquinas eléctricas para evitar así ondas de radio fuertes que puedan dañar el producto y afectar al sonido o la calidad de la imagen.
- Mantenga la cámara alejada del agua y líquidos (a menos que esté equipada de una carcasa impermeable). Esto puede causar un mal funcionamiento de la cámara.
- Manténgalo a salvo de los niños mientras está cargando. Cargar completamente la batería tarda alrededor de 3 horas. Le recomendamos que saque la batería de la cámara después de su uso para evitar la pérdida de energía de la batería.
- Recomendamos el uso de tarjetas Micro SD de Clase 10 de alta calidad (soporta hasta 64 GB) para obtener los mejores resultados. Formatee la tarjeta micro SD en la cámara antes del uso y reinicie la cámara después de formatearlo.
- No exponga el producto directamente a temperaturas superiores a 45 ° C.
- No coloque objetos pesados sobre la cámara.
- No coloque su tarjeta Micro SD cerca de objetos magnéticos fuertes para evitar errores o pérdidas de datos.

ES

## Instrucciones de producto

ES

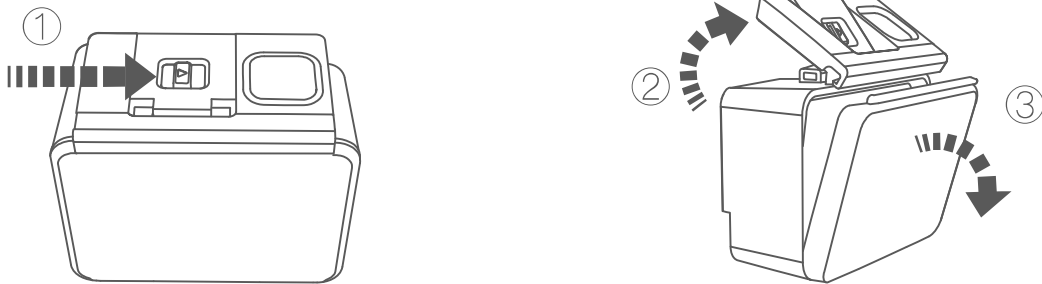


- |                                |                                 |
|--------------------------------|---------------------------------|
| ① OK/Obturador                 | ⑩ Interfaz de Micrófono Externo |
| ② Indicador de Wi-Fi           | ⑪ Pantalla                      |
| ③ Botón de modalidad/encendido | ⑫ Indicador de carga            |
| ④ Lentes de cámara de acción   | ⑬ Indicador de operación        |
| ⑤ Micrófono                    | ⑭ Tapa de la batería (empujar)  |
| ⑥ Puerto micro USB             | ⑮ Botón ARRIBA/Wi-Fi            |
| ⑦ ranura para tarjetas SD      | ⑯ Botón abajo                   |
| ⑧ Cubierta antipolvo           | ⑰ Altavoz                       |
| ⑨ Puerto Micro-HDMI            | ⑱ Agujeros de ventilación       |

## Preparación e instalación

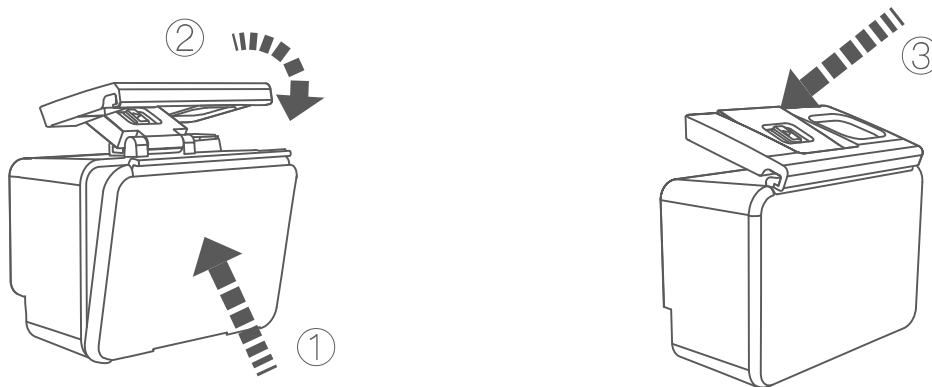
### Apertura y Cerrado de la Carcasa Sumergible

A. Cómo abrir correctamente la carcasa impermeable al agua



1. Para abrir la carcasa impermeable, primero apriete el botón hacia derecha , como lo indica la flecha.
2. Tire hacia arriba la hebilla de la carcasa impermeable.
3. Abra la cubierta posterior de la carcasa impermeable.

B. Cómo cerrar correctamente la carcasa impermeable al agua



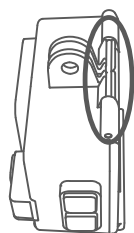
- Para cerrar la carcasa impermeable. En primer lugar, comprima la cubierta posterior de la carcasa impermeable como lo muestra la flecha 1.
- Tire hacia abajo de la hebilla y conéctela a la cubierta posterior como lo muestra la flecha 2.
- Tire hacia abajo la hebilla de la carcasa impermeable como lo muestra la flecha 3.

## Reemplazo de la Cubierta a Prueba de Polvo:

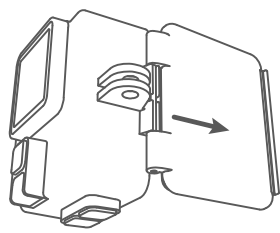
La carcasa de la cámara está configurada con dos cubiertas protectoras, una para impermeabilización, otra a prueba de polvo que no impermeabiliza, dependiendo del entorno use una u otra.

ES

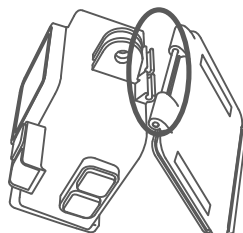
- La cubierta protectora para debajo del agua, playa, polvo y otro entorno adverso.
- La cubierta protectora ayuda a recibir el sonido, pero también puede reducir el ruido del viento en equitación, trote y otros deportes.



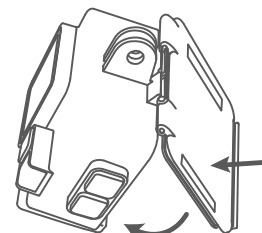
Step 1



Step 2



Step 3



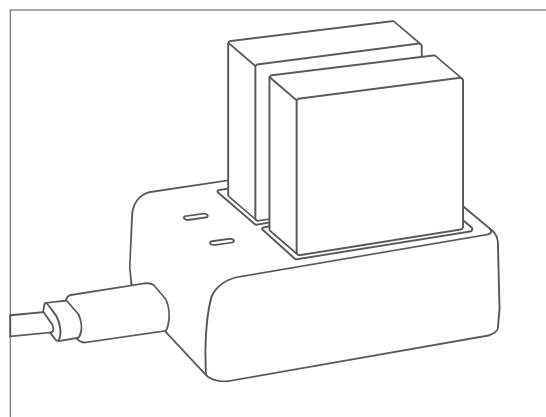
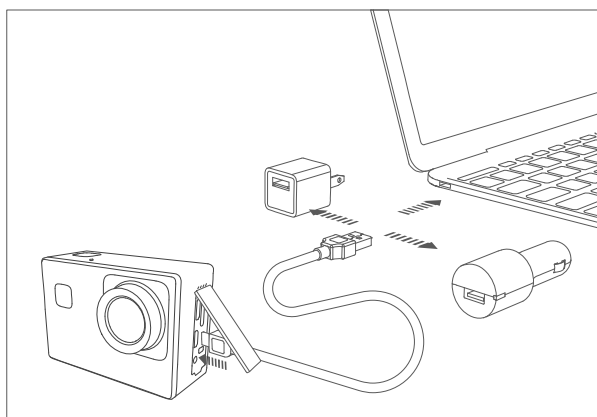
Step 4

- Para cambiar la cubierta a prueba de polvo o de humedad, abra la carcasa hasta el punto que coincidan los ejes metálicos de la carcasa con las aperturas de la cubierta, en la que se encajan los ejes, como se muestra en la imagen 1.
- Sostenga la carcasa con las manos y tire hacia abajo con cuidado para desmontar la cubierta, como lo muestra el paso 2.
- Encuentre la cubierta posterior a prueba de polvo en sus accesorios, tiene dos espacios internos en el lado izquierdo y derecho. Inserte la mitad inferior de la cubierta en la ranura, luego inserte la mitad superior en la ranura como el paso 4, hasta que toda la cubierta posterior esté totalmente instalada.

## Carga e instalación de la batería

La batería y la cámara se empaquetan por separado, por lo tanto, asegúrese de que la batería insertada en la cámara esté cargada de energía, antes de encender la cámara.

### A. Carga de la batería

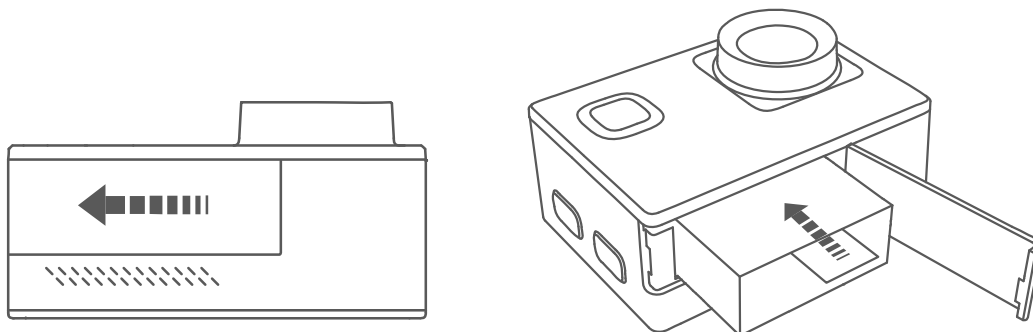


ES

- Encuentre el cargador de batería dual USB en los accesorios de la cámara.
- Al conectar el cargador con un cable USB, puede cargarlo con un enchufe o con el ordenador. La carga con el ordenador puede ser más lenta que con un adaptador de corriente debido a la menor potencia de salida de los puertos USB del ordenador.
- Inserte las dos baterías en el compartimento de carga. Cuando el cargador está funcionando, la luz roja significa que se está cargando, la luz azul significa que se ha cargado por completo.

El tiempo normal de carga total es de aproximadamente 3 horas, ¡no cargue demasiado!

## Instalación de la batería



ES

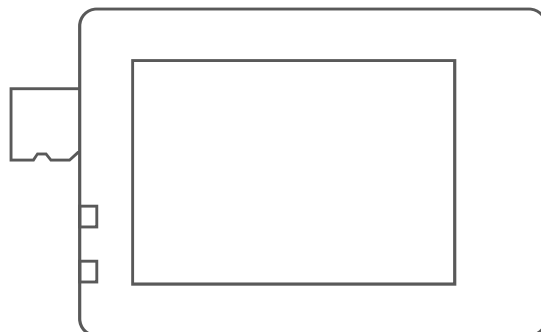
- Busque la parte del compartimento de la batería de la cámara de acción. Presione la tapa del compartimento de la batería y deslícela al mismo tiempo en la dirección de la flecha en la tapa del compartimento de la batería.
- Cierre la tapa de la batería después de insertar la batería.

Tenga en cuenta la dirección de la batería y la tapa de la batería al insertarla.

No retire la correa de tracción de la batería, que le ayuda a sacar la batería fácilmente.

## Inserción y formateo de la tarjeta SD

### A. Inserción y extracción de tarjeta SD



- Abra la cubierta antipolvo como se muestra en la diapositiva izquierda, busque la ranura para tarjeta Micro SD en la cámara de acción e inserte la tarjeta en la cámara de acción en la dirección correcta y empuje hacia adentro.

Extracción de la tarjeta SD: Presione la tarjeta SD hacia abajo hasta que escuche un sonido de inserción; Entonces la tarjeta SD saldrá con un sonido pop.

### B. Formatear la tarjeta SD

- Inserte la tarjeta SD en el estado de apagado de la cámara de acción y luego encienda la cámara de acción.
- Mantenga presionado el botón **【OK/Botón del obturador】** durante 2 segundos para ingresar al modo de menú.
- Presione el botón **【abajo】** para establecer el modo; luego presione el botón **【modalidad/encendido】** para ingresar a la parte de configuración; busque " " formateo " " y confirme.

La cámara admite tarjetas SD de marca normal, clase 10 o superior, de 8 GB a 64 GB, asegúrese de la calidad de la tarjeta SD. Debes formatear la tarjeta SD en la cámara de acción antes de usarla.

## Instrucciones de operación

La serie A79 tiene cuatro tipos de modalidades: Modalidad video / foto, Modalidad de reproducción, Configuración / Salida.

A continuación se ofrecen instrucciones sobre las funciones de cada botón en estas modalidades.

ES

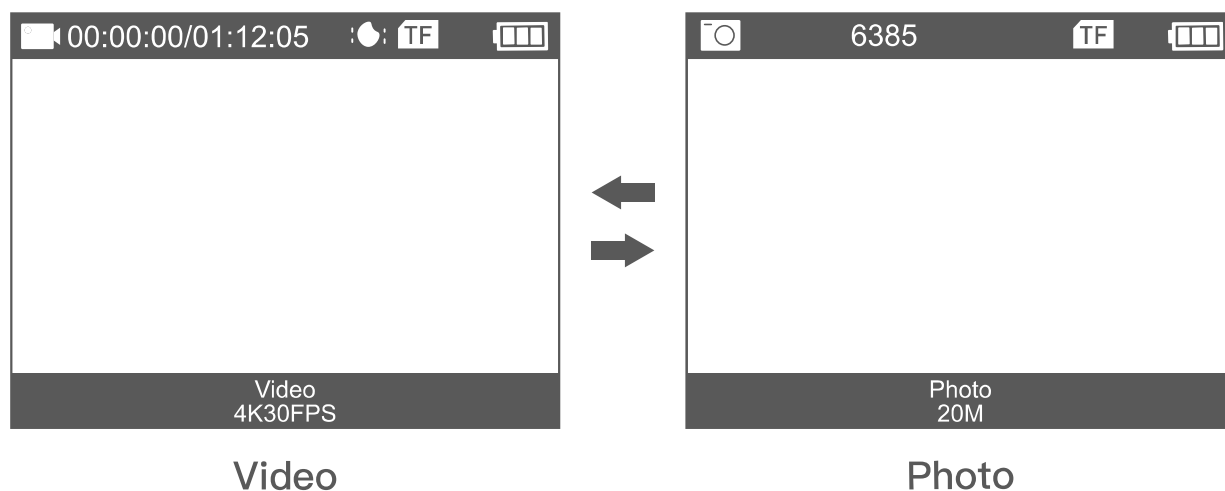
### Encendido/Apagado

Pulsación corta 「Botón de encendido / MODO」 : enciende la cámara.  
Presione prolongadamente la 「Botón de encendido / MODO」 :  
apague la cámara.

Debajo de cada modo.

### Instrucciones de funcionamiento de modo

Encienda la cámara de acción y presione el botón **【Encendido/Modalidad】** repetidamente para recorrer las modalidades de la cámara. Los modos aparecerán en el siguiente orden.



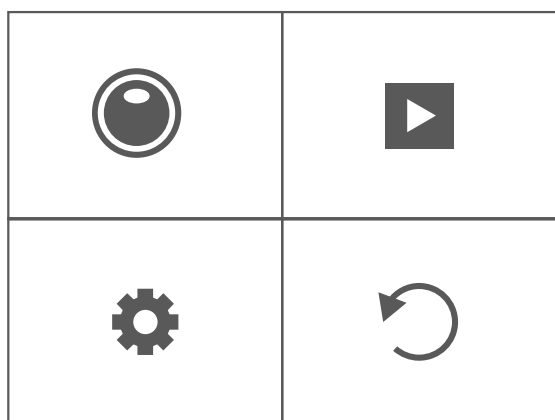


## MENÚ PRINCIPAL

Mantenga presionado el botón **【OK/Obturador】** después de encender para ingresar al menú Configuración. Presione el botón **【Arriba】** o **【Abajo】** para desplazarse por las distintas opciones, y luego presione el botón **【OK/Obturador】** para seleccionar el opción deseada. Presione **【Encendido/Modalidad】** para salir de la interfaz.

Menú de configuración: Seleccione modo, Modo de reproducción, Configuración del sistema, Configuración de video/foto y Salir.

ES

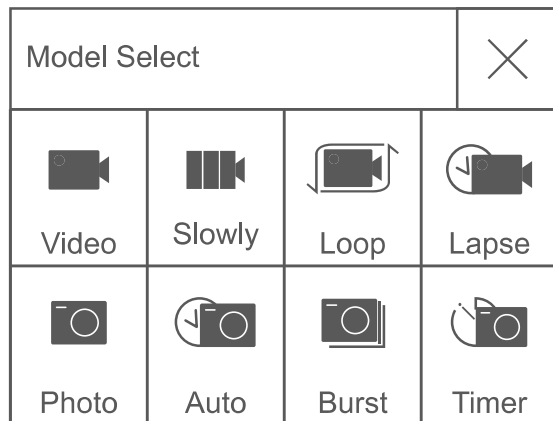


- ① Seleccionar modo
- ② Reproducción
- ③ Configuración del sistema y video/foto
- ④ Salir

## SELECCIONAR MODALIDAD

Mantenga presionado el botón **【OK/Obturador】** después de encender para ingresar al menú Configuración.

Elija Seleccionar modalidad, Aquí puede elegir las modalidades de video e imagen



ES

**Modo de video:** video / Slow Motion / Loop / Time Lapse

**Modo de imagen:** Foto / Automático / Disparo continuo / Timer

## MODALIDAD VÍDEO

Habr  un icono de video en la esquina superior izquierda de la pantalla de la c mara de acci n. Confirme que ha configurado los ajustes de video. Si no se muestra el icono de video en la pantalla LCD de la c mara de acci n, mantenga presionado el bot n **【OK/Obturador】** para ingresar al men  y elija el modo de video en el modo de selecci n (por ejemplo, video / Slow Motion / Loop / Time Lapse).

ES

### Para comenzar a grabar:

Presione el bot n **【OK/Obturador】** . Durante la grabaci n, la luz de estado de la c mara de acci n (azul) parpadear  a la izquierda de la pantalla, el icono de grabaci n en la esquina izquierda de la pantalla se volver  rojo.

### Para detener la grabaci n:

Vuelva a pulsar el bot n **【OK/Obturador】** . La luz de estado de la c mara de acci n (azul) a la izquierda de la pantalla y el icono de grabaci n en la esquina superior izquierda de la pantalla se volver n blancos para indicar que la grabaci n se ha detenido.

Adem s, tenga en cuenta que en el modo de Slow Motion y el modo de Time Lapse, la grabaci n con micr fono no es compatible.

### Para activar/desactivar la grabaci n de audio:

Presione el bot n Abajo. El  cono MIC mostrar  el estado en la esquina superior derecha de la pantalla.

**Sugerencia:**

Esta cámara de acción deja de grabar automáticamente cuando la batería está baja. El video se archivará antes de que se apague la cámara de acción. Esta cámara de acción detiene automáticamente la grabación cuando la tarjeta SD está llena si la función de grabación en Loop está desactivada. Los archivos se sobrescribirán en el orden de grabación cuando la tarjeta SD esté llena si la función de grabación en Loop está activada.

ES

## MODALIDAD FOTO

Habr  un icono de c mara en la esquina superior izquierda de la pantalla de la c mara de acci n. Confirme que ha configurado los ajustes de la foto.

Si no se muestra el icono de la c mara en la pantalla LCD de la c mara, mantenga presionado el bot n **【OK/Obturador】** en el men  y elija la modalidad Foto en el modo Seleccionar (como Foto / Auto / Disparo continuo / Temporizador).

ES

### Tomar una foto:

Presione el bot n **【OK/Obturador】** . la luz de estado de la c mara (azul) parpadear  una vez a la izquierda de la pantalla y la c mara emitir  un sonido de obturador (el volumen en la configuraci n general debe estar encendido).

### Foto autom tica:

Presione el bot n **【OK/Obturador】** . la c mara tomar  una foto despu s del tiempo establecido.

### Disparo continuo:

Presione el bot n **【OK/Obturador】** , la c mara toma continuamente la cantidad de fotos que establezca. En este punto, el intervalo de tiempo establecido en Foto secuencial ya no ser  v lido.

### Timer de fotos:

Presione el bot n **【OK/Obturador】** . habr  un icono de reloj en el centro de la pantalla de la c mara. El n mero que se muestra en el icono es el intervalo de tiempo para tomar fotograf as.

# REPRODUCCIÓN

## Reproducción de videos y fotos

Mantenga presionado el botón **【OK/Obturador】** después de encender para ingresar al menú Configuración. Seleccione la modalidad de reproducción en la esquina superior derecha.

Presione el botón **【ARRIBA/ABAJO】** para desplazarse por los videos o fotos, y luego presione el botón **【OK/Obturador】** para reproducir / detener las opciones deseadas.

ES

## Borrar archivos

En la interfaz de vista previa del archivo, mantenga presionado el botón **【OK/Obturador】** para seleccionar si desea eliminar el archivo actual.

Mientras reproduce videos, mantenga presionado el botón ABAJO para avanzar rápidamente el video y presione el botón ARRIBA para rebobinar.

## Salir del modo de reproducción

Presione el botón **【Encendido/Modalidad】** .

**Sugerencias:** Dado que las diferentes cámaras de acción admiten diferentes formatos de archivo, es posible que los archivos grabados en otras cámaras con la misma tarjeta de memoria no se puedan reproducir en esta cámara de acción.

# AJUSTES

## Ajustes de video

Presione **【OK/Obturador】** para confirmar

Presione el botón **【ARRIBA/ABAJO】** para seleccionar

Presione el Botón **【encendido/modalidad】** para volver

**Resolución de video:** 4K 30fps / 2.7K 30fps / 1080p 60fps /  
1080p 30fps / 720p 120fps / 720p 60fps / 720p 30fps

La resolución predeterminada es 4K 30 fps.

**EIS:** apagado / encendido.

Elija habilitar / deshabilitar anti-vibración.

**Corrección de distorsión:** Desactivado / Activado.

Elija habilitar / deshabilitar la corrección de distorsión.

EIS y la corrección de distorsión no se pueden activar al mismo tiempo

**Balance de blancos:** Automático / Soleado / Nublado / Incandescente / Fluorescente

**Configuración de exposición:** -3.0 ~ 0 ~ + 3.0

**Modo de medición:** Medición promedio / Medición central /  
Medición puntual / Medición matricial

**Nitidez:** alta / media / baja

**Calidad de video:** alta / media / baja

**ISO:** Automático / 100/200/400/800/1600/3200/6400

ISO se refiere a la sensibilidad a la luz de la película o del sensor de imagen. Además de simplemente cambiar la exposición, la ISO también afecta la calidad de la imagen.

Un ISO más alto generalmente da como resultado una imagen "ruidosa" o "granulada".

**Marca de agua de tiempo:** ON / OFF

ES

**Rec Audio:** encendido / apagado

**Slow Motion:** 1080P 2X / 720P 4X

**Resolución de grabación en Loop:** 4K 30fps / 2.7K 30fps / 1080p 60fps / 1080p 30fps / 720p 120fps / 720p 60fps / 720p 30fps

**Duración del video en Loop:** 2 min./3 min./5 min.

Cuando esta función está activada, el video grabado se segmentará a la hora establecida.

**Resolución de grabación de Time Lapse:** 4k / 2.7k / 1080P / 720P

**Intervalo de grabación:** 0,5 s / 1 s / 2 s / 5 s / 10 s / 30 s / 60 s / el video grabado se comprimirá durante el tiempo establecido. Por ejemplo, una imagen de escena puede capturarse una vez por segundo y luego reproducirse a 30 fotogramas por segundo; este es un aparente aumento de velocidad de 30x.

**Duración del video:** ilimitado / 6 s / 8 s / 10 s / 20 s / 30 s / 60 s / 120 s



## Configuración de foto

Presione **【OK/Obturador】** para confirmar

Presione el botón **【ARRIBA/ABAJO】** para seleccionar

Presione el botón **【encendido/modalidad】** para volver

**Resolución de foto:** 20 M / 16 M / 13 M / 8 M

La resolución predeterminada es 20M

**Configuración de exposición:** -3.0 ~ 0 ~ + 3.0

ES

**Modo de medición:** medición promedio / medición central / puntual  
Medición / Medición matricial

**Nitidez:** alta / media / baja

**ISO:** Automático / ISO100 / ISO200 / ISO400 / ISO800 / ISO1600  
/ ISO3200 / ISO6400

**Marca de agua de tiempo:** ON / OFF

**Intervalo de foto automático:** 3 s / 10 s / 15 s / 20 s / 30 s /

**Balance de blancos:** Automático / Soleado / Nublado / Incandescente / Fluorescente

**Velocidad de ráfaga de fotos:** 3 p / s, 5 p / s, 10 p / s

Presione el botón **【OK/Obturador】** una vez para tomar algunas fotos seguidas.

**Cuenta regresiva de Time Lapse:** 3s / 5s / 10s / 20s /

Después de presionar el botón **【OK/Obturador】** una vez, la cámara toma fotografías en 3/5/10/20 segundos.

## Configuración general

**Rotación de imagen:** ON / OFF

Cuando esta configuración está activada, la pantalla de la cámara se mueve hacia arriba y hacia abajo.

**Wi-Fi:** ENCENDIDO / APAGADO

**Información de Wi-Fi:** muestra el nombre y la contraseña de WIFI

**Restablecer Wi-Fi:** Confirmar / Cancelar

**Frecuencia de la fuente de luz:** Auto / 50 HZ / 60 HZ

**Indicador LED:** encendido / apagado

**Salvapantallas automático:** OFF / 3 s / 1 minuto / 2 minutos

Después de un cierto período de tiempo, si no se realiza ninguna operación en la cámara, la pantalla se volverá negra automáticamente. En este punto la cámara no se apaga, puede presionar cualquier botón para iluminar la pantalla.

**Apagado automático:** APAGADO / 3 minutos / 5 minutos / 10 minutos

Después de establecer un tiempo, si no hay operación de la cámara, la cámara se apagará automáticamente.

**Mensaje de botón:** APAGADO / Alto / Medio / Bajo

Ajuste el sonido presionando los botones.

**Idioma:** English/Español//Portugues/Русский/ 简体中文 / 繁体中文 /Deutsch/Italiano/Français/ 日本語 .

**Formato de hora:** YY / MM / DD, MM / DD / YY, DD / MM / YY

**Time Set:** marca de tiempo en fotos y videos.

Utilice el botón **【Arriba/Abajo】** para cambiar el valor

Utilice el botón **【OK/Obturador】** para pasar al siguiente elemento

Utilice el botón **【encendido/modalidad】** para regresar

**Fecha fijada:**

Utilice el botón **【Arriba/Abajo】** para cambiar el valor

utilice el botón **【OK/Obturador】** para pasar al siguiente elemento

use el botón **【encendido/modalidad】** para regresar

ES

**Consejos:** dado que la cámara no tiene una batería incorporada, una vez que se quita la batería o se agota la cámara durante el disparo, la hora de la cámara se restablecerá a 2019/01/01 en el próximo encendido y luego deberá reiniciar el 'ahora en la configuración.

**Formato:** confirmar / cancelar

Formatee la tarjeta de memoria en la cámara. Una vez que esto se implemente, se eliminarán todas las fechas. Se recomienda formatear la tarjeta de memoria en la Action Cam antes de usarla.

**Información del dispositivo:** muestra el modelo del dispositivo, la versión del software y la fecha de actualización.

**Restablecer la configuración de fábrica:** confirmar / cancelar

Restablece todas las configuraciones de la cámara a la configuración predeterminada.

**SALIDA**

Presione el botón **【OK/Obturador】** para salir de la configuración.

## Conexión Wi-Fi/Computadora/TV

### Conexión wifi

Conectarse a Wi-Fi

La aplicación Wi-Fi le permite controlar la cámara de forma remota en un smartphone o tablet. Puede ver el video o las imágenes en su smartphone y descargar las grabaciones. Los pasos de conexión son los siguientes:

ES

Descargue la aplicación APEMAN (o XDV PRO) en su smartphone o tablet en Google Play o App Store.

- Presione el botón **【Arriba】** para encender Wi-Fi después de encender la cámara de acción. La luz de estado (amarilla) en la parte superior de la cámara permanece parpadeando mientras la cámara espera una conexión Wi-Fi y la luz permanece encendida cuando Wi-Fi está conectado.

Busque y conecte el Wi-Fi en la lista de Wi-Fi de su smartphone con el nombre y la contraseña de Wi-Fi que se muestran en la cámara de acción.

Abra la aplicación APEMAN (o XDV PRO) en su smartphone o tablet después de que el Wi-Fi del teléfono inteligente esté conectado a la cámara de acción, encontrará que la acción está controlada por su dispositivo.

## Consejos:

- Presione y mantenga presionado el botón Arriba nuevamente para apagar Wi-Fi.
- La cámara solo se puede conectar a un dispositivo a la vez.

La conexión Wi-Fi consume algo de energía, así que evite conectarse a Wi-Fi cuando la batería esté baja.

La aplicación APEMAN es compatible con los smartphones y tablets que se enumeran a continuación:

ES

### Para Apple iOS

- iPhone (por encima de 5S), iPad Air & Mini & Pro, iPod touch (superior a IOS9)

### Para Android

- por encima de Android 5.0

Aplicación disponible en:



## Conexión a la computadora

Hay tres opciones cuando se usa el cable micro-USB incluido para conectarse a una computadora: Modo de carga, Modo de almacenamiento masivo, modo de cámara.

Presione el botón **【Arriba/Abajo】** para alternar entre estos tres modos y presione el botón **【OK/Obturador】** para ingresar.

ES

**Modo de carga:** el cable USB se utiliza solo como cable de carga. En este modo, todavía es posible utilizar la cámara de acción.

**Modo de almacenamiento masivo:** acceda a los archivos almacenados en la tarjeta micro SD de la Action Cam para copiarlos o verlos en una computadora. Esta función también se puede obtener de un lector de tarjetas micro SD.

**Modo de cámara:** utilícelo como cámara web para chatear con video y grabar videos en su computadora. Es posible que primero deba permitir que Adobe Flash Player se ejecute en su software de chat de video si desea usarlo como una cámara web.

## Conexión de la TV

Con salida HDMI, puede ver películas e imágenes grabadas por esta cámara en pantallas grandes de TV, proyector, etc.

- Apague la cámara de acción.
- Conecte la cámara de acción al televisor con un cable Micro HDMI disponible en el mercado (NO INCLUIDO).
- Encienda la cámara de acción y active la configuración HDMI en el dispositivo que desea insertar.

ES

### Consejos:

- El dispositivo de entrada HDMI debe admitir 1080P.
- Al transmitir HDMI, la pantalla de la cámara se vuelve negra. La pantalla se muestra en el dispositivo de entrada HDMI, pero la operación se realiza con la cámara de acción.

## Uso de la cámara a través del control remoto de 2,4 GHz

Utilice el control remoto para tomar fotos o videos tocando el botón de foto (rojo) o el botón de video (gris). Funciona en el modo de foto o video actual o cambia al modo de foto o video estándar para tomar o grabar. Después de un uso prolongado, la batería eventualmente deberá ser reemplazada. Desatornille los cuatro tornillos pequeños en la parte posterior de la caja y reemplácelos con una nueva batería de celda CR2025.

## Especificaciones del producto

Modelo	A79
Captura	Sony IMX135
Lente	170 ° Objetivo a gran angular (ajustable)
Tamaño de la pantalla	LCD 2 pulgadas
Resolución de fotografía	20M/16M/12M/8M
Formato de vídeo	H.264 code; MP4
Formato de imagen	JPEG
Conexión Wi-Fi	Soutenir Android / iOS (5 mètres)
Tarjeta Micro SD	Classe 10, FAT 32, 8GB-64GB
EV	Auto(-3.0~3.0EV)
Puertos	Micro USB / Micro HDMI/ DC2.5 Micrófono
Tiempo de carga	Sobre 3 horas (5V / 2A)
Profundidad sumergible	40M/131.2 pies
Temperatura de funcionamiento	0°C~45°C
Batería	Batería Li-ion recargable de 1050 mAh
Contacto postventa	support.ac.es@apemans.com

ES



## Garantía

Todos los productos APEMAN vienen con una garantía limitada de 12 meses a partir de la fecha de compra y contamos con un equipo de servicio de atención al cliente profesional para su apoyo tan pronto como nos sea posible.

Si tiene preguntas, dudas o preguntas sobre nuestro producto o la garantía, no dude en ponerse en contacto por correo electrónico. Respondemos en un plazo de 24 horas y hacemos nuestro mejor esfuerzo para ayudarle a resolver el problema hasta que esté satisfecho.

ES

Complaint Mailbox: [support.ac@apemans.com](mailto:support.ac@apemans.com)  
US/CA [support.ac.us@apemans.com](mailto:support.ac.us@apemans.com)  
JP [support.ac.jp@apemans.com](mailto:support.ac.jp@apemans.com)  
UK [support.ac.uk@apemans.com](mailto:support.ac.uk@apemans.com)  
DE [support.ac.de@apemans.com](mailto:support.ac.de@apemans.com)  
FR [support.ac.fr@apemans.com](mailto:support.ac.fr@apemans.com)  
IT [support.ac.it@apemans.com](mailto:support.ac.it@apemans.com)  
ES [support.ac.es@apemans.com](mailto:support.ac.es@apemans.com)

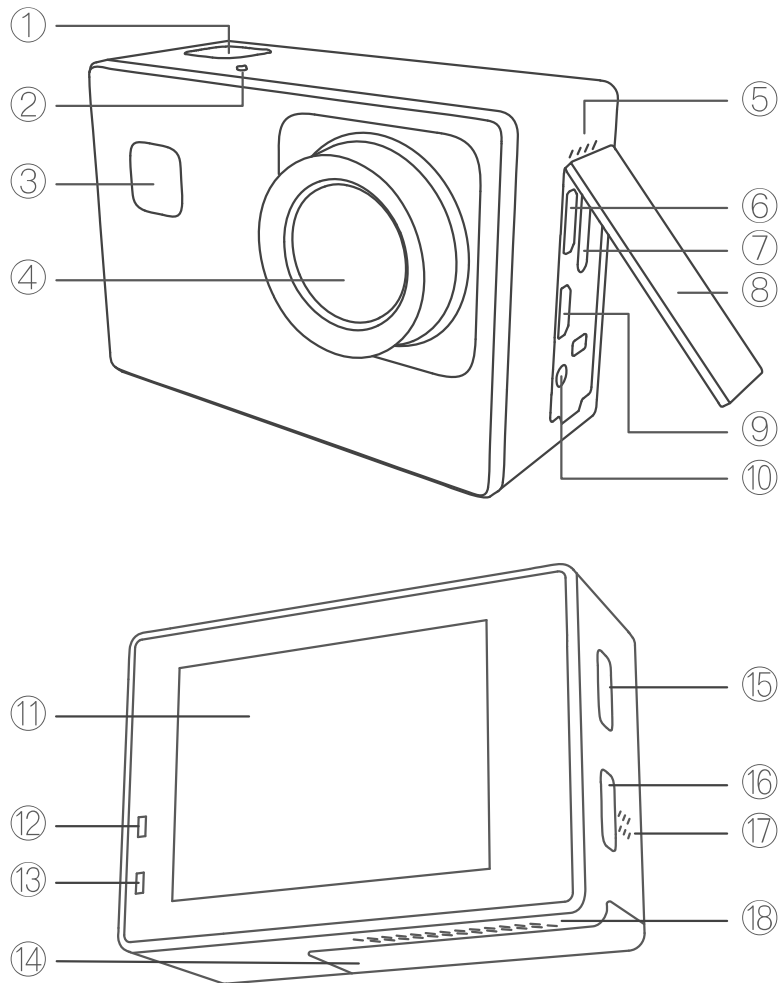
## 内容

注意事項 .....	133
製品取扱説明 .....	134
ボタンについて	
準備とインストール .....	135
防水ケースの使い方	
防塵カバーの取り付け方	
電池の充電と取り付け方	
SD カードの挿入とフォーマット	
操作説明 .....	140
電源 オン / オフ	
モード操作説明	
Menu	
Wi-Fi / コンピュータ / テレビの接続方法 .....	151
製品仕様 .....	155
保証及びアフターサービス .....	156

## 注意事項

- 落ちないようにご注意ください。
- 製品に損傷を与え、音質や画質に影響する可能性のある強い電波を避けるため、電気機械などの強い磁気干渉物から離してください。
- カメラを水や液体から離してください（防水ケースを備えていない場合）。これにより、カメラが誤動作する可能性があります。
- 充電中は、子供の手の届かない場所に保管してください。充電が完了するには約 3.5 時間かかります。電池の消耗を避けるために、使用後はバッテリーをカメラから取りはずしておくことをお勧めします。
- 最良の結果を得るには、高品質の Class 10 Micro SD カード（最大 64 GB）を使用することをお勧めします。カメラを使用する前に、microSD カードをフォーマットしてから、フォーマット後にカメラを再起動してください。
- 製品を 45°C以上の高温に直接さらさないでください。
- カメラに重いものをのせないでください。

## ボタンについて



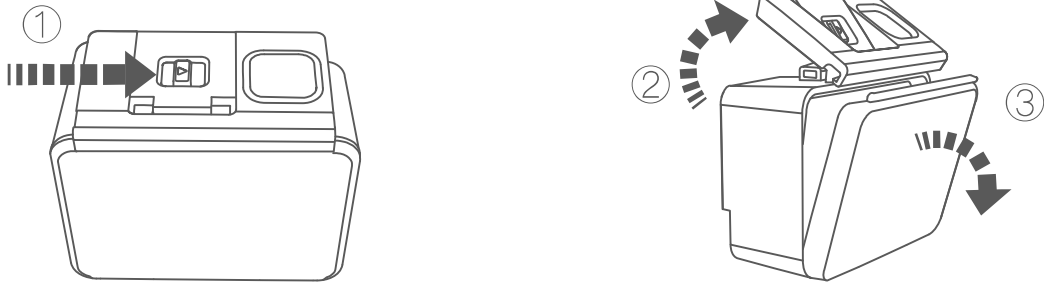
JP

- |                 |                  |
|-----------------|------------------|
| ① OK / シャッターボタン | ⑩ 外部マイクインターフェース  |
| ② Wi-Fi インジケーター | ⑪ スクリン           |
| ③ モード / 電源ボタン   | ⑫ 充電インジケーター      |
| ④ レンズ           | ⑬ 動作インジケーター      |
| ⑤ マイクロフォン       | ⑭ バッテリーカバー(プッシュ) |
| ⑥ microUSB ポート  | ⑮ UP / Wi-Fi ボタン |
| ⑦ TF カードスロット    | ⑯ 下ボタン           |
| ⑧ ダストカバー        | ⑰ スピーカー          |
| ⑨ microHDMI ポート | ⑱ ベント            |

## 準備とインストール

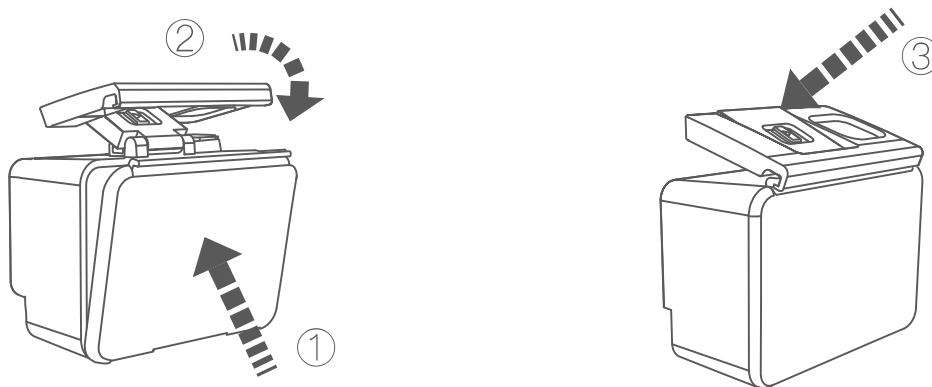
### 防水ケースの使い方

#### A. 防水ケースを正しく開ける方法



1. 防水ケースを開けるには、まず矢印の示した通りにトップから右にスイッチを入れてください。
2. バックルを引き上げてください。
3. 裏蓋を開けてください。

#### B. 防水ケースを正しく閉じる方法



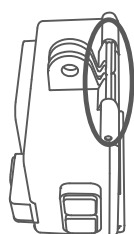
- 防水ケースを閉じるには、まず矢印 1 の示した通りに防水ケースの裏蓋をコンプレスしてください。  
矢印 2 のようにバックルを引き下げて、裏蓋に接続してください。  
矢印 3 のように、防水ケースのバックルを引き下げてください。

## 防塵カバーの取り付け方

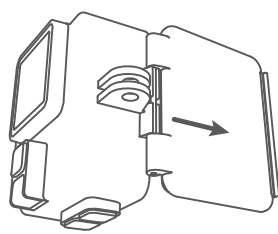
カメラケースには、二つ保護カバーがあります。一つは防水用ですが、もう一つは防水用ではなく環境による防塵用です。

- 水中、ビーチ、ほこり及びその他の不利な環境のための保護カバー。
- この保護カバーは音を受け取るだけでなく、ジョギングなどのスポーツで生じる風の音も減少できます。

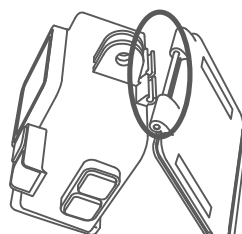
JP



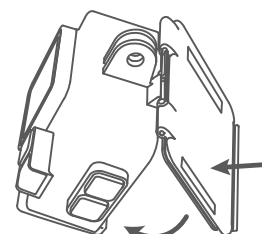
Step 1



Step 2



Step 3



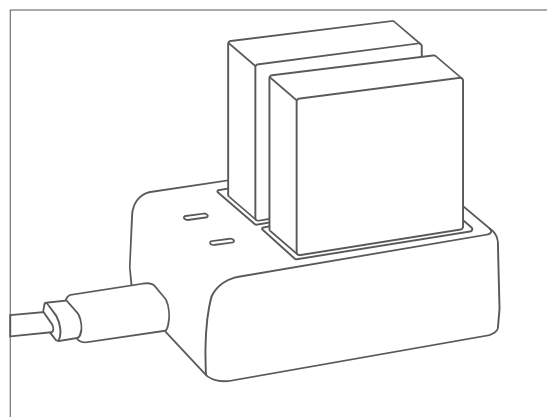
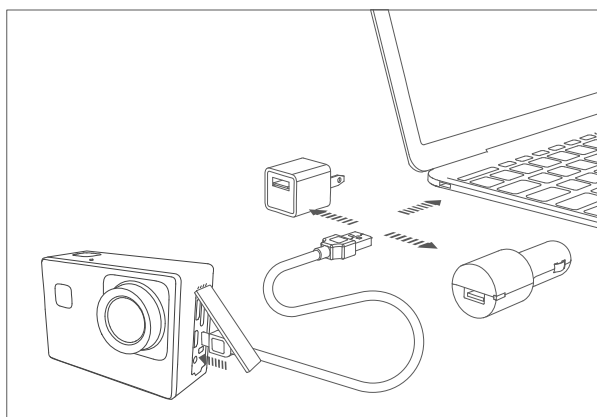
Step 4

- 防塵ケースを交換するには、まずステップ①の示したように防水ケースのスロットを見つけてください。
- ステップ②のように、ケースを持ち、その正面にあるスロットに向けて、防水裏カバーを引き裂いてください。
- アクセサリーには、左右に総計二つスペースがあります。カバーの下半分をスロットに挿入し、ステップ④のように上半分をスロットに押し込み、後部カバー全体が完全に取り付けられるまで押し込みます。

## 電池の充電と取り付け方

バッテリーとカメラは別々に梱包されていますので、カメラの電源を入れる前に、バッテリーが充電されていることをご確認ください。

### A. 電池充電

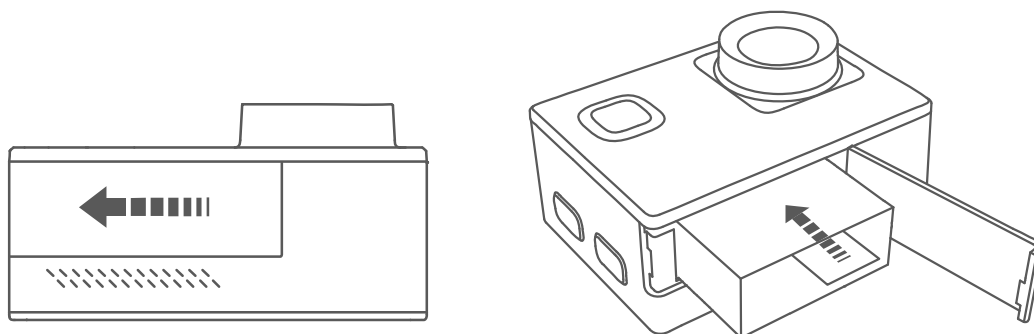


JP

- カメラ部品のデュアルUSB 充電器を見つけてください。
- 充電器を USB ケーブルで接続すると、電源プラグまたはコンピュータに充電できます。コンピュータの USB ポートの電力出力が低いいため、コンピュータでの充電は電源アダプタを使用する場合より遅くなる場合があります。
- 二つバッテリーを充電室に挿入します。充電器が作動しているとき、赤色のライトが点灯し、青色のライトは充電が完了することを意味します。

カメラのフル充電時間は約 3.5 時間ですが、長時間充電しないでご注意ください!

## B.バッテリーの取り付け



JP

- カメラのバッテリー挿入口を確認します。バッテリーカバーを押しながら、バッテリーカバーの矢印の方向にスライドさせると、バッテリーカバーが飛び出します。
- 電池を挿入後、電池カバーを取り付けてください。

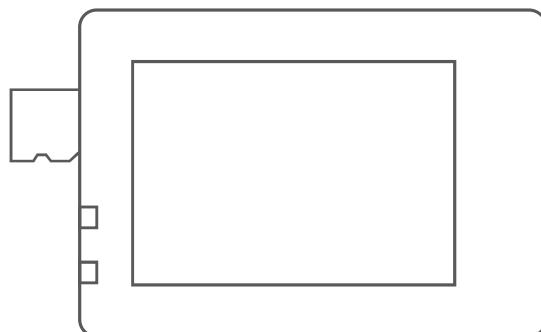
電池と電池カバーの向きにご注意ください。

バッテリーを簡単に引き抜くため黄色のバッテリープルタブをお使いください。



## SD カードの挿入とフォーマット

### A.SDカードの挿入と取り出し



- 左のダストカバーを開け、カメラの microSD カードスロットに、カードを挿入して内側に押し込みます。
- SD カードの取り出し：音が聞こえるまで SD カードを押し下げます。その後、SD カードが音とともに取り出せます。

### B. SDカードのフォーマット

- SD カードを電源を切った状態で挿入し、カメラの電源を入れます。
- **【OK / シャッター】** ボタンを 2 秒間押し続けると、メニューモードに入ります。
- **【下】** ボタンを押して設定モードにした後、**【電源 / モード】** ボタンを押して設定部に入り、フォーマットの項目で確認して行います。

カメラは有名ブランドのSDカードで、Class10以上、8GBから64GBをサポートしています。SDカードの品質を確認してください。SDカードを使用する前に、カメラでフォーマットする必要があります。

## 操作説明

A79シリーズには4種類のモードがあります：ビデオ/写真モード、再生モード、設定モード、終了モードです。

以下は、これらのモードでの各ボタンの機能説明です。

### 電源 オン/オフ

「電源 / モードボタン」を短い時間押す：カメラオン！

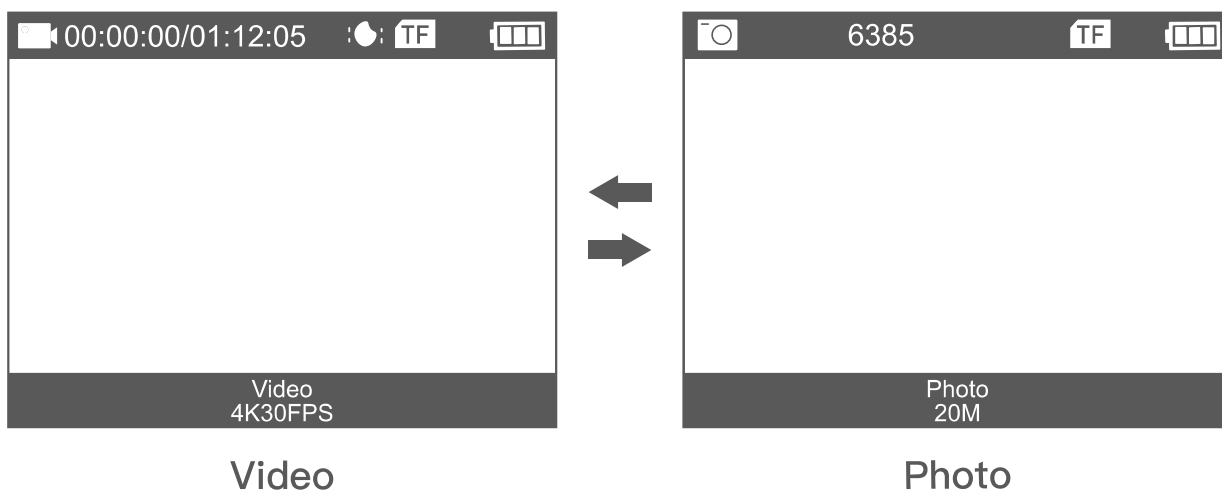
「電源 / モードボタン」を長い時間押す：カメラオフ！

JP

## 各モードについて





### モード操作説明

カメラの電源を入れ、【電源 / モード】 ボタンを何度も押して、カメラモードを切り替えます。モードは次の順序で表示されます。



## メニュー表

電源投入後、【OK /シャッター】 ボタンを長押しして、設定メニューに入ります。【上】または【下】 ボタンを押していろいろな設定項目の中から、【OK /シャッター】 ボタンを押して目的の項目を選択します。【電源/モード】 ボタンを押して設定メニューを終了します。設定メニュー：モード選択、再生、システムとビデオ/写真の設定、および終了。

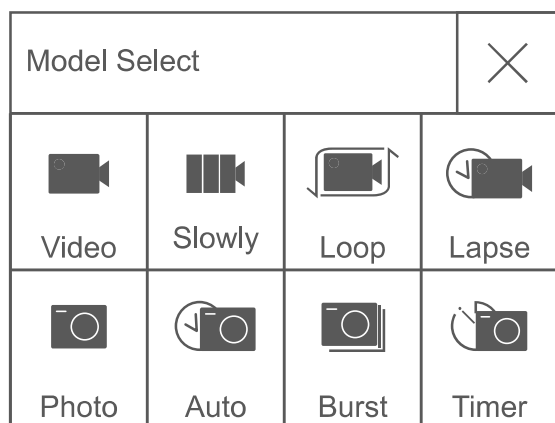
	
	

- ① モード選択
- ② 再生
- ③ システムとビデオ/写真の設定
- ④ 終了

## モード選択

電源投入後、【OK /シャッター】 ボタンを長押しして、設定メニューに入ります。

モード選択を選択し、ここでは、ビデオモードと画像モードを選択できます



JP

ビデオモード：ビデオ/スロー/ループ/タイムラプス

画像モード：写真/自動/バースト/タイマー

## ビデオモード

カメラ画面の左上隅にビデオアイコンが表示されます。動画の設定ができていることを確認してください。カメラのLCDにビデオアイコンが表示されていない場合は、メニューの【OK / シャッター】ボタンを長押しし、モード選択でビデオモード（ビデオ / スロー / ループ / タイムラプスなど）を選択します。

### 録画を開始するには:

【OK / シャッター】ボタンを押す。録画中は、画面左側のカメラステータスライト（青）が点滅し、画面左隅の録画アイコンが赤に変わります。

### 録音を停止するには:

【OK / シャッター】ボタンをもう一度押す。画面左側のカメラステータスライト（青）と画面左上の録画アイコンが白く変わり、録画が停止したことを示します。

また、スロービデオモードおよびタイムラプスビデオモードの場合、マイク録音はされないことに注意してください。

### 音声録音をオン / オフにするには:

下ボタンを押します。MIC アイコンは、画面の右上隅にステータスを表示します。

### ヒント:

このカメラは、バッテリーの電源が切れると自動的に録画を停止します。カメラの電源が切れる前に、ビデオが保存されます。ループ録画機能がオフになっている場合、SDカードがいっぱいになると、このカメラは自動的に記録を停止します。ループ録画機能をオンにすると、SDカードがいっぱいになると記録順にファイルが上書きされます。

## 写真モード

カメラ画面の左上隅にカメラアイコンが表示されます。写真の設定がされていることを確認してください。

カメラの LCD にカメラアイコンが表示されない場合は、メニューの【OK / シャッター】 ボタンを長押しし、モデル選択で写真モード（写真 / 自動 / バースト / タイマーなど）を選択します。

写真をキャプチャするには：

【OK / シャッター】 ボタンを押します。画面左側にカメラのステータスライト（青）が1回点滅し、シャッター音が鳴ります（一般設定の音量をオンにする必要があります）。

自動写真：

【OK / シャッター】 ボタンを押します。設定した時間後にカメラが写真を撮ります。

バースト写真シリーズ：

【OK / シャッター】 ボタンを押すと、設定した枚数だけカメラが連続撮影します。このとき、タイムラプス写真で設定した時間間隔は無効になります。

タイマー写真：

【OK / シャッター】 ボタンを押します。カメラ画面の中央に時計のアイコンが表示されます。アイコンに表示されている数字は、写真を撮る時間間隔です。

## 再生

### ビデオと写真の再生

電源投入後、【OK / シャッター】 ボタンを長押しして、設定メニューに入ります。右上隅にある再生モードを選択します。

【上 / 下】 ボタンを押して動画や写真を循環させ、【OK / シャッター】 ボタンを押して目的のものを再生 / 停止します。

### ファイルを削除する

ファイルプレビューインターフェイスで、【OK / シャッター】 ボタンを長押しして、現在のファイルを削除するかどうかを選択します。ビデオの再生中に、下ボタンを長押ししてビデオを早送りし、上ボタンを押して巻き戻します。

### 再生モードを終了します

【電源 / モード】 ボタンを押します。

**ヒント:** 異なるカメラは異なるファイル形式をサポートしているため、同じメモリカードを備えた他のカメラで記録されたファイルはこのカメラで再生できない場合があります。

## 「ビデオ設定

【OK / シャッター】 ボタンを押して確定します

【上 / 下】 ボタンを押して選択し

【電源 / モード】 ボタンを押して戻ります

**ビデオ解像度:** 4K 30fps / 2.7K 30fps / 1080p 60fps / 1080p 30fps / 720p 120fps / 720p 60fps / 720p 30fps  
デフォルトの解像度は 4K30fps です。

JP

**EIS:** オフ / オン。

アンチシェイクのオン / オフを選択します。

**歪み補正:** オフ / オン。

歪み補正のオン / オフを選択します。

EIS と歪み補正を同時にオンにすることはできません

**ホワイトバランス:** 自動 / 晴れ / 曇り / 白熱灯 / 蛍光灯

**露出設定:** -3.0 ~ 0 ~ + 3.0

**メータリングモード:** 平均メータリング / センターメータリング / スポットメータリング / マトリックスメータリング

**シャープネス:** 高 / 中 / 低

**ビデオ品質:** 高 / 中 / 低

**ISO:** 自動 / 100/200/400/800/1600/3200/6400

ISO は、フィルムまたは画像センサーのいずれかの光感度を指します。ISO は、単に露出を変更するだけでなく、画質にも影響を与えます。ISO が高いほど、通常、「ノイズの多い」または「粒子の粗い」画像になります。



**時間透かし:** オン / オフ

**録音オーディオ:** オン / オフ

**スローモーション録画:** 1080P2X / 720P 4X

**ループレック解像度:** 4K30fps / 2.7K 30fps / 1080p 60fps / 1080p 30fps / 720p 120fps / 720p 60fps / 720p 30fps

**ループビデオの長さ:** 2分 / 3分 / 5分

この機能をオンにすると、設定した時間に録画されたビデオがセグメント化されます。

**タイムラプスレック解像度:** 4k / 2.7k / 1080P / 720P

**録音間隔:** 0.5s / 1s / 2s / 5s / 10s / 30s / 60s /

録画されたビデオは、設定した時間の長さに圧縮されます。たとえば、シーンの画像を1秒に1回キャプチャしてから、30フレーム/秒で再生することができます。これは明らかに30倍の速度向上です。

**ビデオの長さ:** 無制限 / 6s / 8s / 10s / 20s / 30s / 60s / 120s

## 写真の設定

【OK / シャッター】 ボタンを押して確定し

【上 / 下】 ボタンを押して選択し

【電源 / モード】 ボタンを押して戻ります

写真の解像度は次から選べます： 20M / 16M / 13M / 8M

最初の解像度は 20M です

露出設定： -3.0 ~ 0 ~ + 3.0

JP

焦点モード： 平均焦点 / センター焦点 / スポット

焦点 / マトリックス焦点

シャープネス： 高 / 中 / 低

ISO： 自動 / ISO100 / ISO200 / ISO400 / ISO800 / ISO1600 /

ISO3200 / ISO6400

タイムスタンプ： オン / オフ

自動撮影間隔： 3 秒 / 10 秒 / 15 秒 / 20 秒 / 30 秒 /

ホワイトバランス： 自動 / 晴れ / 曇り / 白熱灯 / 蛍光灯

バースト写真の頻度： 3p / s、5p / s、10p / s

【OK / シャッター】 ボタンを 1 回押すと、数枚連続で撮影できます。

タイムラプスカウントダウン： 3s / 5s / 10s / 20s /

【OK / シャッター】 ボタンを 1 回押すと、3/5/10/20 秒で撮影できます。

## 一般設定

画像の回転: オン / オフ

この設定をオンにすると、カメラの画面が上下に反転します。

Wi-Fi: オン / オフ

Wi-Fi 情報: WIFI 名とパスワードを表示

Wi-Fi のリセット: 確認 / キャンセル

光源周波数: 自動 / 50Hz / 60Hz

LED インジケータ: オン / オフ

スクリーンセーバー: オフ / 3 秒 / 1 分 / 2 分

一定時間経過後、カメラに操作がない場合、画面は自動的に真っ暗になります。この時点ではカメラはオフになりません。任意のボタンを押すと画面の表示が復帰します。

自動電源オフ: オフ / 3 分 / 5 分 / 10 分

一定時間を設定した後、カメラが操作されていない場合、カメラは自動的にシャットダウンします。

ボタン音量: オフ / 高 / 中 / 低

ボタンを押す音を調整します。

言語: English/Español//Portugues/Русский/ 简体中文 / 繁体中文 / Deutsch/Italiano/Français/ 日本語 .

時間形式: YY / MM / DD、MM / DD / YY、DD / MM / YY

**タイムセット:** 写真とビデオのタイムスタンプ。

【上 / 下】 ボタンで値を変更し

【OK / シャッター】 ボタンで次の項目に移ります

【モード / 電源】 ボタンで戻ります

**日付セット:**

【上 / 下】 ボタンで値を変更し

【OK / シャッター】 ボタンで次の項目に移ります

【モード / 電源】 ボタンで戻ります

JP

**ヒント:** カメラにはバッテリーが内蔵されていないため、バッテリーを取り外すか、撮影中にバッテリーが無くなると、次回電源を入れたときにカメラの時刻が 2019/01/01 にリセットされます。次の設定で時間をリセットする必要があります。

**フォーマット:** 確認 / キャンセル

カメラのメモリーカードをフォーマットします。この操作が実行されると、メモリーカードの内容が削除されます。初めてカメラでメモリーカードを使用するときには、フォーマットすることをお勧めします。

**デバイス情報:** デバイスモデル、ソフトウェアバージョン、および更新日を表示します

**工場出荷時設定へのリセット:** 確認 / キャンセル

すべてのカメラ設定をデフォルト設定に戻します。

**終了**

【OK / シャッター】 ボタンを押して設定を終了します。

## WiFi /コンピューター/テレビ接続

### Wi-Fi 接続

Wi-Fi に接続

Wi-Fi アプリケーションを使用すると、スマートフォンまたはタブレットでカメラをリモート制御できます。携帯電話でビデオや写真を表示したり、録画をダウンロードしたりできます。接続手順は次のとおりです。

- Google のスマートフォンまたはタブレットに APEMAN（または XDV PRO）アプリをダウンロードします  
Play または AppleAppStore。
- カメラの電源を入れた後、【上】 ボタンを押して Wi-Fi をオンにします。カメラが Wi-Fi 接続を待機している間はカメラ上部のステータスライト（黄色）は点滅しており、Wi-Fi 接続中はライトが点灯しています。
- カメラに表示されている Wi-Fi 名とパスワードを使用して、携帯電話の Wi-Fi リストから Wi-Fi を見つけて接続します。
- Wi-Fi 接続後、スマートフォンまたはタブレットで APEMAN（または XDV PRO）アプリを開くと、カメラが携帯電話で制御することができます。

JP

## ヒント:

- 上ボタンをもう一度押し続けると、Wi-Fi がオフになります。
- カメラは一度に1つのデバイスにのみ接続できます。
- Wi-Fi 接続は少し電力を消費しますので、バッテリー残量が少ないときはWi-Fi 接続を避けてください。

APEMAN アプリは、以下のスマートフォンおよびタブレットと互換性があります。

JP

### Apple iOS の場合

- iPhone (5S 以上), iPad Air & Mini & Pro, iPod touch (IOS9 以上)

### アンドロイド用

- Android 5.0 以上

### 利用可能なアプリ:



## コンピューター接続

付属の microUSB ケーブルを使用してコンピューターに接続する場合、3つの選択があります。充電モード、大容量記憶装置モード、カメラモード。

【上 / 下】ボタンを押してこれら3つのモードを切り替え、【OK / シャッター】ボタンを押して入ります。

**充電モード:** USB ケーブルは充電ケーブルとして使用されます。このモードでも、カメラを使用できます。

**大容量記憶装置モード:** カメラの microSD カードに保存されているファイルに、コンピューターでアクセスしてファイルをコピーまたは表示します。この機能は、microSD カードリーダーでも実現できます。

**カメラモード:** コンピューターでのビデオチャットやビデオ録画の Web カメラとして使用します。Web カメラとして使用する場合は、最初に Adobe FlashPlayer をビデオチャットソフトウェアで実行できるようにする必要があります。

## テレビ接続

HDMI 出力により、このカメラで録画した動画や画像をテレビやプロジェクターなどの大画面に表示できます。

- カメラの電源を切ります。
- カメラとテレビを市販のマイクロ HDMI ケーブル（別売）で接続します。
- カメラの電源を入れ、入力したいデバイスの HDMI 設定をオンにします。

JP

### チップ:

- HDMI 入力デバイスは 1080P に対応する必要があります。
- HDMI を出力すると、カメラのディスプレイには表示されません。HDMI 入力機器には画面が表示されますが、操作はカメラで行います。

## 2.4GHz リモコンによるカメラの操作

リモコンを使用して、写真ボタン（赤）またはビデオボタン（灰色）を押すことで写真を撮影や動画撮影ができます。写真モードでは動画モードに、動画モードでも写真モードに、それぞれ切り替えて撮影ができます。

バッテリーが無くなった場合、ケースの背面にある 4 つの小さなネジを外し、新しい CR2025 セル電池と交換してください



## 製品仕様

モデル	A79
センサー	Sony IMX135
レンズ	170° 広角(調節可能)
スクリーン	2 インチ
解像度	20M/16M/12M/8M
ビデオフォーマット	H.264 ; MP4
写真フォーマット	JPEG
Wi-Fi接続	Android / iOS支持可能(5メートル)
Mirco SDカード	Class 10, FAT 32, 8GB-64GB
EV	自動(-3.0~3.0EV)
端子	Micro USB / Micro HDMI/ DC2.5 マイクロフォン
充電時間	約3.5時間
防水レベル	40M/131.2ft
使用温度	0°C~45°C
バッテリー	充電式 1050mAh / バッテリー
アフターサービス	support.ac.jp@apemans.com

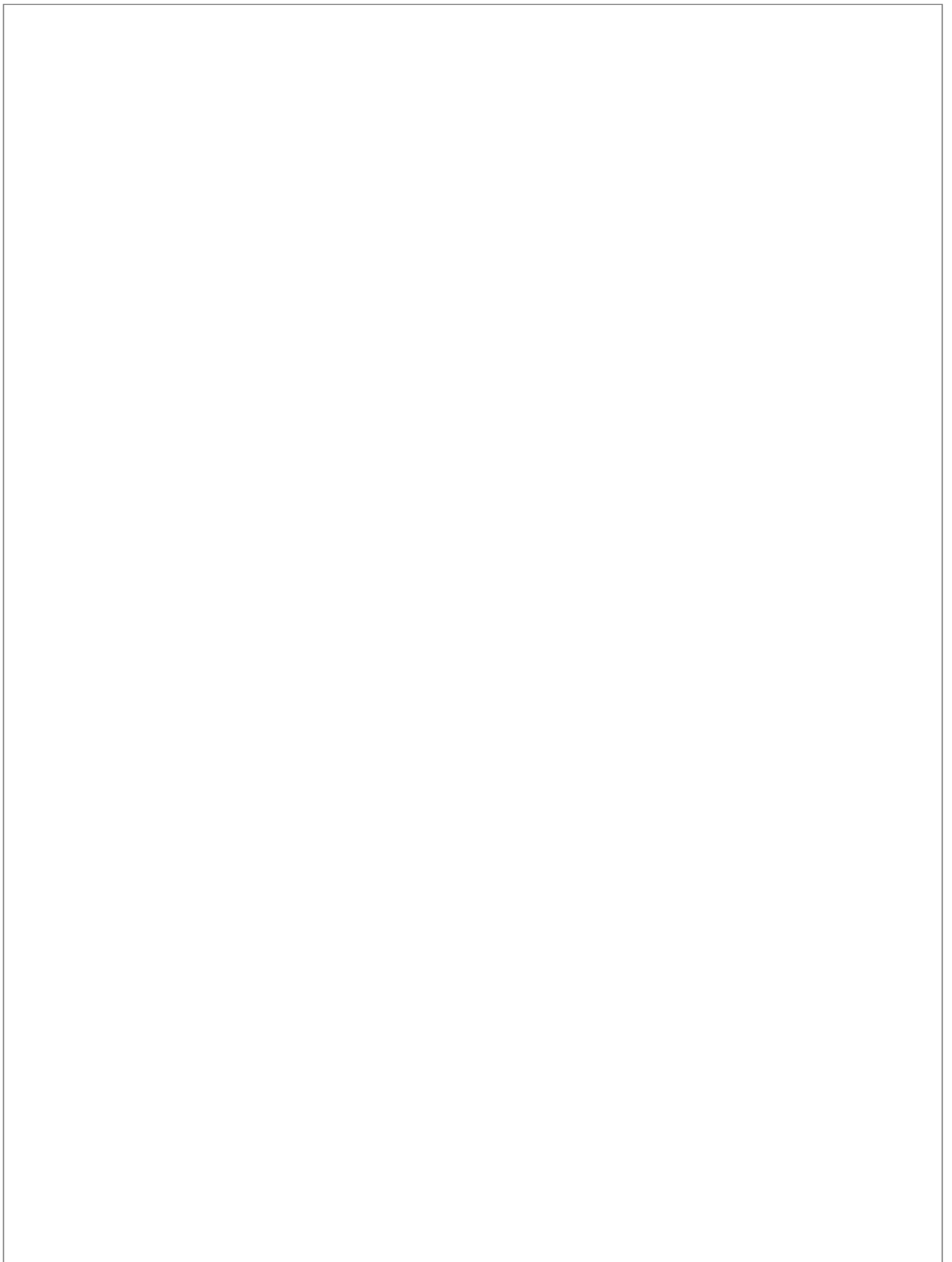
JP

## 保証及びアフターサービス

ご購入後 12 ヶ月のメーカー保証が付いております。  
ご不明な点があるまたは商品に不具合がある場合は、アマゾン購入履歴  
或いは APEMAN カスタマーサービスより弊社までご連絡ください。  
弊社にご連絡いただければ、必ずお客様が満足するまで解決すると最  
善を尽くします。APEMAN は、カスタマーに対し、最高水準のカスタ  
マーサービスを提供することをお約束いたします。

JP

Complaint Mailbox: support.ac@apemans.com  
US/CA support.ac.us@apemans.com  
JP support.ac.jp@apemans.com  
UK support.ac.uk@apemans.com  
DE support.ac.de@apemans.com  
FR support.ac.fr@apemans.com  
IT support.ac.it@apemans.com  
ES support.ac.es@apemans.com





Made in China

Version 1.0