

Wall Mount Fibre Management System High Density Direct Splicing/ Cross connection (Patching & Splicing)

STL Fibre Management System (FMS) shelf series is ideal for high density front patching applications. Its compact design and high density capacity allows it to deliver carrier class fibre management to central offices, POPs, FTTx, mobile systems and LANs.

Features

- Splicing to factory terminated pigtailed
- Provision for cable anchoring
- Easy Access to splice tray
- Multiple connector options. Easy inter-changeability
- Cable entry from rear side. Radius controlled cable routing
- Draw out or swing out tray options
- Front Access to cable connectors
- Screen printed panels for easy identification
- Colour - RAL 7035

Applications

- Splicing to factory terminated pigtailed
- FTTH Deployments
- PTP Networks
- Optical CATV Networks
- Local Area Networks

Product Specification – Splice & Patch

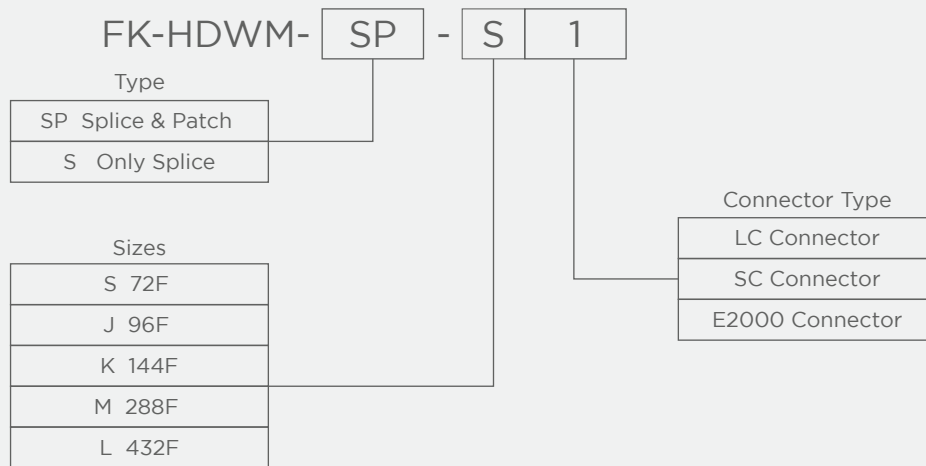
Description	Capacity (fibre count)	Dimensions (mm)			Max. Capacity Connectors		No. of Splice Trays
		H	W	D	Std (SC/E2000)	SFF (LC)	
FK-HDWM-SP-S	72F	470	420	305	36	72	3
FK-HDWM-SP-J	96F				48	96	4
FK-HDWM-SP-K	144F				72	144	6
FK-HDWM-SP-M	288F	650	450	305	144	288	12
FK-HDWM-SP-L	432F	920	420	305	216	432	18

* Multiple option for Splice tray available on request

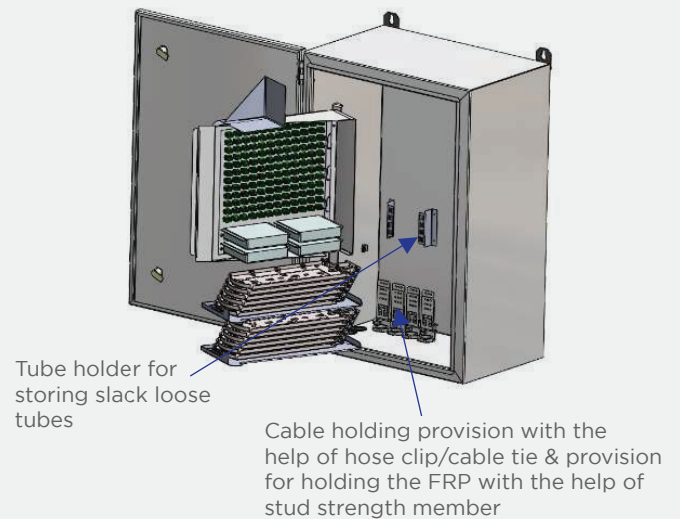
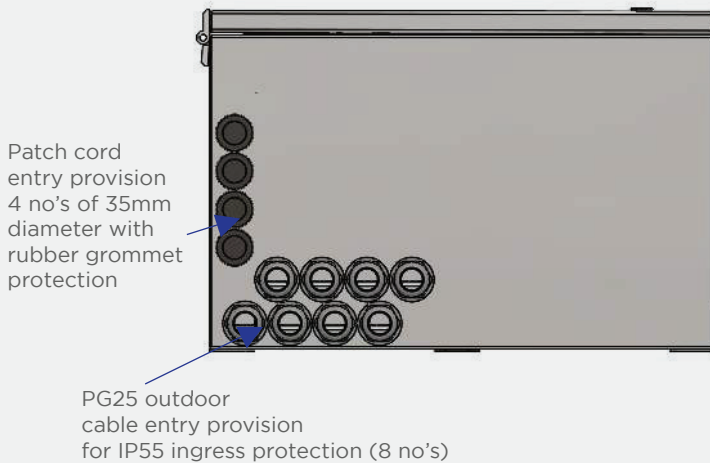
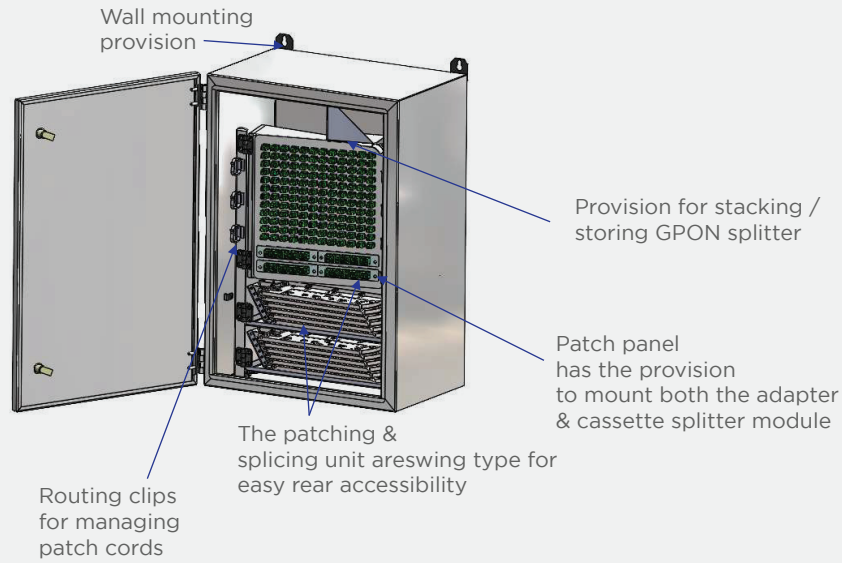
Product Specification – Only Splice

Description	Capacity (fibre count)	Dimensions (mm)			No. of Splice Trays
		W	H	D	
FK-HDWM-S-S	144F	300	450	305	6
FK-HDWM-S-J	288F	400	450	305	12
FK-HDWM-S-L	432F	400	450	305	18

Ordering Information (Splice & Patch)



Highlighted Product Specification



PG Gland Size & Cable Entry Ports

Type of WM (capacity)	Total No. of cable entry*		No of port for patch Cord Entry**
	No of cable entry	PG Gland type	
72F	3	PG13	2 (25mm)
96F	3	PG13	3 (25mm)
144F	4	PG25	4 (35mm)
288F	6	PG25	4 (35mm)
432F	8	PG25	4 (35mm)

*Cable entry port can be customized as per requirement

** Applicable only for splice and Patch option

02/082023

The information given herein, including drawings, illustrations and schematics are intended for illustration purposes only and is believed to be reliable. However, Sterlite Technologies makes no warranties to its accuracy or completeness and disclaims any liability in connection with its use. Sterlite Technologies obligations shall be only set forth in Sterlite Technologies standard terms and conditions of the sale and in no case, Sterlite Technologies be liable for any incidental, indirect or consequential damages arising out of sale, resale, use or misuse of the product.

Users of Sterlite Technologies products should make their own evaluation to determine the suitability of such each product for the specific application.