


STL WALL RACKS


600x300, 600x450, 600x500, 600x600,
600x800



IP20 Safety class rating IP20

 Available in heights
from 7U up to 20U

KG Load capacity 100 kg

 Lockable safety-glass door

Product features

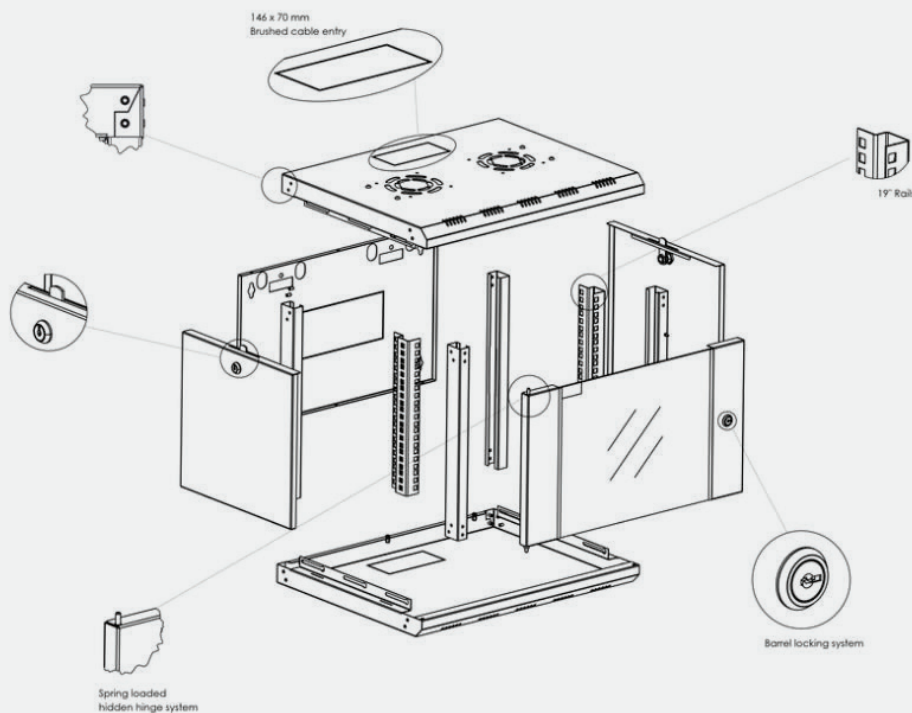
- Safety class rating IP20
- Available in 7U upto 20U heights
- Load capacity 100 kg
- Mono-block welded top and bottom cases
- Powder painted in RAL 7035 or RAL 9005
- Metal extruded glass door frame
- 4mm impact resistant smoked glass
- 3 grounding points (bottom, side panel and front door)
- Side panels: 2x sliding lock and key lock and easily detachable
- Swing handle lock fitted to glass front door and solid metal rear door
- Full height front and rear adjustable, galvanized steel 19" profiles
- 19" profiles marked with U height position
- Large cut out in base and roof for cable entry is prepared for fan units (punched out entries)

Product overview

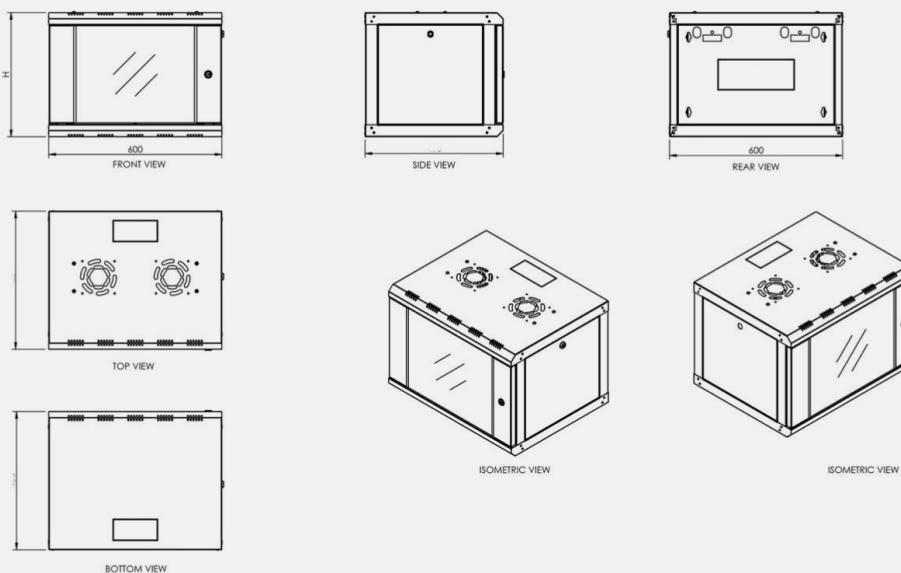
STL wall mounted rack cabinets are designed to provide superior performance on cabling and networking infrastructure. These racks are available in 7U, 9U, 12U, 16U and 20U heights with 600x300mm, 600x450mm, 600x500mm and 600x600mm dimensions.

The side sections of the rack are detachable, hence making wall installation easy and fast. These racks come with lockable safety-glass door, 210° door opening angle and 1-point locking mechanism for maximum safety. Inside cabinet, 19" galvanized profile rails mounted on the front side and 600mm depth cabinets have 19" profile rails both on the front and rear side. There are pre-punched cable entries 70mmx146mm on top & bottom and 100mmx250mm on rear chassis. Top case has a ready forced ventilation (fan module) integration area. This area with pre-punched slots provides passive heat removal function via convection.

Isometric drawing



Technical drawing



Characteristics

Physical Characteristics	Description
Material	Steel Sheet DKP
Width	600mm
Height	Available in heights from 7U up to 20U
Depth	300, 450, 500, 600, 800mm
Color Options	RAL9005 Black or RAL7035 Light Grey
Mounting Rail	2 Pcs.
Material Thickness	Mounting profile 1.2mm Angle 1.2mm Other 0.8mm

Part no. Configurators

SW	60	30	07	BK	01	A
Family	Width	Depth	Height	Color	Front Door	Packing
SW - Wallmount	60 - 600mm	30 - 300mm	07 - 7U	BK - Black	01 - Hinged Glass Single Opening	A - Assembled
		45- 450mm	09 - 9U	LG - Light Grey		
		50 - 500mm	12 - 12U			
		60 - 600mm	16 - 16U			
		80 - 800mm	20 - 20U			

08/082023

The information given herein, including drawings, illustrations and schematics are intended for illustration purposes only and is believed to be reliable. However, Sterlite Technologies makes no warranties to its accuracy or completeness and disclaims any liability in connection with its use. Sterlite Technologies obligations shall be only set forth in Sterlite Technologies standard terms and conditions of the sale and in no case, Sterlite Technologies be liable for any incidental, indirect or consequential damages arising out of sale, resale, use or misuse of the product.

Users of Sterlite Technologies products should make their own evaluation to determine the suitability of such each product for the specific application.