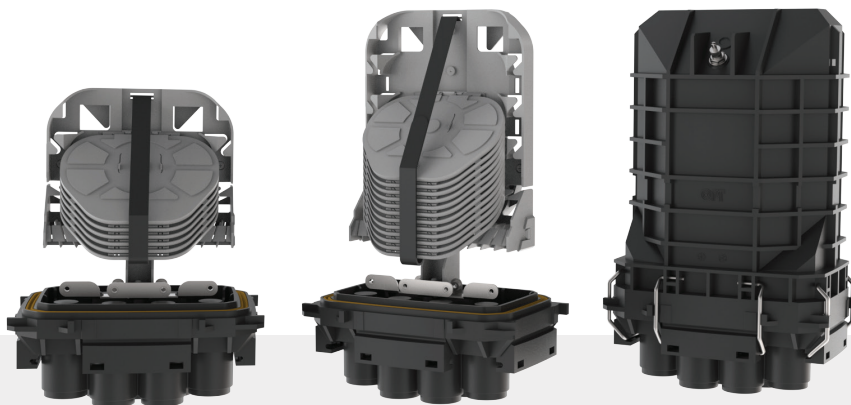


optotec MAX

Closures



Optotec MAX closures are particularly developed for FTTH network deployment.

The MAX closures range is a new, modern concept of cable termination and splicing intended to expedite installation procedures and minimize volume needs. (MAX4 or MAX6 Liters volumes)

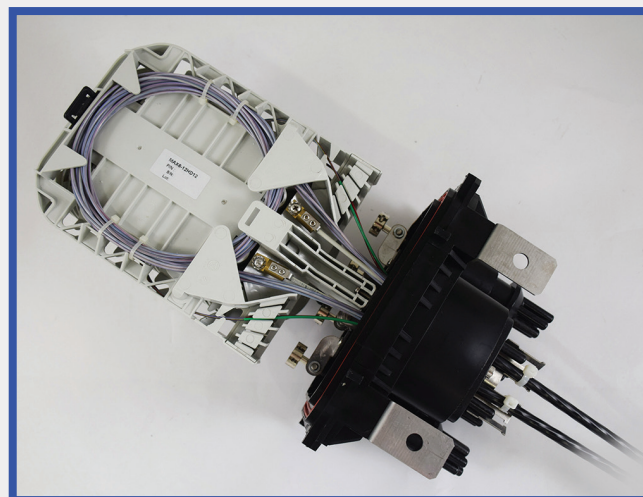
MAX is an environmentally sealed single-ended “dome-type” closure for fiber management systems that provides the functions of splicing and passive component integration in plants outside. They are intended for micro-sheath, ribbon (IBR), dielectric cables and have provisions for all common cable diameters.

The base and dome are sealed by a quad-lock clamp-gasket system. MAX project is naturally compliant with FTTH requirements and overpressure safety requests.

One oval entry port for looped (uncut) cable and four round ports for drop cable entry/exit are provided in the base.

The cable entries are for cold application kits (no flame needed, small diameter cables accepted).

Uncut midspan tube storage space is available on the back of the stack.



APPLICATIONS

- FTTH networks
- Aerial, pedestal, underground environments

TECHNICAL FEATURES

- All G652 and G657 fibers compatible
- Cost effective closure for up to 144 (MAX4) or 288 (MAX6)
- Suitable for heat-shrinkable (SMOUV) or mechanical (ANT) splice protector
- Oval port cable entry 20-5mm - Round port drop cable entry 20-2.5mm
- One oval port and 4 round ports, cold application kits only
- Positive fiber management - min. 30 bend radius respected - uncut fiber cable management
- Cold application kits only
- High reliability - IP68 and IK10
- Latch closing system - friendly use - easy to install
- Operating temperature -40°C up to +70°C
- ROHS and ECO friendly

MAX - ORDERING INFORMATION

MAX	4	BASIC	NN
SERIES NAME	VOLUME IN LITERS	CONFIGURATION	TYPE
MAX	4	BASIC (Customized version available)	NN = with valve
	6		NV = without valve

SPLICE CAPACITY MAX

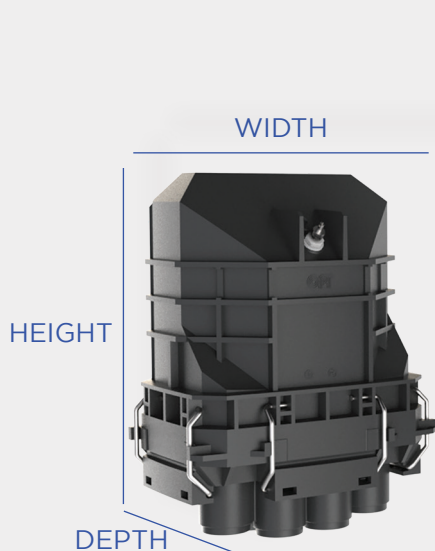
It is possible to install our SAMR-HD, high density splice array modules in every max closure. Choose your SAMR-HD splice module.

MAX4

UP TO 2 SAMR SPLICE REDUCED MODULES

MAX6

UP TO 4 SAMR SPLICE REDUCED MODULES



HEIGHT 240 mm
WIDTH 210 mm
DEPTH 145 mm



HEIGHT 312 mm
WIDTH 210 mm
DEPTH 145 mm

PACKAGING

PRODUCT NAME	PACKAGING TYPE	DIMENSIONS (MM)			GROSS WEIGHT (KG.)
		WIDTH	DEPTH	HEIGHT	
MAX4-X-XXX-XXX	Carton Box	252	151	353	3.5
MAX6-X-XXX-XXX	Carton Box	252	151	353	4.5

The information given herein, including the drawings, illustrations and schematics are intended for illustration purposes only and is believed reliable. However, STL makes no warranties to its accuracy or completeness and disclaims any liability in connection with its use. The obligations of STL shall be only set forth in STL's standard terms and conditions of sale and in no case shall STL be liable for any incidental, indirect or consequential damages arising from the sale, resale, use or misuse of the product.

Users of STL products should make their own evaluation to determine the suitability of each product for the specific application.

MAX SMALL CLOSURES, BIG HEART

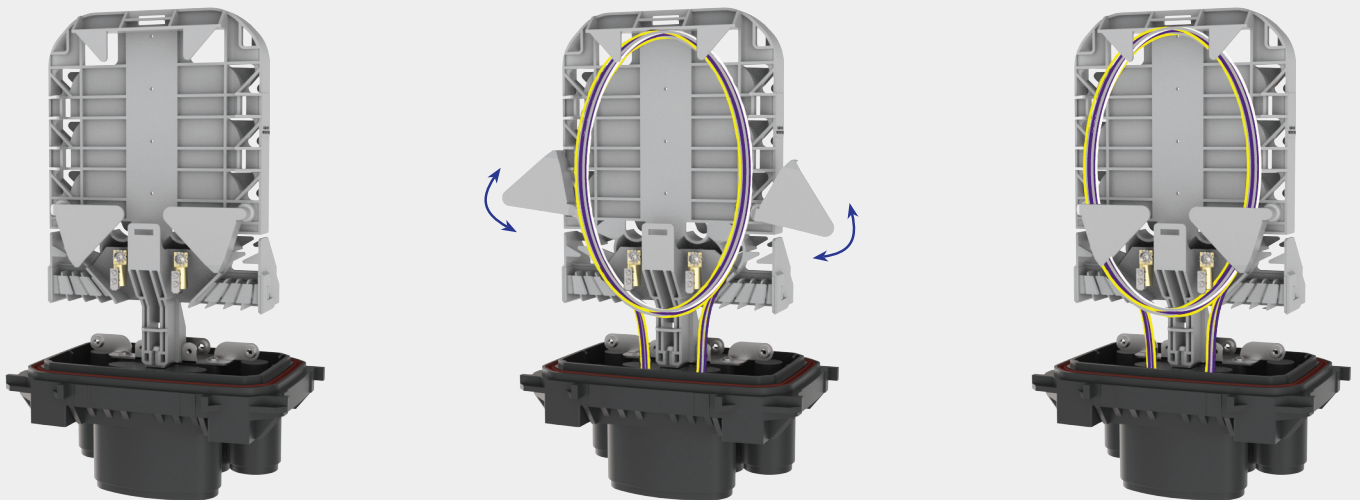
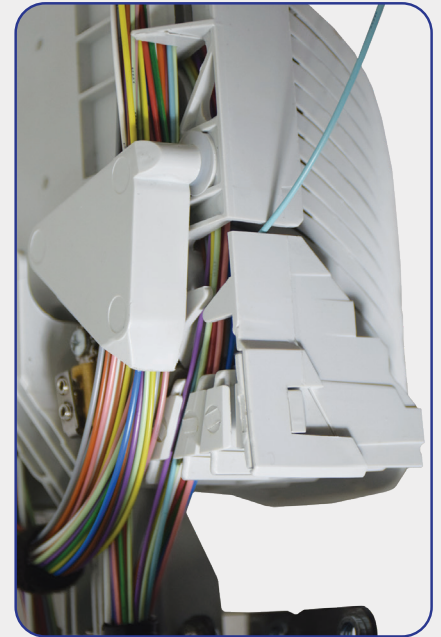
Everything you need is inside MAX closures!

Our developments consider the suggestions given by installers. They are always concerned about midspan cable module storage.

The key requested factors are Protection, Easy-to-Use, Easy-to-Maintain. Troubles with those modules lead to hours lost in disaster recovery operations.

Optotec seriously considered queries from the field that led our technicians to patent a new reliable, compact, fast method for storing pass-through cable modules.

With the MAX closures system, the cable looping passes from “troubling” to “satisfying”.



STORAGE	LT 2.3mm MODULES	NG MICROLITE 1.65mm MODULES	YOGALITE 1.3mm MODULES
MAX 4	4x (200cm)	8x (200cm)	24x (200cm)
MAX 6	6x (220cm)	8x (250cm)	24x (250cm)

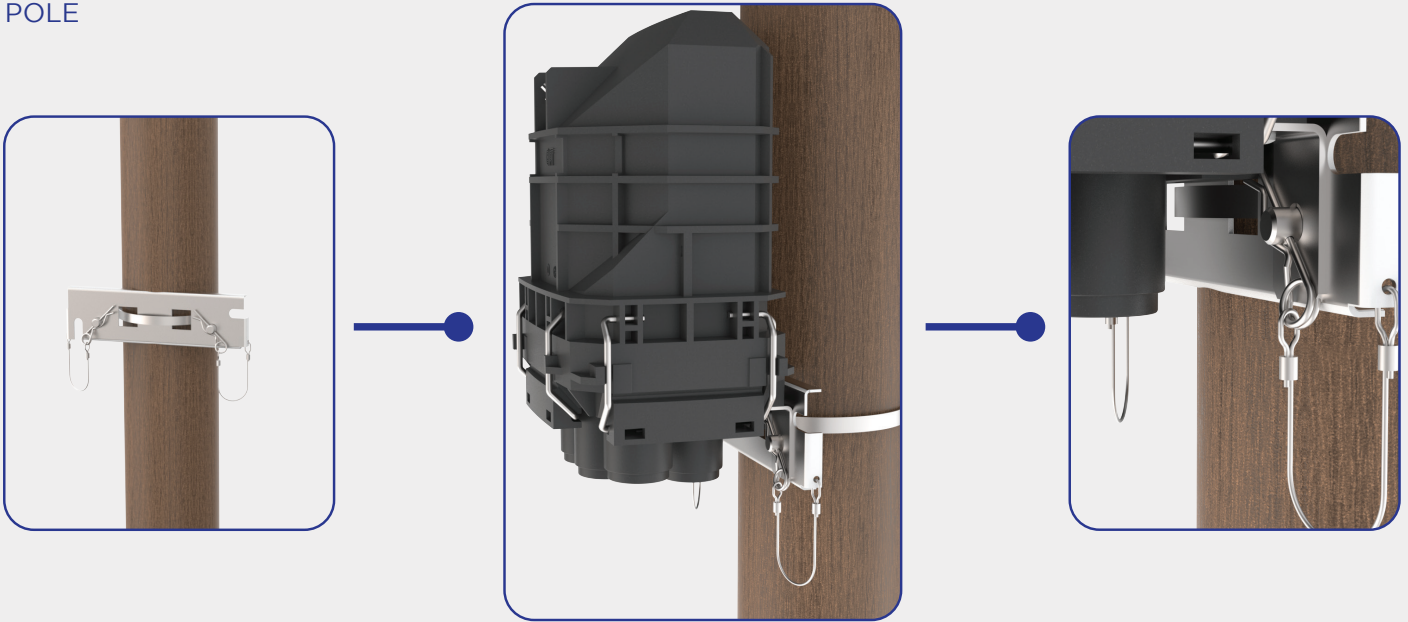
The information given herein, including the drawings, illustrations and schematics are intended for illustration purposes only and is believed reliable. However, STL makes no warranties to its accuracy or completeness and disclaims any liability in connection with its use. The obligations of STL shall be only set forth in STL's standard terms and conditions of sale and in no case shall STL be liable for any incidental, indirect or consequential damages arising from the sale, resale, use or misuse of the product.

Users of STL products should make their own evaluation to determine the suitability of each product for the specific application.

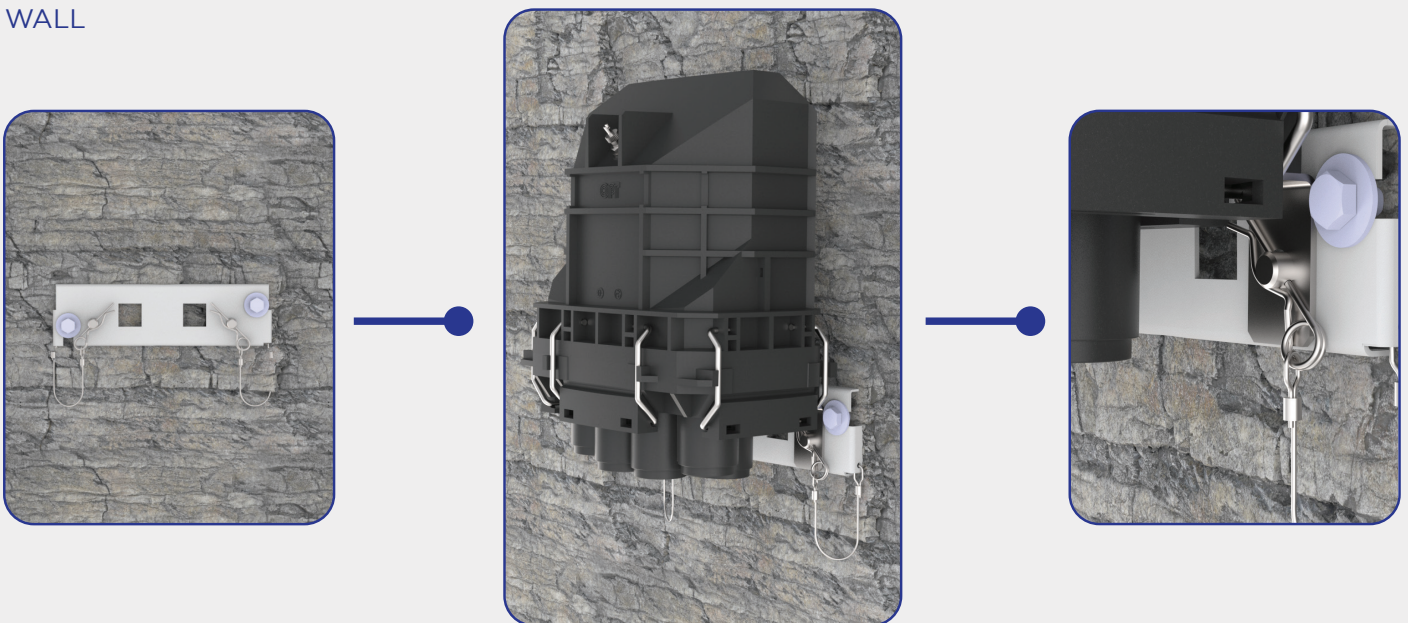
MAXKIT FOR FIXING CLOSURES

Optotec has developed a new way to secure closures to walls and to poles in order to make installation and maintenance an easy job. A compact bracket is permanently fixed to the wall (by anchoring clamps) or to the pole (by metal band wrap, available but not included in the standard kit). The closure is mounted on the bracket through two secured split pins. This installation method guarantees the sound fixing of the closure in any environmental and mechanical condition and allows fast removal from the wall or pole during maintenance and upgrading operations.

POLE



WALL



The information given herein, including the drawings, illustrations and schematics are intended for illustration purposes only and is believed reliable. However, STL makes no warranties to its accuracy or completeness and disclaims any liability in connection with its use. The obligations of STL shall be only set forth in STL's standard terms and conditions of sale and in no case shall STL be liable for any incidental, indirect or consequential damages arising from the sale, resale, use or misuse of the product.

Users of STL products should make their own evaluation to determine the suitability of each product for the specific application.

Max cold sealing

CCSO-CCSR

MAXKIT

KIT CODE AND PICTURE	SEALING TYPE	CABLE MANAGEMENT CAPACITY	
		MAX CABLE NO.	CABLE Ø RANGE MIN-MAX
MAXSEALKIT-CCSO-2x20 	OVAL COLD SEALING	2	10-20 mm
MAXSEALKIT-CCSO-2x14 	OVAL COLD SEALING	2	10-14 mm
MAXSEALKIT-CCSO-4x10 	OVAL COLD SEALING	4	5-10 mm
MAXSEALKIT-CCSR-1x20 	ROUND COLD SEALING	1	15-20 mm
MAXSEALKIT-CCSR-1x14 	ROUND COLD SEALING	1	10-14 mm
MAXSEALKIT-CCSR-2x12 	ROUND COLD SEALING	2	8-12 mm
MAXSEALKIT-CCSR-4x10 	ROUND COLD SEALING	4	7-10 mm
MAXSEALKIT-CCSR-6x8 	ROUND COLD SEALING	6	7-8.6 mm
MAXSEALKIT-CCSR-8x6 	ROUND COLD SEALING	8	4-6.4 mm
MAXSEALKIT-CCSR-16x3 	ROUND COLD SEALING	16	0-3 mm
MAXSEALKIT-CCSR-4xR95 	ROUND COLD SEALING	4	FLAT CABLES 8.5-7 mm 5-4 mm

The information given herein, including the drawings, illustrations and schematics are intended for illustration purposes only and is believed reliable. However, STL makes no warranties to its accuracy or completeness and disclaims any liability in connection with its use. The obligations of STL shall be only set forth in STL's standard terms and conditions of sale and in no case shall STL be liable for any incidental, indirect or consequential damages arising from the sale, resale, use or misuse of the product.

Users of STL products should make their own evaluation to determine the suitability of each product for the specific application.