

Fibre Management System

STL's Fibre Management System (FMS) is multi-purpose front patching and splicing shelf in a rack environment. Its compact design and high density capacity allows it to deliver carrier class fibre management to central offices, POPs, FTTx, mobile systems and LANs.

Features

- 19" size suitable for any equipment rack and also compatible with ETSI frames
- Multiple mounting bracket option available
- FOSC tray concept ensures bend radius protection
- Front and top access for ease of installation and maintenance
- Multiple connector options. Easy inter-changeability
- Multiple Cable entry option i.e. side and rear entry available
- Draw out or swing out tray options
- Screen printed panels for easy identification
- Colours: RAL 7035 / Black

Product Specification

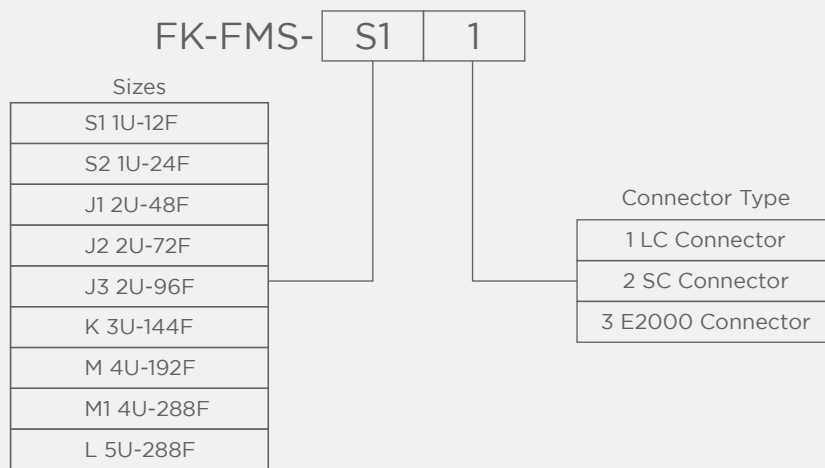
Optical Parameters	
Insertion loss (dB)	Insertion loss (dB)
Return Loss (dB)	> 60(APC), > 50(UPC), > 45(PC)

Dimension (mm), Capacity

Description	Dimensions				Max. Capacity Connectors		No of Splice Trays
	RU Size	H	W	D	Std (SC/E2000)	SFF (LC)	
FK-FMS-S	1U	44	482	300	24	24	2
FK-FMS-J	2U	88	482	300	48	96	2/4
FK-FMS-K	3U	132	482	300	72	144	3/6
FK-FMS-M	4U	176	482	300	96	288	4/12
FK-FMS-L	5U	220	482	300	120	288	5/12

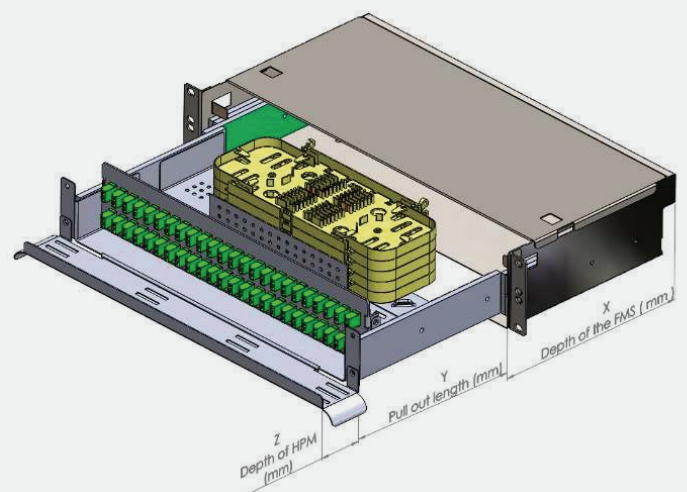
*Depth of FMS is including Cable manager

Ordering Information

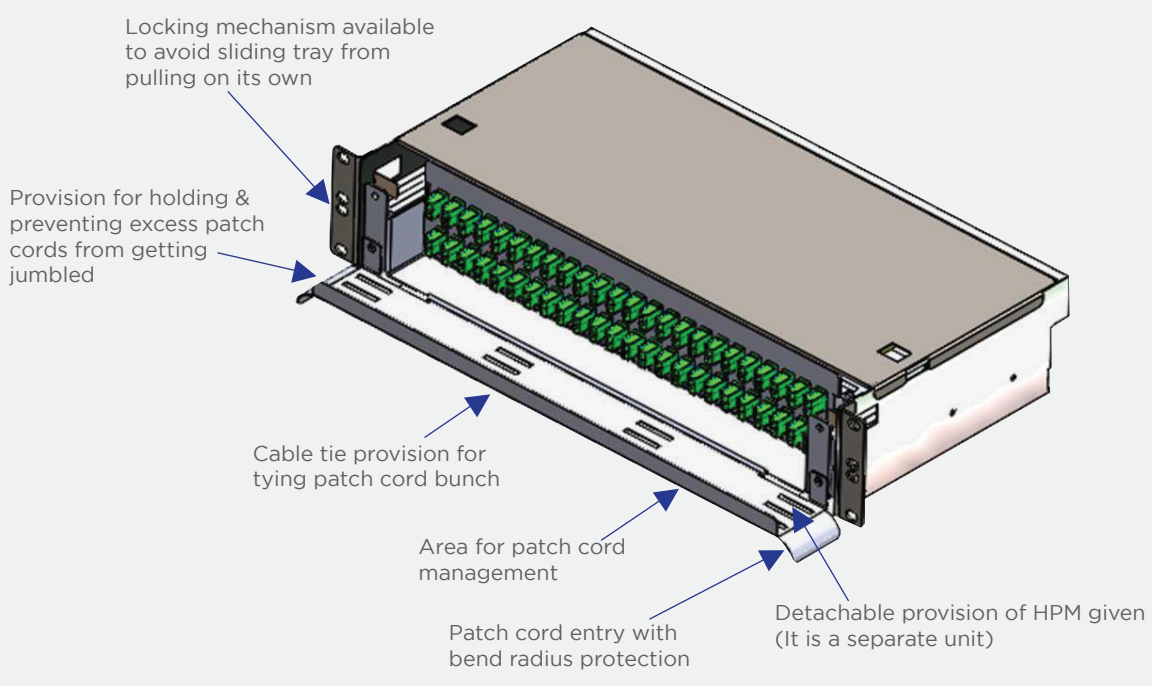
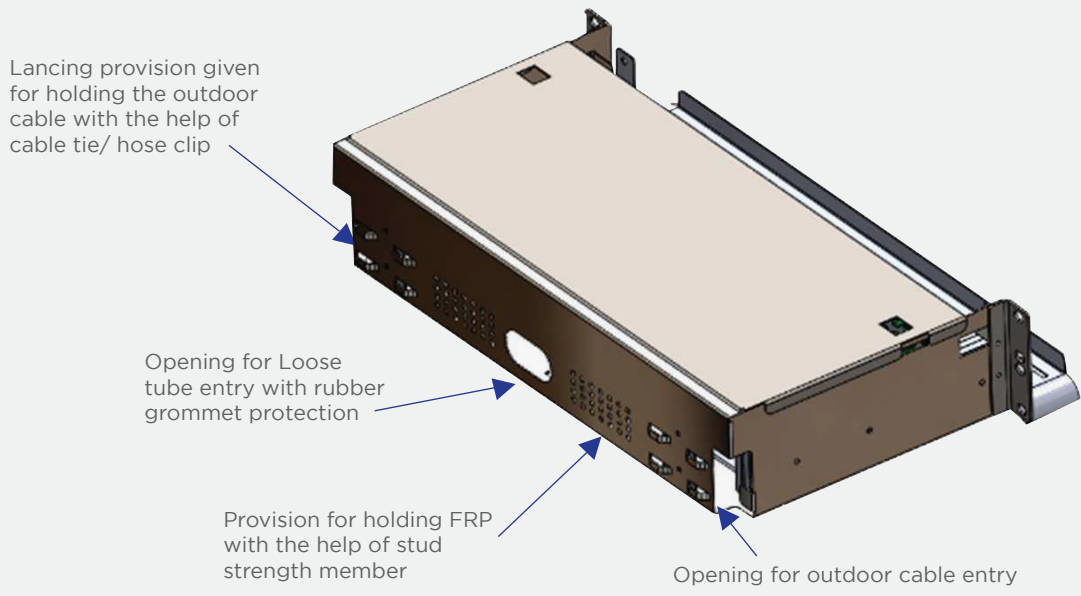


Drawing / Dimension

FMS size	X	Y	Z
1U	230	85	70
2U	230	85	70
3U	230	85	70
4U	230	85	70
5U	230	85	70



Product Features



02/082023

The information given herein, including drawings, illustrations and schematics are intended for illustration purposes only and is believed to be reliable. However, Sterlite Technologies makes no warranties to its accuracy or completeness and disclaims any liability in connection with its use. Sterlite Technologies obligations shall be only set forth in Sterlite Technologies standard terms and conditions of the sale and in no case, Sterlite Technologies be liable for any incidental, indirect or consequential damages arising out of sale, resale, use or misuse of the product.

Users of Sterlite Technologies products should make their own evaluation to determine the suitability of such each product for the specific application.