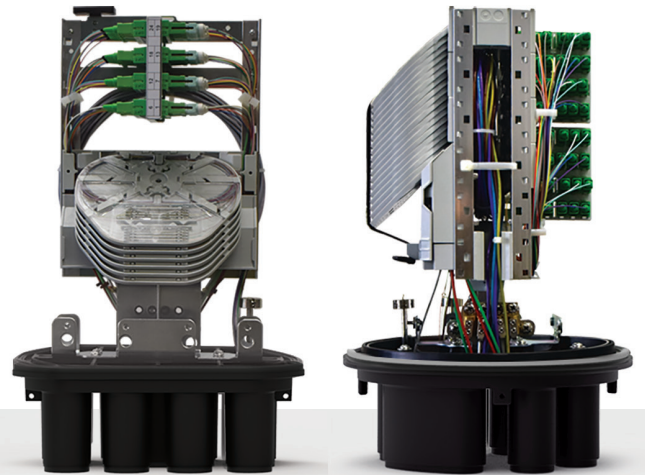




# optotec

## CDOC2 - DOC2

### Fiber Splice & Patch Closures



The Fiber Splice and Patch closure product family provides a simple and cost-effective solution for the construction of subscriber networks, both in the case of pole and underground design.

Due to their small size and compact design, they provide versatile use, whether it is the installation of optical splitters or the direct connection of subscribers. Our Demarcation Closures product portfolio is adapted to the subscriber's needs, providing a good solution for the creation of the concatenated splice and plug-in subscriber connection.

Compact size results in an aesthetic appearance and minimal space requirements for pole and congested manholes placement, while sealing (IP68) and careful design ensure the long life of the network. They share all the accessories with standard ODC2/CODC2 splice closures, minimizing the inventory needs and maximizing the user-friendly operations in the installers operations. All Optotec's closures have an RFID system and QR code installation instructions.

#### APPLICATIONS

- Butt-end closures for subscriber connections
- Underground and overhead
- Underground networks: inside handholes/manholes
- Aerial networks: on pole

#### KEY FEATURES AND BENEFITS

- High quality thermoplastic material - watertight
- BASE and DOME (IP68, IEC 529) with clamp and O-ring closing system
- Management of various types and diameters of tube cables, slotted core
- Equipped with a clamp system to seal the BASE to the DOME
- Dedicated area to midspan cable modules (loop cable)
- Internal STACK can be configurable with SAMX HD modules according to the splice capacity needs
- Clear demarcation between splicing and patching
- Customized configuration available upon request

#### INSTALLATIONS

- Handholes, manholes and chambers
- Poles



# COMPONENTS AND CONFIGURATIONS

## CDOC2 AA - Compact Demarcation Optical Closure

### DIMENSIONS

DOME A  
 HEIGHT 380 mm  
 WIDTH 240 mm  
 DEPTH 138 mm

### Clamp

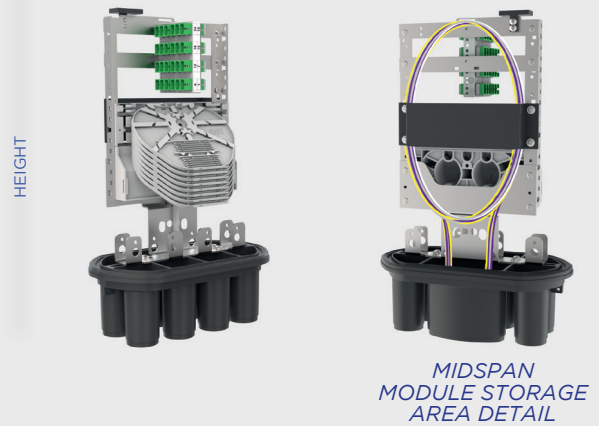


DIMENSIONS  
 WIDTH 287 mm  
 DEPTH 155 mm



### CONFIGURATIONS: Patch & Splice

UP TO 96 FIBRES SPLICE CAPACITY WITH HD6-12H MODULES AND UP TO 24 SC ADAPTERS



### ORDERING INFORMATION

CONFIGURATION	ADAPTERS TYPE AND NO.	TRAYS	SPLITTERS
CDOC2-AA-S2-24-24-00	Up to 24 SC/apc	2x 12fo input splice to pigtails 2x 12fo output splice to pigtails 4x 12fo for branching or storage purpose	NO
CDOC2-AA-S2-24-24-6N4	Up to 24 SC/apc	3x splitters holding 1x splitters input to feeder cable 2x spare for storage/branching with splitters outputs terminated by field installable connectors	Up to 6x (n:4)
CDOC2-AA-S2-24-24-3N8	Up to 24 SC/apc	3x splitters holding 1x splitters input to feeder cable 2x spare for storage/branching with splitters outputs terminated by field installable connectors	Up to 3x (n:8)
CDOC2-AA-L2-16-32-00	Up to 32 LC/apc	4x 8fo input splice to pigtails 4x 8fo output splice to pigtails 2x 12fo for branching or storage	NO
CDOC2-AA-L2-16-32-8N4	Up to 32 LC/apc	4x splitters holding 1x splitters input to feeder cable 1x spare for storage/branching with splitters outputs terminated by field installable connectors	Up to 8x (n:4)
CDOC2-AA-L2-16-32-4N8	Up to 32 LC/apc	4x splitters holding 1x splitters input to feeder cable 1x spare for storage/branching with splitters outputs terminated by field installable connectors	Up to 8x (n:8)

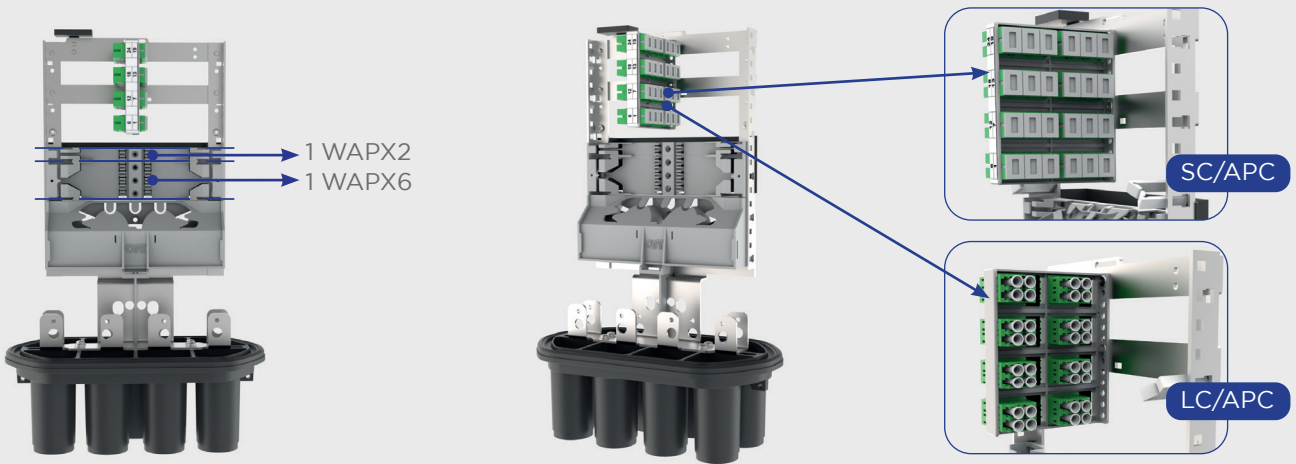
### PACKAGING

PRODUCT NAME	PACKAGING TYPE	DIMENSIONS (MM)			GROSS WEIGHT (KG.)
		WIDTH	DEPTH	HEIGHT	
CDOC2-AA	Carton Box	300	170	400	~2.5

The information given herein, including drawings, illustrations and schematics are intended for illustration purposes only and is believed to be reliable. However, STL makes no warranties to its accuracy or completeness and disclaims any liability in connection with its use. STL obligations shall be only set forth in STL standard terms and conditions of the sale and in no case, STL be liable for any incidental, indirect or consequential damages arising out of sale, resale, use or misuse of the product.

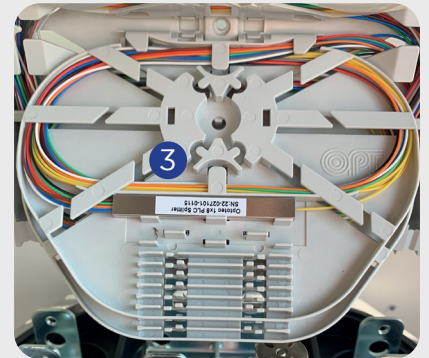
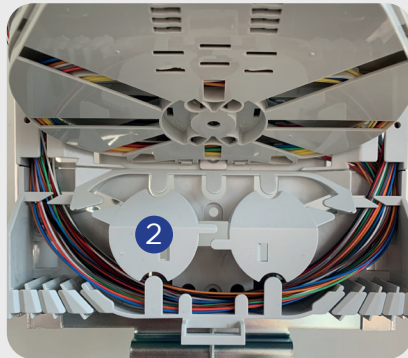
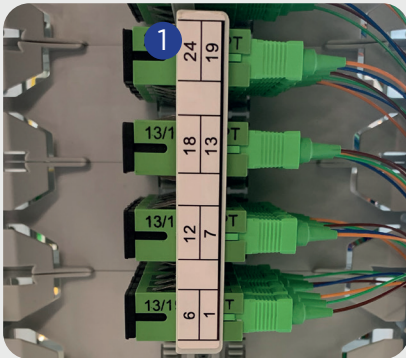
Users of STL products should make their own evaluation to determine the suitability of such each product for the specific application.

## CONFIGURATION WITH WAPX AND ADAPTERS

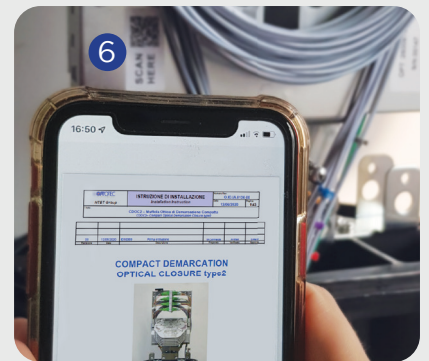
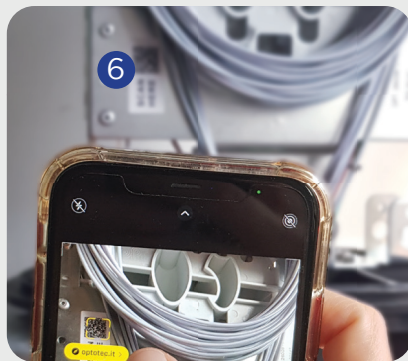
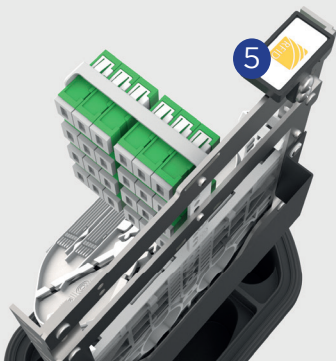


## INSTALLATION FRIENDLY FEATURES

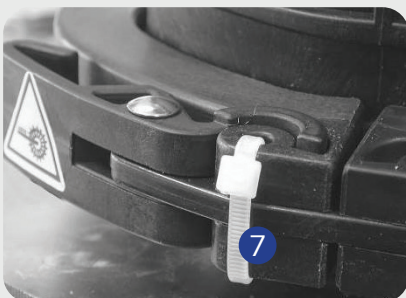
- 1 Numbered patch panel for easy to select connections
- 2 Wide routing area for fibers and pigtails
- 3 N:4 and N:8 splitters trays for PLC on-demand installation



- 5 RFID NFC tag for data storage, readable even when the closure is closed. Write/read with free apps available on iOS and Android
- 6 Impossible to lose QR code installation instructions upgradable remotely, eco-friendly



- 7 Lockable clamp for more security in the field



The information given herein, including drawings, illustrations and schematics are intended for illustration purposes only and is believed to be reliable. However, STL makes no warranties to its accuracy or completeness and disclaims any liability in connection with its use. STL obligations shall be only set forth in STL standard terms and conditions of the sale and in no case, STL be liable for any incidental, indirect or consequential damages arising out of sale, resale, use or misuse of the product.

Users of STL products should make their own evaluation to determine the suitability of such each product for the specific application.

# COMPONENTS AND CONFIGURATIONS

## DOC2 - AA Demarcation Optical Closure Size A

### DIMENSIONS

DOME A  
Height 390 mm  
Ø 247 mm

### Clamp



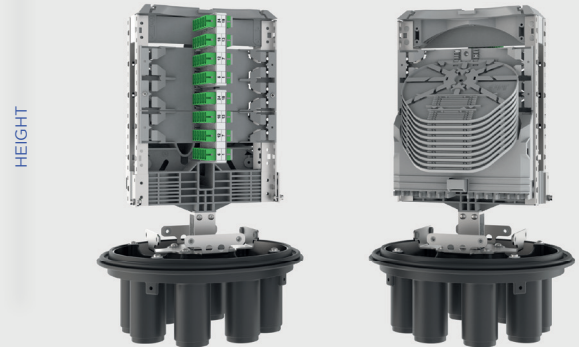
### DIMENSIONS

Ø 285 mm



### CONFIGURATIONS: Patch & Splice

UP TO 216 FIBRES SPLICE CAPACITY WITH HD6-12H MODULES AND UP TO 48 SC ADAPTERS



## ORDERING INFORMATION

CONFIGURATION	ADAPTERS TYPE AND NO.	TRAYS	SPLITTERS
DOC2-AA-S2-48-48-00	Up to 48 SC/apc	4x 12fo input splice to pigtails 4x 12fo output splice to pigtails 12x 12fo for branching or storage purpose	NO
DOC2-AA-S2-48-48-6N4	Up to 48 SC/apc	6x splitters holding 1x splitters input to feeder cable 6x spare for storage/branching with splitters outputs terminated by field installable connectors or 2x spare for storage/branching and 4x 12fo output splice to pigtails	Up to 12x (n:4)
DOC2-AA-S2-48-48-3N8	Up to 48 SC/apc	6x splitters holding 1x splitters input to feeder cable 6x spare for storage/branching with splitters outputs terminated by field installable connectors or 2x spare for storage/branching and 4x 12fo output splice to pigtails	Up to 6x (n:8)
DOC2-AA-L2-32-64-00	Up to 64 LC/apc	8x 8fo input splice to pigtails 8x 8fo output splice to pigtails 2x 12fo for branching or storage purpose	NO
DOC2-AA-L2-32-64-8N4	Up to 64 LC/apc	4x splitters holding 1x splitters input to feeder cable 11x spare for storage/branching with splitters outputs terminated by field installable connectors or 3x spare for storage/branching and 8x 8fo output splice to pigtails	Up to 8x (n:4)
DOC2-AA-L2-32-64-4N8	Up to 64 LC/apc	4x splitters holding 1x splitters input to feeder cable 11x spare for storage/branching with splitters outputs terminated by field installable connectors or 3x spare for storage/branching and 8x 8fo output splice to pigtails	Up to 8x (n:8)

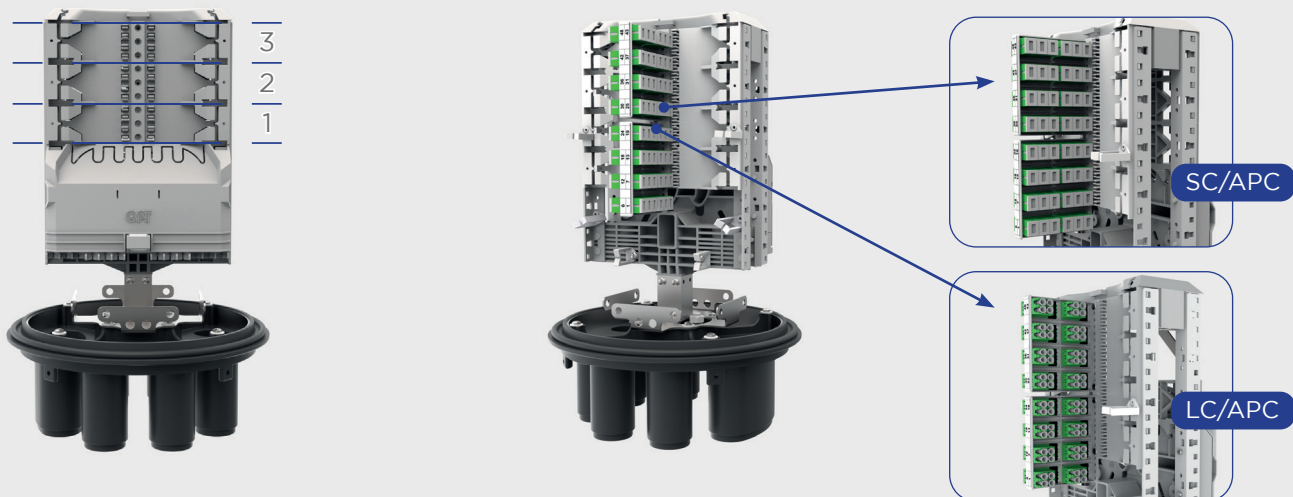
## PACKAGING

PRODUCT NAME	PACKAGING TYPE	DIMENSIONS (MM)			GROSS WEIGHT (KG.)
		WIDTH	DEPTH	HEIGHT	
DOC2 AA	Carton Box	300	300	500	~4

The information given herein, including drawings, illustrations and schematics are intended for illustration purposes only and is believed to be reliable. However, STL makes no warranties to its accuracy or completeness and disclaims any liability in connection with its use. STL obligations shall be only set forth in STL standard terms and conditions of the sale and in no case, STL be liable for any incidental, indirect or consequential damages arising out of sale, resale, use or misuse of the product.

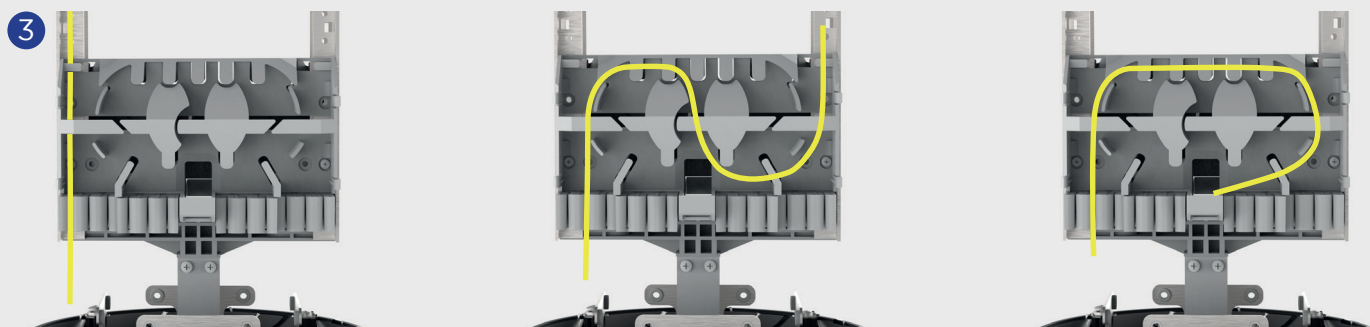
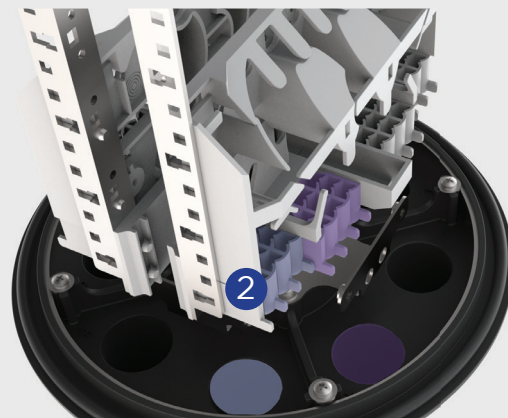
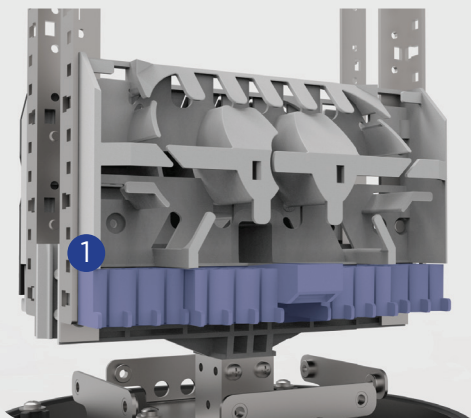
Users of STL products should make their own evaluation to determine the suitability of such each product for the specific application.

## CONFIGURATION WITH WAPX AND ADAPTERS



## INSTALLATION FRIENDLY FEATURES

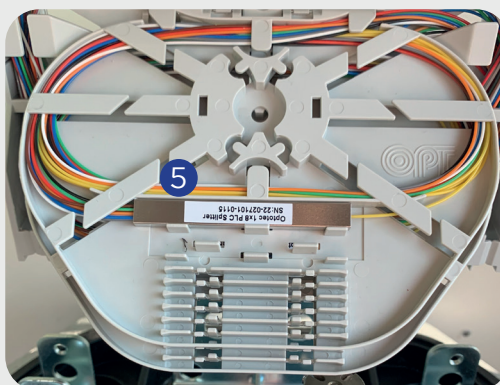
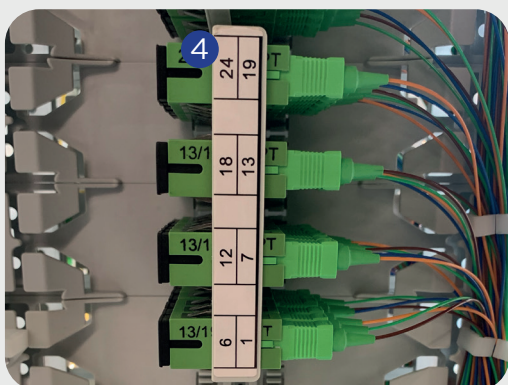
- 1 New tube holders with hand opening system
- 2 Aligned tube holders with cable entry ports
- 3 Large storage area for cable entry and fibre directional changes



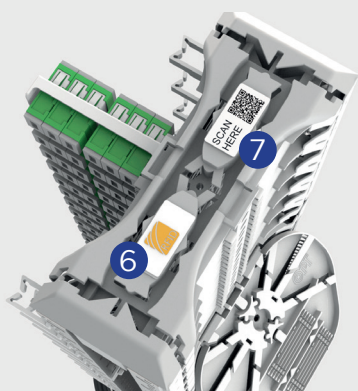
The information given herein, including drawings, illustrations and schematics are intended for illustration purposes only and is believed to be reliable. However, STL makes no warranties to its accuracy or completeness and disclaims any liability in connection with its use. STL obligations shall be only set forth in STL standard terms and conditions of the sale and in no case, STL be liable for any incidental, indirect or consequential damages arising out of sale, resale, use or misuse of the product.

Users of STL products should make their own evaluation to determine the suitability of such each product for the specific application.

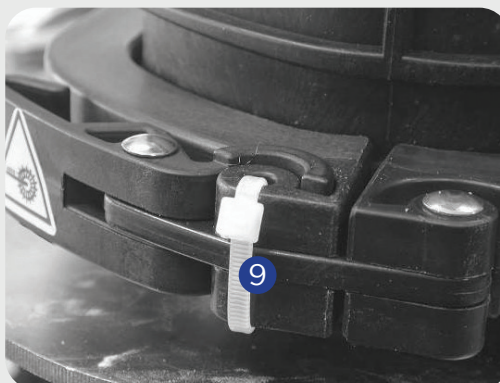
- 4 Numbered patch panel for easy to select connections
- 5 N:4 and N:8 splitters trays for PLC on-demand installation



- 6 RFID NFC tag for data storage readable even when the closure is close.  
Write/read with free of charge apps available on iOS and Android
- 7 Unloosable QR code installation instruction remote upgradable, ecofriendly



- 8 Grounding passthrough point for non dielectric cables
- 9 Lockable clamp for more security on the field



The information given herein, including drawings, illustrations and schematics are intended for illustration purposes only and is believed to be reliable. However, STL makes no warranties to its accuracy or completeness and disclaims any liability in connection with its use. STL obligations shall be only set forth in STL standard terms and conditions of the sale and in no case, STL be liable for any incidental, indirect or consequential damages arising out of sale, resale, use or misuse of the product.

Users of STL products should make their own evaluation to determine the suitability of such each product for the specific application.

# COMPONENTS AND CONFIGURATIONS

## DOC2 – AB Demarcation Optical Closure Size B

### DIMENSIONS

DOME A  
Height 525 mm  
Ø 247 mm

### Clamp



DIMENSIONS  
Ø 285 mm

### DOME B

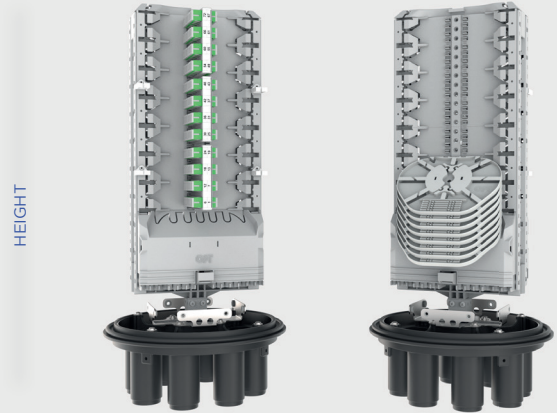


### BASE A



### CONFIGURATIONS: Patch & Splice

UP TO 504 FIBRES SPLICE CAPACITY WITH HD6-12H MODULES AND UP TO 72 ADAPTERS



## ORDERING INFORMATION

CONFIGURATION	ADAPTERS TYPE AND NO.	TRAYS	SPLITTERS
DOC2-AB-S2-72-72-00	Up to 72 SC/apc	6x 12fo input splice to pigtails 6x 12fo output splice to pigtails 30x 12fo for branching or storage purpose	NO
DOC2-AB-S2-72-72-6N4	Up to 72 SC/apc	9x splitters holding 1x splitters input to feeder cable 24x spare for storage/branching with splitters outputs terminated by field installable connectors or 18x spare for storage/branching and 6x 12fo output splice to pigtails	Up to 18x (n:4)
DOC2-AB-S2-72-72-3N8	Up to 72 SC/apc	9x splitters holding 1x splitters input to feeder cable 24x spare for storage/branching with splitters outputs terminated by field installable connectors or 18x spare for storage/branching and 6x 12fo output splice to pigtails	Up to 9x (n:8)
DOC2-AB-L2-48-96-00	Up to 96 LC/apc	12x 8fo input splice to pigtails 12x 8fo output splice to pigtails 18x 12fo for branching or storage purpose	NO
DOC2-AB-L2-48-96-8N4	Up to 96 LC/apc	12x splitters holding 1x splitters input to feeder cable 23x spare for storage/branching with splitters outputs terminated by field installable connectors or 12x spare for storage/branching and 12x 8fo output splice to pigtails	Up to 24x (n:4)
DOC2-AB-L2-48-96-4N8	Up to 96 LC/apc	12x splitters holding 1x splitters input to feeder cable 23x spare for storage/branching with splitters outputs terminated by field installable connectors or 12x spare for storage/branching and 12x 8fo output splice to pigtails	Up to 12x (n:8)

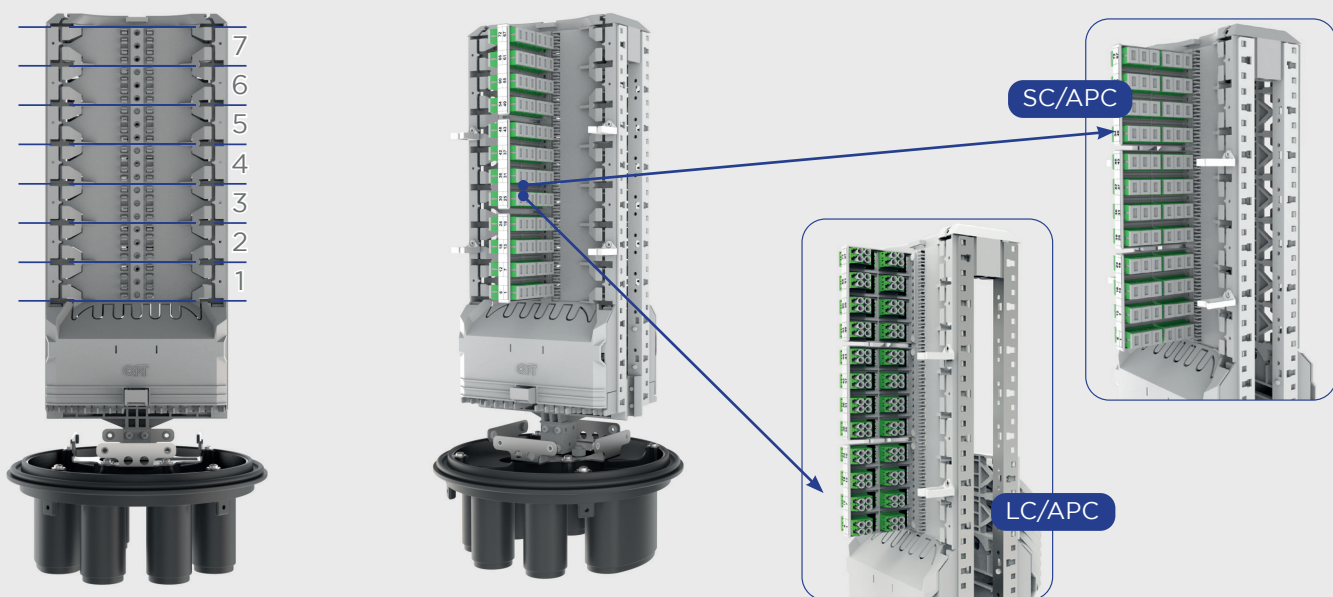
## PACKAGING

PRODUCT NAME	PACKAGING TYPE	DIMENSIONS (MM)			GROSS WEIGHT (KG.)
		WIDTH	DEPTH	HEIGHT	
DOC2 AB	Carton Box	300	300	550	-5

The information given herein, including drawings, illustrations and schematics are intended for illustration purposes only and is believed to be reliable. However, STL makes no warranties to its accuracy or completeness and disclaims any liability in connection with its use. STL obligations shall be only set forth in STL standard terms and conditions of the sale and in no case, STL be liable for any incidental, indirect or consequential damages arising out of sale, resale, use or misuse of the product.

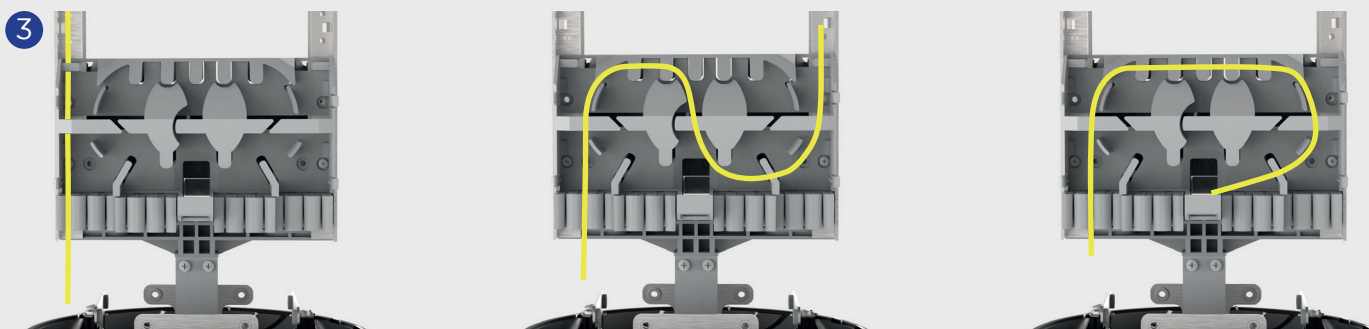
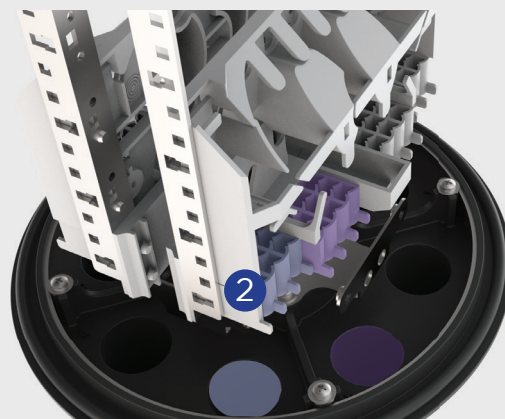
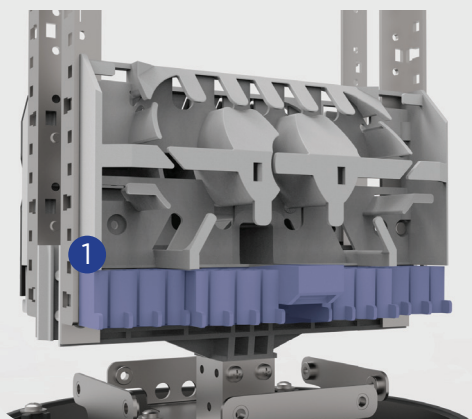
Users of STL products should make their own evaluation to determine the suitability of such each product for the specific application.

## CONFIGURATION WITH WAPX AND ADAPTERS



## INSTALLATION FRIENDLY FEATURES

- 1 New tube holders with hand opening system
- 2 Aligned tube holders with cable entry ports
- 3 Large storage area for cable entry and fibre directional changes

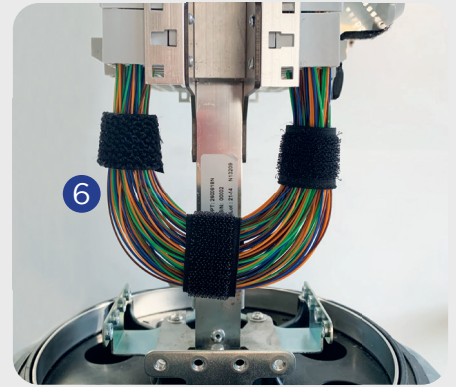
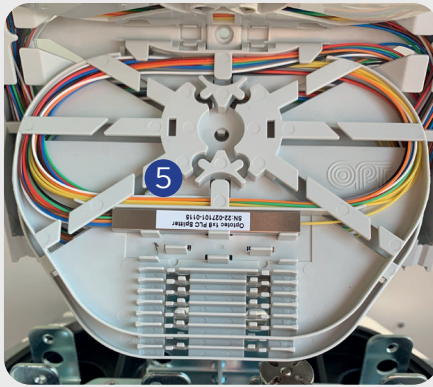
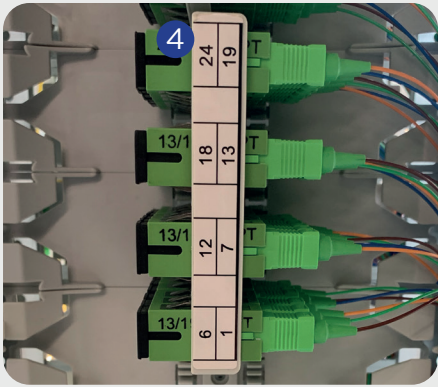


The information given herein, including drawings, illustrations and schematics are intended for illustration purposes only and is believed to be reliable. However, STL makes no warranties to its accuracy or completeness and disclaims any liability in connection with its use. STL obligations shall be only set forth in STL standard terms and conditions of the sale and in no case, STL be liable for any incidental, indirect or consequential damages arising out of sale, resale, use or misuse of the product.

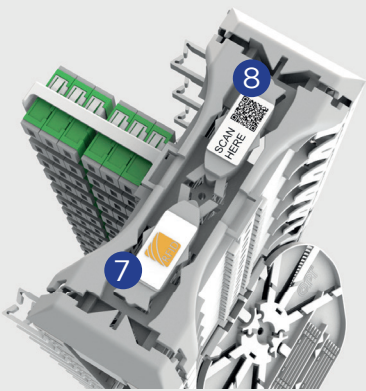
Users of STL products should make their own evaluation to determine the suitability of such each product for the specific application.



- ④ Numbered patch panel for easy to select connections
- ⑤ N:4 and N:8 splitters trays for PLC on-demand installation
- ⑥ Easy external routing for 900um cables



- ⑦ RFID NFC tag for data storage readable even when the closure is close.  
Write/read with free of charge apps available on iOS and Android
- ⑧ Unloosable QR code installation instruction remote upgradable, ecofriendly



- ⑨ Grounding passthrough point for non dielectric cables
- ⑩ Lockable clamp for more security on the field



The information given herein, including drawings, illustrations and schematics are intended for illustration purposes only and is believed to be reliable. However, STL makes no warranties to its accuracy or completeness and disclaims any liability in connection with its use. STL obligations shall be only set forth in STL standard terms and conditions of the sale and in no case, STL be liable for any incidental, indirect or consequential damages arising out of sale, resale, use or misuse of the product.

Users of STL products should make their own evaluation to determine the suitability of such each product for the specific application.

# COMPONENTS AND CONFIGURATIONS

## DOC2 – AC Demarcation Optical Closure Size C

### DIMENSIONS

DOME A  
Height 390 mm  
Ø 247 mm

### Clamp



DIMENSIONS  
Ø 285 mm

### DOME C



### BASE A



### CONFIGURATIONS: Patch & Splice

UP TO 792 FIBRES SPLICE CAPACITY WITH HD6-12H MODULES AND UP TO 96 SC ADAPTERS



CONFIGURATION	ADAPTERS TYPE AND NO.	TRAYS	SPLITTERS
DOC2-AC-S2-96-96-00	Up to 96 SC/apc	12x 8fo input splice to pigtails 12x 8fo output splice to pigtails 42x 12fo for branching or storage purpose	NO
DOC2-AC-S2-96-96-6N4	Up to 96 SC/apc	12x splitters holding 1x splitters input to feeder cable 47x spare for storage/branching with splitters outputs terminated by field installable connectors or 35x spare for storage/branching and 12x 8fo output splice to pigtails	Up to 18x (n:4)
DOC2-AC-S2-96-96-3N8	Up to 96 SC/apc	12x splitters holding 1x splitters input to feeder cable 47x spare for storage/branching with splitters outputs terminated by field installable connectors or 35x spare for storage/branching and 12x 8fo output splice to pigtails	Up to 9x (n:8)

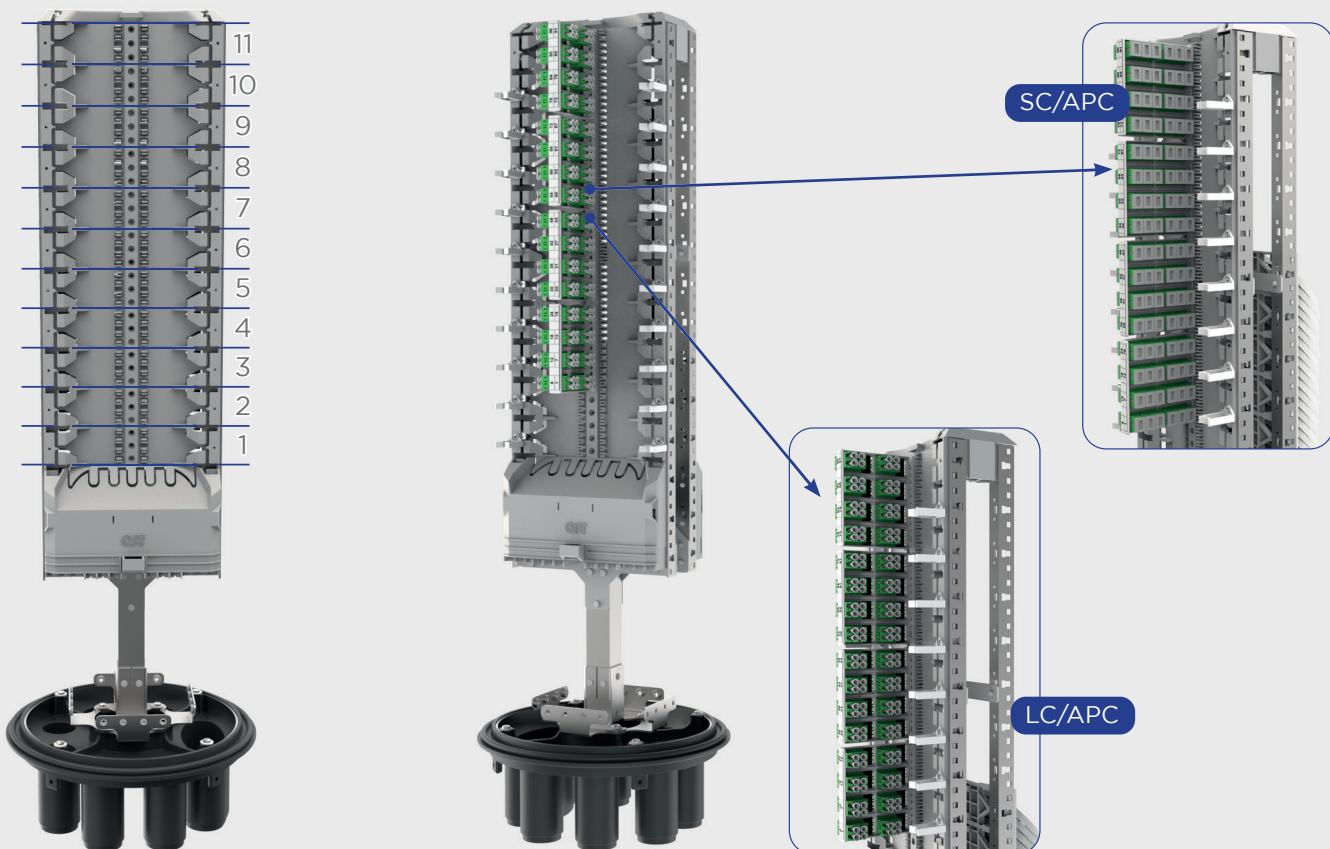
### PACKAGING

PRODUCT NAME	PACKAGING TYPE	DIMENSIONS (MM)			GROSS WEIGHT (KG.)
		WIDTH	DEPTH	HEIGHT	
DOC2 AC	Carton Box	300	300	800	~6

The information given herein, including drawings, illustrations and schematics are intended for illustration purposes only and is believed to be reliable. However, STL makes no warranties to its accuracy or completeness and disclaims any liability in connection with its use. STL obligations shall be only set forth in STL standard terms and conditions of the sale and in no case, STL be liable for any incidental, indirect or consequential damages arising out of sale, resale, use or misuse of the product.

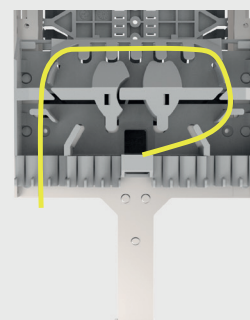
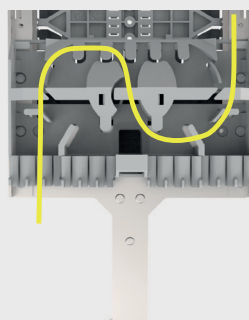
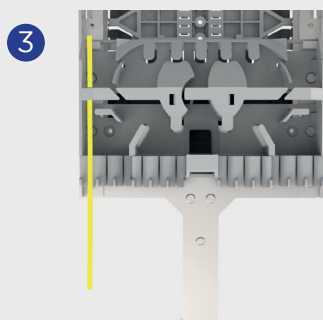
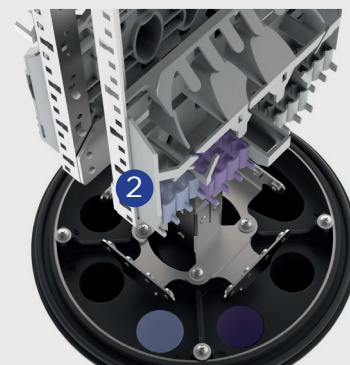
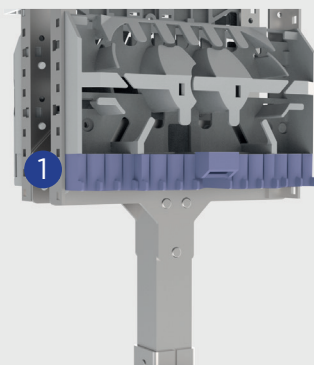
Users of STL products should make their own evaluation to determine the suitability of such each product for the specific application.

## CONFIGURATION WITH WAPX AND ADAPTERS



## INSTALLATION FRIENDLY FEATURES

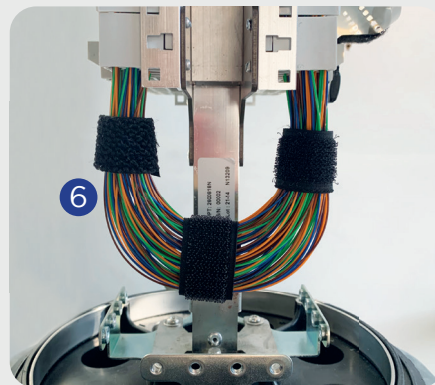
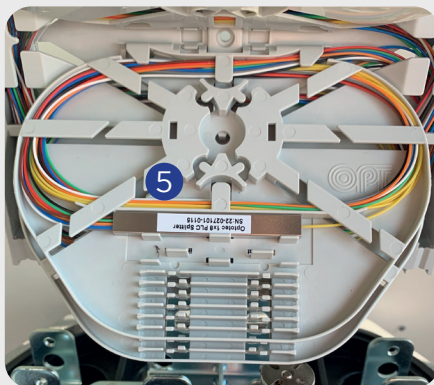
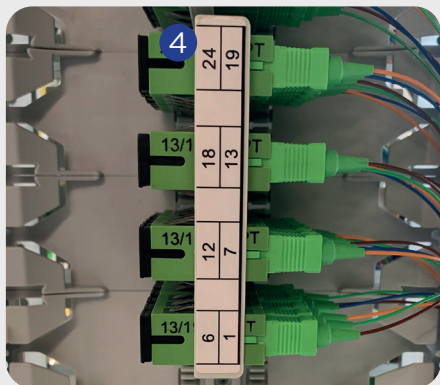
- 1 New tube holders with hand opening system
- 2 Aligned tube holders with cable entry ports
- 3 Large storage area for cable entry and fibre directional changes



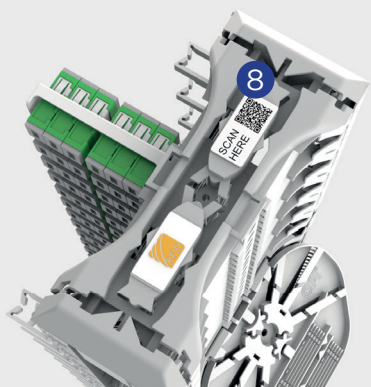
The information given herein, including drawings, illustrations and schematics are intended for illustration purposes only and is believed to be reliable. However, STL makes no warranties to its accuracy or completeness and disclaims any liability in connection with its use. STL obligations shall be only set forth in STL standard terms and conditions of the sale and in no case, STL be liable for any incidental, indirect or consequential damages arising out of sale, resale, use or misuse of the product.

Users of STL products should make their own evaluation to determine the suitability of such each product for the specific application.

- 4 Numbered patch panel for easy to select connections
- 5 N:4 and N:8 splitters trays for PLC on-demand installation
- 6 Easy external routing for 900um cables



- 7 RFID NFC tag for data storage readable even when the closure is close. Write/read with free of charge apps available on iOS and Android
- 8 Unloosable QR code installation instruction remote upgradable, ecofriendly



- 9 Grounding passthrough point for non dielectric cables
- 10 Lockable clamp for more security on the field



The information given herein, including drawings, illustrations and schematics are intended for illustration purposes only and is believed to be reliable. However, STL makes no warranties to its accuracy or completeness and disclaims any liability in connection with its use. STL obligations shall be only set forth in STL standard terms and conditions of the sale and in no case, STL be liable for any incidental, indirect or consequential damages arising out of sale, resale, use or misuse of the product.

Users of STL products should make their own evaluation to determine the suitability of such each product for the specific application.

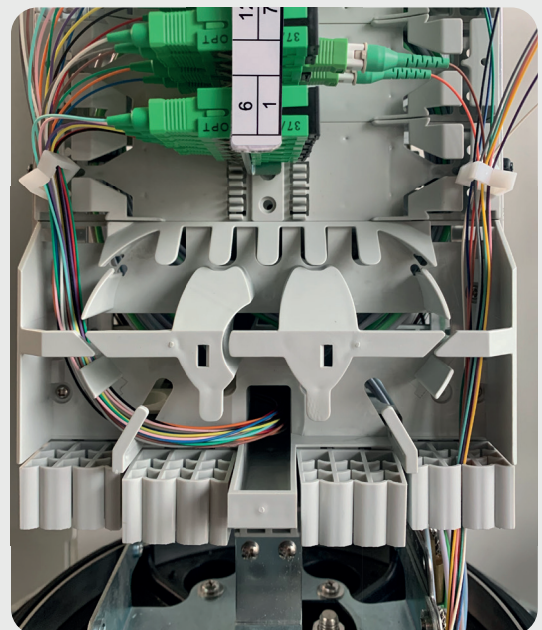
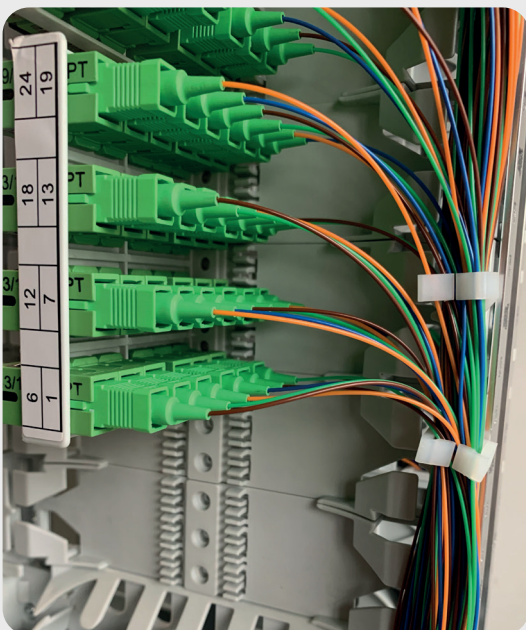
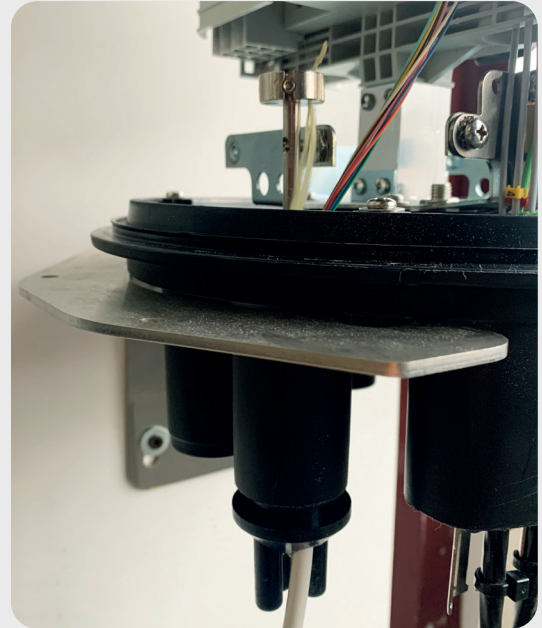
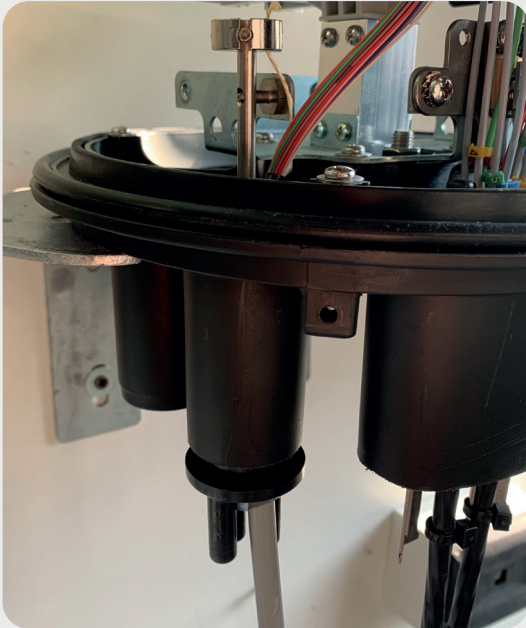
## CONFIGURATION WITH WAPX AND ADAPTERS

Optotec Demarcation Closures are symbiotic with STL drop cables and Field Installable connectors (Mechanical, SpliceOn and Blowable types) to connect buildings and single subscribers.

Outdoor Retractable OFC cables 24F is properly sealed by CCSR-4x10 cold applied sealing kit. Just one sealing kit is enough to terminate up to  $4 \times 24 = 96F$  in one round port only!

Cold applied sealing kit CCSR 6x8 is used to seal Outdoor Retractable OFC cables 12F. You need just two round kits to terminate up to  $2 \times 6 \times 12 = 144F$ .

Single drops are terminated into CCSR 8x4 sealing kit. Consider you can seal up to 8x single drops in one round port only.

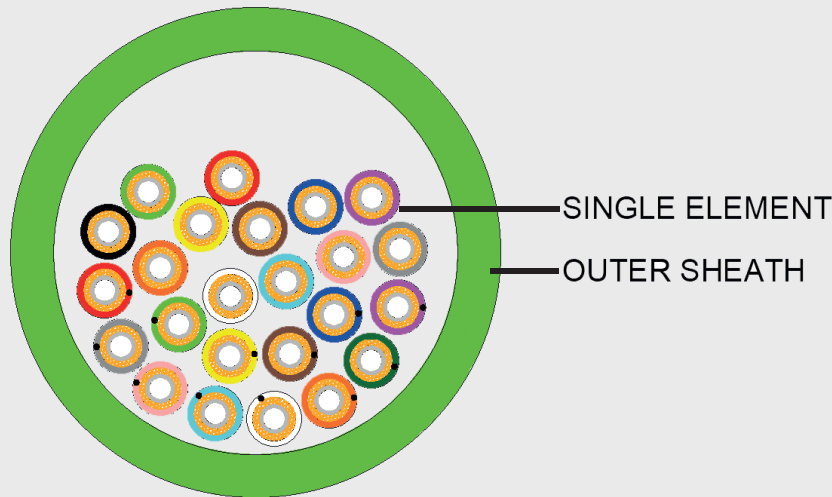


The information given herein, including drawings, illustrations and schematics are intended for illustration purposes only and is believed to be reliable. However, STL makes no warranties to its accuracy or completeness and disclaims any liability in connection with its use. STL obligations shall be only set forth in STL standard terms and conditions of the sale and in no case, STL be liable for any incidental, indirect or consequential damages arising out of sale, resale, use or misuse of the product.

Users of STL products should make their own evaluation to determine the suitability of such each product for the specific application.

# OUTDOOR RETRACTABLE OFC

CABLE 24 FIBER: TOTD 24 (1 G.657.A2 / KM) / M



24 individual elements are joined to form the 24-fiber cable

- Color of the individual elements: see table "COLOR CODE"
- LSZH outer sheath: green or white color (\*)

Nom. 8.00 mm 3 0.50 mm

nom. Weight 67 Kg / Km

(\*) = other colours available on request

## COLOR CODE

N° FIBER	COLOR	N° FIBER	COLOR	N° FIBER	COLOR
1	Red	9	White	17	Blue + black ring
2	Light green	10	Turquoise	18	Purple + black ring
3	Yellow	11	Pink	19	Dark green + black ring
4	Brown	12	Gray	20	Orange + black ring
5	Blue	13	Red + black ring	21	White + black ring
6	Purple	14	Light green + black ring	22	Turquoise + black ring
7	Black	15	Yellow + black ring	23	Pink + black ring
8	Orange	16	Brown + black ring	24	Gray + black ring

## CABLES QUALIFICATION TESTS

- Reference standard: CEI EN 60794-1-2
- CABLES A 8,12, 24 FIBER**
- Drive: IEC 60794-1-2-E1A and B
- Percussion: IEC 60794-1-2-E4
- Crushing: IEC 60794-1-2-E3
- Thermal cycles: IEC 60794-1-2-F1
- Loop (Kink): IEC 60794-1-2-E10
- Bending and pulling: IEC 60794-1-2 E18A proc. 2

## REGULATORY REFERENCES

- European Regulation n° 305/2011
- EN 50575: 2014 + A1:2016
- **Fire reaction class** - Cca, s1b, d1, a1

*The values to be obtained for the indicated tests are given in the reference technical specifications.*

The information given herein, including drawings, illustrations and schematics are intended for illustration purposes only and is believed to be reliable. However, STL makes no warranties to its accuracy or completeness and disclaims any liability in connection with its use. STL obligations shall be only set forth in STL standard terms and conditions of the sale and in no case, STL be liable for any incidental, indirect or consequential damages arising out of sale, resale, use or misuse of the product.

Users of STL products should make their own evaluation to determine the suitability of such each product for the specific application.

## CABLES QUALIFICATION TESTS

On the external sheath of each cable there will be an indelible mark showing at least the following information:

- Manufacturer name
  - Year
  - Designation code
  - Euro CPR class
- Other contents can be customized on customer request

## MAIN FEATURES OF SINGLE FIBERS MODE

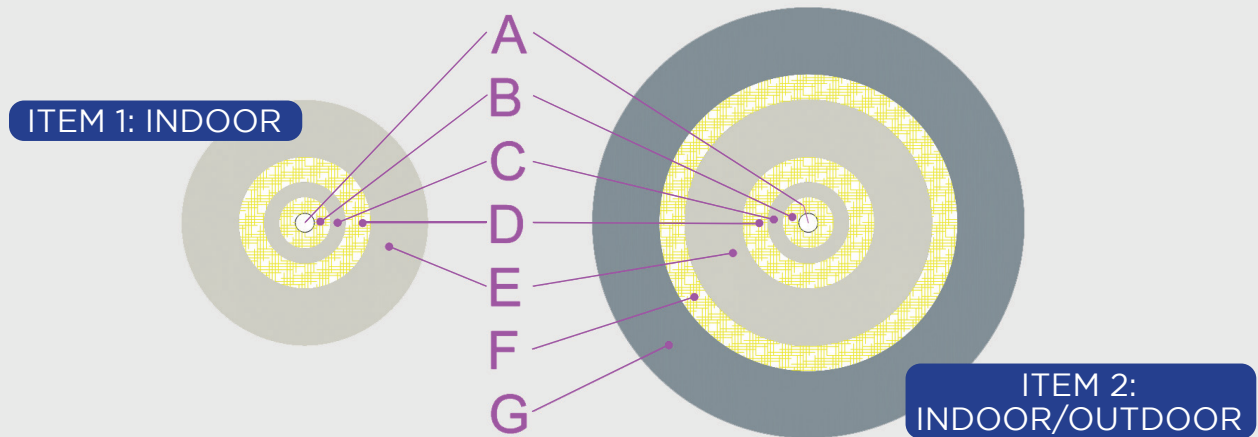
REFERENCE STANDARDS: ITU-T G.657.A2OF

CHARACTERISTICS		
PARAMETER	UNIT	VALUE
Modal field diameter at 1310 nm	$\mu\text{m}$	$8,6 \pm 0,4$
Diameter mantle	size	$125 \pm 0,7$
Primary coating diameter	$\mu\text{m}$	$250 \pm 15$
Core concentricity error	$\mu\text{m } \mu\text{m}$	$\leq 0,50$
Mantle non-circularity	%	$\leq 0,70$
Attenuation 1310 nm	dB/Km	$\leq 0,35$
Attenuation 1383 nm	dB/Km	$\leq 0,33$
Attenuation 1550 nm	dB/Km	$\leq 0,21$
Attenuation 1625 nm	dB/Km	$\leq 0,22$
Chromatic dispersion 1550 nm	ps/nm•Km	$\leq 18$
Chromatic dispersion 1625 nm	ps/nm•Km	$\leq 22$
Wavelength of dispersion zero, $\lambda_0$	nm	$1300 \leq \lambda_0 \leq 1324$
Wavelength	nm	$\leq 1260$
Polarization dispersion (PMD)	ps/ $\sqrt{\text{km}}$	$\leq 0,20$
Zero dispersion slope	ps/nm <sup>2</sup> /Km	$\leq 0,092$

The information given herein, including drawings, illustrations and schematics are intended for illustration purposes only and is believed to be reliable. However, STL makes no warranties to its accuracy or completeness and disclaims any liability in connection with its use. STL obligations shall be only set forth in STL standard terms and conditions of the sale and in no case, STL be liable for any incidental, indirect or consequential damages arising out of sale, resale, use or misuse of the product.

Users of STL products should make their own evaluation to determine the suitability of such each product for the specific application.

# OPTICAL CABLE FOR INDOOR & OUTDOOR FTTH APPLICATION



## KEY FEATURES AND BENEFITS

- European Regulation n° 305/2011
- EN 50575:2014 + A1:2016
- Suitable cable construction for indoor only application, high pulling resistance
- Perfect design for outdoor application and transition to indoor subscriber termination
- Preconnectorized cables (SC/apc and LC/apc) available upon request
- Ruggedized and light solution for FTTH applications

## APPLICATIONS

- Optical cables for telecommunications in buildings and other civil engineering works subject to reaction to fire regulations
- Aerial deployment <30m span
- Easy outdoor/indoor transition

CONSTRUCTION	
<b>A)</b> Fibre	- single mode SM 9/125/250 Qm ITU-T G.657.A2 - others type available on request - “tight” covering optional
<b>B)</b> Strength member	aramidic yarns
<b>C)</b> Indoor primary jacket	thermoplastic compound LSZH colour: white or ivory nominal diameter: min. 0,85 mm – max. 0,90 mm
<b>D)</b> Aramidic yarns protection	aramidic yarns, title $\geq$ 4500 dTex
<b>E)</b> Outdoor secondary jacket	thermoplastic compound LSZH colour: ivory (RAL 9002) minimum thickness: 0,60 mm nominal diameter: 2,60 mm $\pm$ 0,10 mm
<i>In addition, only for ITEM 2, outdoor construction</i>	
<b>F)</b> Protection	aramidic yarns, title $\geq$ 4500 dTex
<b>G)</b> External jacket	thermoplastic compound LSZH colour: grey (RAL 7001) minimum thickness: 0,70 mm nominal diameter: 4,50 mm $\pm$ 0,10 mm
Marking	“METALLURGICA BRESCIANA week/year – designation code – customer’s reference – Euroclasse CPR” + metric

The information given herein, including drawings, illustrations and schematics are intended for illustration purposes only and is believed to be reliable. However, STL makes no warranties to its accuracy or completeness and disclaims any liability in connection with its use. STL obligations shall be only set forth in STL standard terms and conditions of the sale and in no case, STL be liable for any incidental, indirect or consequential damages arising out of sale, resale, use or misuse of the product.

Users of STL products should make their own evaluation to determine the suitability of such each product for the specific application.



## AVAILABLE FIRE RESISTANCE EURO CLASS

REFERENCE	INDOOR	OUTDOOR
TIM CT 934	Cca, s3, d1, a3	Cca, s3, d1, a3
OPENFIBER ST 1730	Cca, s1b, d1, a1	Cca, s3, d1, a3
FASTWEB TND-ARCH-2017-004	Cca, s1b, d1, a1	Cca, s3, d1, a3
INFRATEL INF-ING-ST0043-20 rev. 4	Cca, s1b, d1, a1	Cca, s3, d1, a3

CHARACTERISTICS		
Pulling resistance	IEC 60794-1-21 E1	150 N (ITEM 1) / 500 N (ITEM 2)
Crush resistance	IEC 60794-1-21 E3	500 N (ITEM 1) / 2000 N (500 N Infratel) (ITEM 2)
Impact resistance	IEC 60794-1-21 E	41J; 3 shots (ITEM 1) / 2J; 3 shots (ITEM 2)
Thermic cycles	IEC 60794-1-22 F1	-10°C +60°C (ITEM 1) / -25°C +70°C (ITEM 2)
External jacket U.V. test	EN 50289-4-17 A	positive (ITEM 2)
Strippability	IEC 60794-1-2-E5	positive
Kink	IEC 60794-1-2-E10	Ø kink min. < 10 mm a 20°C

## CHARACTERISTIC OF SINGLE MODE FIBRE

REFERENCE STANDARD: ITU-T G.657.A2

CHARACTERISTICS			
PARAMETER		UNIT	VALUE
Nominal MFD range at 1310 nm		µm	Min. 8,6 – Max. 9,2
Cladding diameter		µm	125 ± 0,7
Coating diameter		µm	250 ± 15
Core/Cladding concentricity error		µm	≤ 0,50
Cladding non-circularity		%	≤ 1,00
Attenuation	1310 nm	dB/Km	≤ 0,35
Attenuation	1383 nm	dB/Km	≤ 0,33
Attenuation	1550 nm	dB/Km	≤ 0,21
Attenuation	1625 nm	dB/Km	≤ 0,22
Chromatic dispersion coefficient	1550 nm	ps/nm•Km	≤ 18
Chromatic dispersion coefficient	1625 nm	ps/nm•Km	≤ 22
Zero chromatic dispersion wavelength, λ <sub>0</sub>		nm	1300 ≤ λ <sub>0</sub> ≤ 1324
Cable cut-off wavelength		nm	≤ 1260
Individual fibre polarization mode dispersion (PMD)		ps/√km	≤ 0,20
Zero dispersion slope		ps/nm <sup>2</sup> /Km	≤ 0,092

The information given herein, including drawings, illustrations and schematics are intended for illustration purposes only and is believed to be reliable. However, STL makes no warranties to its accuracy or completeness and disclaims any liability in connection with its use. STL obligations shall be only set forth in STL standard terms and conditions of the sale and in no case, STL be liable for any incidental, indirect or consequential damages arising out of sale, resale, use or misuse of the product.

Users of STL products should make their own evaluation to determine the suitability of such each product for the specific application.

# GUIDE TO SPLICE

## TECHNICAL FEATURES

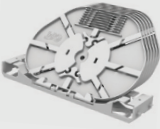
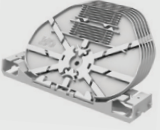
- Loop-Back facility: Yes
- Material: ABS-PC
- Flammability Rating: UL-94 V0
- Colour\*: RAL 7035

\*other colours available upon request

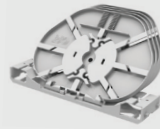
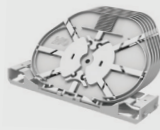
## APPLICATION

- Fibre management inside OPTOTEC products
- Hold and protect the splice

### FIBERTERM SPLICE

MODULE TYPE SAMX	TRAY PER PACK	SPLICES PER TRAY	TOTAL NUM. SPLICES PER MODULE
HD6-8H 	6	8H	48
HD6-12H 	6	12H	72


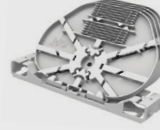
### FIBERCLIP SPLICE

MODULE TYPE SAMX	TRAY PER PACK	SPLICES PER TRAY	TOTAL NUM. SPLICES PER MODULE
HD4-12C 	4	12C	48
HD6-12C 	6	12C	72

### FIBERTERM SPLICE-ARRANGED ON 3 LAYERS

MODULE TYPE SAMX	TRAY PER PACK	SPLICES PER TRAY ARRANGED ON LAYERS	TOTAL NUM. SPLICES PER MODULE
HD3-24H 	3	≡ 3 LAYERS (8+8+8)  total. 24H	72

### FIBERTERM SPLICE-ARRANGED ON 2 LAYERS



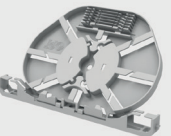

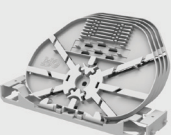


MODULE TYPE SAMX	TRAY PER PACK	SPLICES PER TRAY ARRANGED ON LAYERS	TOTAL NUM. SPLICES PER MODULE
HD4-12H 	4	≡ 2 LAYERS (6+6)  total. 12H	48
HD4-24H 	4	≡ 2 LAYERS (12+12)  total. 24H	96

The information given herein, including drawings, illustrations and schematics are intended for illustration purposes only and is believed to be reliable. However, STL makes no warranties to its accuracy or completeness and disclaims any liability in connection with its use. STL obligations shall be only set forth in STL standard terms and conditions of the sale and in no case, STL be liable for any incidental, indirect or consequential damages arising out of sale, resale, use or misuse of the product.

Users of STL products should make their own evaluation to determine the suitability of such each product for the specific application.

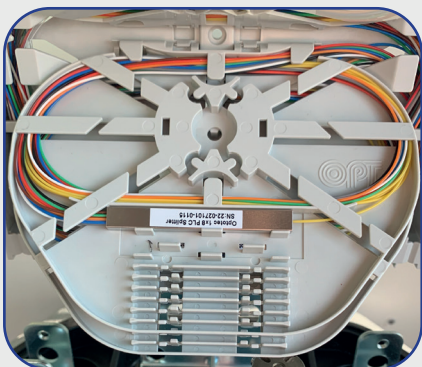
# GUIDE TO SPLICE

## FIBERTERM SPLICE AND PLC SPLITTER

MODULE TYPE SAMX	TRAY PER PACK	SPLICES PER TRAY	TOTAL NUM. PLC PER MODULE	HELD SPLITTER SIZES	TOTAL NUM. SPLICES PER MODULE
 HD3-18H-1PLC	3	 3 LAYERS (6+6+6)  total 18H	3	4x7x50 mm	54
 HD1-18H-1PLC	1	 3 LAYERS (6+6+6)  total 18H	1	4x7x50 mm	18
 HD4-12H-2PLC	4	 2 LAYERS (6+6)  total 12H	8	4x7x50 mm and 4x4x40mm	48
 HD1-12C-2PLC	1	 1 LAYER (6+6)  total 12C	2	4x7x50 mm	12
 HD3-12C-2PLC	3	 1 LAYER (6+6)  total 12C	6	4x7x50 mm	36

## COMPATIBLE 900um FIBRE REINFORCED SPLITTER SIZE

7x4x50 mm (typ. n:4 and n:8)



The information given herein, including drawings, illustrations and schematics are intended for illustration purposes only and is believed to be reliable. However, STL makes no warranties to its accuracy or completeness and disclaims any liability in connection with its use. STL obligations shall be only set forth in STL standard terms and conditions of the sale and in no case, STL be liable for any incidental, indirect or consequential damages arising out of sale, resale, use or misuse of the product.

Users of STL products should make their own evaluation to determine the suitability of such each product for the specific application.

## GUIDE TO COLD SEALING CCSO-CCSR ODCKIT

KIT CODE AND PICTURE	SEALING TYPE	CABLE MANAGEMENT CAPACITY		USE ON BASE	
		MAX CABLES No.	CABLE TYPE AND RANGE MIN-MAX	ROUND A	OVAL A
 ODCKIT-CCSO-2x20	 OVAL COLD SEALING	2	 10 - 20 mm	 1 KIT maximum	 1 KIT maximum
 ODCKIT-CCSO-2x14	 OVAL COLD SEALING	2	 10 - 14 mm	 1 KIT maximum	 1 KIT maximum
 ODCKIT-CCSO-4x10	 OVAL COLD SEALING	4	 5 - 10 mm	 1 KIT maximum	 1 KIT maximum
 ODCKIT-CCSR-1x20	 ROUND COLD SEALING	1	 12 - 20 mm	 6 KIT maximum	 6 KIT maximum
 ODCKIT-CCSR-1x14	 ROUND COLD SEALING	1	 10 - 14 mm	 6 KIT maximum	 6 KIT maximum
 ODCKIT-CCSR-2x12	 ROUND COLD SEALING	2	 8 - 12 mm	 6 KIT maximum	 6 KIT maximum
 ODCKIT-CCSR-4x10	 ROUND COLD SEALING	4	 7 - 10 mm	 6 KIT maximum	 6 KIT maximum
 ODCKIT-CCSR-6x8,6	 ROUND COLD SEALING QUICK-LOCK	6	 7 - 8,6 mm	 6 KIT maximum	 6 KIT maximum
 ODCKIT-CCSR-6x8	 ROUND COLD SEALING	6	 6 - 8 mm	 6 KIT maximum	 6 KIT maximum
 ODCKIT-CCSR-8x6	 ROUND COLD SEALING	8	 4 - 6,4 mm	 6 KIT maximum	 6 KIT maximum
 ODCKIT-CCSR-8x4	 ROUND COLD SEALING	8	 3 - 5,5 mm	 6 KIT maximum	 6 KIT maximum
 ODCKIT-CCSR-16x3	 ROUND COLD SEALING	16	 0 - 3 mm	 6 KIT maximum	 6 KIT maximum
 ODCKIT-CCSR-4XR95	 ROUND COLD SEALING	4	 8,5-7 mm 5-4 mm	 6 KIT maximum	 6 KIT maximum

The information given herein, including drawings, illustrations and schematics are intended for illustration purposes only and is believed to be reliable. However, STL makes no warranties to its accuracy or completeness and disclaims any liability in connection with its use. STL obligations shall be only set forth in STL standard terms and conditions of the sale and in no case, STL be liable for any incidental, indirect or consequential damages arising out of sale, resale, use or misuse of the product.

Users of STL products should make their own evaluation to determine the suitability of such each product for the specific application.




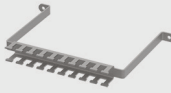





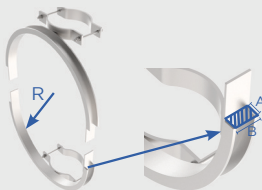
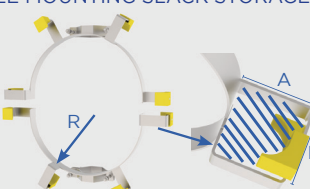

## GUIDE TO HEAT-SHRINK SEALING ODCKITS

KIT CODE AND IMAGE	SEALING TYPE	CABLE MANAGEMENT CAPACITY		USE ON BASE	
		MAX CABLES NO.	CABLE Ø RANGE MIN-MAX	TYPE A 	TYPE A 
 ODCKIT-OVAL PORT SEAL LT	HEAT-SHRINK OVAL SEALING	2	14 - 25mm	✓ 1 KIT MAXIMUM	✓ 1 KIT MAXIMUM
 ODCKIT-ROUND PORT A SEAL LT	HEAT-SHRINK ROUND SEALING	1	14 - 28mm	✓ 6 KITS MAXIMUM	✓ 6 KITS MAXIMUM
 ODCKIT-ROUND PORT SEAL LT EXT	HEAT-SHRINK ROUND SEALING	1	8 - 28mm	✓ 6 KITS MAXIMUM	✓ 6 KITS MAXIMUM
 ODCKIT-ROUND PORT B SEAL LT	HEAT-SHRINK ROUND SEALING	1	6 - 20mm	✗	✗
 ODCKIT-DROP WITH ONE MORE CABLE ENTRY	HEAT-SHRINK SEALING AND SECOND CABLE CONFIGURATION ROUND A	1 (2)	6 - 14mm	✓ 6 KITS MAXIMUM	✓ 6 KITS MAXIMUM
 ODCKIT-2° ADDED DROP CABLE ENTRY	HEAT-SHRINK SEALING AND SECOND CABLE CONFIGURATION ROUND A	1	6 - 14mm	✓ 6 KITS MAXIMUM	✓ 6 KITS MAXIMUM
 ODCKIT-TAP	ARMOURED CABLES GROUND FEED-THROUGH			✓	✓
 ODCKIT-OPS-CC	OVAL HEAT-SHRINK SEALING FOR SLOTTED CORE CABLES			✓	✓
 ODCKIT-RPS-CC	ROUND HEAT-SHRINK SEALING FOR SLOTTED CORE CABLES			✓	✓

The information given herein, including drawings, illustrations and schematics are intended for illustration purposes only and is believed to be reliable. However, STL makes no warranties to its accuracy or completeness and disclaims any liability in connection with its use. STL obligations shall be only set forth in STL standard terms and conditions of the sale and in no case, STL be liable for any incidental, indirect or consequential damages arising out of sale, resale, use or misuse of the product.

Users of STL products should make their own evaluation to determine the suitability of such each product for the specific application.

# GUIDE TO MOUNTING BRACKETS AND CABLES STORAGE ODCKIT

KIT CODE AND IMAGE	KIT FEATURES	USE ON CLOSURES TYPE	
		CDOC2	DOC2
ODCKIT-WMB 	WALL MOUNTING BRACKET	✗	✓
CODCKIT-WMB 	COMPACT WALL MOUNTING BRACKET	✓	✗
ODCKIT-PMK 	POLE MOUNTING KIT This kit fix the ODCKIT-WMB and CODCKIT-WMB [not included] to the pole (pole diameter from 200mm to 100mm)	✓	✗
CODCKIT-CFP 	CABLES FIXATION PLATE External extra fixation for tubes or heavy duty cables (1x ON CODCKIT-WMB, 2x ON ODCKIT-WMB)	1x	1x WITH BASE A 2x WITH BASE C
ODCKIT-PHMK 	POT-HEAD MOUNTING KIT The kit fix ODC2 and MSC to a square pole (max 80x180mm)	✗	✓
ODCKIT-WMB TT 	ODCKIT-WMB FOR POWERLINE TRELLIS	✗	✓
CODCKIT-WMB TT 	CODCKIT-WMB FOR POWERLINE TRELLIS	✓	✗
MB-ODC2KIT 	MOUNTING BRACKET FOR MOBRA ARM SUITABLE TO BE INSTALLED ON STANDARD MOBRA ARMS	✗	✓
MB-CODC2KIT 	MOUNTING BRACKET FOR MOBRA ARM SUITABLE TO BE INSTALLED ON STANDARD MOBRA ARMS	✓	✗
POLE MOUNTING SLACK STORAGE TYPE 01 	POLE COMPACT SLACK STORAGE FOR CABLES  STORAGE AREA A=20mm B=38mm	✓	✓
POLE MOUNTING SLACK STORAGE TYPE 02 	POLE SLACK STORAGE FOR CABLES  STORAGE AREA A= 105mm B= 100mm	✓	✓
CODCKIT-SGBP 	SHOT GUN BLASTER PROTECTION FOR CODC2 CLOSURES	✓	✗

The information given herein, including drawings, illustrations and schematics are intended for illustration purposes only and is believed to be reliable. However, STL makes no warranties to its accuracy or completeness and disclaims any liability in connection with its use. STL obligations shall be only set forth in STL standard terms and conditions of the sale and in no case, STL be liable for any incidental, indirect or consequential damages arising out of sale, resale, use or misuse of the product.

Users of STL products should make their own evaluation to determine the suitability of such each product for the specific application.