

estelan

Category 6 UTP LED Keystone Outlet



Typical Specifications

Category 6 Mini 180° UTP keystone outlets are durable and made with high quality Polycarbonate plastic. STL keystone outlets are suitable for various applications under different environmental conditions. The LED helps installers to ensure a secure connection. The 8 Pin insert offers excellent flexibility and resistance. Keystone outlets meet and exceed the international standard ISO/IEC 11801 and the ANSI/TIA-568.2-D requirements and comply with RoHS standards.

Features & Benefits

- Offers total solution of your local area networking
- Dual IDC connector can accept 23-26 AWG solid and stranded cables
- Support T568 A&B wiring, resulting in ease of installation
- RoHS compliant
- Performance conforms to ANSI/TIA-568.2-D, ISO/IEC 11801 and EN50173-1 Category 6 specification

Applications

- 1000BASE-TX Fast Ethernet
- 1000BASE-T Gigabit Ethernet
- 100BASE-TX Fast Ethernet; 155/622 Mbps ATM
- 4/16 Mbps Token Ring; 100VG-Any LAN
- 100 Mbps TP-PMD; 1.2Gb/s ATM

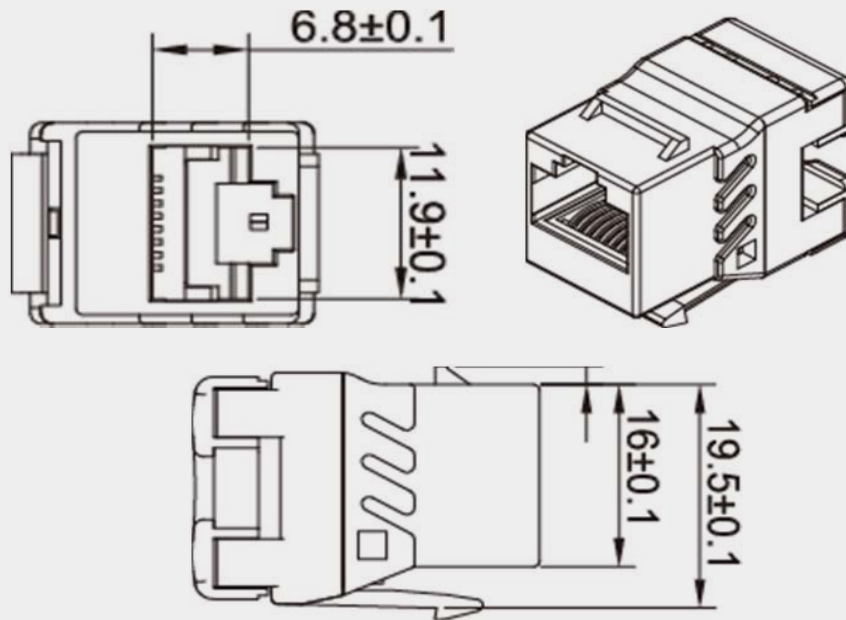
Specifications

Electrical Specifications	
Dielectric Strength	1000V RMS for 1 min
Contact Resistance	20mΩ per contact
Temperature Range	-10° to 60° max
Humidity	10%-65%
Insulation Resistance	500MΩ min

Physical Specifications

- High impact plastic housing, Flame retardant UL 94V-0
- IDC Contact : Tinned 100 μ inch nickel plated over phosphor bronze
- Jack Contact : Phosphor bronze, 50 μ inch gold plating over nickel plating in contact
- Jack Operating life : Minimum 750 insertions

Dimensions



Unit: mm

Ordering Information

Part Code	Description
NXIOC06UX180WHL D	NX CAT6 RJ45 KEYSTONE JACK, 180 degree TYPE, WHITE, UTP,LED

01/03023

The information given herein, including drawings, illustrations and schematics are intended for illustration purposes only and is believed to be reliable. However, Sterlite Technologies makes no warranties to its accuracy or completeness and disclaims any liability in connection with its use. Sterlite Technologies obligations shall be only set forth in Sterlite Technologies standard terms and conditions of the sale and in no case, Sterlite Technologies be liable for any incidental, indirect or consequential damages arising out of sale, resale, use or misuse of the product.

Users of Sterlite Technologies products should make their own evaluation to determine the suitability of such each product for the specific application.