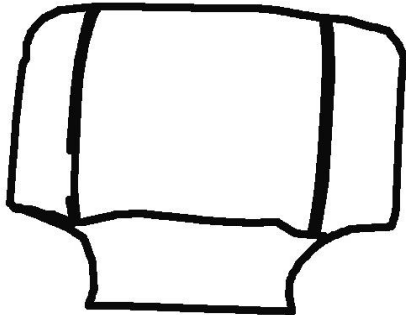
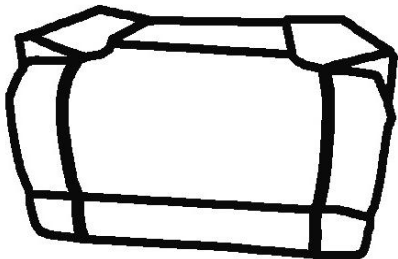
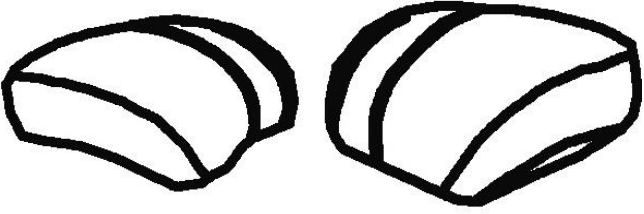


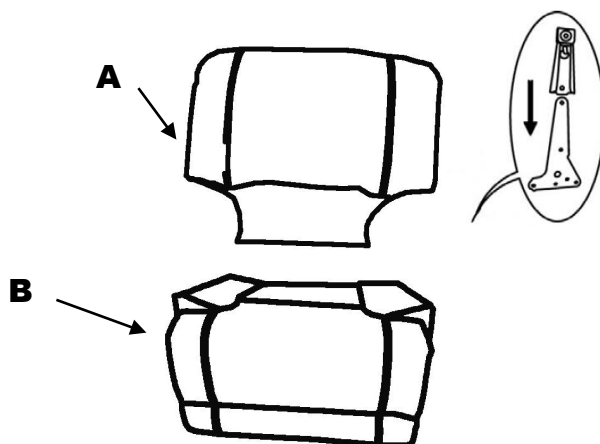
NOTE: Do not use power tools for assembly. Power tools increase the risk of over tightening which lead to splitting or cracking the wood.

COMPONENT LIST

NO.	DRAWING	QTY	DESCRIPTION
A		1	BACK REST
B		1	SEAT
C	<p style="text-align: center;">L R</p> 	2	<p style="text-align: center;">LSF ARM</p> <hr/> <p style="text-align: center;">RSF ARM</p>

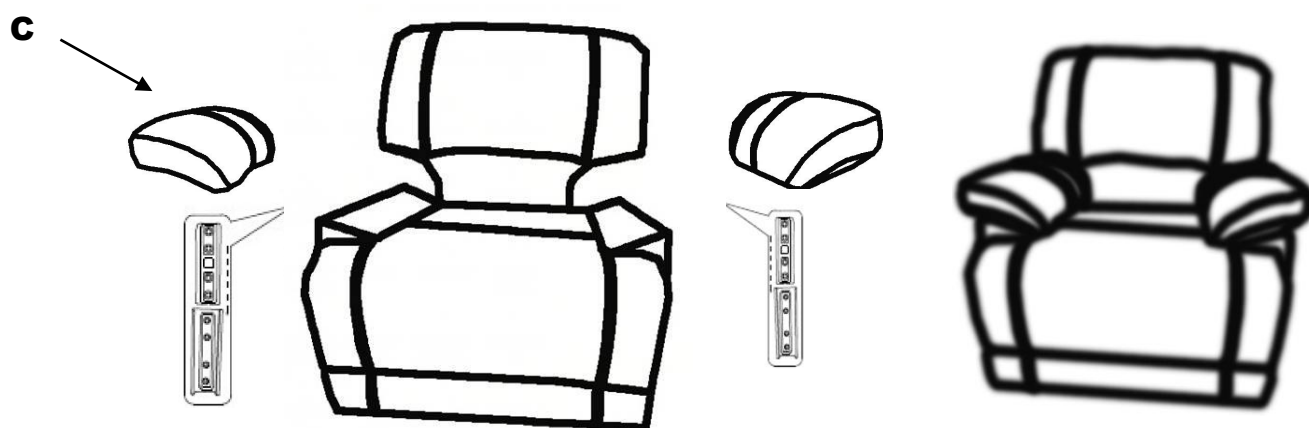
Please follow the drawings below to assemble the item.

Step 1. Align female brackets at the back to the male brackets at the seat, insert the back rest to the seat and push it to the end, make sure the brackets is secured in position.



Step 2. Attach the arms to the both upper side of the seat, insert the arms and push to the end, make sure the brackets are secured in position.

Step 3. Completed



CARE INSTRUCTION FOR PU FURNITURE:

In order to maintain the original appearance of your PU furniture, please follow below care procedures:

- Avoid exposing furniture directly to sunlight or heating and air conditioning outlets. Sunlight and / or exposure to heating and air conditioning outlets will fade/damage PU. Do not place your upholstered furniture too close to windows, radiators, or vents, and be sure to use window treatments to block the sun's rays.
- Vacuum or wipe with a soft brush to remove dust.
- Clean PU with professional cleanser.