
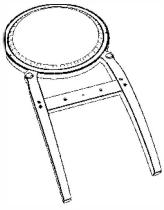
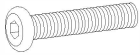
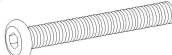
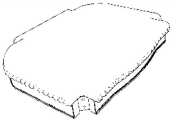
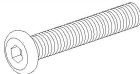






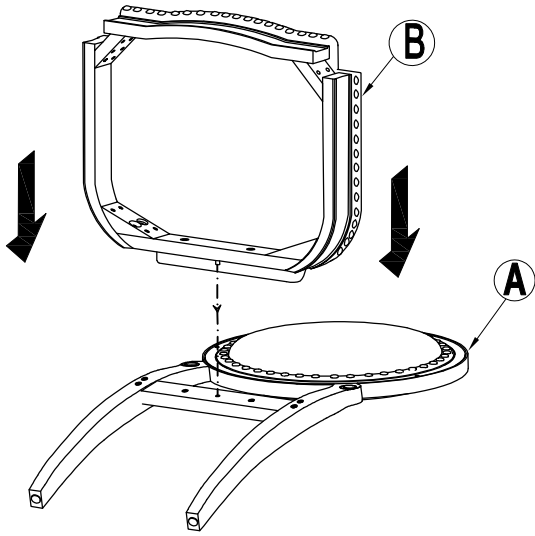


Thank you for purchasing this product. Please take time to read and follow the instruction below. Check that you have all parts and hardware before assembly. Parts apparently missing are often found in the packing materials. If you do not have all the parts listed, have your dealer contact us and they will be sent to you immediately.

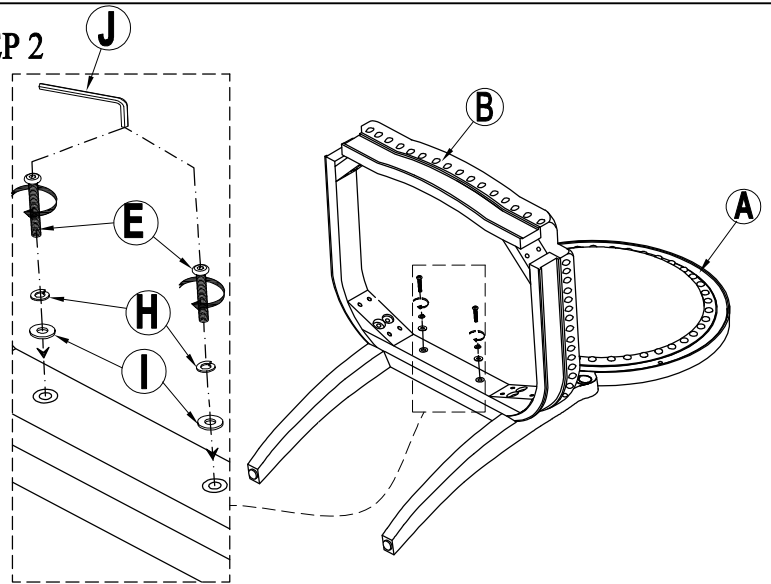
 It is recommended to install protective pads under all legs and support to avoid damage or scratches when placing furniture on a wood floor or other hard surface, and to limit indentation and prevent discoloration if placing on carpet.

PARTS LIST				HARDWARE LIST				
A		Chair Back	1	E	Bolt		5/16"-18 x 1 1/2"	2
				F	Bolt		5/16" -18 x 2 3/4"	4
B		Seat Cushion With Frame	1	G	Bolt		5/16"-18 x 2 1/2"	4
C		RSF ARM with FRONT LEG	1	H	Spring Washer		5/16" x 11/32" x 1/2" x 1/16"	10
D		LSF ARM with FRONT LEG	1	I	Flat Washer		5/16" x 11/32" x 3/4" x 1/16"	10
				J	Allen Key		5/32"	1
				K	Screw / Vis		#5/16 x 2 "	2

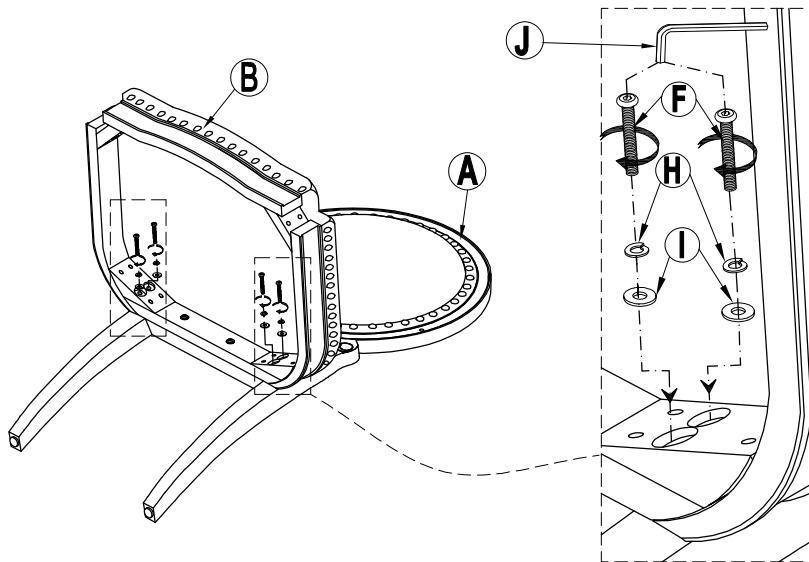
STEP 1



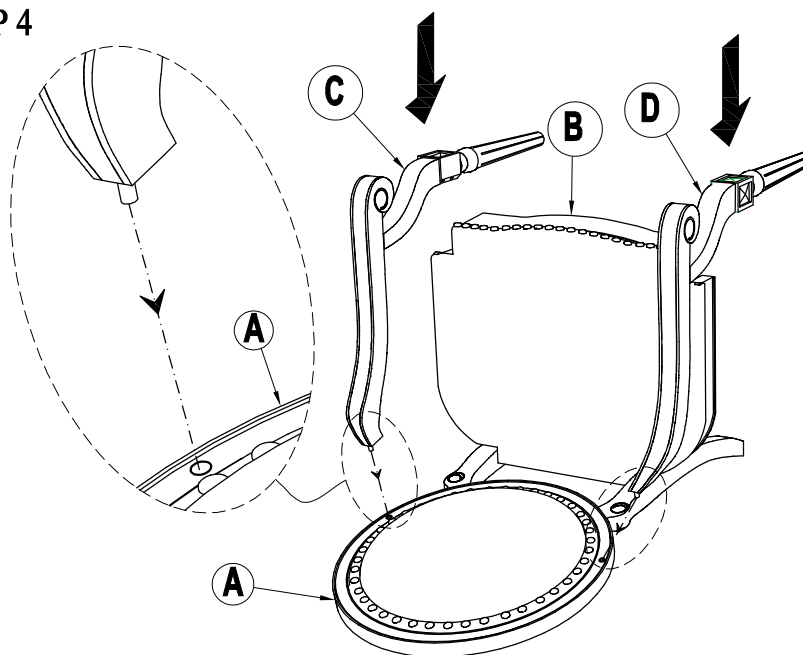
STEP 2



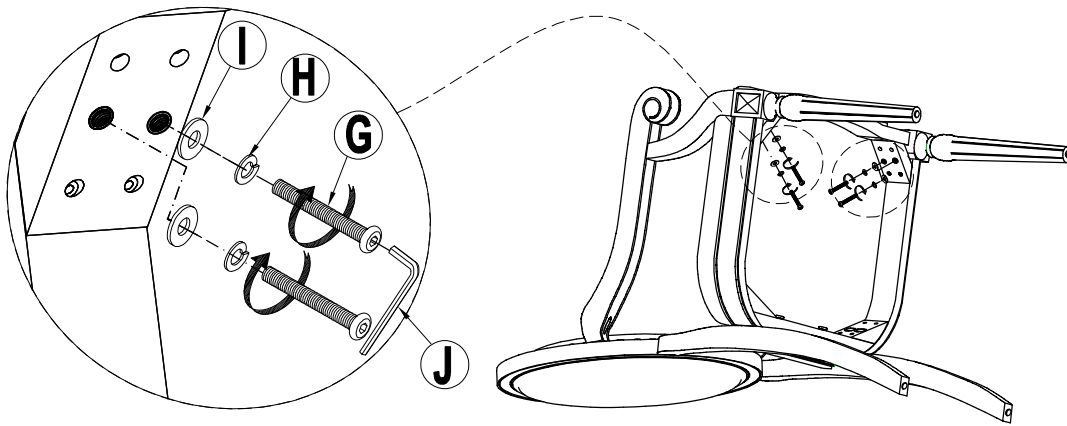
STEP 3



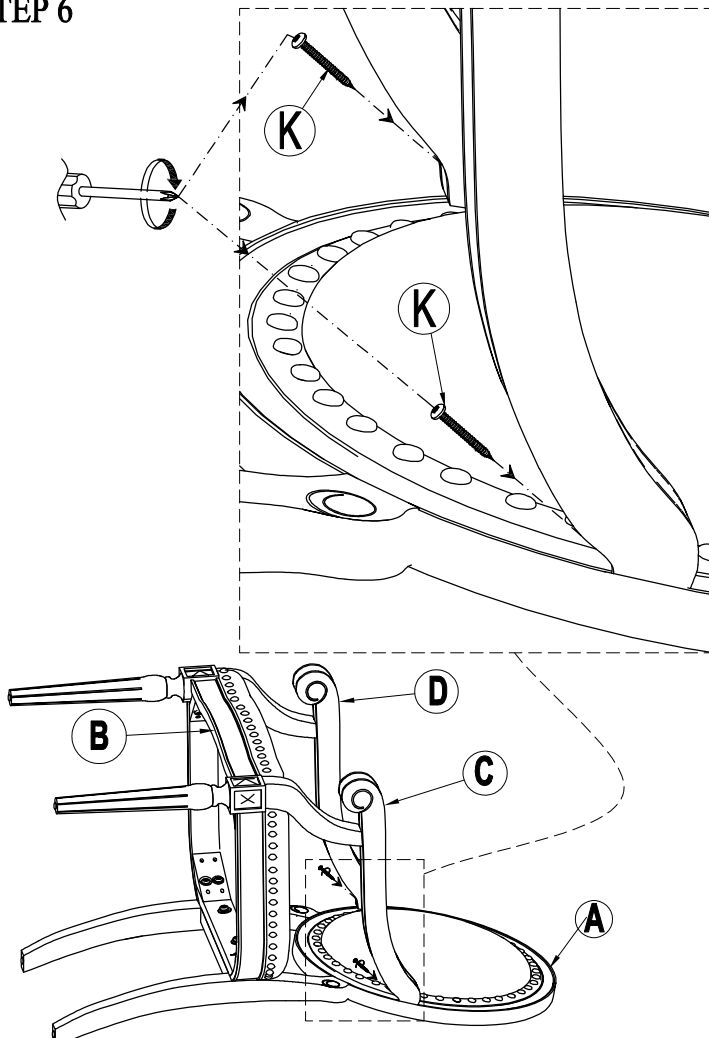
STEP 4



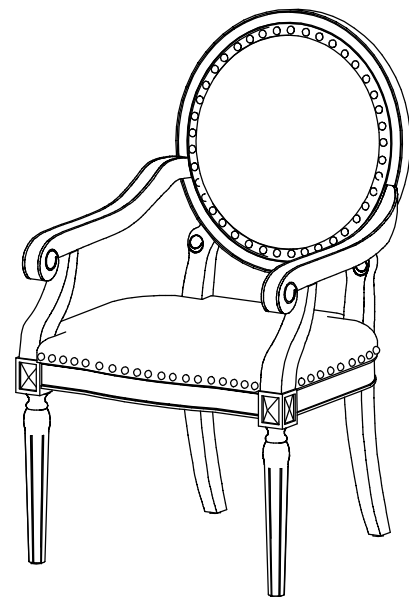
STEP 5



STEP 6



COMPLETED



MADE IN VIETNAM

PU CARE INSTRUCTION:

- Avoid exposing furniture directly with sunlight or heating and air conditioning outlets.
- Exposure to sunlight or heating and air conditioning outlets will fade/damage PU.
- Wipe gently with a damp soft cloth to remove dust, dirt and any buildup.