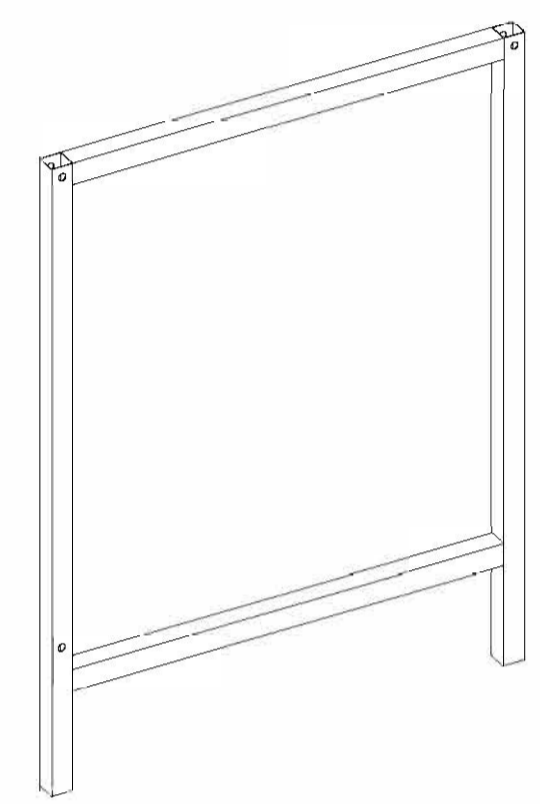




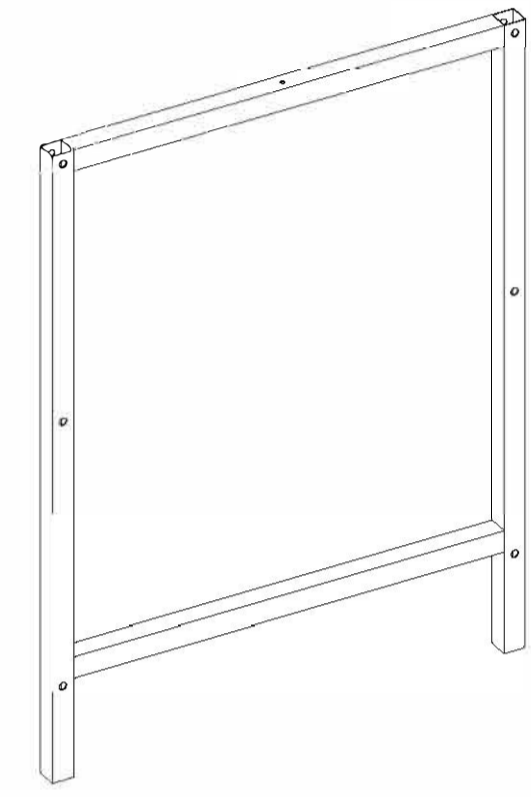
# ASSEMBLY INSTRUCTION

## ITEM#: 210H4514-15

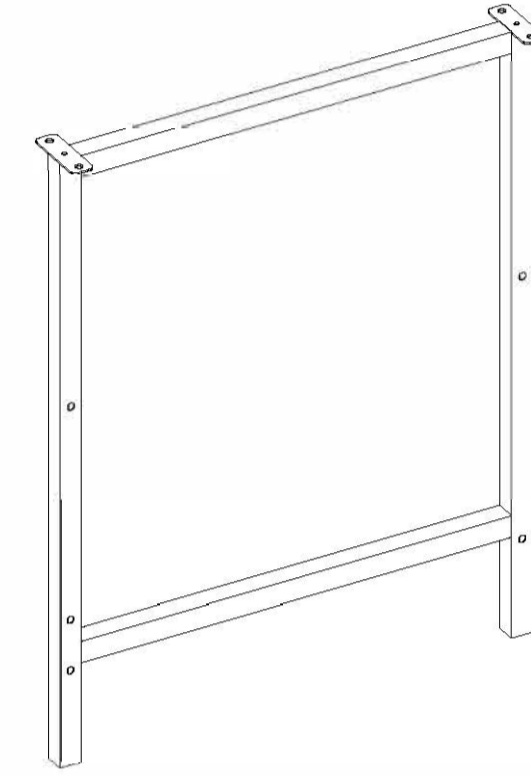
### PART LIST:



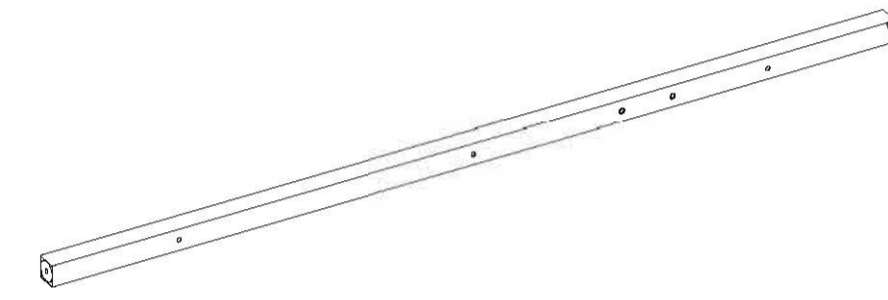
A:Desk Leg Frame,  
Left  
1PC



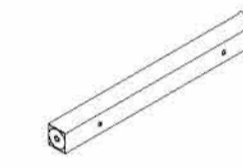
B:Desk Leg Frame  
Right  
1PC



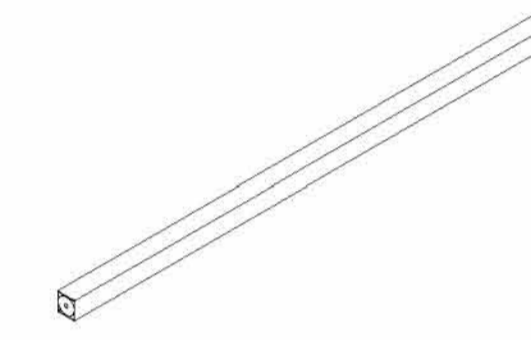
C:Desk Leg Frame,  
Middle  
1PCS



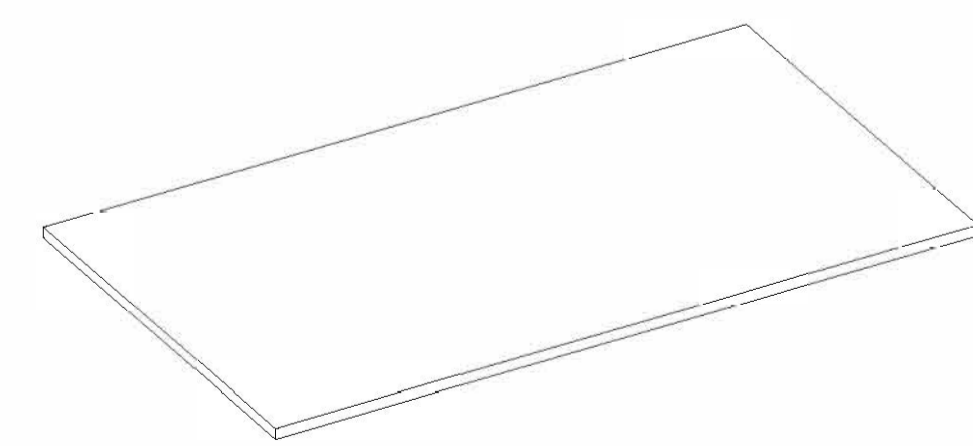
D:Desk Upper  
Cross Bar,  
2PCS



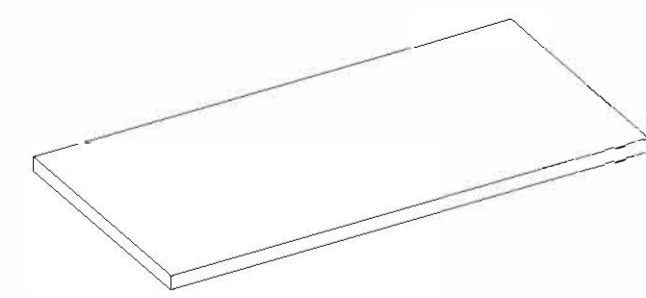
E:Desk Frame  
Support Bar,  
4PCS



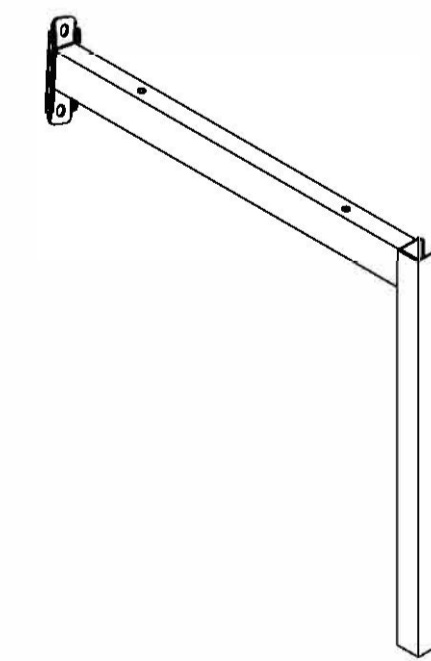
F:Desk Center  
Cross Bar,  
1PC



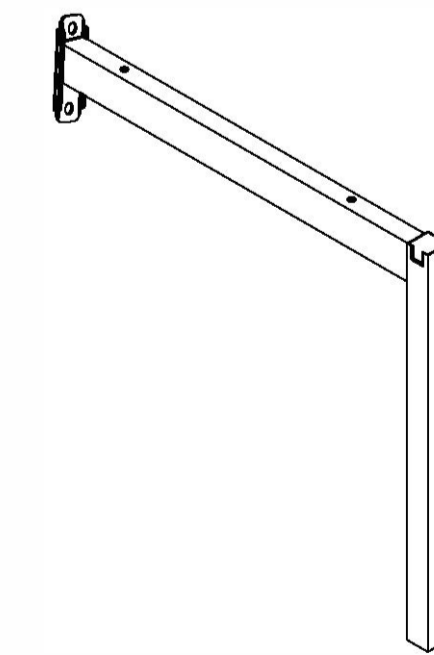
G:Desk Top  
1PC



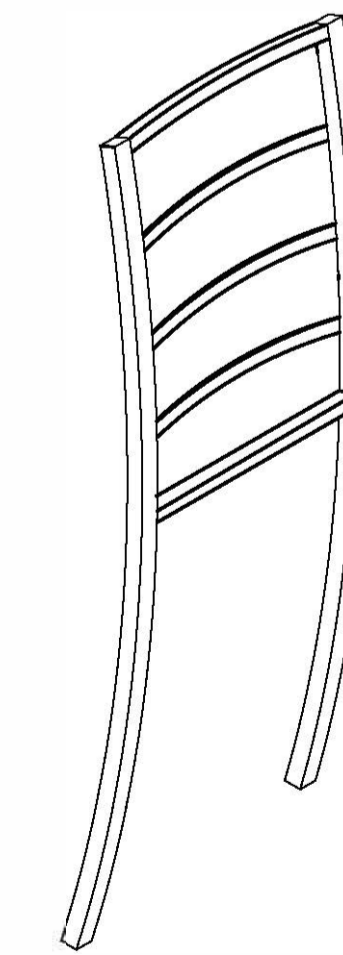
H:Desk Shelf  
2PCS



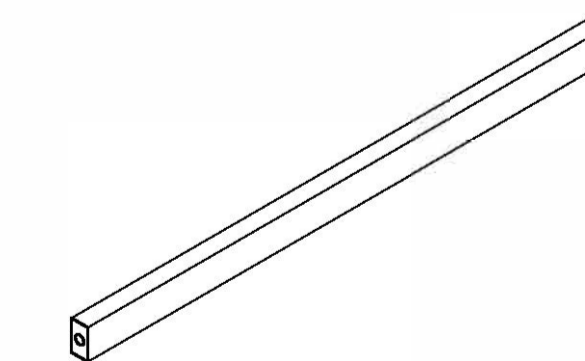
I:Chair Leg Frame,  
Left  
2PCS



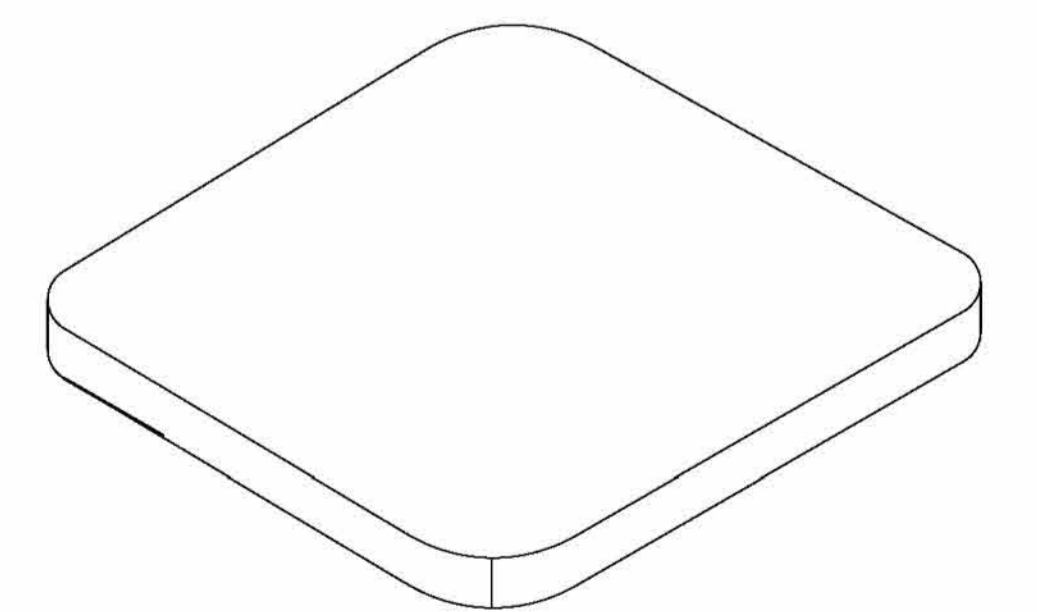
J:Chair Leg Frame,  
Right  
1PC



K:Chair Back  
1PC



L:Chair Rail  
1PC



M:Seat Cushion  
1PC

### HARDWARE LIST

N		Bolt	1/4"*43mm	14pcs
O		Screw	M5*38mm	16pcs
P		Screw	M5*56mm	4pcs
Q		Bolt	1/4"*19mm	10pcs
R		L-Allen Key	4mm	1pcs

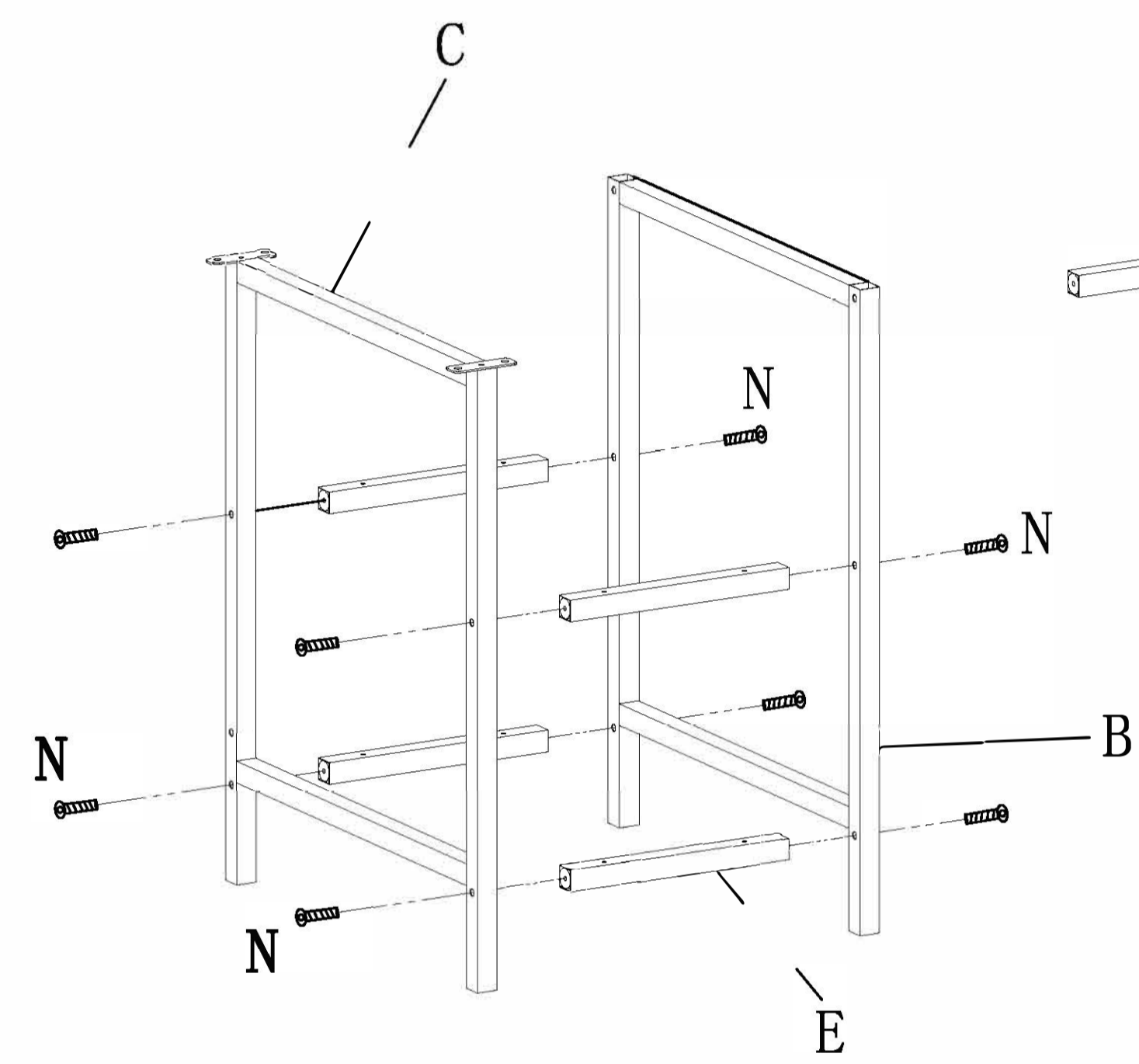


# ASSEMBLY INSTRUCTION

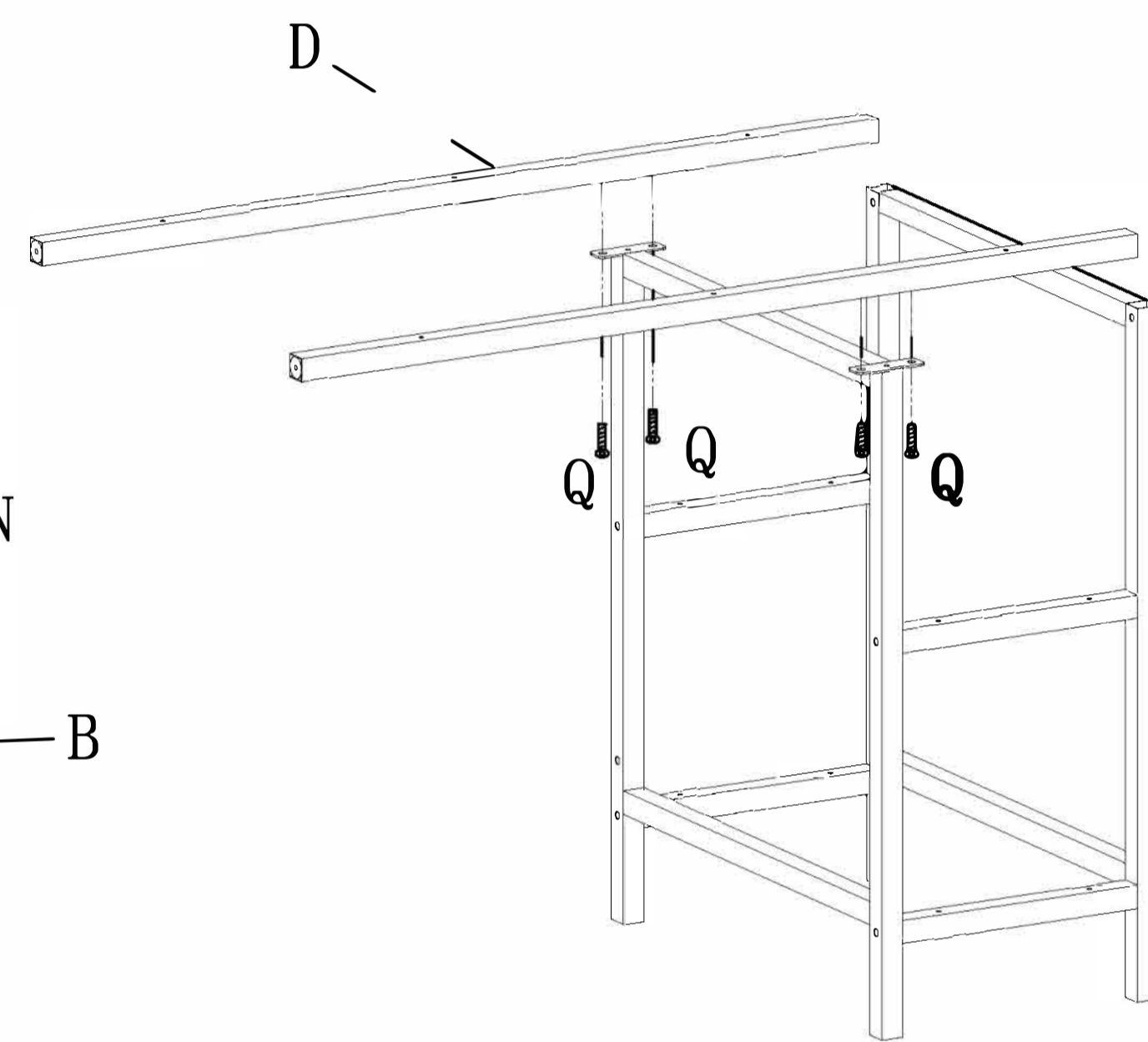
## ITEM#: 210H4514-15

### WRITING DESK:

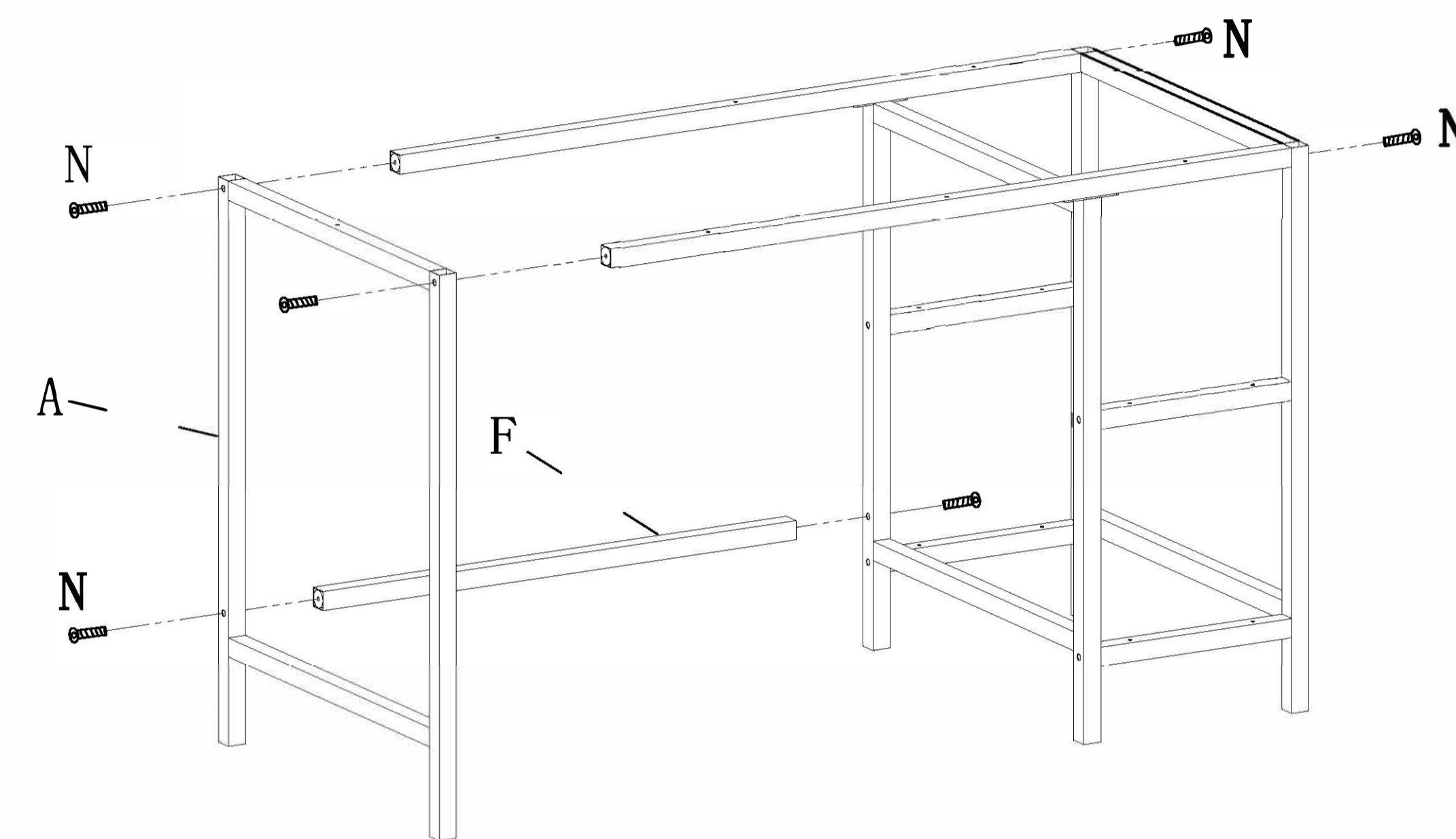
STEP 1



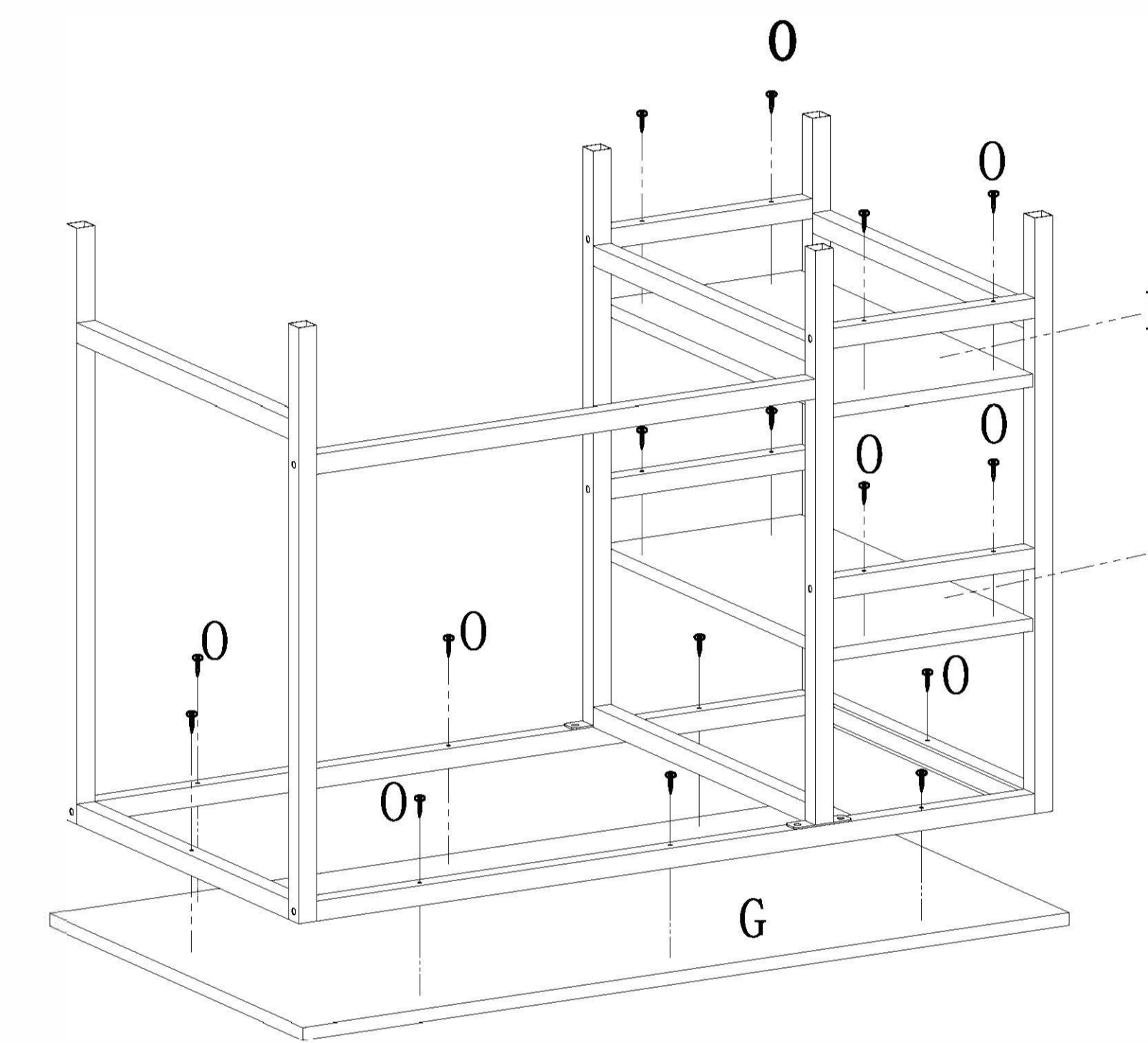
STEP 2



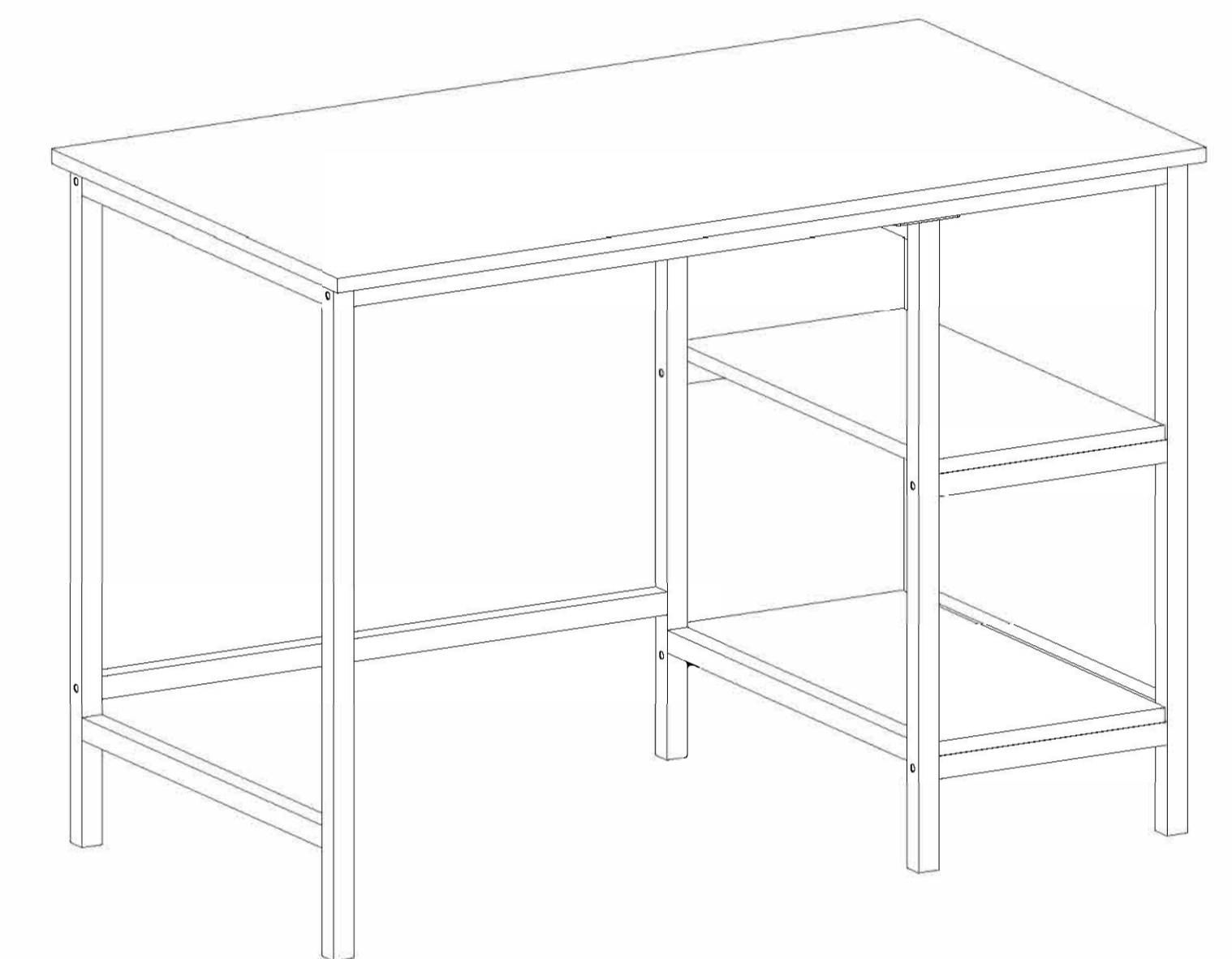
STEP 3



STEP 4

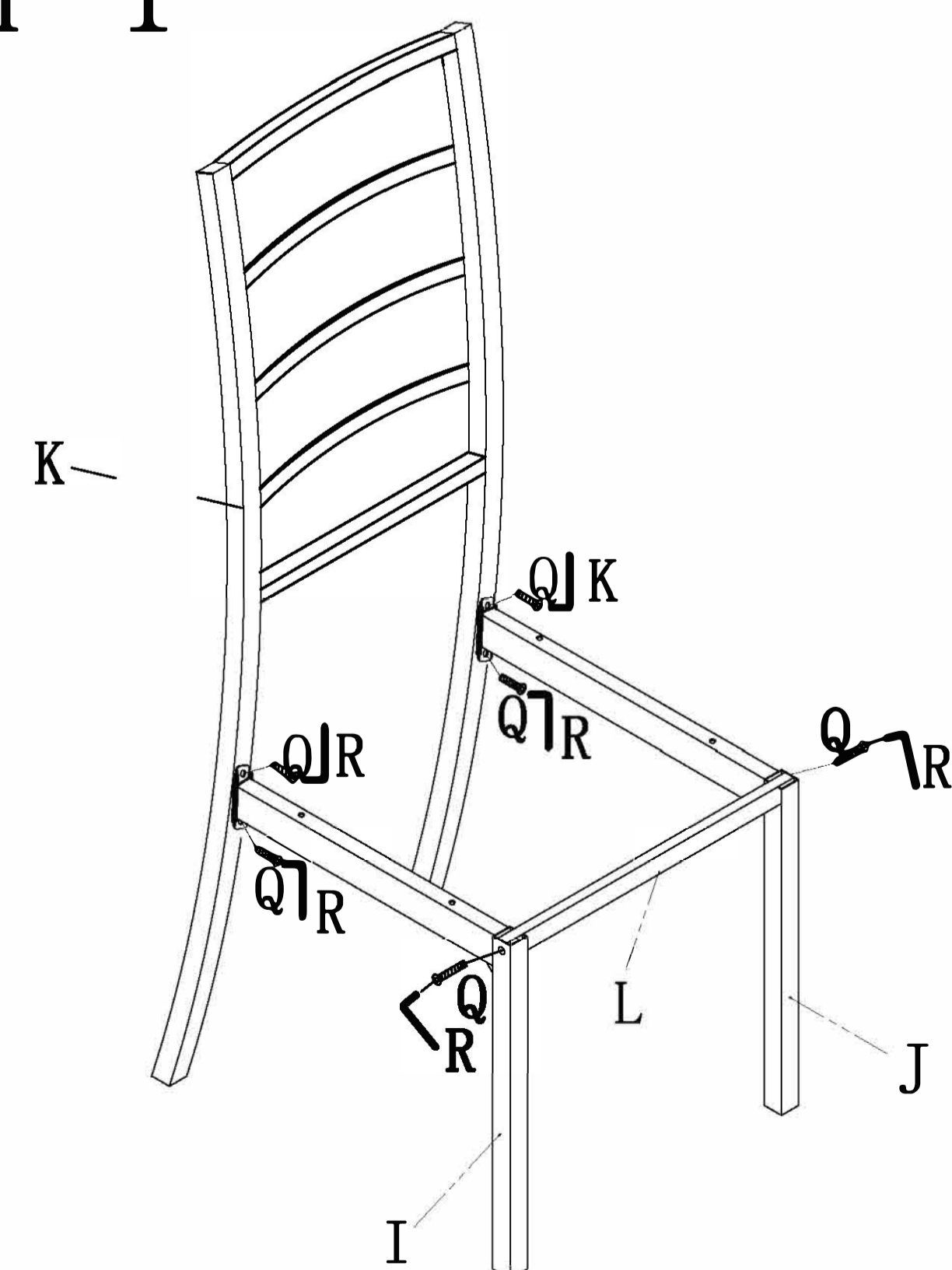


COMPLETED

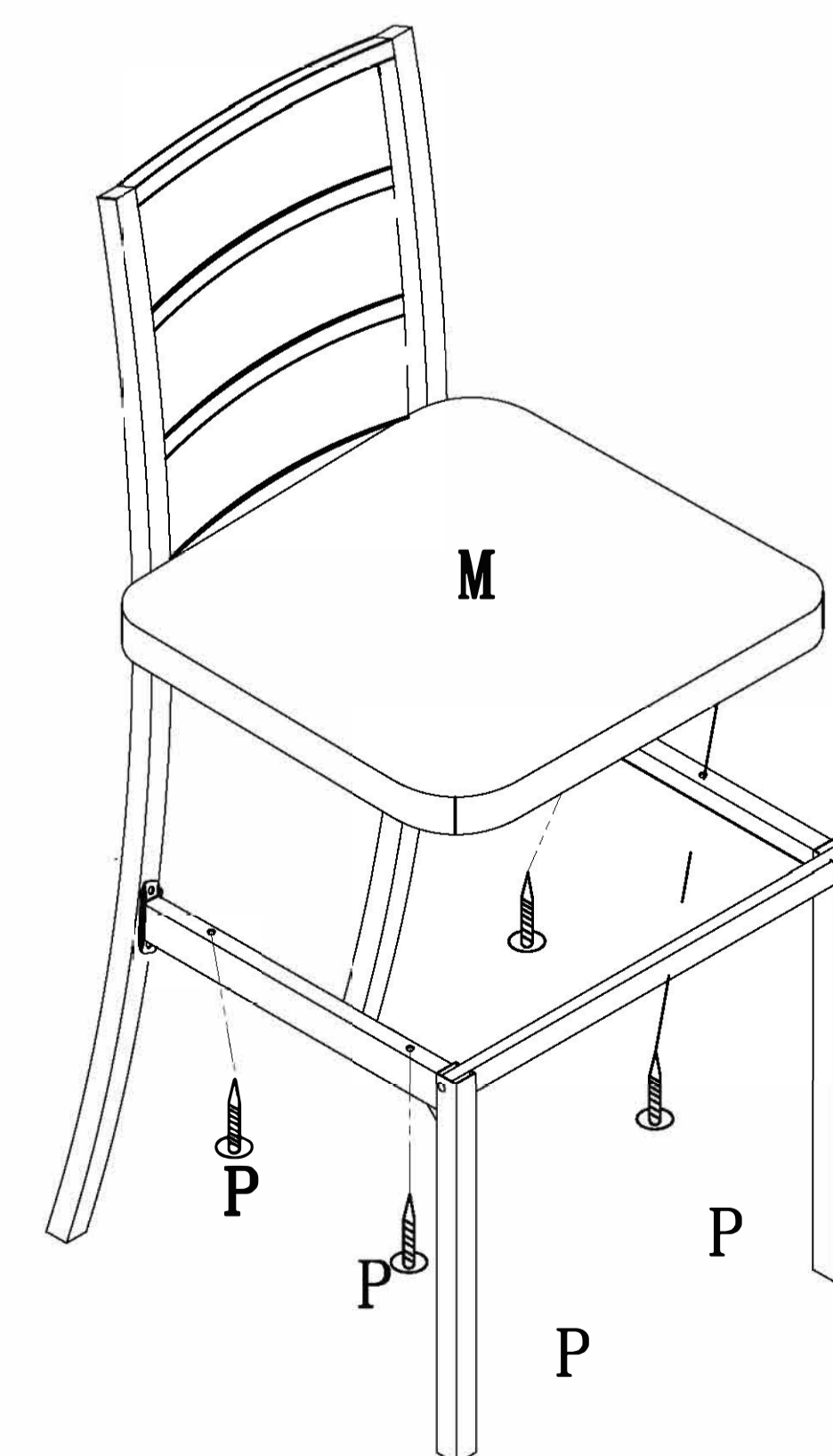


### CHAIR:

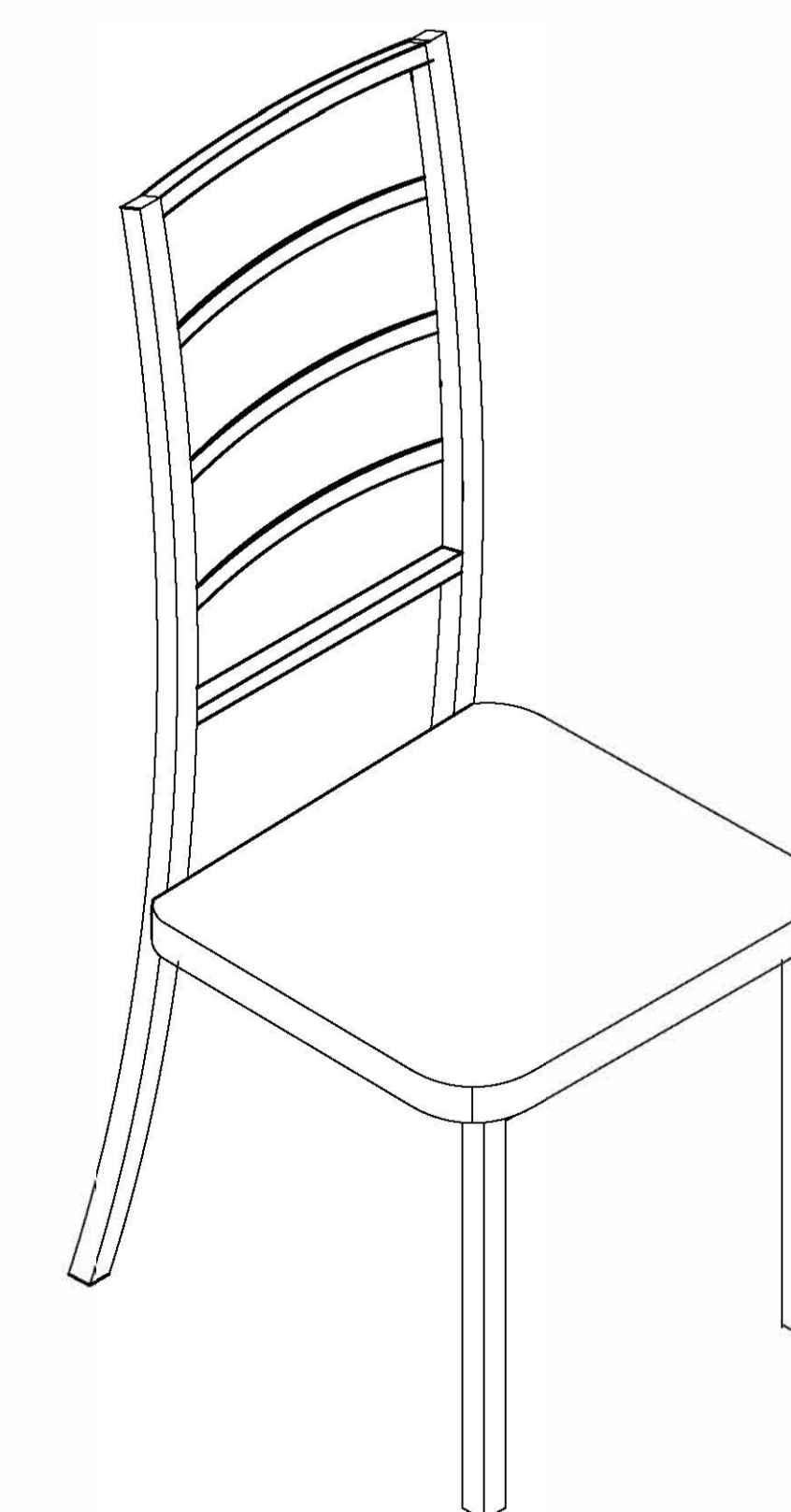
STEP 1



STEP 2



COMPLETED



 For items use on wooden floor, hard surfaces or carpets, it is recommended to Install protective pads under all legs and supports to avoid/prevent from damages/scratches and discoloration.