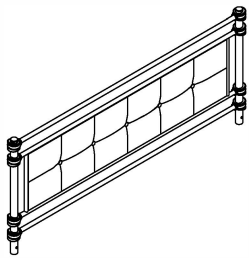
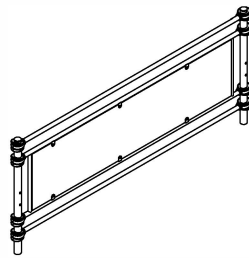


## PART LIST:



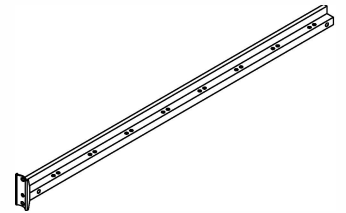
A:Headboard  
x 1pc



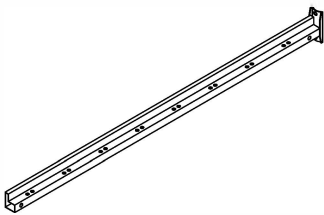
B:Footboard  
x 1pc



C:Headboard support legs  
x 2pcs



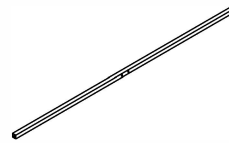
F:Rail Section (1)  
x 2pcs



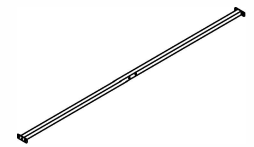
G:Rail Section (2)  
x 2pcs



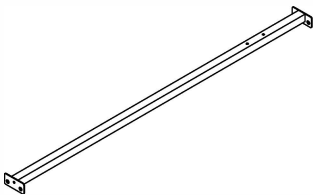
H:Rail Support Leg  
x 2pcs



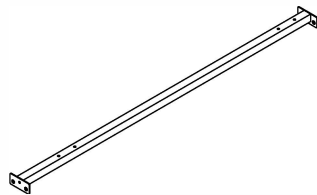
I:Front/Rear Support Bar  
x 2pcs



J:Center support Bar  
x 1pc



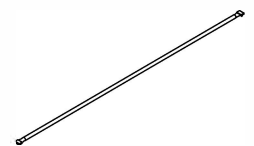
K:Front Center Rail  
x 1pc



L:Rear Center Rail  
x 1pc



M:Center Support Legs  
x 3pcs



N: Slat with Connectors  
x 16pcs

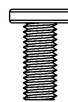
## HARDWARE LIST:



1: Bolt 1/4\*46mm  
x8pcs



2: Bolt 1/4\*36mm  
x2pcs



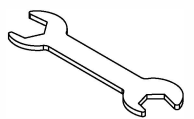
3: Bolt 1/4\*16mm  
x22pcs



4: Nut  
x6pcs



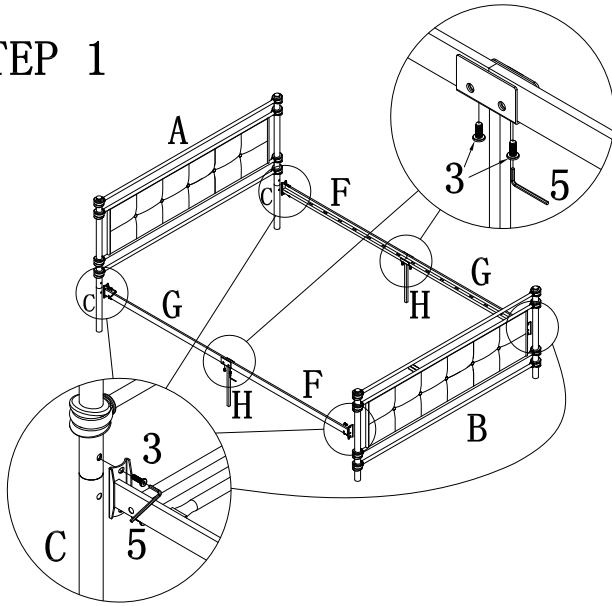
5: Allen Key  
x1pc



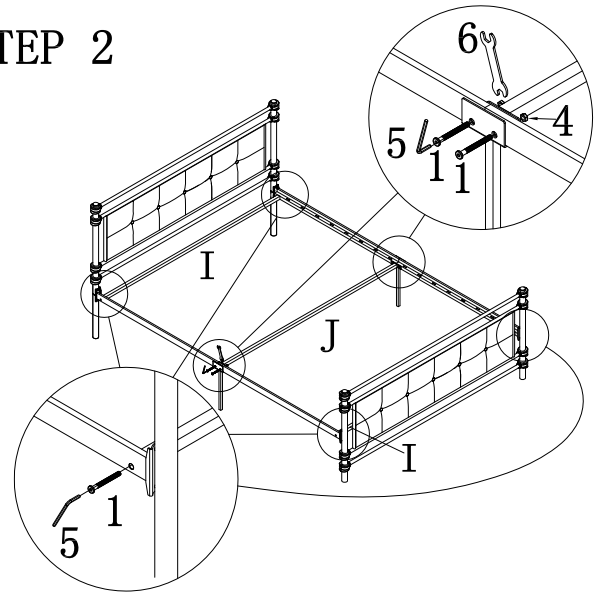
6: Wrench  
x1pc

Note: Please do not tighten all bolts until the bed is assembled completely.

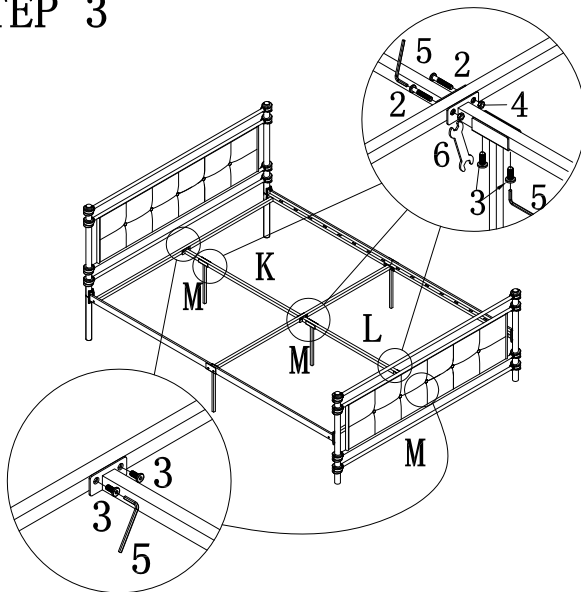
STEP 1



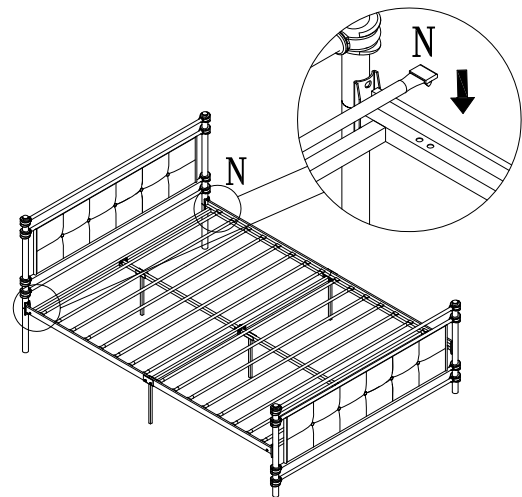
STEP 2



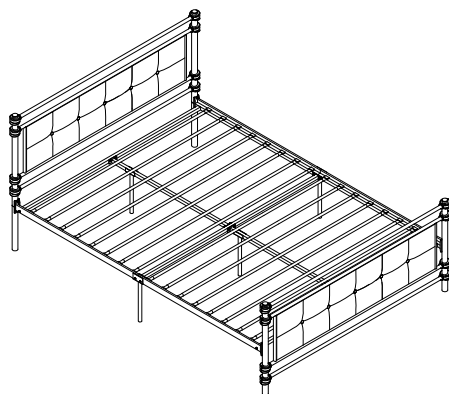
STEP 3



STEP 4



COMPLETED



For items use on wooden floor, hard surfaces or carpets, it is recommended to install protective pads under all legs and supports to avoid/prevent from damages/scratches and discoloration.