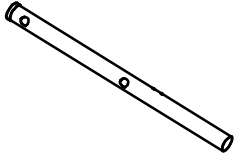


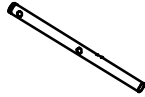
# ASSEMBLY INSTRUCTION

ITEM#: 210B2021FW-1

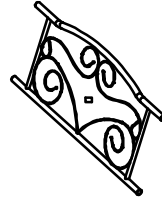
## PART LIST:



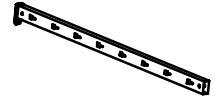
A:LSF/RSF Headboard Post 2PCS



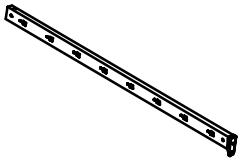
B:LSF/RSF Footboard Post 2PCS



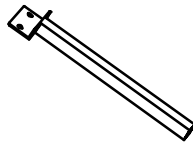
E:Headboard/Footboard 2PCS



F:Rail section(1) 2PCS



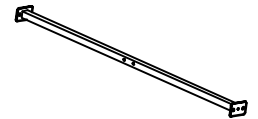
G:Rail section(2) 2PCS



H:Rail Support Leg 2PCS



I:Front Support Bar 2PCS



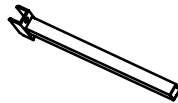
J:Center Support Bar 1PC



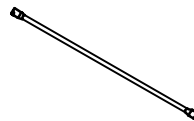
K:Front center rail 1PC



L:Rear center rail 1PC



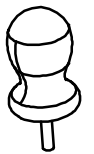
M:Center Support Legs 3PCS



N:Slat 16PCS



O:Slat Connector 32PCS



P:Finial 4PCS

## HARDWARE LIST:

Q\*22PCS



1/4\*13MM

R\*10PCS



1/4\*32MM

S\*10PCS



1/4

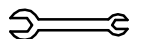
T\*8PCS



1/4\*55MM



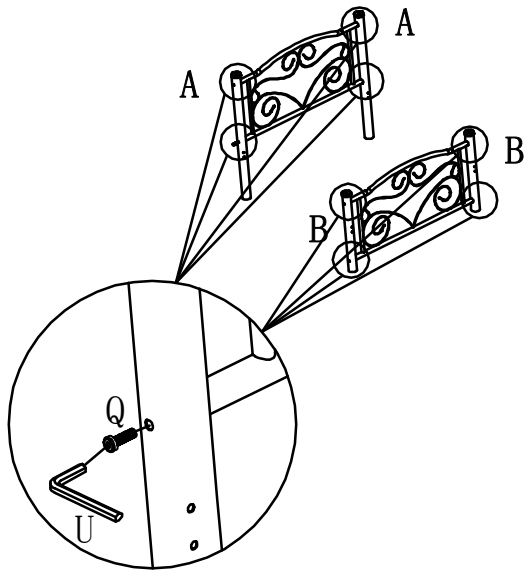
U\*1PC



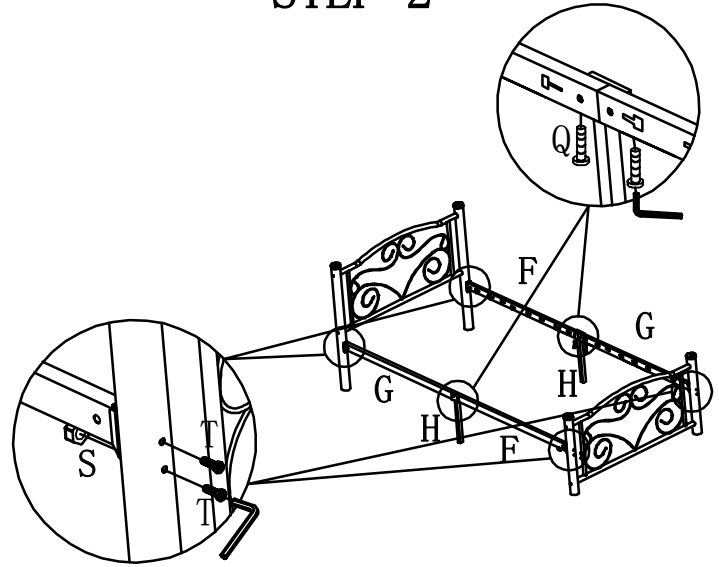
V\*1PC

Note: Pls do not tighten all bolts until the bed is assembled completely

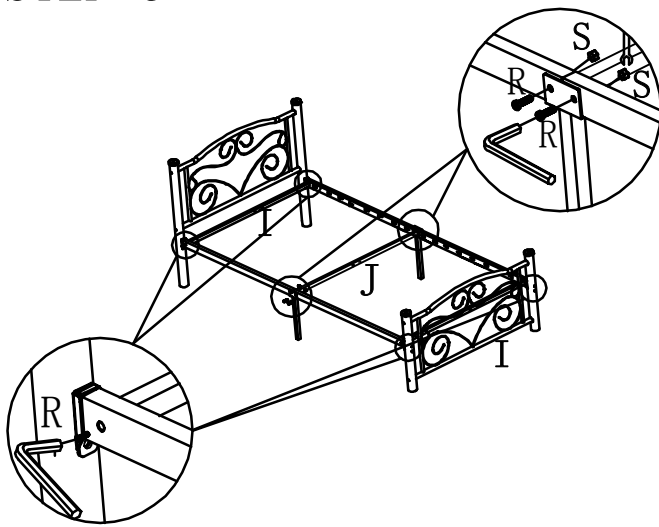
STEP 1



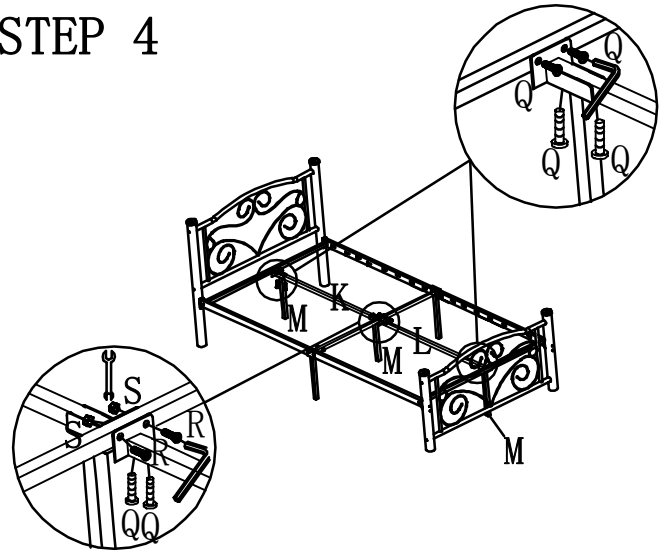
STEP 2



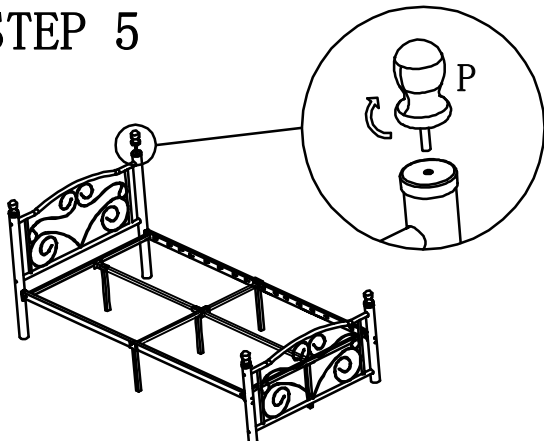
STEP 3



STEP 4



STEP 5



STEP 6

