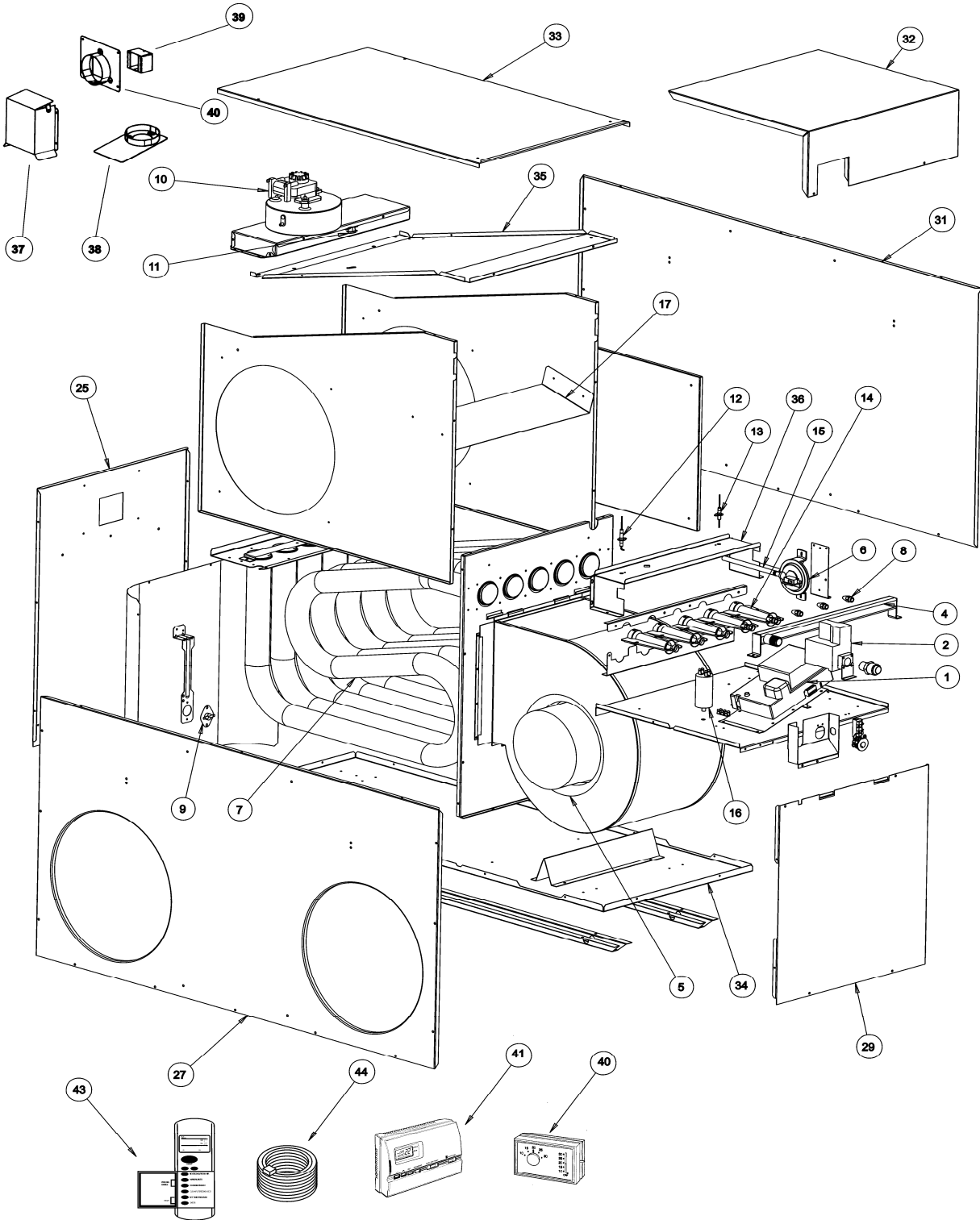


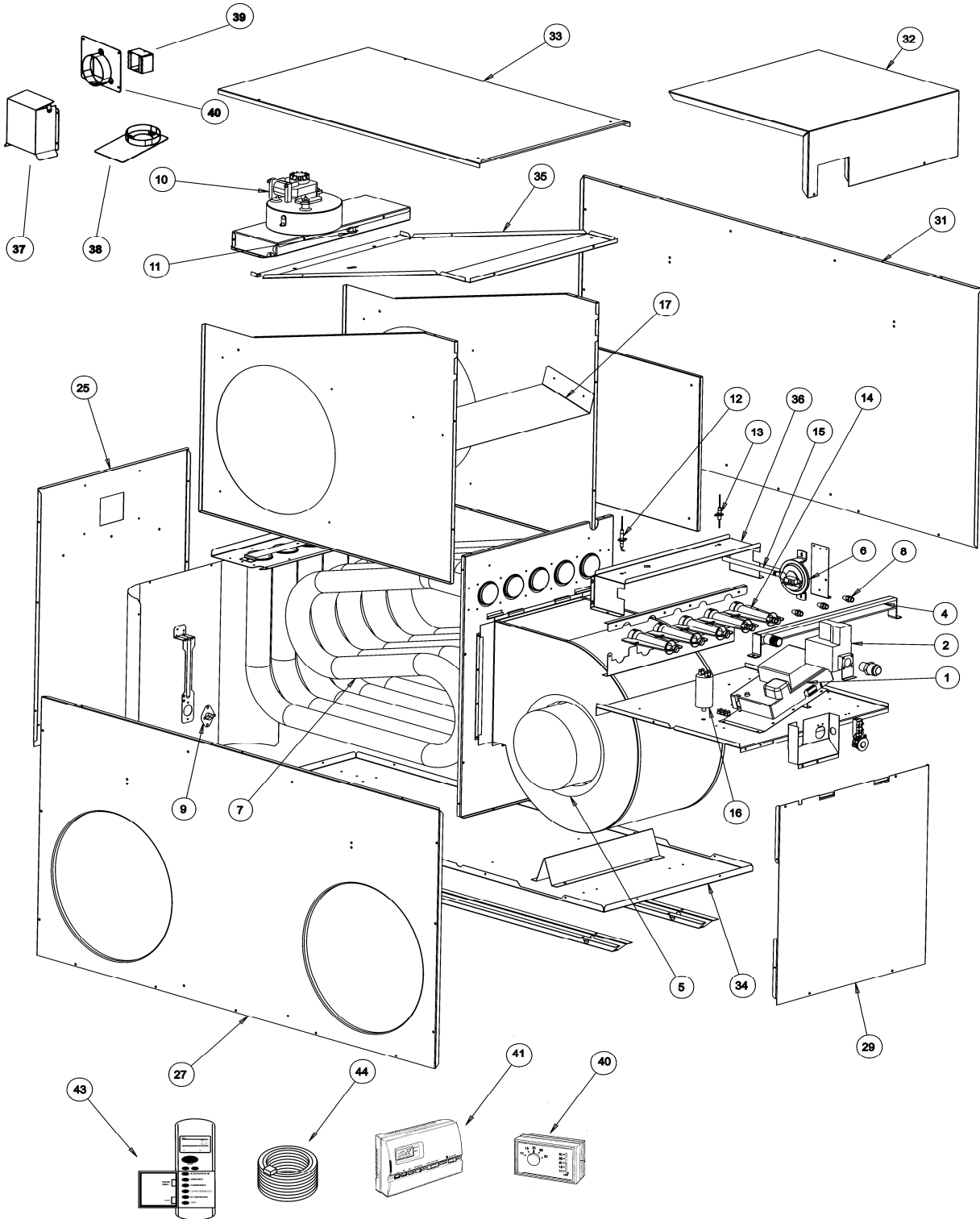
Date Issued 1-Mar-15	Product Section Details Pyrox by Celair - Mid Efficiency Ducted Gas Heating	Section No H9.03
Issue Status D	Models: 14Kw Units, 20, 30, PCME/PCMI 14, 20, 30 P3, P4 (Sections 9.04, 9.05 for panels and controls)	Page 1



Date Issued 1-Mar-15	Product Section Details Pyrox by Celair - Mid Efficiency Ducted Gas Heating	Section No H9.03
Issue Status D	Models: 14Kw Units, 20, 30, PCME/PCMI 14, 20, 30 P3, P4 (Sections 9.04, 9.05 for panels and controls)	Page 2

ITEM NUMBER	DESCRIPTION	PART NUMBER	COMMENTS
1	CONTROL BOARD BASIC 2008	5311225sp	NLA
	CONTROL BOARD MOD 2008	5311230sp	MODULATING - NLA
	CONTROL BOARD ZONE SERIES2/3	5311213SP	MODULATING
	TRANSFORMER 240/24V AC	5311627SP	MODULATING
	CONT PNE->TYT 3 STR CH RF NAV	5311260SP	3 Star
	CONT PNE->TYT 3 STR CH LV NAV	5311261SP	3 Star
	CONT PNE->TYT 3 STR LV SLIM/L	5311262SP	3 Star
	CONT PNE->TYT 3 STR ADDNL KT	5311263SP	3 Star
	CONT PNE->TYT 4 STR CH RF NAV	5311270SP	4 Star
	CONT PNE->TYT 4 STR CH LV NAV	5311271SP	4 Star
	CONT PNE->TYT 4* CH ADDNL KT	5311273SP	4 Star
2	VAVLE SIGMA 840	5310701SP	NON MODULATING
	VAVLE SIGMA 845 MODULATING	5310702SP	MODULATING
3	SERVICE LEAD	3801601SP	
4	BURNER MANIFOLD 4BNR	5310916SP	14KW EXTERNAL
	BURNER MANIFOLD 5BNR	5320916SP	20KW EXTERNAL
	BURNER MANIFOLD 6BNR	5330916SP	30KW EXTERNAL
5	FAN ASSY 250W VARIABLE SPD	9241851SP	14 & 20KW
	FAN ASSY 600W VARIABLE SPD	9243802SP	30KW
6	JET NG 2.0MM (QTY 10)	0081020SP	
8	PRESSURE SWITCH 140pa INT	5001205SP	NG ONLY 14KW
	JET NG 2.25MM	0081021SP	NG only 20,30KW ONLY
9	THERMOSTAT OUTLET AIR	9041916SP	NG 20,30KW ONLY
10	FAN ASSY COMBUSTION INT	5310801SP	14 INTERNAL ONLY
	FAN ASSY COMBUSTION EXT	5310871SP	ALL EXTERNALS, 20, 30 INTERNALS ONLY
11	THERMOSTAT SWITCH CUTOUT	2055821SP	
12	ELECTRODE IGNITOR	9041912SP	
13	FLAME SENSOR-50MM PROBE	5011635SP	
14	BURNER BECKET IN SHOT	5310601SP	
15	TUBE COMBUSTION FAN	5310907SP	
16	CAPACITOR 8uf 4 MALE TERM.	9041888SP	
17	PANEL AIR GUIDE 4BNR S2	5312030SP	14KW INTERNAL
	PANEL AIR GUIDE 5BNR S2	5322030SP	20KW INTERNAL
	PANEL AIR GUIDE 6BNR	5332030SP	30KW INTERNAL
25	PANEL FRONT	5310136SP	14KW INTERNAL
	PANEL FRONT	5320136SP	20KW INTERNAL
	PANEL FRONT	5330136SP	30KW INTERNAL
	PANEL FRONT EXT 3&4 BNR	5310176SP	14KW EXTERNAL
	PANEL FRONT EXT 5 BNR	5320176SP	20KW EXTERNAL
	PANEL FRONT	5330186SP	30KW EXTERNAL
27	PANEL SIDE RH INT 3&4 BNR	5310129SP	14KW INTERNAL
	PANEL SIDE LH INT 3&4 BNR	5310128SP	20KW INTERNAL
	PANEL SIDE LH	5320128SP	30KW INTERNAL
	PANEL SIDE LH EXT 3&4 BNR	5310178SP	14 & 20KW EXTERNAL

Date Issued 1-Mar-15	Product Section Details Pyrox by Celair - Mid Efficiency Ducted Gas Heating	Section No H9.03
Issue Status D	Models: 14Kw Units, 20, 30, PCME/PCMI 14, 20, 30 P3, P4 (Sections 9.04, 9.05 for panels and controls)	Page 3



Date Issued 1-Mar-15	Product Section Details Pyrox by Celair - Mid Efficiency Ducted Gas Heating	Section No H9.03
Issue Status D	Models: 14Kw Units, 20, 30, PCME/PCMI 14, 20, 30 P3, P4 (Sections 9.04, 9.05 for panels and controls)	Page 4

ITEM NUMBER	DESCRIPTION	PART NUMBER	COMMENTS
29	PANEL SIDE LH EXT 5 BNR	5320178SP	30KW EXTERNAL
	PANEL REAR	5300127SP	14KW INTERNAL
	PANEL REAR INT 5 BNR	5320127SP	20KW INTERNAL
	PANEL REAR	5330127SP	30KW INTERNAL
	PANEL REAR EXT 3&4 BNR	5310162SP	14KW EXTERNAL
	PANEL REAR EXT 5 BNR	5320162SP	20KW EXTERNAL
	PANEL REAR	5330162SP	30KW EXTERNAL
31	PANEL SIDE RH INT 3&4 BNR	5310129SP	14KW INTERNAL
	PANEL SIDE RH	5320129SP	20KW INTERNAL
	PANEL SIDE RH	5320129SP	30KW INTERNAL
	PANEL SIDE RH EXT	5310179SP	EXTERNAL UNITS
32	PANEL ACCESS INT 3&4 BNR	5310113SP	14KW INTERNAL
	PANEL ACCESS	5320113SP	20KW INTERNAL
	PANEL ACCESS	5330113SP	30KW INTERNAL
	PANEL ACCESS EXT 3&4 BNR	5310183SP	14KW EXTERNAL
	PANEL ACCESS EXT 5 BNR	5320183SP	20KW EXTERNAL
	PANEL ACCESS	5330183SP	30KW EXTERNAL
33	PANEL TOP INT 3&4 BNR	5310114SP	14KW INTERNAL
	PANEL TOP INT 5 BNR	5320114SP	20KW INTERNAL
	PANEL TOP	5330114SP	30KW INTERNAL
	PANEL TOP EXT 3&4 BNR	5310184SP	14KW EXTERNAL
	PANEL TOP EXT 5 BNR	5320184SP	20KW EXTERNAL
	PANEL TOP	5330184SP	30KW EXTERNAL
34	PANEL BASE 3&4 BNR	5310105SP	14KW
	PANEL BASE 5 BNR	5320105SP	20KW
	PANEL BASE	5330105SP	30KW
35	PANEL SEPARATION PLATE	5310130SP	14KW
	PANEL SEPARATION PLATE 5BR	5320130SP	20KW
	PANEL SEPARATION PLATE	5330130SP	30KW
36	PANEL IGNITOR PLATE 3&4BNR	5312006SP	14KW
	PANEL IGNITOR PLATE 5BNR	5322006SP	20KW
	PANEL IGNITOR PLATE 6BNR	5332006SP	30KW
	ACCESSORIES		
37	PANEL FLUE OUTLET COVER	5310370SP	EXTERNALS
38	FLUE ADAPTOR	5310320SP	INTERNALS
39	PANEL COMB. FAN EXTENSION	5310810SP	EXTERNALS
40	FLUE ADAPTOR EXTERNAL 4"	5311306SP	OPTIONAL FOR FLUING AN EXTERNAL UNIT
41	THERMOSTAT MAN WHT ROGERS	5311021SP	PCI / PCE
42	THERMOSTAT PYROX/CELAIR PRO		
43	THERMOSTAT ELECTRONIC PNE		
44	LOOM LOW VOLTAGE 20M		
	ADD-ON COOLING KIT		