



REPLACEMENT PARTS MANUAL

Date Issued 17-Jun-16	Product Section Details Mid-Efficiency Ducted Gas central Heating EXTERNAL MODELS	Section No 8.09
Issue Status G		Page

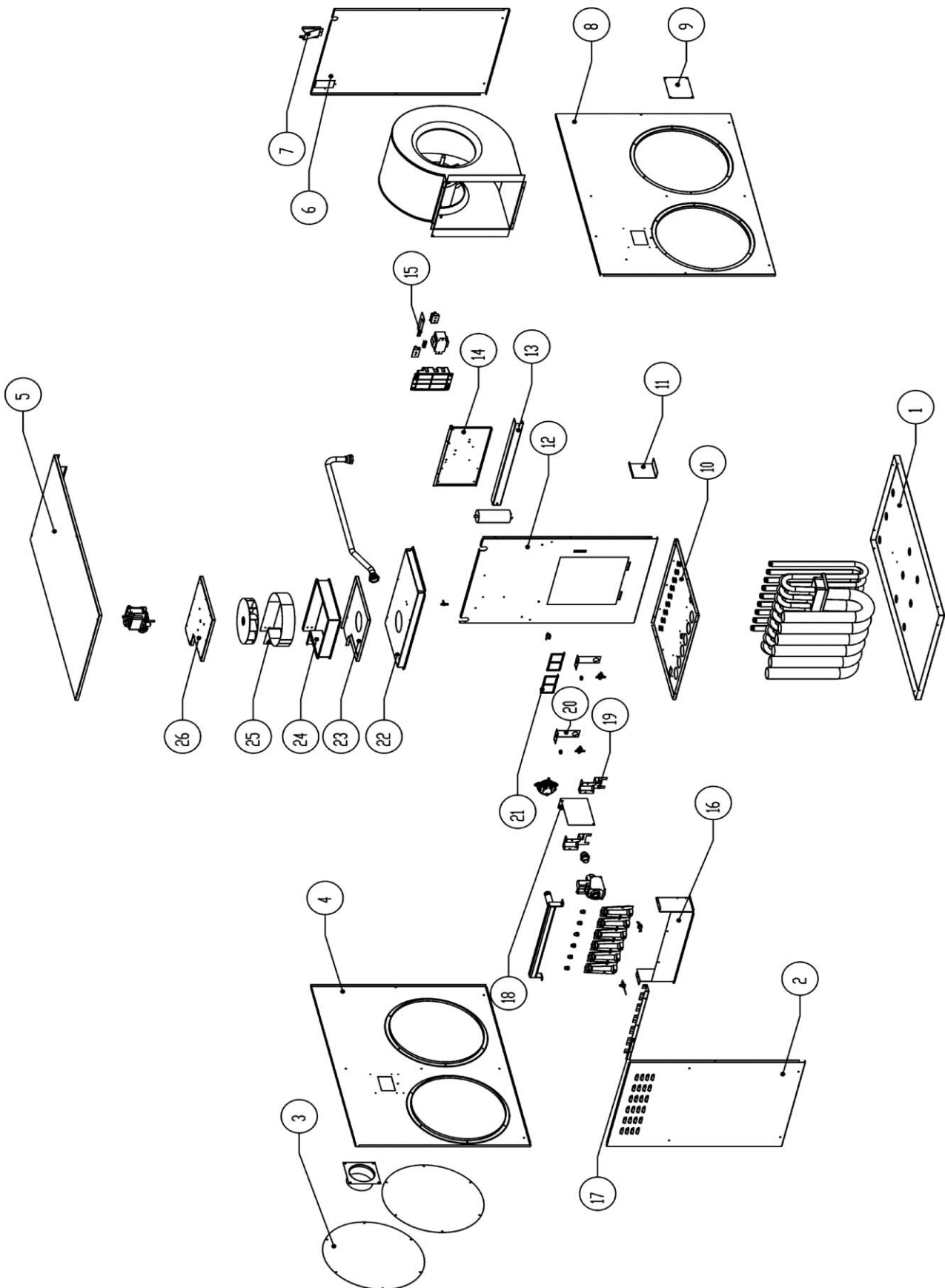


Products	MB3 14E (60MJ), 20E (80MJ), 25E (100MJ), 30E (120MJ) MB4 14E (60MJ), 20E (80MJ), 25E (100MJ), 30E (120MJ), 30E XA (120MJ XA)
5430062	MB3 14E 14kW EXT NG 3 STAR
5440062	MB3 20E 20kW EXT NG 3 STAR
5450062	MB3 25E 25kW EXT NG 3 STAR
5460062	MB3 30E 30kW EXT NG 3 STAR
5430082	MB4 14E 14KW EXT NG 4 STAR
5440082	MB4 20E 20KW EXT NG 4 STAR
5450082	MB4 25E 25KW EXT NG 4 STAR
5460082	MB4 30E 30KW EXT NG 4 STAR
5460083	MB4 30E X/A 30KW EXT NG 4 STAR



REPLACEMENT PARTS MANUAL

Date Issued 17-Jun-16	Product Section Details Mid-Efficiency Ducted Gas Central Heating	Section No 8.09
Issue Status G	Mid-Efficiency Ducted Gas Central Heating MB3,MB4 External	Page 1





REPLACEMENT PARTS MANUAL

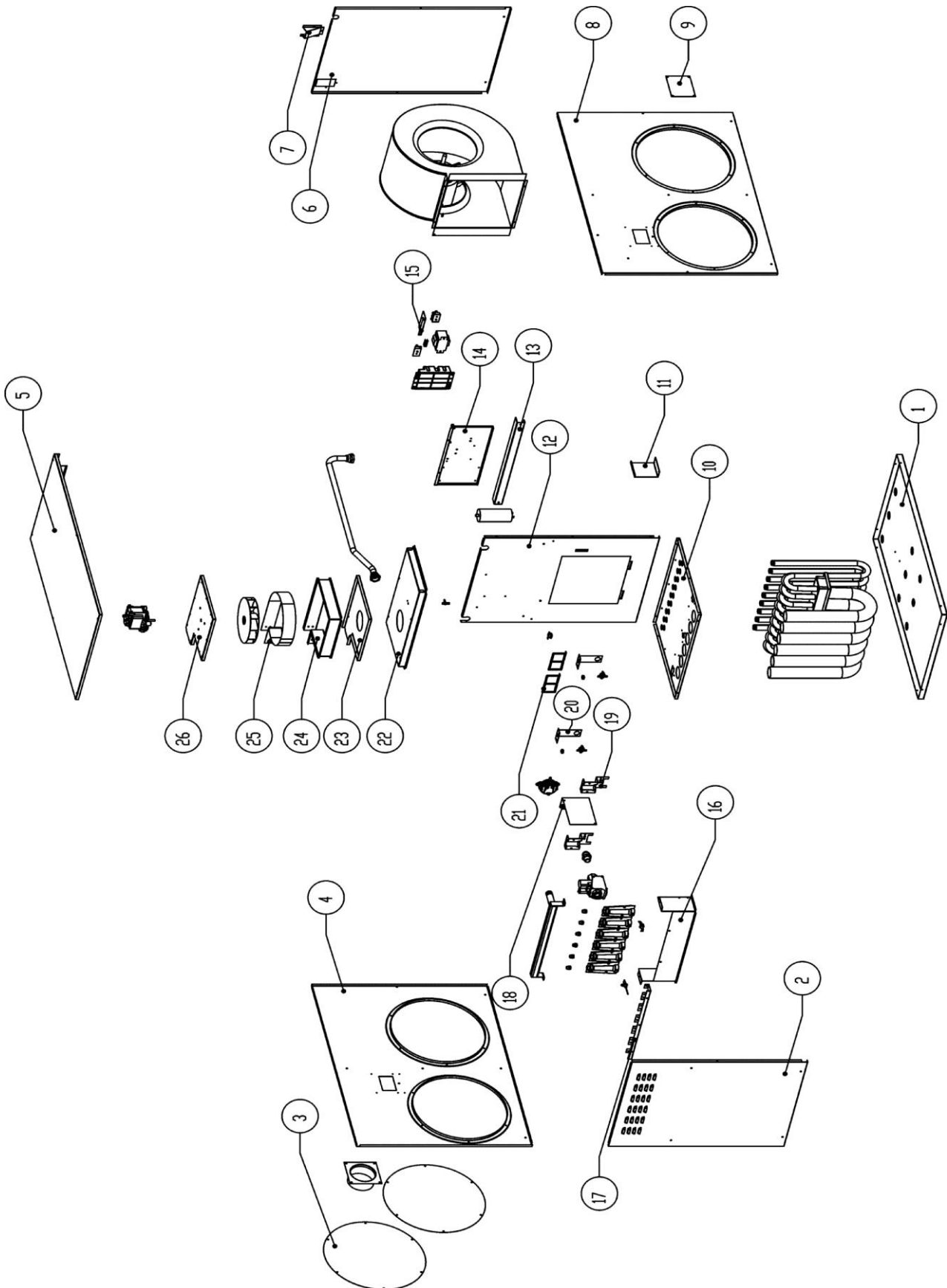
Date Issued 17-Jun-16	Product Section Details Mid-Efficiency Ducted Gas Central Heating	Section No 8.09
Issue Status G	MB3,MB4 External 14kW, 20kW, 20kW X/A, 25kW, 30kW & 30kW X/A	Page 2

ITEM NUMBER	DESCRIPTION	PART NUMBER	COMMENTS
1	PANEL BASE EXT	5440165SP	14kW, 20kW
	PANEL BASE EXT	5460165SP	30kW
	PANEL FRONT EXT	5440168SP	14kW, 20kW
	PANEL FRONT EXT	5460168SP	30kW
	COVER PLATE-12" EXT	5110128SP	14kW, 20kW
	COVER PLATE-12" EXT	5110138SP	30kW
	PANEL RH SIDE EXT	5440169SP	14kW, 20kW
	PANEL RH SIDE EXT	5460169SP	30kW
	LID EXT	5440167SP	14kW, 20kW
	LID EXT	5460167SP	30kW
	PANEL REAR EXT	5440152SP	14kW, 20kW
	PANEL REAR EXT	5460152SP	30kW
		BRACKET WATER SHIELD EXT	5440108SP
8	PANEL LH SIDE EXT	5440171SP	14k, 20kW
	PANEL LH SIDE EXT	5460171SP	30kW
	PLATE FLUE COVER EXT	5440185SP	14kW, 20kW
10	PANEL SEPERATION-MB3	5430172SP	14kW
	PANEL SEPERATION-MB4	5430122SP	14KW
	PANEL SEPERATION-MB3	5440172SP	20KW
	PANEL SEPERATION-MB4	5440122SP	20KW
	PANEL SEPERATION-MB3	5460172SP	30KW
	PANEL SEPERATION-MB4	5460122SP	30KW
	BRACKET FAN SUPPORT	5442006SP	14KW, 20KW
	BRACKET FAN SUPPORT	5462006SP	30KW
	PANEL FAN MOUNT EXT	5440164SP	14KW, 20KW
	PANEL FAN MOUNT EXT	5460164SP	30KW
	BRACKET FAN PLATE STIFFENER	5442005SP	14KW, 20KW
	BRACKET FAN PLATE STIFFENER	5462005SP	30KW
	PANEL ELECTRICS MB3/MB4	5440126SP	
15	BRACKET CAPACITOR	5442001SP	
16	BOX BURNER	5430130SP	14KW
	BOX BURNER	5440130SP	20KW
	BOX BURNER	5460130SP	30KW
	BRACKET BNR MOUNTING	5432036SP	14KW
	BRACKET BNR MOUNTING	5442036SP	20KW
	BRACKET BNR MOUNTING	5112037SP	30KW
	BRACKET GAS VALVE	5442020SP	
19	BRACKET IGNITER	5442004SP	
20	BRACKET OVERTEMP EXT	5442009SP	
21	FLAME SHIELD	5442010SP	20KW, 30KW
22	BOX COMBUSTION	5430131SP	14KW
	BOX COMBUSTION	5440131SP	20KW
	BOX COMBUSTION	5460131SP	30KW
23	BASE COMBUSTION FAN	5440802SP	



REPLACEMENT PARTS MANUAL

Date Issued 17-Jun-16	Product Section Details Mid-Efficiency Ducted Gas Central Heating	Section No 8.09
Issue Status G	MB3,MB4 External 14kW, 20kW, 20kW X/A, 25kW, 30kW & 30kW X/A	Page 3





REPLACEMENT PARTS MANUAL

Date Issued 17-Jun-16	Product Section Details Mid-Efficiency Ducted Gas Central Heating	Section No 8.09
Issue Status G	MB3,MB4 External 14kW, 20kW, 20kW X/A, 25kW, 30kW & 30kW X/A	Page 5

22A



22B



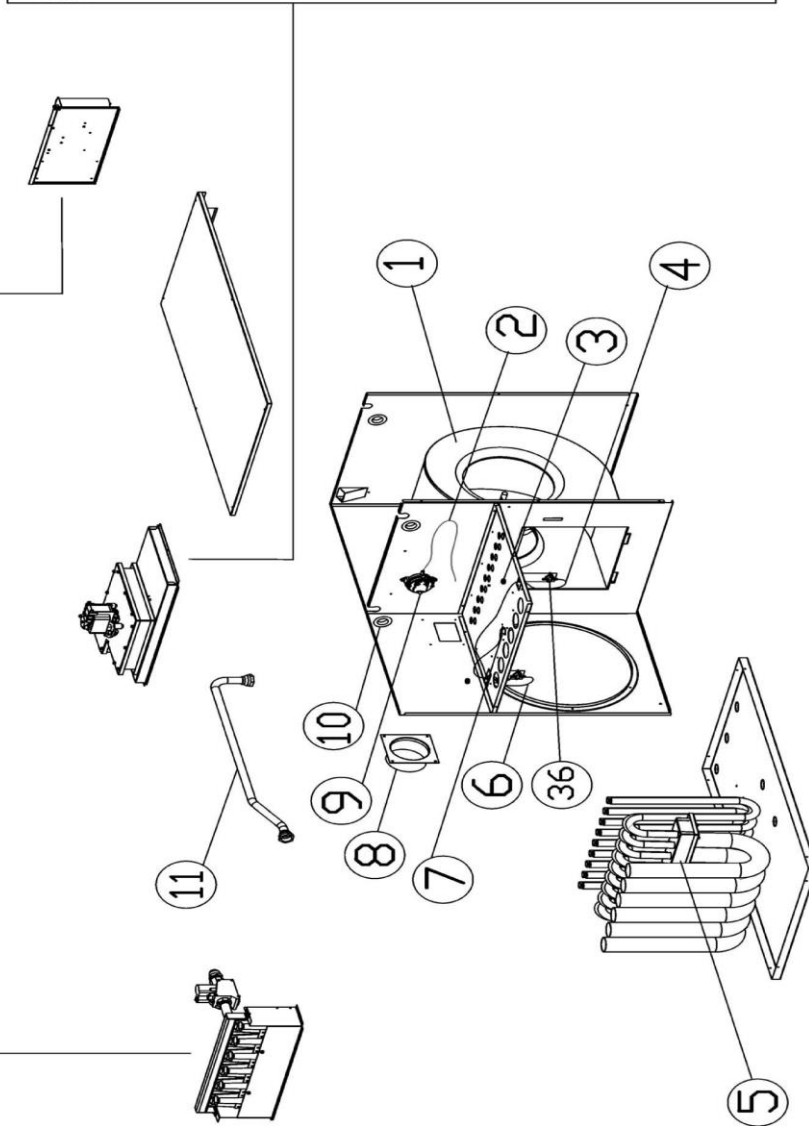
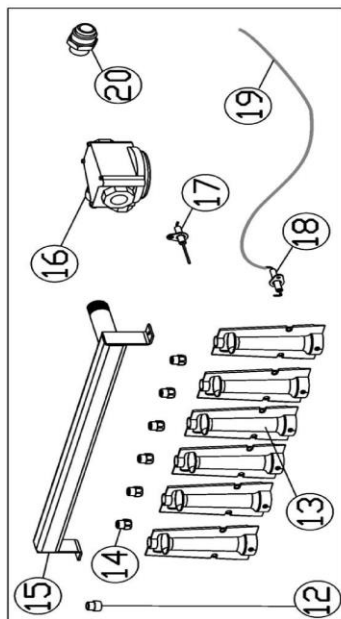
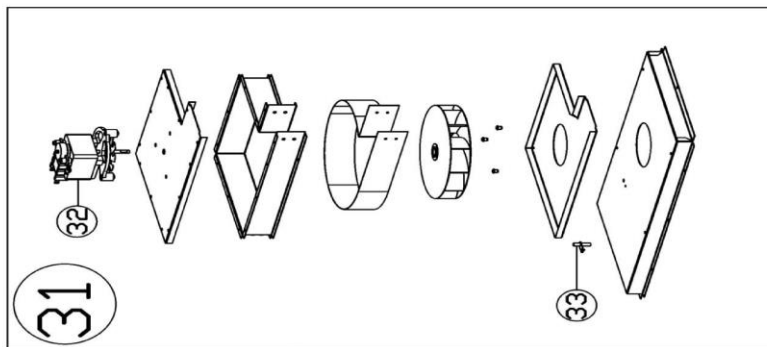
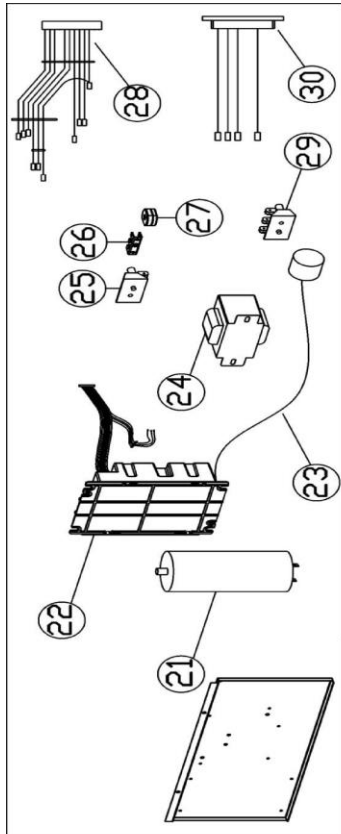
22C



22D



22E





REPLACEMENT PARTS MANUAL

Date Issued 17-Jun-16	Product Section Details Mid-Efficiency Ducted Gas Central Heating	Section No 8.09
Issue Status G	MB3,MB4 External 14kW, 20kW, 20kW X/A, 25kW, 30kW & 30kW X/A	Page 6

ITEM NUMBER	DESCRIPTION	PART NUMBER	COMMENTS
1	FAN 74 LAM 250W SINGLE SPEED	5430804SP	14KW, 20KW
	FAN 315W SINGLE SPEED	5430805SP	20KW EXTRA AIR
	FAN 600W SINGLE SPEED	9243802SP	30KW
	FAN 750W SINGLE SPEED	9263802SP	30KW EXTRA AIR
2	SILICONE RUBBER TUBE 4.7mm 1Dx9	5110931SP	
3	GROMMET-ART 2152B TYPE A3	0121542SP	
4	WIRE LINK - LONG	5431603SP	
5	HEAT EXCHANGER ASSY	5430305SP	14KW
	HEAT EXCHANGER ASSY	5440305SP	20KW
	HEAT EXCHANGER ASSY	5460305SP	30KW
6	WIRE LINK - SHORT	5431604SP	
7	OT SWITCH 120°C	5431606SP	
8	FLUE SPIGOT EXT	5440330SP	
9	PRESSURE SWITCH MB3/MB4	5431201SP	
	PRESSURE SWITCH MB4	5001205SP	
10	GROMMET-M0122-001	0121544SP	
11	PIPE VALVE INLET EXT	5440911SP	14kW, 20kW
	PIPE VALVE INLET EXT	5460911SP	30KW
12	PLUG - MANIFOLD	9041161SP	14kW
13	BNR BECKETT BV5 X756-1 W0118	5110601SP	
14	INJECTOR 2.15mm	0081049SP	
15	MANIFOLD 3BNR MB3/MB4	5430909SP	14KW
	MANIFOLD 4BNR MB3/MB4	5430910SP	20KW
	MANIFOLD 6BNR MB3/MB4	5110903SP	30KW
16	VALVE MB3 SIGMA 24V	5310704SP	INTERNAL FEMALE THREADS
	VALVE MB4 SIT 24V	5440702SP	INTERNAL FEMALE THREADS
	VALVE MB4 G1/2 24V	5440705SP	MALE THREADS
	VALVE ON/OFF MB3 SIT 24V	5440706SP	MALE THREADS
17	FLAME SENSOR	5441603SP	
18	IGNITER ELECTRODE	5441602SP	
19	IGNITER LEAD INSULATOR	5110932SP	
20	MALE REDUCER 3/4" - 1/2"	H6001107SP	
21	CAPACITOR 6µF	0160198SP	14KW
	CAPACITOR 15µF	904322SP	15KW
	CAPACITOR 20µF	0160177SP	20KW
22	CONTROL BOARD 3 STAR MB3	5441201SP	MB3 UNITS
	CONTROL BD MB4/5 (NO LOOM)	5431212SP	MB4 UNITS
22A	NAVIGATOR H/WIRED CONTROL	5431021SP	
22B	NAVIGATOR RF-REMOTE CONTROL	5431031SP	
22C	SLIMLINE CONTROL	5431011SP	MB3 UNITS
22D	RF TRANSCEIVER	5431032SP	MB4 UNITS
22E	LOOM WIRING LV 20MTR TEKLEK	6051619SP	
23	SERVICE LEAD	3801601SP	
24	TRANSFORMER 1.6A	5441604SP	



REPLACEMENT PARTS MANUAL

Date Issued 17-Jun-16	Product Section Details Mid-Efficiency Ducted Gas Central Heating	Section No 8.09
Issue Status G	MB3,MB4 External 14kW, 20kW, 20kW X/A, 25kW, 30kW & 30kW X/A	Page 8

ITEM NUMBER	DESCRIPTION	PART NUMBER	COMMENTS
25	TERMINAL BLOCK - SERVICE LEAD	2291647SP	
26	TERMINAL H19916 WAY EARTH	0162406SP	
27	GROMMET CORD H2097	0121534SP	
28	LOOM WIRING MB3	5431601SP	
	LOOM WIRING MB4	5431620SP	
29	TERMINAL BLOCK - SERVICE LEAD	2291647SP	
30	LOOM FAN MB3	5431602SP	
	LOOM FAN MB4	5431621SP	
31	COMBUSTION FAN KIT	5440801SP	
32	MOTOR COMBUSTION FAN TESONIC	5430806SP	
33	TAPPING PRESSURE MB3	5440912SP	
34	AIR DEFLECTOR END - MB4	5440206SP	14KW, 20KW
	AIR DEFLECTOR END - MB4	5460206SP	30KW
35	AIR DEFLECTOR SIDE - MB4	5440207SP	14KW, 20KW
	AIR DEFLECTOR SIDE - MB4	5460207SP	30KW
36	OT SWITCH 90°C	5431605SP	
37	AIR DEFLECTOR BASE - MB4	5440208SP	14KW, 20KW
	AIR DEFLECTOR BASE - MB4	5460208SP	30KW
38	AIR DEFLECTOR FILLER - MB4	5440209SP	14KW, 20KW
	AIR DEFLECTOR FILLER - MB4	5460209SP	30KW
39	FLUE OUTLET COVER-MB4	5440370SP	
	INST-INSTALLATION MB3 2009	5442225SP	
	THERMISTOR MB4	5431608SP	
	2 Amp FUSE (MB4 BOARD)	5441617SP	
	8 Amp SLOW BLOW FUSE (MB4 BOARD)	5441618SP	



Text and Illustration Copyright Climate Technologies 2010

All rights reserved. No part of this document may be reproduced or transmitted in any form or by any means, electronic or mechanical, including photocopying, recording or by any information storage and retrieval system, without prior permission in writing from Climate Technologies

In the interest of continued product improvement Climate Technologies reserves the right to alter specifications without notice. E.&O.E.