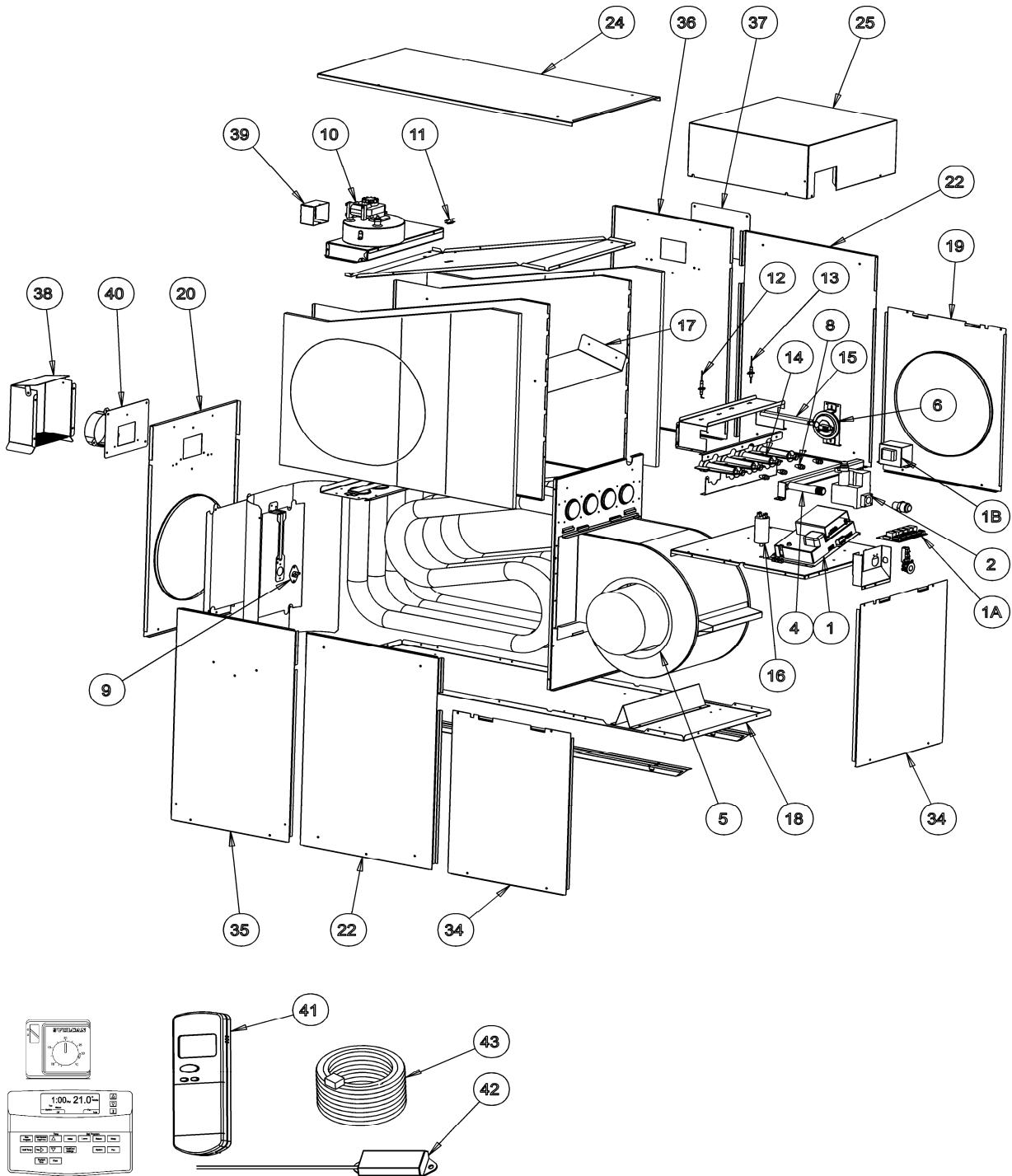




# REPLACEMENT PARTS MANUAL



Date Issued <b>2-Apr-15</b>	Product Section Details <b>Mid Efficiency Ducted Gas Central Heating</b>	Section No <b>H8.06</b>
Issue Status <b>E</b>	IME 14, 20, 20XA, 30, 30XA IB 14, 20, 30, V3 V3 / V4 14, 20, 20XA, 30, 30XA Internal and External	Page <b>1</b>





# REPLACEMENT PARTS MANUAL



Date Issued <b>2-Apr-15</b>	Product Section Details <b>Mid Efficiency Ducted Gas Central Heating</b>	Section No <b>H8.06</b>
Issue Status <b>E</b>	IME 14, 20, 20XA, 30, 30XA IB 14, 20, 30, V3 V3 / V4 14, 20, 20XA, 30, 30XA Internal and External	Page <b>2</b>

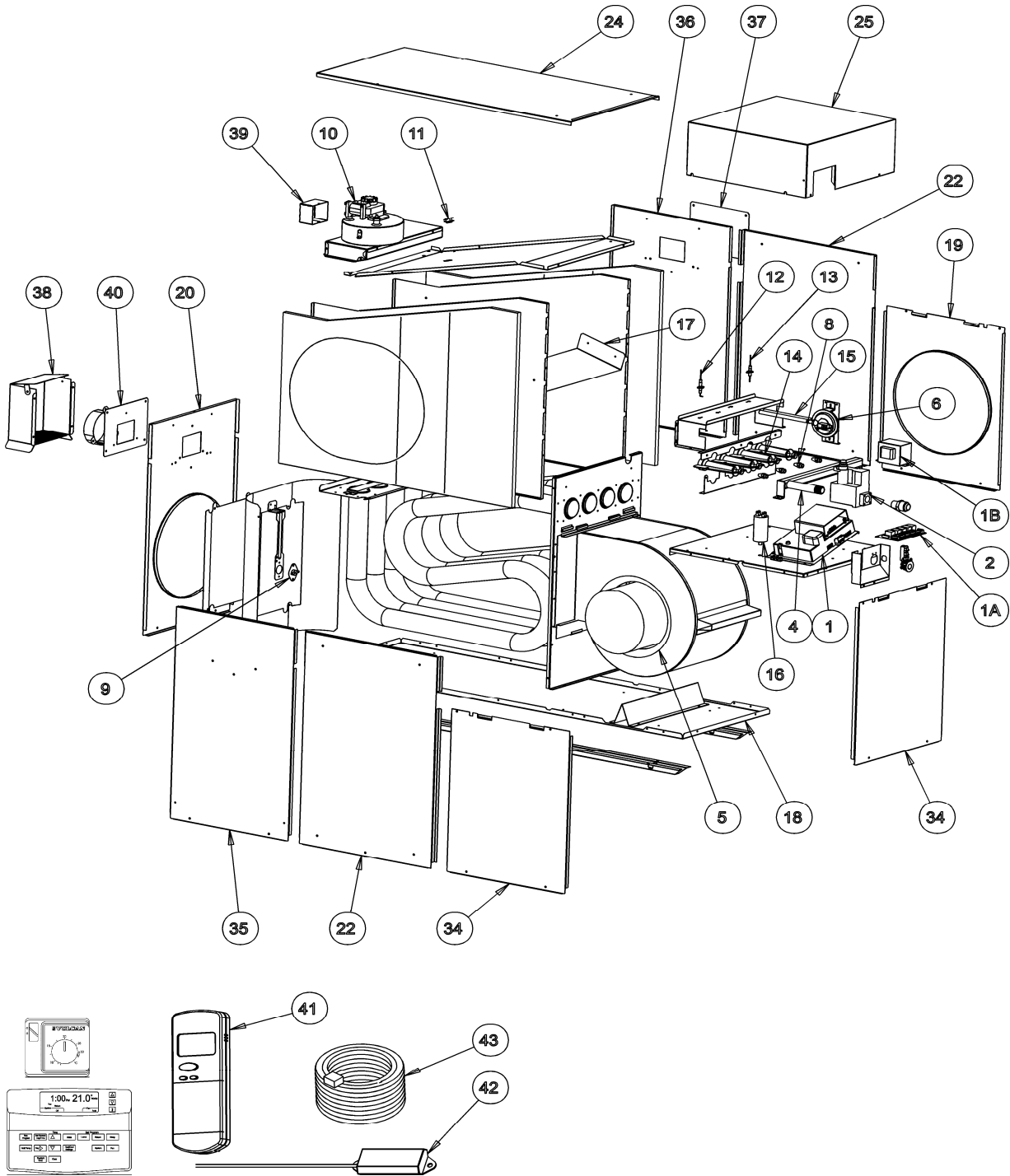
ITEM NUMBER	DESCRIPTION	PART NUMBER	COMMENTS
1	CONTROL BOARD PNE NON MOD	5311205SP	NLA
	CONTROL BOARD BASIC 2008	5311225SP	NLA
	CONTROL BOARD MOD 2008	5311230SP	NLA
	CONT PNE->TYT 3 STR CH RF NAV	5311260SP	3 Star
	CONT PNE->TYT 3 STR CH LV NAV	5311261SP	3 Star
	CONT PNE->TYT 3 STR LV SLIM/L	5311262SP	3 Star
	CONT PNE->TYT 3 STR ADDNL KT	5311263SP	3 Star
	CONT PNE->TYT 4 STR CH RF NAV	5311270SP	4 Star
	CONT PNE->TYT 4 STR CH LV NAV	5311271SP	4 Star
	CONT PNE->TYT 4* CH ADDNL KT	5311273SP	4 Star
	CONTROL BD MB4/5 (NO LOOM)	5441212SP	Replacement board for TYT kits
1A	CONTROL BOARDS SERIES 2&3	5311213SP	IME / V4 NLA
1B	TRANSFORMER 240/24V AC	5311627SP	IME / V4
2	GAS VALVE SIGMA 840	5310701SP	IB / V3
	GAS VALVE MODULATE SIGMA 845	5310702SP	IME / V4
3	SERVICE LEAD	3801601SP	
4	BURNER MANIFOLD	5310916SP	14KW
	BURNER MANIFOLD	5320916SP	20KW
	BURNER MANIFOLD	5330916SP	30KW
5	FAN ASSY 250W-S/S (5011605SP)	9241851SP	IB/V3 - 14,20 IME / V4 - 14,20
	MOTOR 250W S/SPD R/A FAN	5011605SP	IB/V3 - 14,20 IME / V4 - 14,20
	FAN ASSY 600W S/S (5011606SP)	9243802SP	IB/V3 - 30 IME / V4 - 20XA, 30
	MOTOR 600W S/SPD R/A FAN	5011606SP	IB/V3 - 30 IME / V4 - 20XA, 30
	FAN ASSY 750W S/S (5011607SP)	9263802SP	IME/V4 - 30XA
	MOTOR 750W S/SPD R/A FAN	5011607SP	IME/V4 - 30XA
6	PRESSURE SWITCH INT 140pa	5001205SP	
8	JET NG 2.0mm	0081020SP	NG UNITS ONLY 14 KW UNITS
	JET NG 2.25MM	0081021SP	NG UNITS ONLY 20/30KW UNITS
9	THERMOSTAT OUTLET AIR	9041916SP	
	THERMISTOR 1.6M	5311626SP	
10	COMBUSTION FAN EXT TUBULAR	5310871SP	
11	THERMOSTAT CUTOUT	2055821SP	
12	IGNITOR ELECTRODE (0161021)	9041912SP	
13	FLAME SENSOR-50MM PROBE	5011635SP	
14	BURNER BECKET IN SHOT	5310601SP	
15	COMBUSTION FAN TUBULAR	5310907SP	
16	CAPACITOR 8UF	9041888SP	IB/V3-14, 20, 30 IME/V4-14, 20, 20XA, 30
	CAPACITOR 20UF	9063800SP	IME/V3 - 30XA
17	PANEL AIR GUIDE 4BNR	5312030SP	IB / V3 IME/V4 - 14
	PANEL AIR GUIDE 5BNR	5322030SP	IB/V3 - 20 IME/V4 - 20,20XA
	AIR GUIDE	5332030SP	IB/V3 - 30 IME/V4 - 30, 30XA
18	BASE 3&4BNR	5310105SP	IB14 IME14
	BASE 5 BNR	5320105SP	IB20 IME20,20XA
	BASE	5330105SP	IB30 IME30, 30XA



# REPLACEMENT PARTS MANUAL



Date Issued <b>2-Apr-15</b>	Product Section Details <b>Mid Efficiency Ducted Gas Central Heating</b>	Section No <b>H8.06</b>
Issue Status <b>E</b>	IME 14, 20, 20XA, 30, 30XA IB 14, 20, 30, V3 V3 / V4 14, 20, 20XA, 30, 30XA Internal and External	Page <b>3</b>





# REPLACEMENT PARTS MANUAL



Date Issued <b>2-Apr-15</b>	Product Section Details <b>Mid Efficiency Ducted Gas Central Heating</b>	Section No <b>H8.06</b>
Issue Status <b>E</b>	IME 14, 20, 20XA, 30, 30XA IB 14, 20, 30, V3 V3 / V4 14, 20, 20XA, 30, 30XA Internal and External	Page <b>4</b>

ITEM NUMBER	DESCRIPTION	PART NUMBER	COMMENTS
19	PANEL RETURN AIR 300MM 12"	5310164SP	IB14,20 IME14,20
	PANEL RETURN AIR 350MM 14"	5330165SP	IB30, IME20XA, 30
	PANEL RETURN AIR 400MM 16"	5330175SP	IME30XA
20	PANEL FRONT 300MM 12"	5310166SP	IB14, IME14
	PANEL FRONT 300MM 12"	5320166SP	IB20, IME20
	PANEL FRONT 350MM 14"	5320172SP	IME20XA
	PANEL FRONT 350MM 14"	5330166SP	IB30, IME30
	PANEL FRONT 400MM 16"	5330176SP	IME30XA
	22	PANEL SIDE	5310169SP
PANEL SIDE 5BNR		5320169SP	IB20 IME20,20XA
PANEL SIDE		5330169SP	IB30 IME30, 30XA
24	PANEL TOP	5310182SP	IB14 IME14
	PANEL TOP	5320182SP	IB20 IME20,20XA
	PANEL TOP	5330182SP	IB30 IME30, 30XA
25	PANEL TOP	5310181SP	IB14 IME14
	PANEL ACCESS 5BNR	5320181SP	IB20 IME20,20XA
	PANEL ACCESS	5330181SP	IB30 IME30, 30XA
34	PANEL REAR BLANK	5310165SP	IB14 IME14
	PANEL REAR BLANK 5BNR	5320165SP	IB20 IME20,20XA
	PANEL REAR BLANK	5330164SP	IB30 IME30, 30XA
35	PANEL FRONT BLANK	5310167SP	IB14 IME14
	PANEL FRONT BLANK 5BNR	5320167SP	IB20 IME20,20XA
	PANEL FRONT BLANK	5330167SP	IB30 IME30, 30XA
36	PANEL FRONT FLUE BLANK	5310168SP	IB14 IME14
	PANEL FRONT FLUE BLANK	5320168SP	IB20 IME20,20XA
	PANEL FRONT FLUE BLANK	5330168SP	IB30 IME30, 30XA
37	PANEL FLUE COVER	5310194SP	
	ACCESSORIES		
38	COVER FLUE OUTLET	5310370SP	EXTERNAL INSTALLATIONS ONLY
39	PANEL COMB FAN EXT	5310810SP	
40	FLUE ADAPTOR EXTERNAL 4"	5311306SP	
41	WALL CONTROL - RF PNE	5001619SP	IME - NLA
	WALL CONTROL - PREMIUM PNE	5001656SP	IME - NLA
	WALL CONTROL 5311003SP	380152HSP	IB - USE CAMPINI - NLA
	WALL CONTROL 5311003SP	380152HSP	IB - REPLACES HONEYWELL - NLA
	WALL CONTROL - PREMIUM PNE		
42	ANTENNA - PNE RF		
43	WIRING LOOM - LV 20 MTR PNE		
	ADD ON COOLING KIT	5311910SP	IB
	PANEL IGNITOR PLATE 3&4BNR		
	PANEL IGNITOR PLATE 5BNR		
	PANEL IGNITOR PLATE 5BNR		