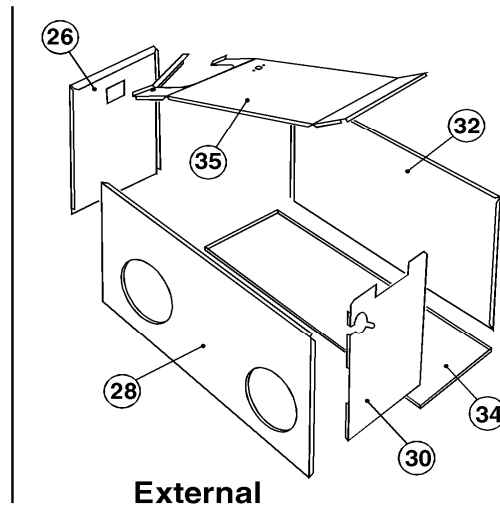
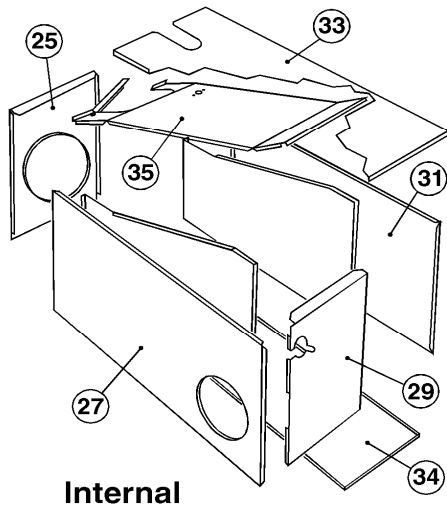
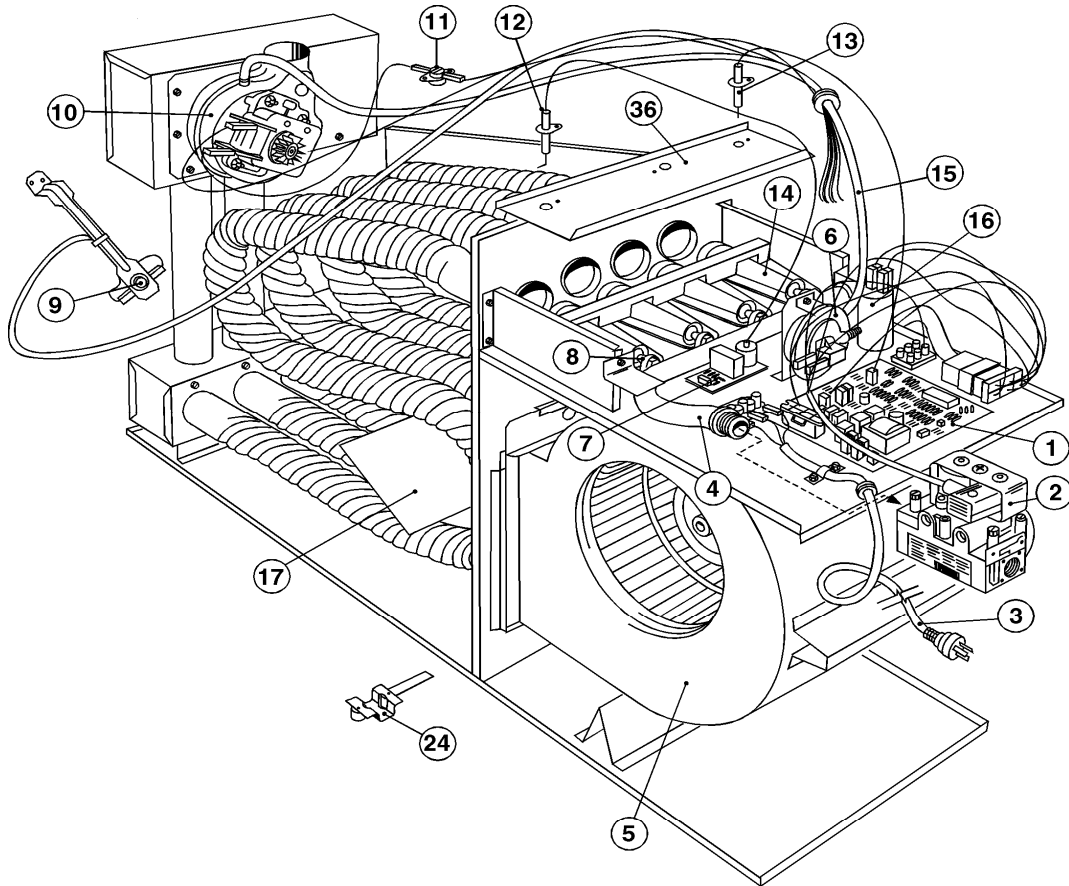




REPLACEMENT PARTS MANUAL

Date Issued 1-Mar-15	Product Section Details Vulcan Central Heating - Mid Efficiency Helical Tube	Section No H8.05
Issue Status C	Models: VBE/VBI 14, 19, 26 VBE/VBI 12, 16, 20, 26 Series 2	Page 1





REPLACEMENT PARTS MANUAL

Date Issued 1-Mar-15	Product Section Details Vulcan Central Heating - Mid Efficiency Hellical Tube	Section No H8.05
Issue Status C	Models: VBE/VBI 14, 19, 26 VBE/VBI 12, 16, 20, 26 Series 2	Page 2

ITEM NUMBER	DESCRIPTION	PART NUMBER	COMMENTS
1	CONTROL BOARD PNE NON MOD	5311205SP	SERIES 1 NLA
	CONTROL BOARD BASIC 2008	5311225SP	SERIES 2 NLA
	CONT PNE->TYT 3 STR CH RF NAV	5311260SP	
	CONT PNE->TYT 3 STR CH LV NAV	5311261SP	
	CONT PNE->TYT 3 STR LV SLIM/L	5311262SP	
	CONT PNE->TYT 3 STR ADDNL KT	5311263SP	Suits connecting to cooler with Tytronics
2	GAS VALVE SIGMA 840	5310701SP	
3	SERVICE LEAD	3801601SP	
4	MANIFOLD WELDED ASSY 3 BNR	5300920SP	
	MANIFOLD WELDED ASSY 4 BNR	5310915SP	
	MANIFOLD WELDED ASSY 5 BNR	5320915SP	
5	USE 9241851SP	5310802SP	VBI12, VBE12 & VBI16 SERIES 2
	FAN ASSY 250W (3 SPD)5311616SP	9051813SP	VBI14, VBE14, VBI19 & VBE19 SERIES 1
	FAN ASSY 250W-S/S (5011605SP)	9241851SP	VBE16 & VBI20 SERIES 2
	FAN ASSY 600W (3 SPD)5311617SP	9043820SP	VBI26 & VBE26 SERIES 1
	FAN ASSY 600W S/S (5011606SP)	9243802SP	VBE20, VBI26 & VBE26 SERIES 2
6	PRESSURE SWITCH INT 140pa	5001205SP	
7	IGNITION MODULE	5001614SP	NLA
8	JET NG 2.25MM	0081021SP	NG UNITS ONLY
	JET LPG 1.35MM	0081022SP	LPG UNITS ONLY
9	THERMOSTAT OUTLET AIR	9041916SP	
10	COMBUSTION FAN TUBULAR	5310801SP	INTERANL UNITS ONLY
	COMBUSTION FAN EXT TUBULAR	5310871SP	EXTERNAL UNITS ONLY
11	THERMOSTAT CUTOUT	2055821SP	
12	IGNITOR ELECTRODE (0161021)	9041912SP	
13	FLAME SENSOR-50MM PROBE	5011635SP	
14	BURNER IN SHOT TUBULAR SP	5310601SP	
15	COMBUSTION FAN TUBULAR	5310907SP	
16	CAPACITOR 8UF	9041888SP	
17	PANEL AIR GUIDE 3 BNR	5302024SP	
	PANEL AIR GUIDE 4BNR	5312030SP	
	PANEL AIR GUIDE 4BNR	5312024SP	
	PANEL AIR GUIDE 4BNR	5312030SP	
	PANEL AIR GUIDE 3BNR	5322024SP	
	PANEL AIR GUIDE 5BNR	5322030SP	
24	RESILIENT MOUNT	9041932SP	
25	PANEL FRONT INT 3&4BNR	5310106SP	SERIES 1
	PANEL FRONT INT 3BNR	5300136SP	SERIES 2
	PANEL FRONT	5310136SP	SERIES 2
	PANEL FRONT INT 5 BNR	5320106SP	
26	PANEL FRONT EXT 3&4BNR	5310176SP	
	PANEL FRONT EXT 5BNR	5320176SP	
27	PANEL SIDE LH INT 3&4BNR	5310108SP	SERIES 1
	PANEL SIDE LH INT 3&4BNR	5310128SP	SERIES 2



REPLACEMENT PARTS MANUAL

Date Issued
1-Mar-15

Product Section Details

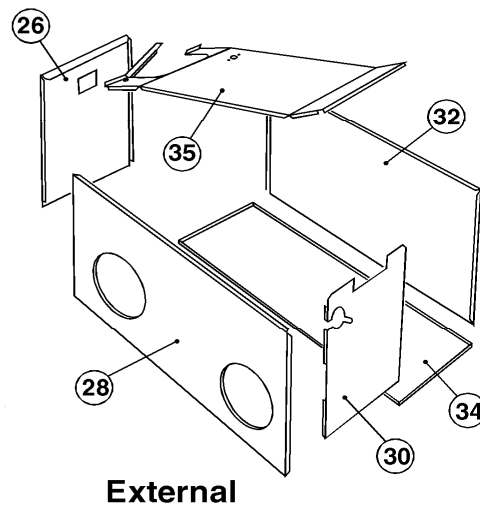
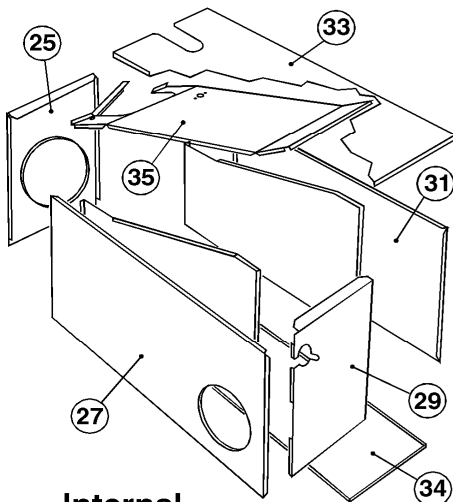
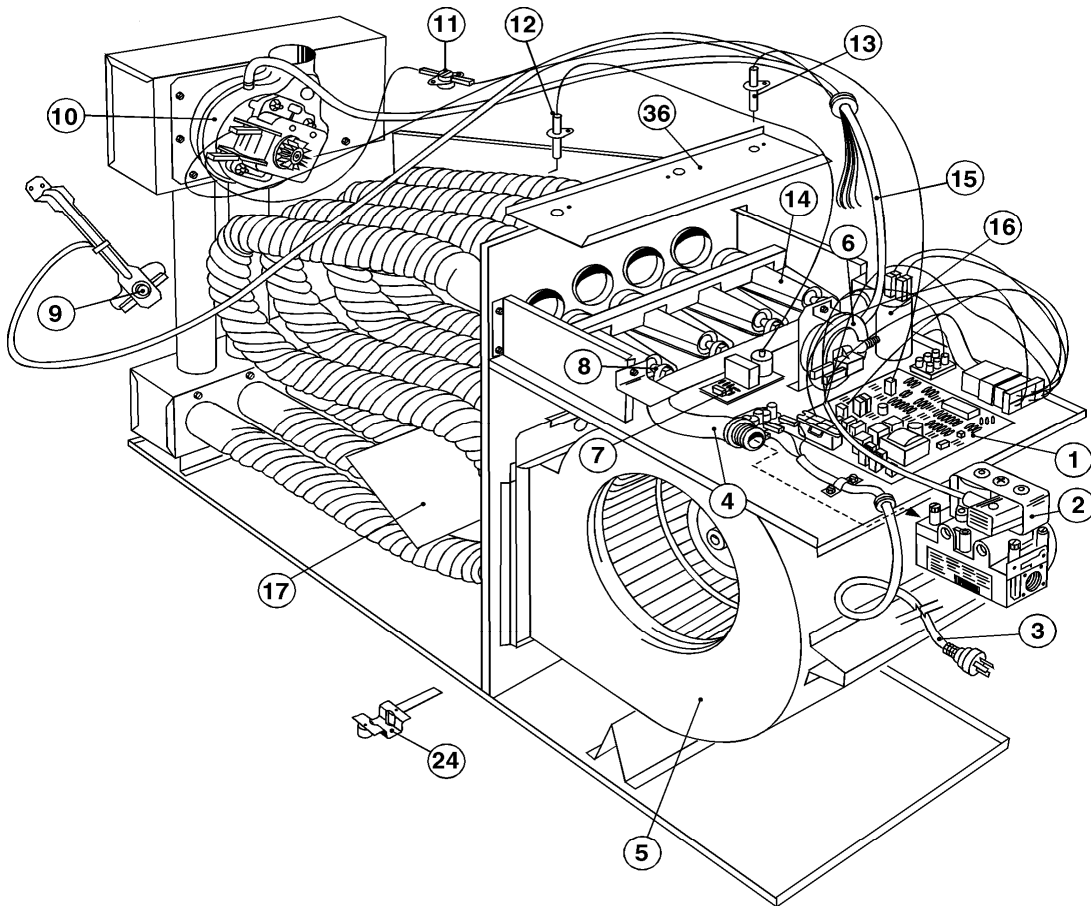
Section No
H8.05

Issue Status
C

Vulcan Central Heating - Mid Efficiency Helical Tube

Models: VBE/VBI 14, 19, 26
VBE/VBI 12, 16, 20, 26 Series 2

Page
3



© Copyright 2001



REPLACEMENT PARTS MANUAL

Date Issued 1-Mar-15	Product Section Details Vulcan Central Heating - Mid Efficiency Hellical Tube	Section No H8.05
Issue Status C	Models: VBE/VBI 14, 19, 26 VBE/VBI 12, 16, 20, 26 Series 2	Page 4

ITEM NUMBER	DESCRIPTION	PART NUMBER	COMMENTS
28	PANEL SIDE LH INT 5BNR	5320108SP	SERIES 1
	PANEL SIDE LH	5320128SP	SERIES 2
	PANEL SIDE LH EXT 3&4BNR	5310178SP	
29	PANEL SIDE LH EXT 3BNR	5290178SP	SERIES 2
	PANEL SIDE LH EXT 5BNR	5320178SP	
	PANEL REAR INT 3&4BNR	5310107SP	SERIES 1
30	PANEL REAR INT 3&4BNR	5310127SP	SERIES 2
	PANEL REAR INT 5BNR	5320107SP	SERIES 1
	PANEL REAR INT 5BNR	5320127SP	SERIES 2
31	PANEL REAR EXT 3&4BNR	5310177SP	SERIES 1
	PANEL REAR EXT 3&4BNR	5310162SP	SERIES 2
	PANEL REAR EXT 5BNR	5320177SP	SERIES 1
32	PANEL REAR EXT 5BNR	5320162SP	SERIES 2
	PANEL SIDE RH INT 3&4BNR	5310129SP	SERIES 1
	PANEL SIDE RH INT 3&4BNR	5310129SP	SERIES 2
33	PANEL SIDE RH	5320129SP	SERIES 2
	PANEL SIDE RH EXT	5310179SP	
	PANEL TOP INT 3&4BNR	5310104SP	SERIES 1
34	PANEL TOP INT 3&4BNR	5310114SP	SERIES 2
	PANEL TOP INT 5BNR	5320104SP	SERIES 1
	PANEL TOP INT 5BNR	5320114SP	SERIES 2
35	PANEL ACCESS INT 3&4BNR	5310113SP	SERIES 2
	PANEL ACCESS INT 5BNR	5320113SP	SERIES 2
	PANEL TOP EXT 3&4BNR	5310174SP	SERIES 1
36	PANEL TOP EXT 3&4BNR	5310184SP	SERIES 2
	PANEL TOP EXT 5BNR	5320174SP	SERIES 1
	PANEL TOP EXT 5BNR	5320184SP	SERIES 2
37	PANEL ACCESS EXT 3&4BNR	5310183SP	SERIES 2
	PANEL ACCESS EXT 5BNR	5320183SP	SERIES 2
	BASE 3&4BNR	5310105SP	
38	BASE 5 BNR	5320105SP	
	PANEL SEPARATION PLATE	5310121SP	SERIES 1
	PANEL SEPARATION PLATE	5310130SP	SERIES 2
39	PANEL SEPARATION PLATE	5320121SP	SERIES 1
	PANEL SEPARATION PLATE	5320130SP	SERIES 2
	PANEL IGNITOR PLATE 3&4BNR	5312005SP	SERIES 1
40	PANEL IGNITOR PLATE 3&4BNR	5312006SP	SERIES 2
	PANEL IGNITOR PLATE 5BNR	5322005SP	SERIES 1
	PANEL IGNITOR PLATE 5BNR	5322006SP	SERIES 2
	HEAT EXCHANGER 3 BNR	5300301SP	SERIES 2