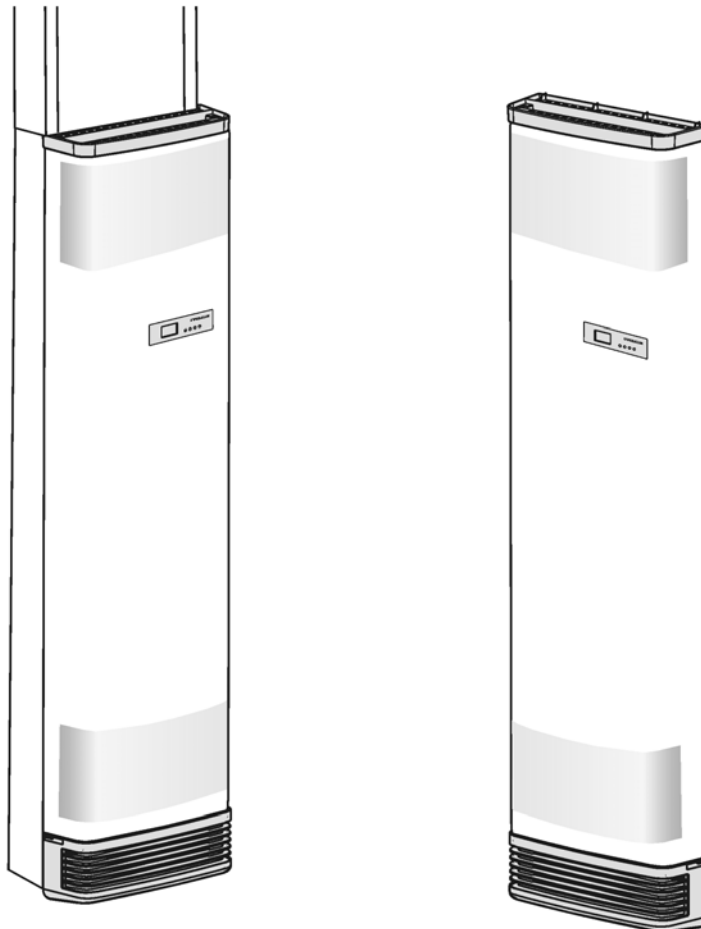


Date Issued  
**8-Mar-11**Product Section Details  
**PYROX**Section No  
**H6.04**Issue Status  
**E**

Page

**DELUXE 26, 30 & 40MJ**

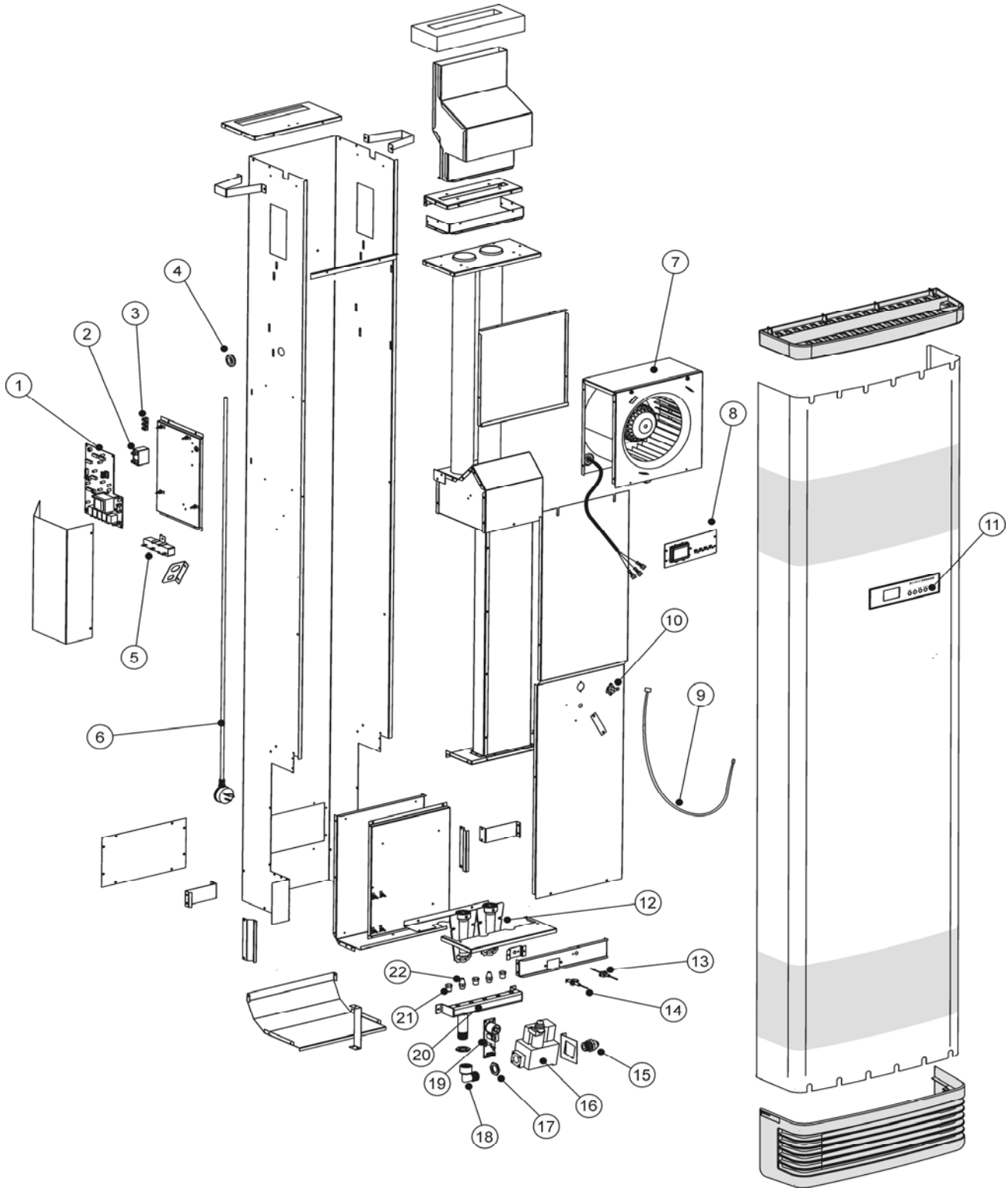
4720001 26Mj Deluxe WF NG

4720006 30Mj Deluxe WF NG

4720011 40Mj Deluxe WF NG

NOTE: Tytronics controls Introduced in Jan 2011 (Serial No. 01034702)

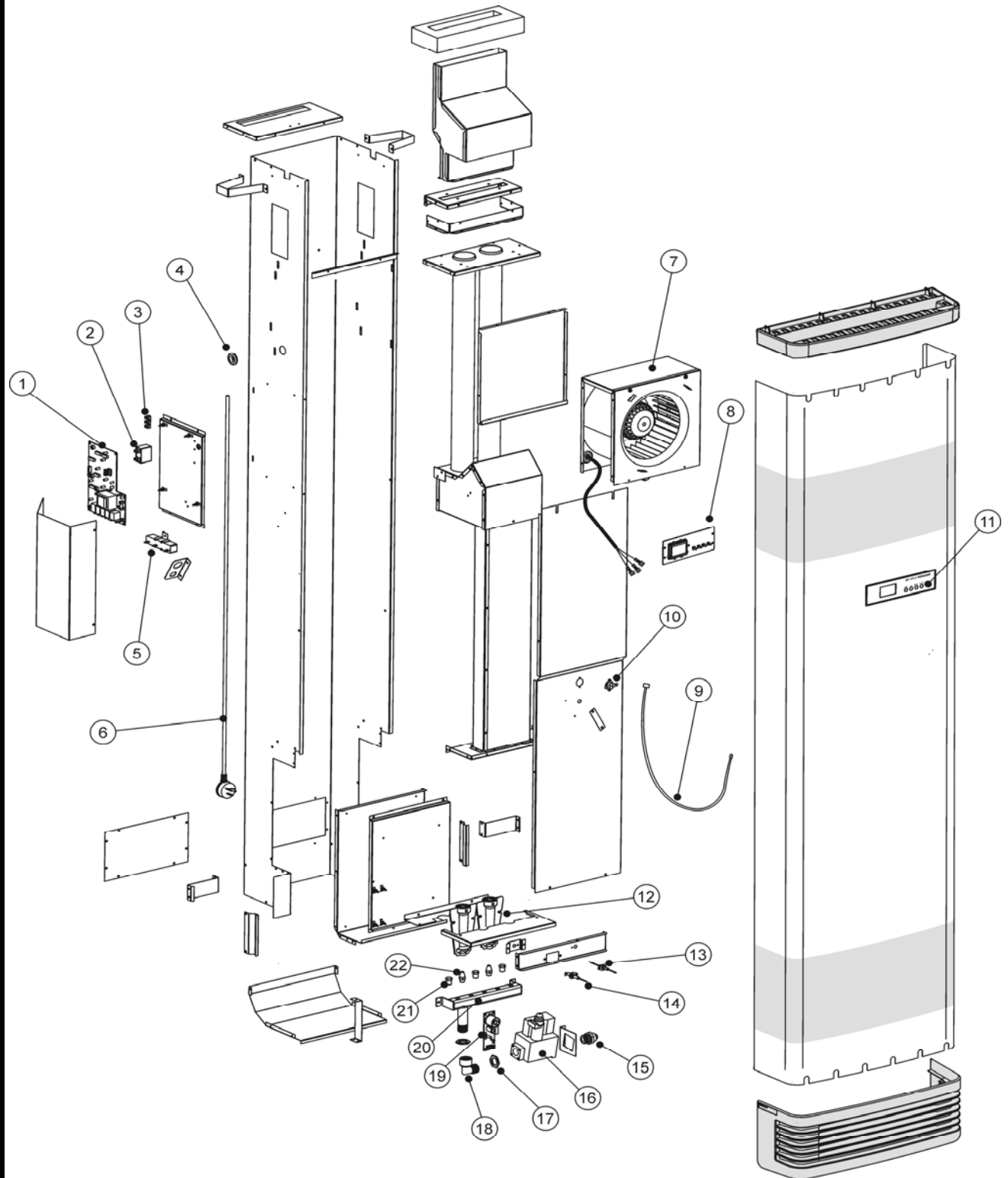
Date Issued <b>8-Mar-11</b>	Product Section Details <b>PYROX</b> DELUXE 26, 30 & 40MJ RELEASE MARCH 2006	Section No <b>H6.04</b>
Issue Status <b>E</b>		Page <b>1</b>



Date Issued <b>8-Mar-11</b>	Product Section Details <b>PYROX</b> DELUXE 26, 30 & 40MJ RELEASE MARCH 2006	Section No <b>H6.04</b>
Issue Status <b>E</b>		Page <b>2</b>

ITEM NUMBER	DESCRIPTION	PART NUMBER	COMMENTS
1	Control Board Main	4721201SP	Pre April 07
	Control Board Main 2008 V2	4721210SP	
	Control Board Main Deluxe WF 2010	4721250SP	Post Jan 2011
	Loom Cont/Ign/Gas Valve	4721603SP	
	Loom - Overtmp/Thermistor	4721610SP	
	Loom - Overtmp	4721614SP	Post Jan 2011
	Main BD, Ign BD & T/Stat 2008	4721216SP	
	Control Board Fuse	4721611SP	
2	Capacitor 1.0Uf Sq P2 Class	0160189SP	26Mj-30Mj - 30Mj Units Pre June 07
	Capacitor-1.5Uf Sq P2 Class	0160196SP	30Mj - For 30Mj Unit Post June 07
	Capacitor 2.0Uf Sq P2 Class	0160190SP	40Mj
3	Terminal H1991 6 Way Earth	0162406SP	
4	Grommet	0121534SP	
5	Resistor	H2265137SP	
6	Service Lead	6301601SP	
7	Fan	4720109SP	26Mj, 30Mj - 30Mj Units Made Pre June 07
	Fan	4720159SP	40Mj, 30Mj - 30Mj Units Made Post June 07
	Fan Box Deluxe 2011	4720168SP	Post Jan 2011
8	Thermostat Control	4721202SP	Pre April 07
	Thermostat Control - V2	4721206SP	
	Thermostat Control - 2008 V2	4721212SP	Post Feb 08
	Thermostat Deluxe WF 2010	4721252SP	Post Jan 2011
	Loom Thermostat Control	4721604SP	
	Loom Thermostat Control	4721620SP	Post Jan 2011
9	Fuse - 2Amp Slow Blow W/Furn	4721611SP	
	Thermister O/T Assembly	4721606SP	
	Thermistor Only	4721605SP	Pre April 07
10	Thermistor Only	5311626SP	Post April 07
	Thermostat Cut Out	2055821SP	
11	Decal Control	4722203SP	
12	Burner Becket	4720601SP	
13	Flame Sensor-50Mm Probe	5011635SP	
14	Electrode Ignitor (300Mm)	0161022SP	
	Ignition Kit 26Mj Deluxe	4722075SP	
	Ignition Kit 30Mj Deluxe	4722076SP	
15	Ignition Kit 40Mj Deluxe	4722077SP	
	Comp. Nipple Br 1/2"Bsp	0100484SP	
16	Gas Valve Sigma 845	5310702SP	
	Valve Modulating 24V	5440702SP	Post Jan 2011
	Loom Gas Valve	4721602SP	
17	Locknut	0141270SP	
18	Elbow 90Deg Brass	0100471SP	
19	Ignition Board 2008	4721211SP	

Date Issued <b>8-Mar-11</b>	Product Section Details <b>PYROX</b> DELUXE 26, 30 & 40MJ RELEASE MARCH 2006	Section No <b>H6.04</b>
Issue Status <b>E</b>		Page <b>3</b>



Date Issued <b>8-Mar-11</b>	Product Section Details <b>PYROX</b> DELUXE 26, 30 & 40MJ RELEASE MARCH 2006	Section No <b>H6.04</b>
Issue Status <b>E</b>		Page <b>4</b>

ITEM NUMBER	DESCRIPTION	PART NUMBER	COMMENTS
20	Manifold		
21	Manifold Plug	4721211SP	26Mj X 2, 30Mj X 3, 40Mj X 3
22	Injector - 1.65Mm Injector 1.8Mm	4720904SP	26Mj X 2, 40Mj X 3
		9041161SP	30Mj X 3
		0081024SP	
		0081012SP	
23	Plate Blanking Rear Reg		

Date Issued  
**8-Mar-11**

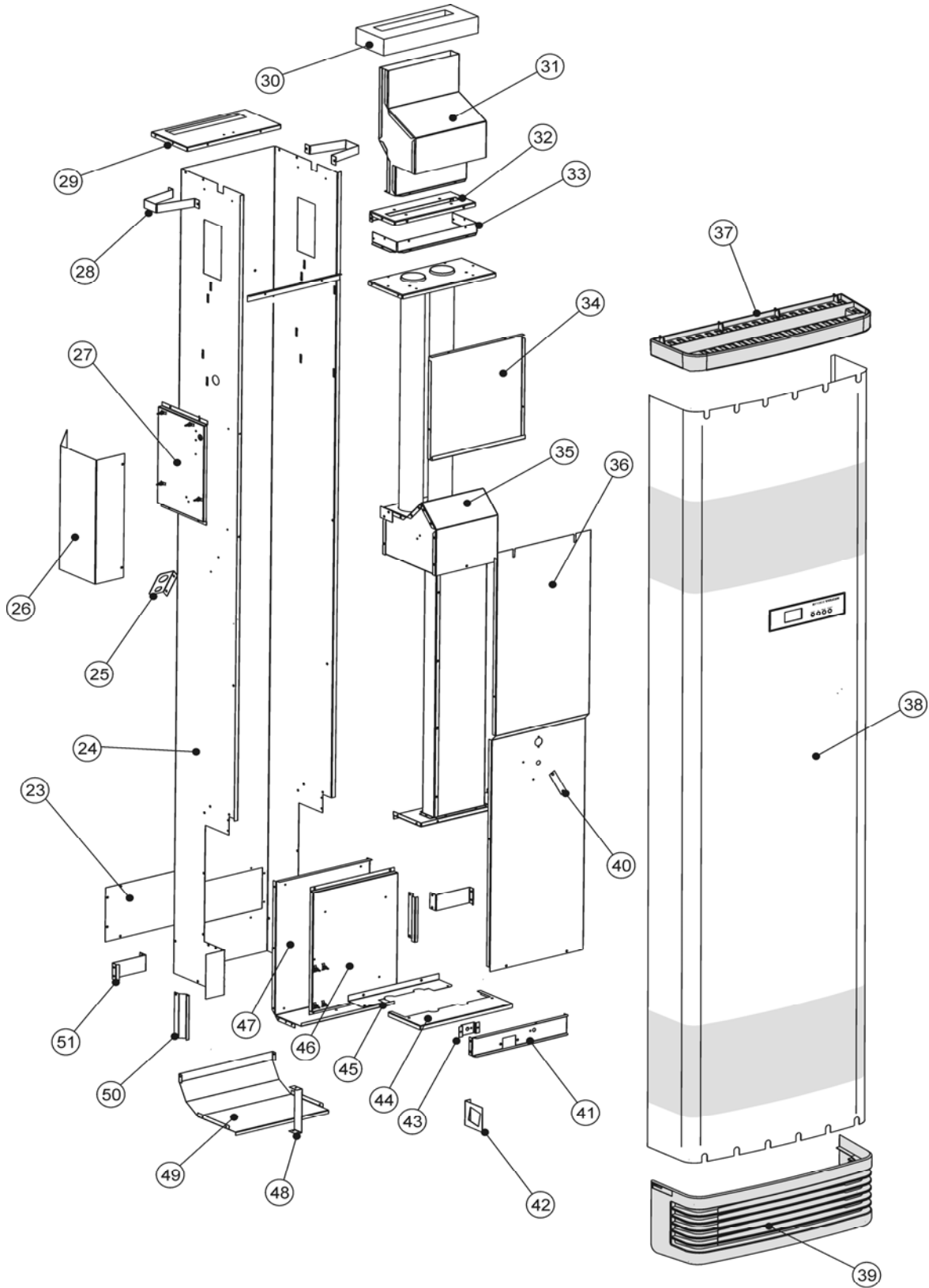
Product Section Details

Section No  
**H6.04**

Issue Status  
**E**

**PYROX**  
DELUXE 26, 30 & 40MJ  
RELEASE MARCH 2006

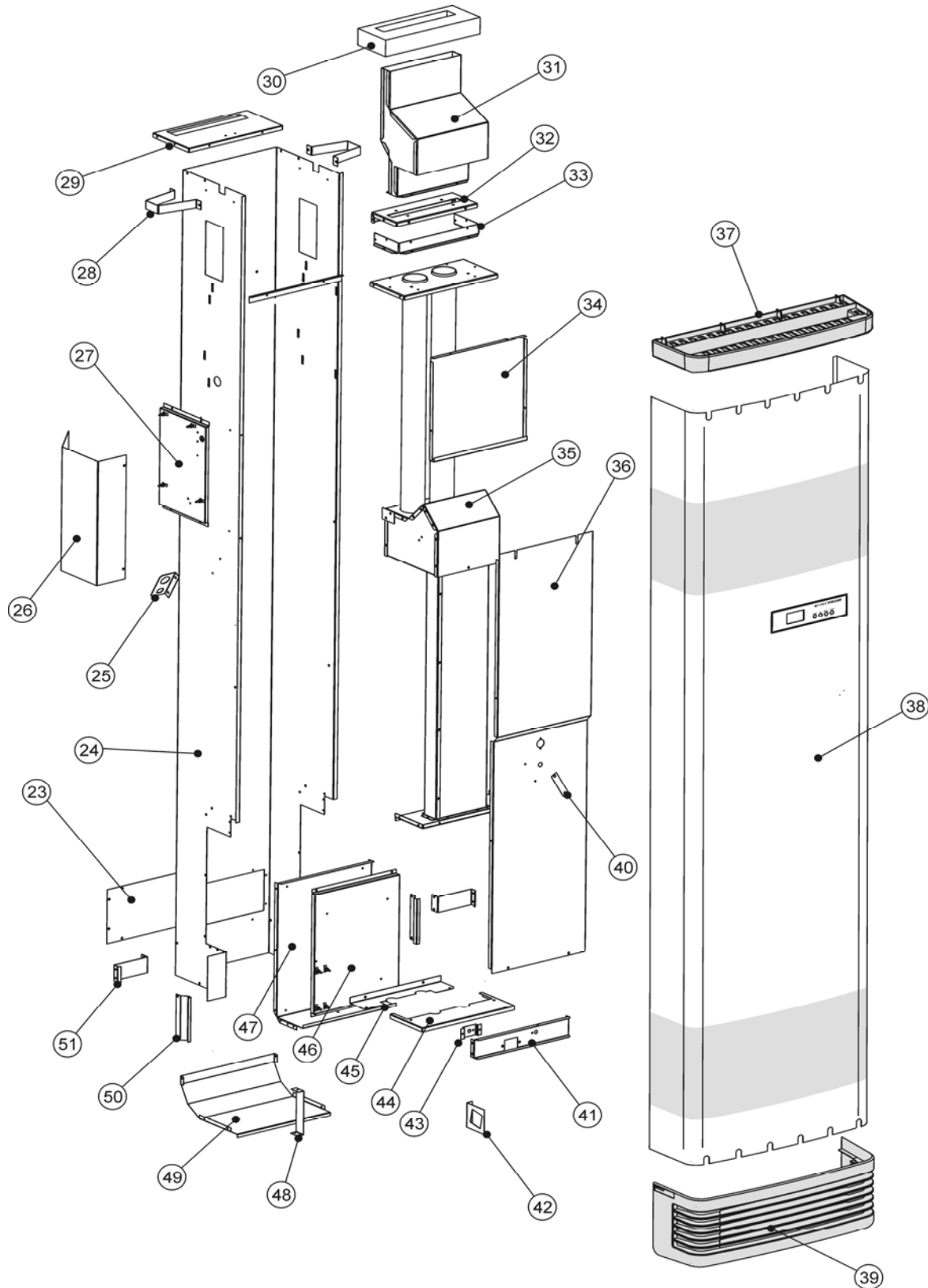
Page  
**5**



Date Issued <b>8-Mar-11</b>	Product Section Details <b>PYROX</b>	Section No <b>H6.04</b>
Issue Status <b>E</b>	DELUXE 26, 30 & 40MJ RELEASE MARCH 2006	Page <b>6</b>

ITEM NUMBER	DESCRIPTION	PART NUMBER	COMMENTS
24	Cabinet Inner		
	Cabinet Inner 30/40Mj	4720151SP	30Mj, 40Mj Pre April 2007
	Cabinet Inner	4720121SP	26Mj Post April 2007
24	Cabinet Inner 30/40Mj	4720171SP	30Mj, 40Mj Post April 2007
25	Cable Bracket	4722015SP	
26	Electrical Cover	4720117SP	26Mj Pre April 2007
	Electrical Cover	4720167SP	30Mj, 40Mj Pre April 2007
	Electrical Cover	4720137SP	26Mj Post April 2007
	Electrical Cover	4720187SP	30Mj, 40Mj Post April 2007
27	Electrics Panel	4720114SP	26Mj
	Electrics Panel	4720164SP	30Mj, 40Mj
28	Bracket Top Moulding	4722006SP	26Mj
	Bracket Top Moulding	4722056SP	30Mj, 40Mj
29	Top Plate Flue Support	4720107SP	26Mj
	Top Plate Flue Support	4720157SP	30Mj, 40Mj
30	Insulation	4722101SP	
31	Flue Outlet Assembly	4720310SP	
32	Flue Box Rear	4720308SP	26Mj Pre June 2006
	Flue Box Rear	4720358SP	30Mj, 40Mj Pre June 2006
	Flue Box Assembly	4721309SP	26Mj Post June 2006
	Flue Box Assembly	4721359SP	30Mj, 40Mj Post June 2006
33	Flue Box Front	4720307SP	26Mj Pre June 2006
	Flue Box Front	4720357SP	30Mj, 40Mj Pre June 2006
	Flue Box Assembly	4721309SP	26Mj Post June 2006
	Flue Box Assembly	4721359SP	30Mj, 40Mj Post June 2006
34	Heatshield - Fan Box	4720113SP	26Mj Pre April 2007
	Heatshield - Fan Box	4720163SP	30Mj, 40Mj Pre April 2007
	Heatshield - Fan Box	4720133SP	26Mj Post April 2007
	Heatshield - Fan Box	4720183SP	30Mj, 40Mj Post April 2007
35	Heat Exchanger	4720301SP	26Mj
	Heat Exchanger 30/40Mj	4720351SP	30Mj, 40Mj
36	Air Guide Front	4720106SP	26Mj Pre April 2007
	Air Guide Front	4720156SP	30Mj Pre April 2007
	Air Guide Front	4720176SP	40Mj Pre April 2007
	Air Guide Front	4720126SP	26Mj Post April 2007
	Air Guide Front	4720196SP	30Mj, 40Mj Post April 2007
37	Top Moulding	4700101SP	
38	Cabinet Perforated	4720115SBSP	
	Cabinet Deluxe WF 2011	4720118SBSP	Post Jan 2011
39	Outlet Fan Moulded	4700122SP	
40	Retainer	9041233SP	
41	Plate Ignitor	4722003SP	26Mj Pre April 2007

Date Issued <b>8-Mar-11</b>	Product Section Details <b>PYROX</b> DELUXE 26, 30 & 40MJ RELEASE MARCH 2006	Section No <b>H6.04</b>
Issue Status <b>E</b>		Page <b>7</b>





Date Issued <b>8-Mar-11</b>	Product Section Details <b>PYROX</b>	Section No <b>H6.04</b>
Issue Status <b>E</b>	DELUXE 26, 30 & 40MJ RELEASE MARCH 2006	Page <b>8</b>

ITEM NUMBER	DESCRIPTION	PART NUMBER	COMMENTS
	Plate Ignitor	4722053SP	30Mj 40Mj Pre April 2007
	Plate Ignitor	4722075SP	26Mj Post April 2007
	Plate Ignitor	4722076SP	30Mj Post April 2007
	Plate Ignitor	4722077SP	40Mj Post April 2007
42	Bracket Valve Support	4722004SP	
43	Bracket Ignitor	4722008SP	Pre Aug 2007
	Bracket Ignitor	4722079SP	Post Aug 2007
44	Bracket Bnr Mtg Btm	4722001SP	26Mj, 30Mj
	Bracket Bnr Mtg Btm	4722051SP	40Mj
45	Bracket Bnr Mtg Top	4722002SP	26Mj, 30Mj
	Bracket Bnr Mtg Top	4722052SP	40Mj
46	Plate Burner Mounting	4720104SP	
47	Air Deflector Plate	4720103SP	26Mj
	Air Deflector Plate	4720153SP	30Mj, 40Mj
48	Bracket Air Outlet	4722013SP	
49	Air Deflector Bottom	4720102SP	26Mj
	Air Deflector Bottom 30/40Mj	4720152SP	30Mj, 40Mj
50	Bracket Air Deflector	4722014SP	30Mj, 40Mj
51	Bracket Btm Moulding	4722005SP	26Mj
	Bracket Btm Moulding	4722055SP	30Mj, 40Mj
	Accessories		
	Console Panels	4720116SP	
	Top Mounting Bracket	4722033SP	
	Bottom Mounting Bracket	4722030SP	
	Rear Register Kit	4721901SP	
	Rear Register Backing Plate	4721907SP	
	Cabinet Latch - 30/40Mj	4721912SP	Bowing cabinet with console kit
	Cabinet Latch - 26Mj	4721911SP	Bowing cabinet with console kit



*“Excelling today for a better tomorrow”*

**Text and Illustration Copyright Climate Technologies 2006**

All rights reserved. No part of this document may be reproduced or transmitted in any form or by any means, electronic or mechanical, including photocopying, recording or by any information storage and retrieval system, without prior permission in writing from Climate Technologies

In the interest of continued product improvement Climate Technologies reserves the right to alter specifications without notice. E.&O.E.