



# REPLACEMENT PARTS MANUAL

Date Issued  
**1-Jul-09**

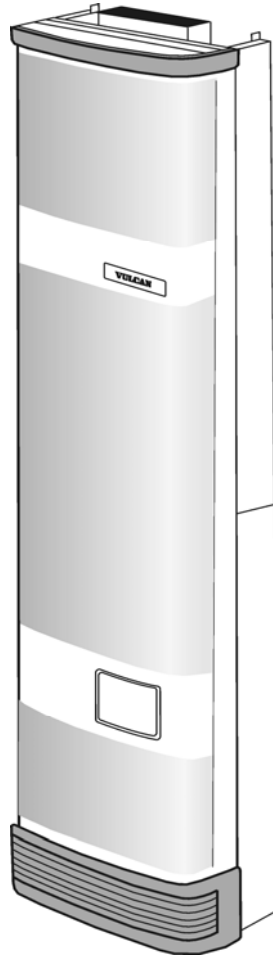
Product Section Details

Section No  
**H6.03**

Issue Status  
**E**

**Vulcan Wall Furnace - Silhouette 26.4MJ & 40MJ**

Page



## **Silhouette Manual Wall Furnace**

- 4690001    WF 26 NG Manual Silhouette
- 4690011    WF 40 NG Manual Silhouette
- 4690002    WF 26 LP Manual Silhouette
- 4690012    WF 40 LP Manual Silhouette

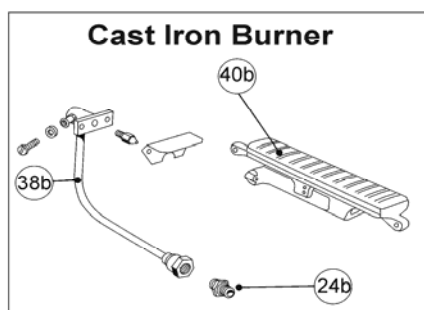
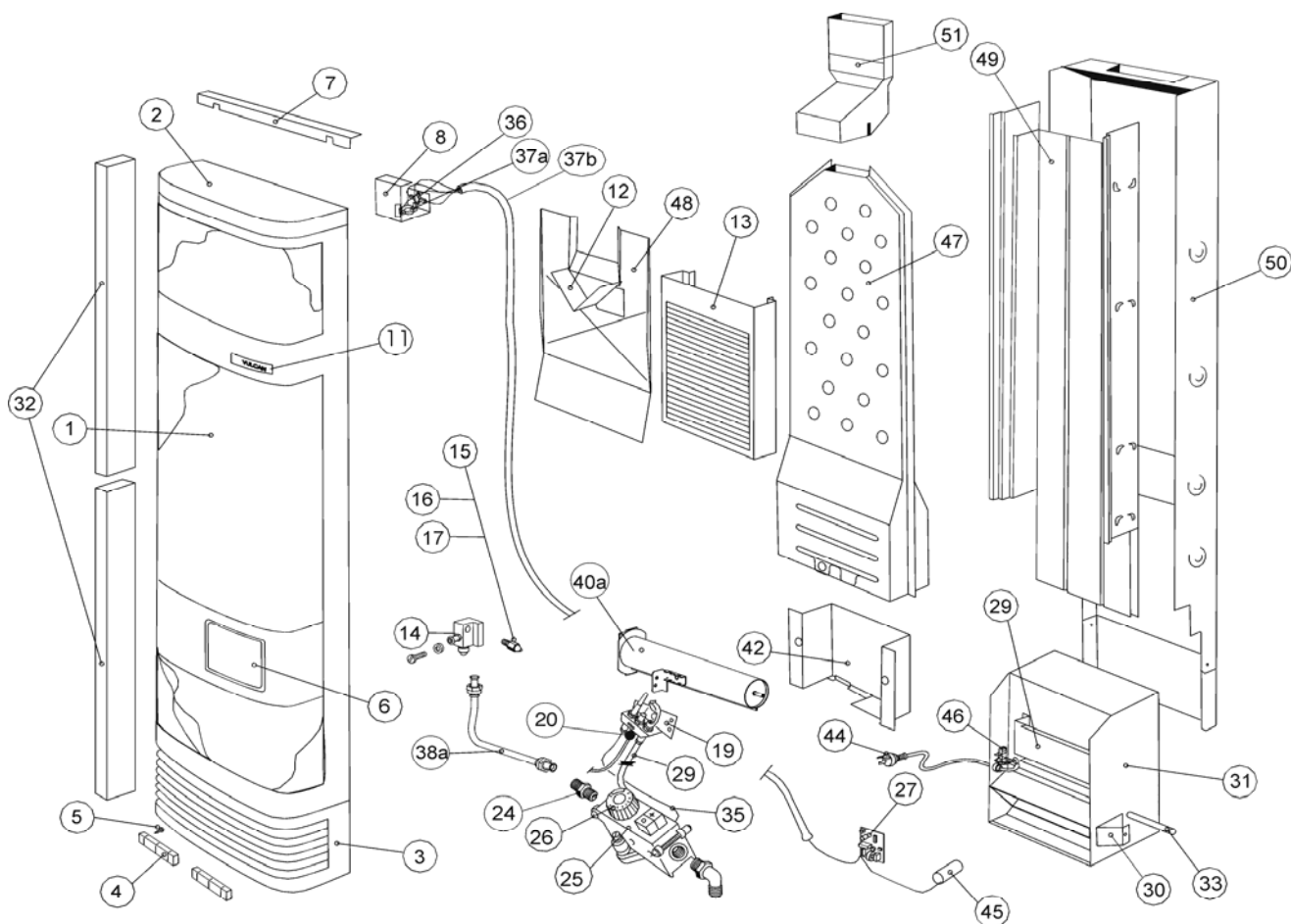


# REPLACEMENT PARTS MANUAL

Date Issued  
**1-Jul-09**  
Issue Status  
**E**

Product Section Details  
**Vulcan Wall Furnace - Silhouette 26.4MJ & 40MJ**  
Inbuilt & Console - Manual

Section No  
**H6.03**  
Page  
**1**





# REPLACEMENT PARTS MANUAL

Date Issued <b>1-Jul-09</b>	Product Section Details <b>Vulcan Wall Furnace - Silhouette 26.4MJ &amp; 40MJ</b>	Section No <b>H6.03</b>
Issue Status <b>E</b>	Inbuilt & Console - Manual	Page <b>2</b>

ITEM NUMBER	DESCRIPTION	PART NUMBER	COMMENTS
1	Cabinet Man Perf	4700111SBSP	
2	Top Moulding	4700101SP	
3	Outlet Fan Moulded	4700122SP	
4	Clamp Outlet Case	4700105SP	
5	Screw Mould Attach	0141492SP	
6	Door & Frame Assy	4700128SP	
	Switch Fan Modification	4709926SP	Boost Switch
	Switch	0162372SP	
7	Panel Cab Support Channel	4701401SP	
8	Bracket Fan Overtemp	4702036SP	
11	Label Manual Sil Wf	4702229SP	
12	Panel Draft Shield Extension	4700121SP	
13	Heat Shield Welded Inner Assy	4700125SP	
14	Injector Block Ss Burner	4700903SP	
15	Jet Ng 2.25mm	0081021SP	26Mj
	Jet Ng 2.75mm	22373SP	40Mj
16	Jet Lpg 1.35mm	0081022SP	26Mj
	Jet Lpg 1.80mm	0081012SP	40Mj
19	Pilot Sparker Assembly	4701207SP	
	Jet Pilot N.G	4944947SP	
	Jet Pilot Lpg	4916819SP	
20	Electrode	491468SP	
24	Nipple 1/2"-3/8" Flare	0100454SP	
25	Gas Valve Ng	2265882SP	
	Gas Valve Lpg	2266804SP	
26	Knob Valve Control Knob	222518SP	
27	Control Board Thermister Assembly	4701616SP	
	Thermistor Only	5311626SP	
29	Bracket Thermostat Mounting	4702010SP	
30	Bracket Lower Cabinet	4702011SP	
31	Fan Assy	4700806SP	
32	Console Extensions	4700114SBSP	
33	Shaft Assy Rear Register	4700140SP	
	Knob	2290324SP	
34	Piezo Ignitor	6025840SP	
	Leadwire Assy Piezo	2265873SP	
35	Thermocouple Assy	0163119SP	
36	Thermostat Fan 45Deg	0162630SP	
37	Thermostat Cutout	2055821SP	
37a	Loom & Thermocouple Assy	4701618SP	
38a	Tube Valve To Burner	4700910SP	Stainless Steel Burner
38b	Pipe Assy - Valve to Murner - Man	2265878SP	Cast Iron Burner
39	Tube Valve to Pilot	4700905SP	

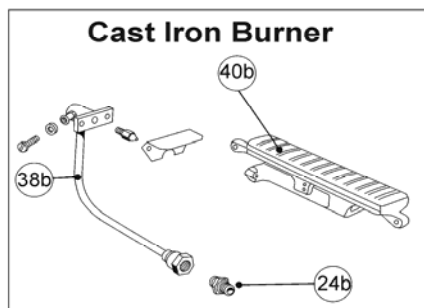
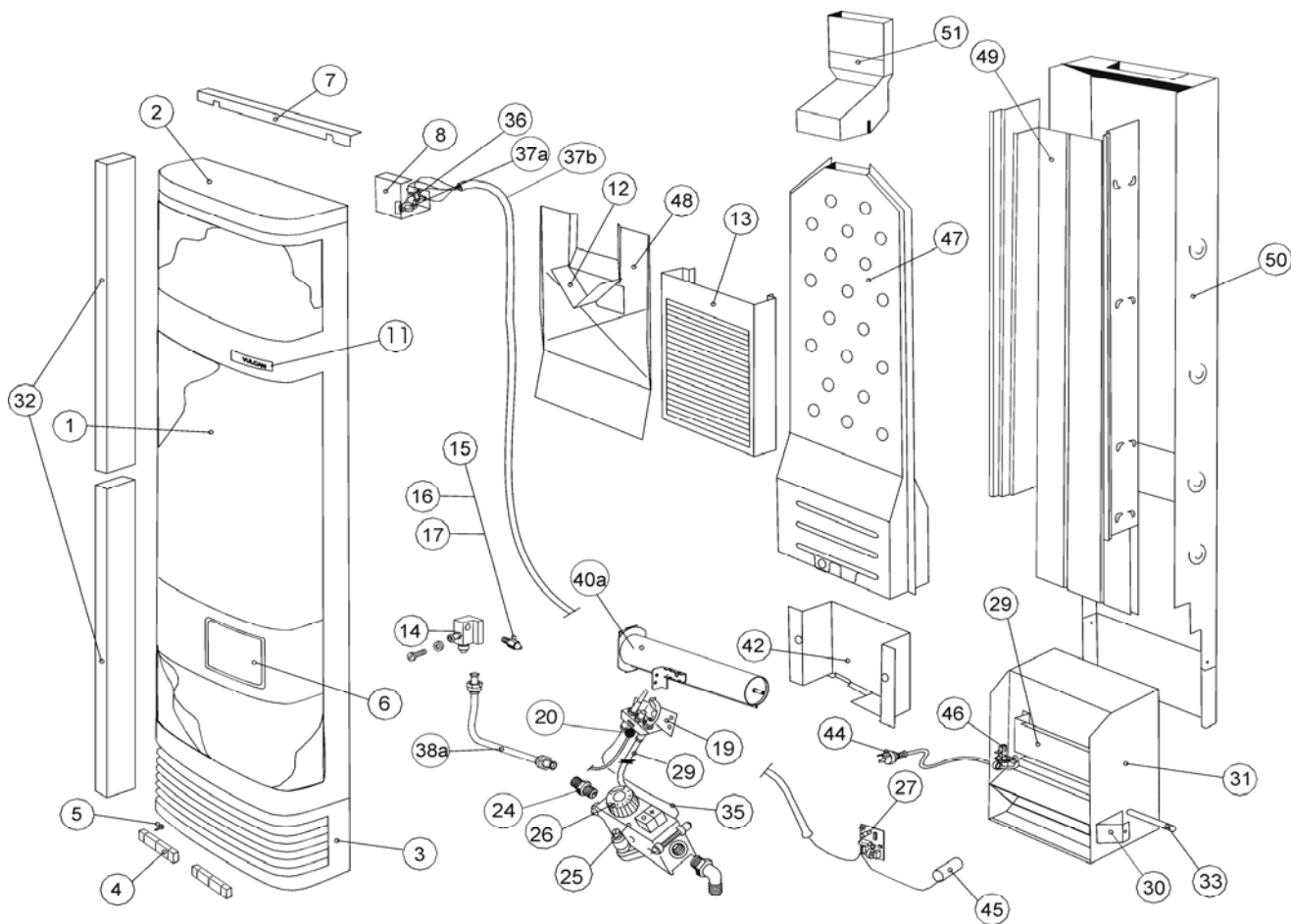


# REPLACEMENT PARTS MANUAL

Date Issued  
**1-Jul-09**  
Issue Status  
**E**

Product Section Details  
**Vulcan Wall Furnace - Silhouette 26.4MJ & 40MJ**  
Inbuilt & Console - Manual

Section No  
**H6.03**  
Page  
**3**





# REPLACEMENT PARTS MANUAL

Date Issued <b>1-Jul-09</b>	Product Section Details <b>Vulcan Wall Furnace - Silhouette 26.4MJ &amp; 40MJ</b>	Section No <b>H6.03</b>
Issue Status <b>E</b>	Inbuilt & Console - Manual	Page <b>4</b>

ITEM NUMBER	DESCRIPTION	PART NUMBER	COMMENTS
40a	Burner Stainless Steel	4700602SP	
40b	Cast Burner	2025890SP	
42	Burner Channel Welded	4700606SP	
44	Service Lead	3801601SP	
45	Capacitor 1Uf	0160181SP	
46	Cable Clamp & Terminal Block	904160SP	
47	Heat Exchanger 26.4Mj	2265843BPSP	
	Heat Exchanger 40Mj	2025912BPSP	
48	Panel Draft Divert Sheild	226514DMSP	
49	Rework Heatshield Kit	4789924SP	
50	Case Outer Assenbly	226525-XSP	
51	Draft Diverter	2025838SP	
	Accessories		
	Rear Register Mechanism	4700123SP	
	Rear Register Weld Assembly	4701801SBSP	
	Flue Screen 12Ft Ceiling	2224SBSP	
	Flue Screen Small	2223SBSP	
	Conversion Kits		
	26Mj Conversion Kit - NG to LPG	4701304SP	
	26Mj Conversion Kit - LPG - NG	4701305SP	
	40Mj Conversion Kit - NG to LPG	4701306SP	
	40Mj Conversion Kit - LPG - NG	4701307SP	



*“Excelling today for a better tomorrow”*

**Text and Illustration Copyright Climate Technologies 2006**

All rights reserved. No part of this document may be reproduced or transmitted in any form or by any means, electronic or mechanical, including photocopying, recording or by any information storage and retrieval system, without prior permission in writing from Climate Technologies

In the interest of continued product improvement Climate Technologies reserves the right to alter specifications without notice. E.&O.E.