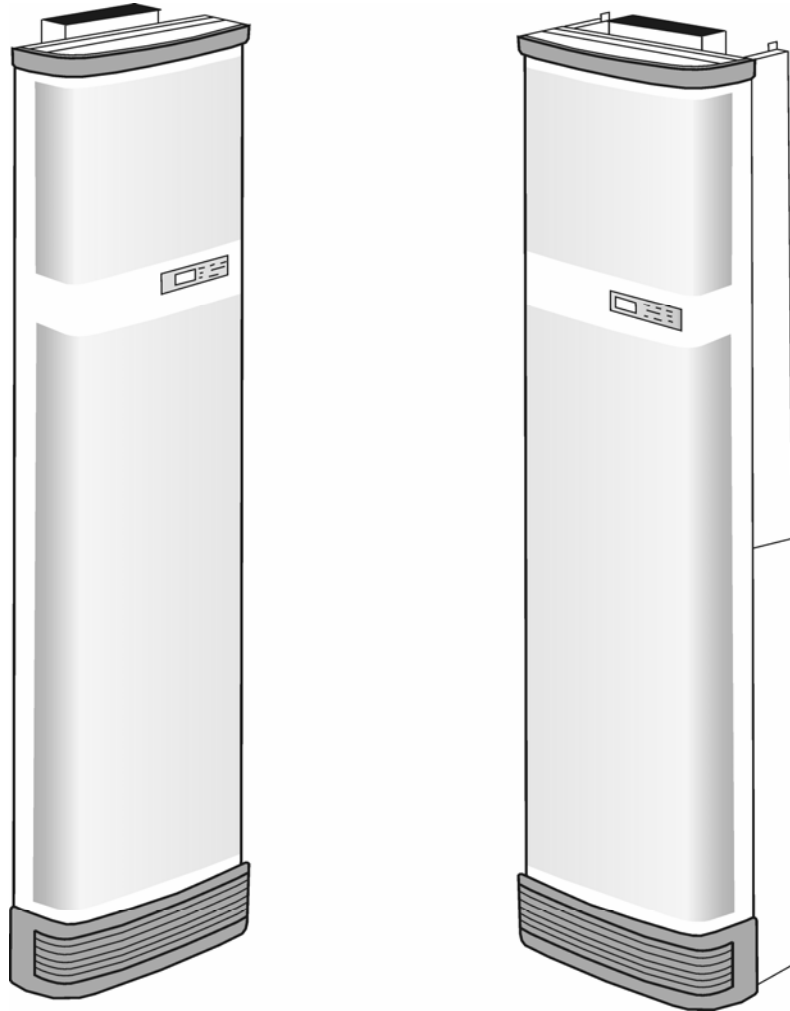


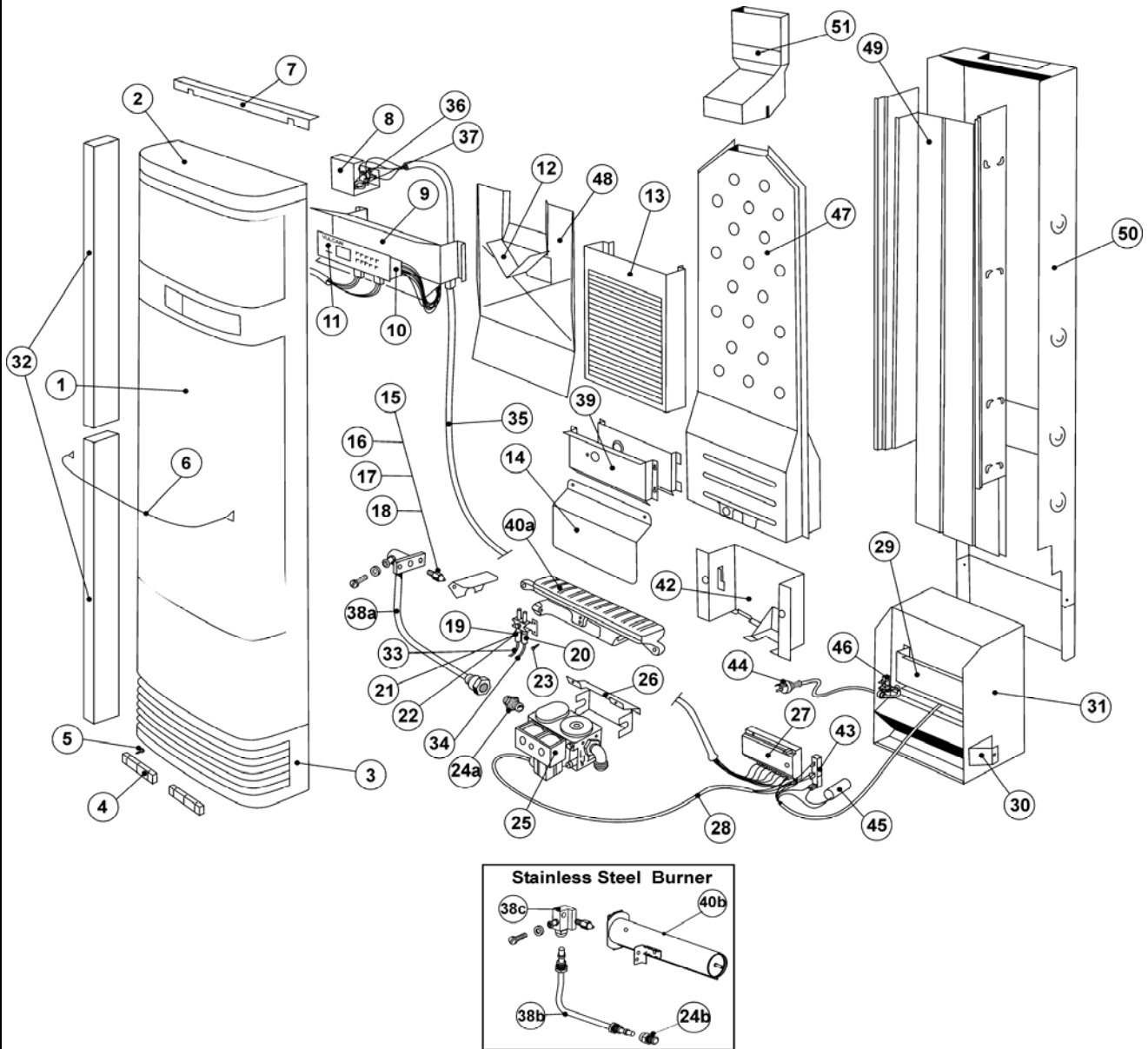
Date Issued 30-Jun-09	Product Section Details Vulcan Wall Furnace - Silhouette	Section No H6.02
Issue Status C		Page



Silhouette Wall Furnace

Electronic
26.4 MJ & 40MJ
NG, LPG
Inbuilt, Console

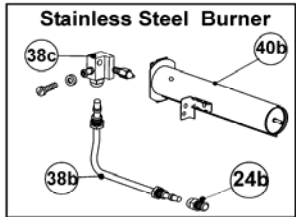
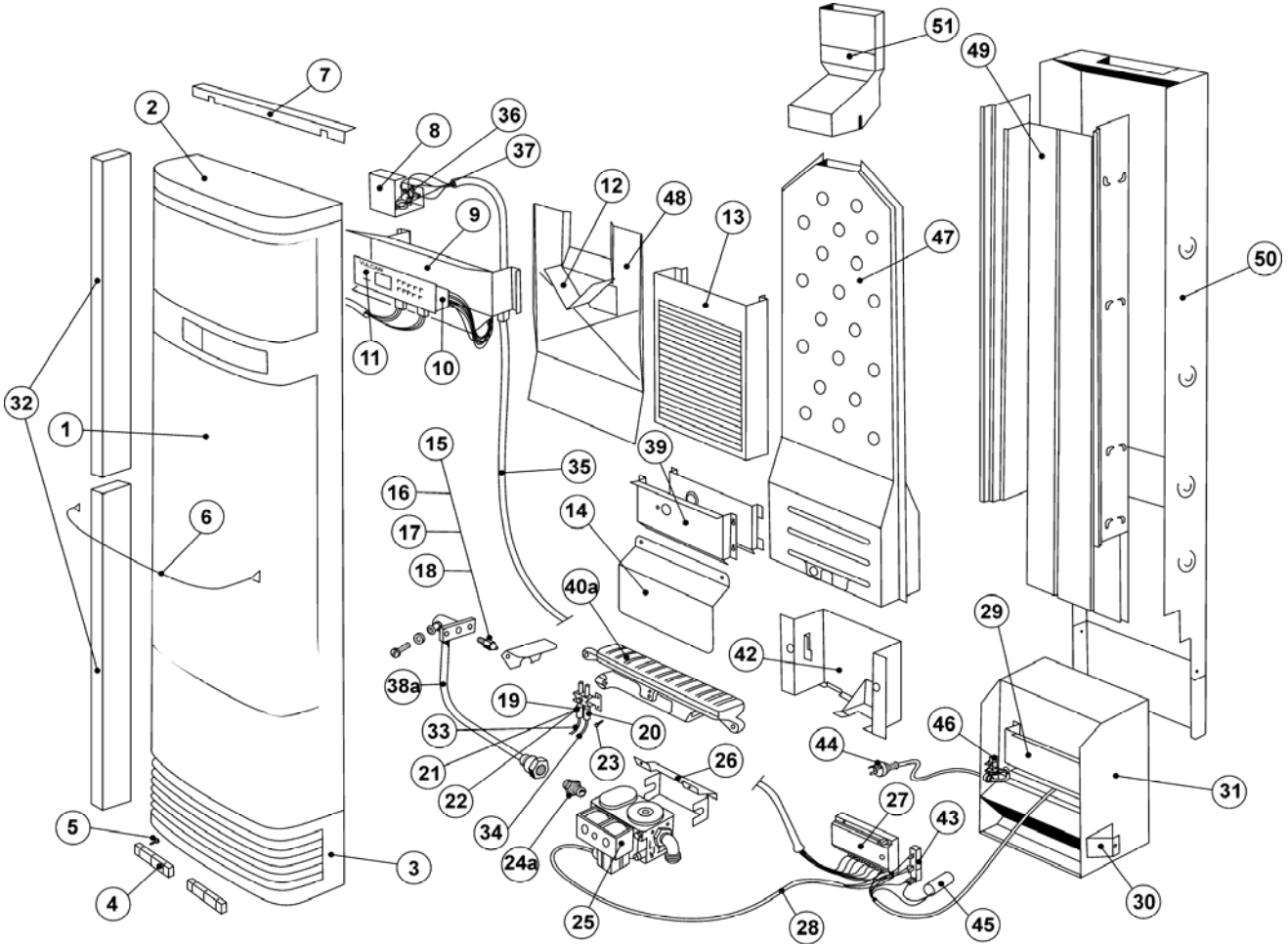
Date Issued 30-Jun-09	Product Section Details Vulcan Wall Furnace - Silhouette	Section No H6.02
Issue Status C	Inbuilt & Console - Electronic 26.4MJ & 40 MJ, NG & LPG	Page 1



Date Issued 30-Jun-09	Product Section Details Vulcan Wall Furnace - Silhouette	Section No H6.02
Issue Status C	Inbuilt & Console - Electronic 26.4MJ & 40 MJ, NG & LPG	Page 2

ITEM NUMBER	DESCRIPTION	PART NUMBER	COMMENTS
1	Cabinet Elec Perf	4700110SBSP	
2	Top Moulding	4700101SP	
3	Outlet Fan Moulded	4700122SP	
4	Clamp Outlet Case	4700105SP	
5	Screw Mould Attach	0141492SP	
6	Wire Support Rod Black	4700113BKSP	
7	Panel Cab Support Channel	4701401SP	
8	Bracket Fan Overtemp	4702017SP	
9	Panel Clock Heat Shield	4780110SP	
10	Thermostat Control Module	4701001SP	
11	Label Electronic	4702201SP	
12	Panel Draft Shield Extension	4700121SP	
13	Heat Shield Welded Inner Assy	4700125SP	
14	Cover Valve	4700119SP	
	Cover Valve/Burner	4700126SP	
15	Jet 2.4Mm Ng 26Mj	0081010SP	
16	Jet 1.5Mm Lpg 26Mj	0081011SP	
17	Jet 1.8Mm Lp 40Mj	0081012SP	
18	Jet 3.0Mm Ng 40Mj	0081013SP	
19	Electrode Flame Sensor	4701203SP	
20	Electrode Spark	4701203SP	
21	Bracket Elec Short 0.978.009	4702001SP	
22	Bracket Electronic Long	4702002SP	
23	Screw	4702003SP	
24	Nipple 1/2"-3/8" Flare	0100454SP	Cast Iron Burner Pre June 2004
24	Adaptor 3/8	0100415SP	S/Steel Burner Post June 2004
	Nut 3/8	0100416SP	S/Steel Burner Post June 2004
	Olive 3/8	0100417SP	S/Steel Burner Post June 2004
25	Valve Assy Tamden	4701204SP	
26	Bracket Valve Mounting	4702012SP	
27	Ignitor Module	4701201SP	
28	Loom Tandem Plug & Lead	4701608SP	New Rear Register
29	Bracket Electronics Mounting	4702010SP	
30	Bracket Lower Cabinet	4702011SP	
31	Fan Assy	4700806SP	
32	Console Extensions	4700114SBSP	
33	Leadwire Flame Sensor	4701606SP	
34	Leadwire High Tension Elec	4701605SP	
35	Loom Main	4701610SP	Includes 1.6amp Wick Blow Fuse Assly.
36	Thermostat 45 Deg 26Mj	0162630SP	Stainless Steel Burner Only
37	Thermostat Cutout	2055821SP	
38A	Tube Valve To Burner Assy	2265878SP	C/Iron Burner Pre June 2004
38B	Tube Valve To Burner	4700910SP	S/Steel Burner Pre June 2004
38C	Injector Block	4700912SP	S/Steel Burner Post June2004

Date Issued 30-Jun-09	Product Section Details Vulcan Wall Furnace - Silhouette	Section No H6.02
Issue Status C	Inbuilt & Console - Electronic 26.4MJ & 40 MJ, NG & LPG	Page 3



Date Issued 30-Jun-09	Product Section Details Vulcan Wall Furnace - Silhouette	Section No H6.02
Issue Status C	Inbuilt & Console - Electronic 26.4MJ & 40 MJ, NG & LPG	Page 4

ITEM NUMBER	DESCRIPTION	PART NUMBER	COMMENTS
39	Burner Cover Assy	2025899SP	
40A	Cast Burner	2025890SP	
40B	Burner Stainless Steel	4700602SP	
41	Panel Draft Divert Sheild	226514DMSP	
42	Burner Support W/A Black	2265876CCSP	
43	Resistor	H2265137SP	
44	Service Lead	3801601SP	
45	Capacitor 1Uf	0160181SP	
46	Cable Clamp & Terminal Block	904160SP	
47	Heat Exchanger 26.4Mj	2265843BPSP	
	Heat Exchanger 40Mj	2025912BPSP	
48	Panel Draft Divert Sheild	226514DMSP	
49	Rework Heatshield Kit	4789924SP	
50	Case Outer Assenbly	226525-XSP	
51	Draft Diverter	2025838SP	
	Thermister Assembly	4701616sp	
	Accessories		
	Comfort Control Gas W	4701002CSP	
	Rear Register Perf. Cab S/B	4701902SBSP	With Cable Assembly
	Rear Register Kit	2281SP	
	Knob	2290324sp	
	Rear Register Mechanism	4700123SP	
	Rear Register Weld Assembly	4701801SBSP	
	Flue Screen 12Ft Ceiling	2224SBSP	
	Flue Screen Small	2223SBSP	
	Twin Skin Flue 2057Mm	1418SP	
	Twin Skin Flue 774Mm	1447SP	
	Joiner Kit	1419sp	



“Excelling today for a better tomorrow”

Text and Illustration Copyright Climate Technologies 2006

All rights reserved. No part of this document may be reproduced or transmitted in any form or by any means, electronic or mechanical, including photocopying, recording or by any information storage and retrieval system, without prior permission in writing from Climate Technologies

In the interest of continued product improvement Climate Technologies reserves the right to alter specifications without notice. E.&O.E.