



REPLACEMENT PARTS MANUAL

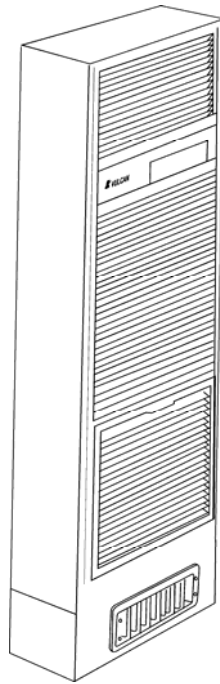
Date Issued
30-Jun-09

Issue Status
D

Product Section Details
Vulcan Wall Furnace -26.4MJ & 40MJ

Section No
H6.01

Page



Wall Furnace

Quasar Manual

Quasar Electronic

Classic



REPLACEMENT PARTS MANUAL

Date Issued
30-Jun-09

Product Section Details

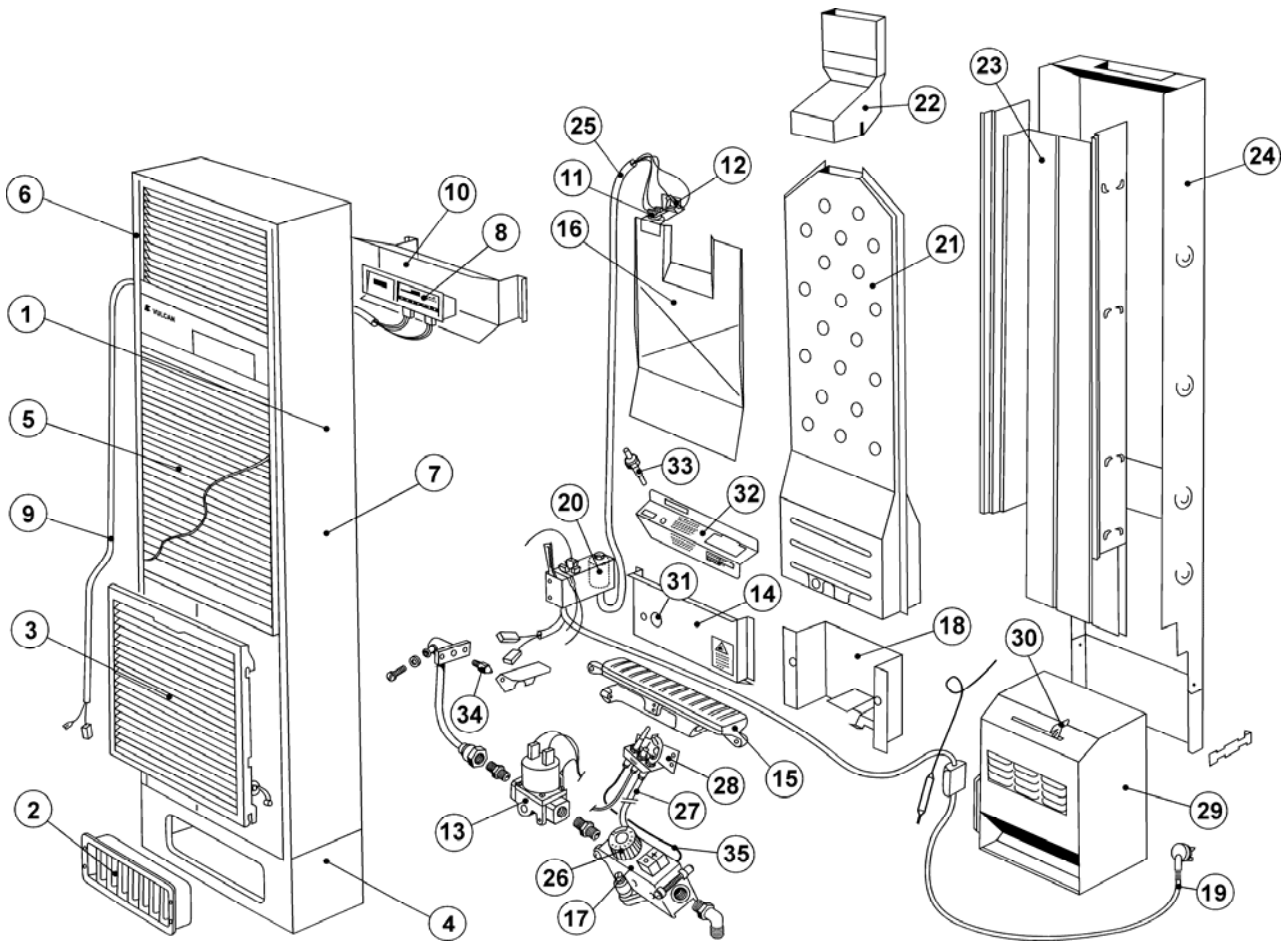
Section No
H6.01

Issue Status
D

Vulcan Wall Furnace -26.4MJ & 40MJ

Quasar Manual, Quasar Electronic, Classic
Inbuilt & Console - Manual and Electronic

Page
1





REPLACEMENT PARTS MANUAL

| | | |
|---------------------------------|--|----------------------------|
| Date Issued 30-Jun-09 | Product Section Details Vulcan Wall Furnace -26.4MJ & 40MJ | Section No H6.01 |
| Issue Status D | Quasar Manual, Quasar Electronic, Classic Inbuilt & Console - Manual and Electronic | Page 2 |

| ITEM NUMBER | DESCRIPTION | PART NUMBER | COMMENTS |
|-------------------|-------------------------------|-------------------|------------------------|
| 1 | Front Frame Inb Elec Sbeige | 2273828SBSP | Without Clock Assembly |
| | Front Frame Inb Elec Grey | N.L.A | Without Clock Assembly |
| | Front Frame Inb Elec Almd | 2273863SP | |
| | Front Frame Cons Elec Sbeige | 2277803SBSP | Without Clock Assembly |
| | Front Frame Cons Elec Grey | N.L.A | Without Clock Assembly |
| | Front Frame Cons Elec Almd | 2277809SP | |
| | Front Frame Cons Man Sbeige | 2269803SBSP | |
| | Front Frame Cons Man Grey | N.L.A | |
| | Front Frame Cons Man Almd | 2269809SP | |
| | Front Frame Inb Man Sbeige | 2055810SBSP | |
| | Front Frame Inb Man Almd | 2055816SP | |
| | Front Frame Inb Man Grey | N.L.A | |
| | 2 | Fan Outlet Sbeige | 2283809SBSP |
| Fan Outlet Almond | | 2283819SP | |
| Fan Outlet Sbeige | | 2283809SBSP | |
| 3 | Door Assy Silver Beige | 2265906SBSP | |
| | Door Assy Grey | N.L.A | |
| | Door Assy Almond | 2055823SP | |
| | Spring Door Short | N.L.A | |
| 4 | Panel Skirt Console Sbeige | 22833SBSP | |
| | Panel Skirt Console Almond | 2283816SP | |
| | Panel Skirt Console Grey | N.L.A | |
| | Panel Skirt Inbuilt Sbeige | 22843SBSP | |
| | Panel Skirt Inbuilt Grey | N.L.A | |
| | Panel Skirt Inbuilt Almond | 2284803SP | |
| 5 | Front Louvre Elec Sbeige | 2265181SBSP | |
| | Front Louvre Elec Almond | 2063804SP | |
| | Front Louvre Elec Grey | N.L.A | |
| | Front Louvre Man Sbeige | 2265948SBSP | |
| | Front Louvre Man Grey | N.L.A | |
| | Front Louvre Man Almond | 2265948SP | |
| | Escutcheon Panel | N.L.A | |
| | Escutcheon Electronic | 22731SP | |
| 6 | Panel Case Side Lh Inb Sbg | 2284891SBSP | |
| | Panel Case Side Lh Inb Alm | 2265943SP | |
| | Panel Case Side Lh Inb Gry | N.L.A | |
| | Panel Case Side Lh Con Sbg | 2277801SBSP | |
| | Panel Case Side Lh Con Alm | 2067811SP | |
| | Panel Case Side Lh Con Grey | N.L.A | |
| 7 | Panel Case Side Rh Inb Sbeige | 2284890SBSP | |
| | Panel Case Side Rh Inb Alm | 2265942SP | |
| | Panel Case Side Rh Inb Grey | N.L.A | |
| | Panel Case Side Rh Con Sbg | 2269802SBSP | |
| | Panel Case Side Rh Con Alm | 2067810SP | |



REPLACEMENT PARTS MANUAL

Date Issued
30-Jun-09

Product Section Details

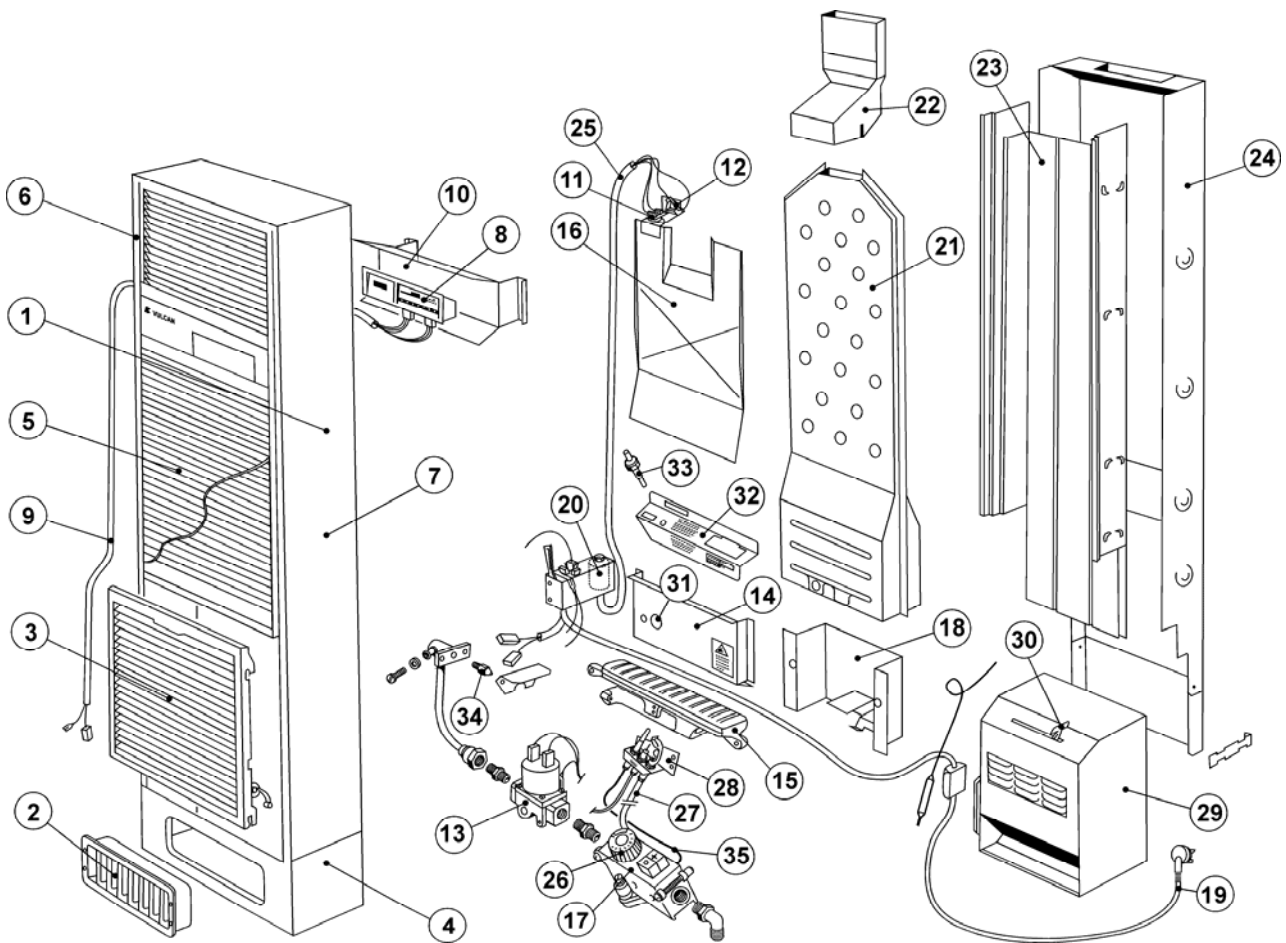
Section No
H6.01

Issue Status
D

Vulcan Wall Furnace -26.4MJ & 40MJ

Quasar Manual, Quasar Electronic, Classic
Inbuilt & Console - Manual and Electronic

Page
3





REPLACEMENT PARTS MANUAL

| | | |
|---------------------------------|--|----------------------------|
| Date Issued 30-Jun-09 | Product Section Details Vulcan Wall Furnace -26.4MJ & 40MJ | Section No H6.01 |
| Issue Status D | Quasar Manual, Quasar Electronic, Classic Inbuilt & Console - Manual and Electronic | Page 4 |

| ITEM NUMBER | DESCRIPTION | PART NUMBER | COMMENTS |
|-------------|-----------------------------|-------------|----------------------|
| 7 | Panel Case Side Rh Con Grey | N.L.A | |
| 8 | Clock Assy Grey | 2063812SP | |
| | Clock Assy Almond | N.L.A | |
| 9 | Loom Elect To Timer | 2265820SP | |
| 10 | Panel Clock Heat Sheild | 4780110SP | |
| 11 | Thermostat 45 Deg 26Mj | 0162630SP | Pre 95 Use 2265893Sp |
| 12 | Thermostat Cutout | 2055821SP | |
| 13 | Valve Solonoid Assy | 2273882SP | |
| | Solonoid Coil 240Vac | 2273885SP | |
| | Tube & Injector Weld Assy | N.L.A | |
| | Tube Valve To Burner Assy | 2265878SP | |
| 14 | Burner Cover Assy | 2025899SP | |
| 15 | Cast Burner | 2025890SP | |
| 16 | Panel Draft Divert Sheild | 226514DMSP | |
| 17 | Gas Valve Ng | 2265882SP | |
| | Gas Valve Lpg | 2266804SP | |
| 18 | Burner Support Weld Assy | N.L.A | |
| 19 | Service Lead | 3801601SP | |
| 20 | Electrics Box Electronic | N.L.A | |
| | Electrics Box Assy Man 40 | 4789908SP | |
| | Capacitor 1Uf | 4789922SP | |
| | Switch 20Amp | 1001901SP | |
| 21 | Heat Exchanger 26.4Mj | 2265843BPSP | |
| | Heat Exchanger 40Mj | 2025912BPSP | |
| 22 | Draft Diverter | 2025838SP | |
| 23 | Rework Heatshield Kit | 4789924SP | |
| 24 | Case Outer Assenbly | 226525-XSP | |
| 25 | Loom Cutout | 2055812SP | |
| 26 | Knob Valve Control Knob | 222518SP | |
| 27 | Pipe Pilot Long | 2265959SP | |
| 28 | Pilot Assy Ng Sit | 0081420SP | Standard As Ng |
| | Jet Pilot N.G | 4944947SP | |
| | Jet Pilot Lpg | 4916819SP | |
| | Jet Pilot Tip | N.L.A | |
| | Jet Pilot Town Gas | N.L.A | |
| | Electrode | 491468SP | |
| 29 | Fan Box Spares | 2565807SP | |
| | Resistor Assy Fan | 2265961SP | |
| 30 | Control Knob | 25657SP | |
| 31 | Glass Sight | 6017829SP | |
| 32 | Panel Control | 2265954SP | |
| 33 | Ingitor Piezo | 6025870SP | |
| | Leadwire Assy Piezo | 2265873SP | |



REPLACEMENT PARTS MANUAL

Date Issued
30-Jun-09

Product Section Details

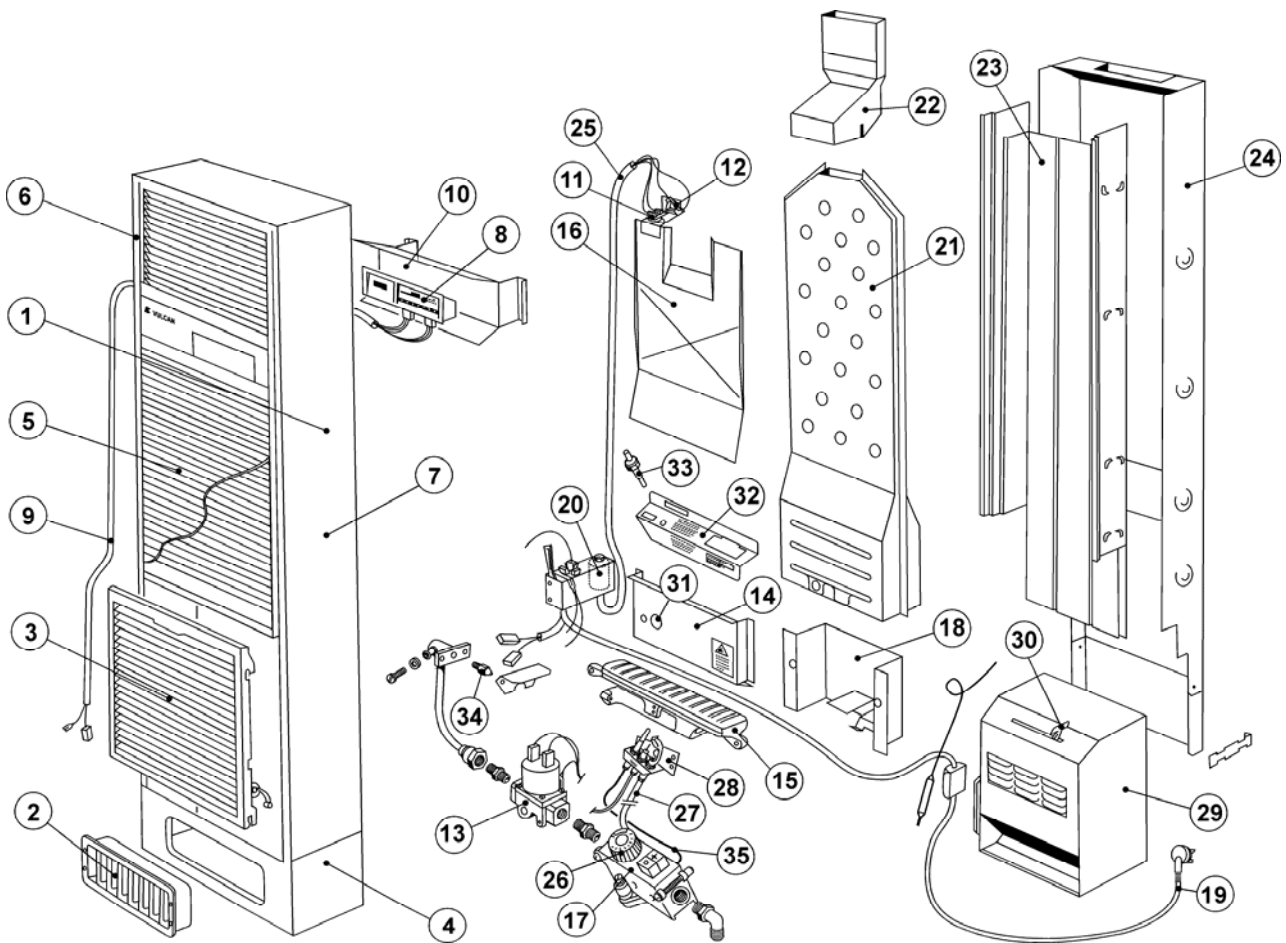
Section No
H6.01

Issue Status
D

Vulcan Wall Furnace -26.4MJ & 40MJ

Quasar Manual, Quasar Electronic, Classic
Inbuilt & Console - Manual and Electronic

Page
5





REPLACEMENT PARTS MANUAL

| | | |
|---------------------------------|--|----------------------------|
| Date Issued 30-Jun-09 | Product Section Details Vulcan Wall Furnace -26.4MJ & 40MJ | Section No H6.01 |
| Issue Status D | Quasar Manual, Quasar Electronic, Classic Inbuilt & Console - Manual and Electronic | Page 6 |

| ITEM NUMBER | DESCRIPTION | PART NUMBER | COMMENTS |
|-------------|----------------------------|-------------|-------------------------------------|
| 34 | Jet 2.25Mm Ng | 0081021SP | |
| | Jet Burner Lpg | 0081022SP | |
| | Jet Burner Tlp | 22681SP | |
| | Jet Burner Tg | 22671SP | |
| | Jet Burner Ng | 22373SP | |
| | Jet Burner Propane | 22381SP | |
| | Jet Burner Tlp 40Mj | N.L.A | |
| | Jet Burner Town Gas 40Mj | N.L.A | |
| 35 | Thermocouple Assy | 0163119SP | C/W Interrupter Block:O/Temp Cutout |
| | Thermocouple Universal | 9021879SP | |
| 36 | Thermostat B/Cap-38C | 0080556SP | |
| | Items Not Shown | | |
| | Panel Flue Adaptor | 2025920SP | |
| | Rectifier-240V Dc | N.L.A | |
| | Ignitor Electrode | 491468SP | |
| | Bracket Top Mounting Plate | 4782014SP | |
| | Bracket Bottom Mounting | 4702013SP | |
| | Thermostat B/Cap-38C | 0080556SP | |
| | Flue Screen 12Ft Ceiling | N.L.A | |
| | Flue Screen Small | N.L.A | |
| | Label Propane | 0170307sp | |
| | Label Natural Gas | 0170306sp | |
| | Rear Register Perf.Cab S/B | 4701902sbsp | |
| | Knob | 2290324sp | |
| | Rework Kits | | |
| | Rework Heatshield Kit | 4789924SP | |
| | Rework Thrmostat O/T Man | 4789940SP | |
| | Rework Thermostat/Loom | 4789926SP | |
| | Rework Thermostat/Loom | 4789927SP | |



“Excelling today for a better tomorrow”

Text and Illustration Copyright Climate Technologies 2006

All rights reserved. No part of this document may be reproduced or transmitted in any form or by any means, electronic or mechanical, including photocopying, recording or by any information storage and retrieval system, without prior permission in writing from Climate Technologies

In the interest of continued product improvement Climate Technologies reserves the right to alter specifications without notice. E.&O.E.