



REPLACEMENT PARTS MANUAL

Date Issued
1-Jul-08

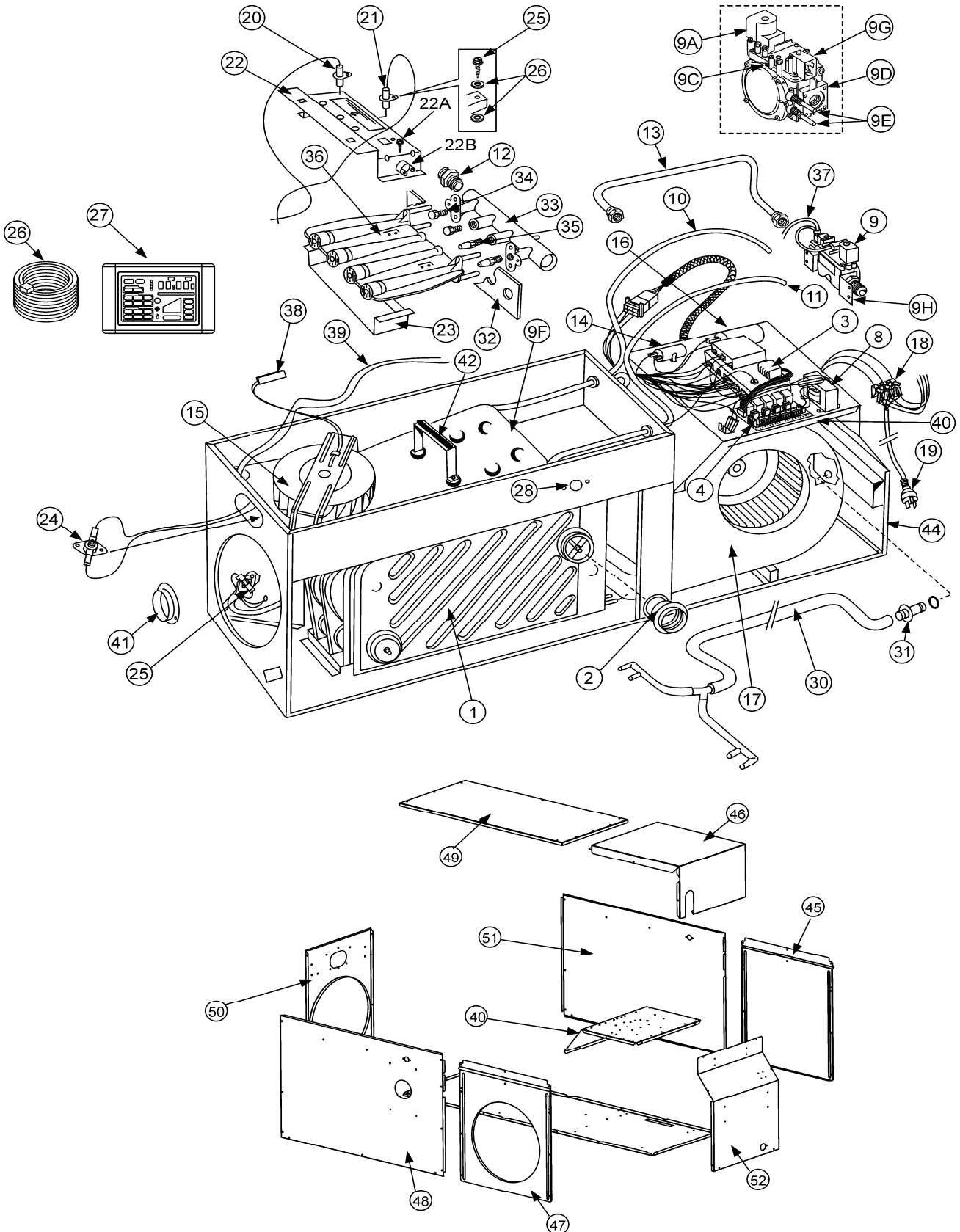
Product Section Details

Section No
H11.01

Issue Status
C

P5 High Efficiency - Internal
21Kw, 30Kw, 30Kw XA

Page
1



© Copyright 2003



REPLACEMENT PARTS MANUAL

Date Issued 1-Jul-08	Product Section Details P5 High Efficiency - Internal	Section No H11.01
Issue Status C	21Kw, 30Kw, 30Kw XA	Page 2

ITEM NUMBER	DESCRIPTION	PART NUMBER	COMMENTS
1	HEAT EXCHANGER 120MG 0.07	5031301SP	30KW, 30KW XA
	HEAT EXCHANGER 90MJ 0.7	5021301SP	21KW
	CONTROL BOX COMBUSTION	924112SP	
2	CONNECTOR FLUE OUTLET	9041917SP	
	BRACKET FLUE SUPPORT	9041199SP	
	BRACKET FLUE SUPPORT	5012001SP	
3	CONTROL BOARD PNE MOD	5311230SP	NLA
	CONTROL BOARD MOD CLAMSHELL	5311231SP	
8	TRANSFORMER 240/24V AC	5311627SP	
9	VAVLE NOVAMIX SIT828 NG	5001202SP	AIR RATIO 1:3.5
9A	SOLENOID COIL EV1	5001672SP	
9B	COMPRESSION NUT & OLIVE	4914165SP	
9C	PLUG NOVAFIX OFFSET	5001207SP	
9D	SCREW M5X6MM	0141593SP	VALVE BRACKET MOUNTING SCREW
9E	TUBE AL 60MM	5000911SP	
9F	TUBE FLUE SENSOR 85 MJ	5000912SP	30KW, 30KW XA
	TUBE FLUE SENSOR 60 MJ	5000913SP	21KW
9G	SOLENOID COIL EV2	5001673SP	
9H	BRACKET VALVE BRACKET	5002011SP	
10	TUBE GAS VALVE 930MM	5000909SP	
11	TUBE GAS VALVE 1530 M	5000910SP	
12	COMP. NIPPLE BR 1/2"BSP	0100484SP	
13	PIPE VALVE OUTLET-INT	5000903SP	
14	CAPACITOR 1.5UF	2565811SP	
14A	CLIP CAPACITOR	0140467SP	
15	COMBUSTION FAN ASSY	5000803SP	
16	CAPACITOR 8UF	9041888SP	21KW
	CAPACITOR 15UF	9043821SP	30KW
	CAPACITOR 20UF	9063800SP	30KW XA
17	FAN ASSY 250W-S/S (5011605SP)	9241851SP	21KW
	FAN ASSY 600W S/S (5011606SP)	9243802SP	30KW
	FAN ASSY 750W S/S (5011607SP)	9263802SP	30KW XA
	MOTOR 250W S/SPD R/A FAN	5011605SP	21KW
	MOTOR 600W S/SPD R/A FAN	5011606SP	30KW
	MOTOR 750W S/SPD R/A FAN	5011607SP	30KW XA
17A	BRACKET ROOM FAN PLUG	5002017SP	
18	TERMINAL BLOCK - SERVICE LEAD	2291647SP	
18A	SCREW - 8X1/2 +/- hd blv4305	0141455SP	
19	SERVICE LEAD	3801601SP	
20	ELECTRODE FLAME SENSOR	9041974SP	
21	ELECTRODE INGNITOR(0161021)	9041912SP	
22	PANEL BURNER COVER UPPER	5002019SP	
22A	THERMOSTAT OVERTEMP 110C	0162634SP	
22B	SCREW 4X3/8	0141462SP	



REPLACEMENT PARTS MANUAL

Date Issued
1-Jul-08

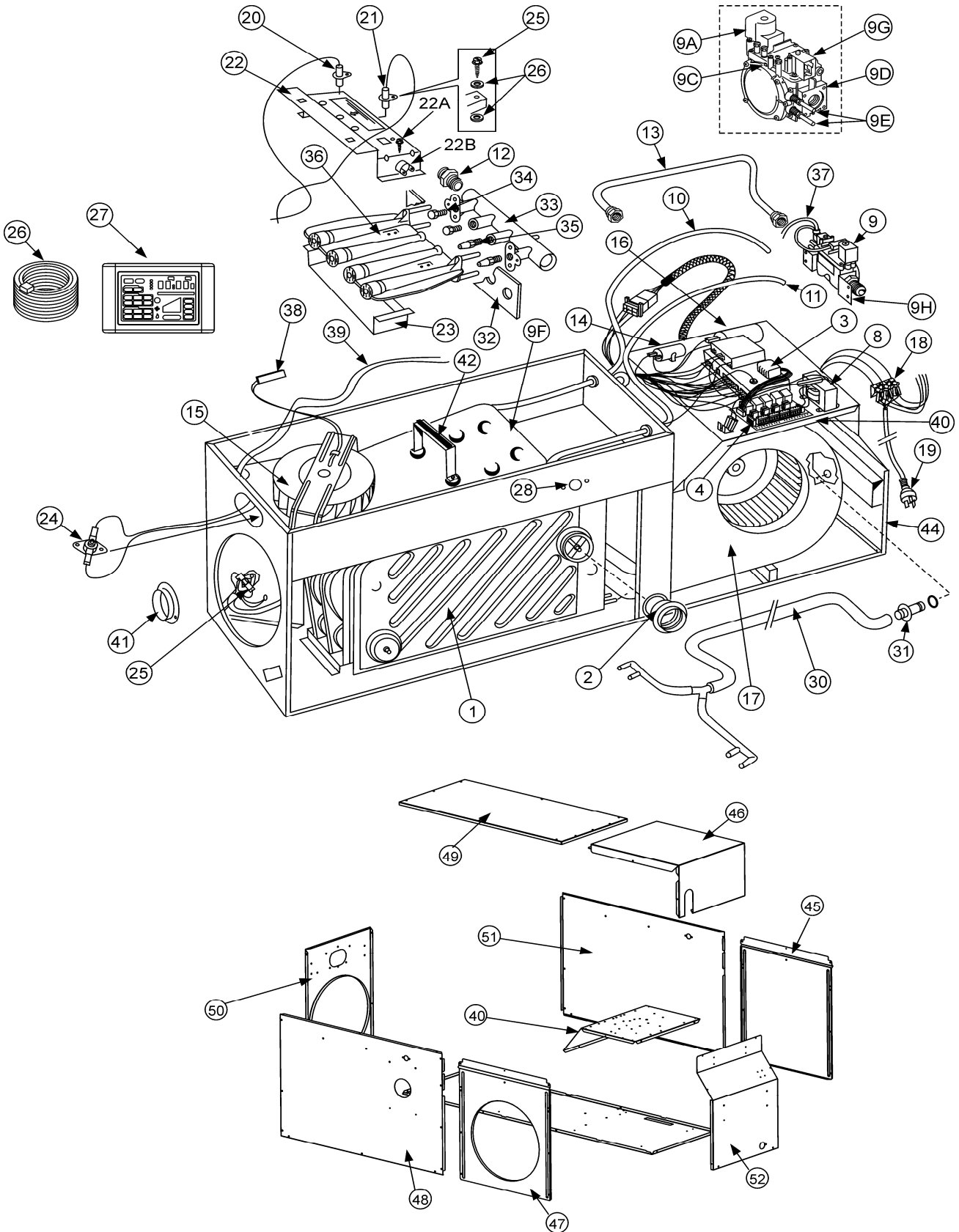
Product Section Details

Section No
H11.01

Issue Status
C

P5 High Efficiency - Internal
21Kw, 30Kw, 30Kw XA

Page
3



© Copyright 2003



REPLACEMENT PARTS MANUAL

Date Issued 1-Jul-08	Product Section Details P5 High Efficiency - Internal	Section No H11.01
Issue Status C	21Kw, 30Kw, 30Kw XA	Page 4

ITEM NUMBER	DESCRIPTION	PART NUMBER	COMMENTS
23	PANEL BURNER COVER LOWER	9041352SP	
24	THERMOSTAT MAN RESET C/OUT	9041914SP	
25	THERMOSTAT OUTLET AIR	9041916SP	
26	LOOM WIRING LV 20 MTR PNE	2511617SP	
27	TOUCHPAD PYROX (PNE)	5310020SP	
28	GLASS SIGHT WINDOW	9021146SP	
30	CONDENSATE TUBE 765mm	905167SP	
	CONDENSATE Y PIECE	9041924SP	
	CONDENSATION PIPE CLAMP	7021536SP	
	CONDENSATION PIPE PLUG	9041176SP	
31	CONDENSATE DRAIN OUTLET SP	0101310SP	
32	MANIFOLD GASKET	924110SP	
33	MANIFOLD	9041989SP	
34	MANIFOLD PLUG	9041161SP	
35	JET NG 3.0MM	0081016SP	30KW, 30KW XA
	JET NG 2.8MM	5011302SP	21KW
36	BURNER ASSEMBLY	9241800SP	
37	PLUG DOUBLE & LEAD	5001617SP	
38	INSULATOR QC 6.3MM	0161102SP	
39	LOOM ROOM AIR CUT OUT INT	5001627SP	THERMISTOR ONLY AVAIL IN LOOM
40	PANEL ELECTRIC EXT	5010119SP	
41	COMBUSTION AIR INLET	9041175SP	30KW, 30KW XA
42	LID POST	905194SP	
44	PANEL VALVE MOUNTING	5000147SP	
45	PANEL FAN ACCESS	5010134SP	21KW, 30KW
	PANEL FAN ACCESS	5010133SP	30KW XA
46	PANEL FAN ACCESS	5010123SP	
47	PANEL FAN INLET 12"	5010131SP	21KW
	PANEL FAN INLET 14"	5010130SP	30KW
	PANEL FAN INLET 14"	5010132SP	30KW XA
48	PANEL SIDE LH	5010138SP	
49	PANEL TOP	5010122SP	
50	PANEL REAR 12"	5010126SP	21KW
	PANEL REAR 14"	5010127SP	30KW, 30KW XA
51	PANEL SIDE RH	5010139SP	
52	PANEL VALVE MOUNTING	5010125SP	
	ACCESSORIES		
	TUBE INLET NG	9241858SP	
	TUBE INLET LPG	9242809SP	
	RESILIENT MOUNT	9041932SP	
	COWL ASSY	9241855SP	