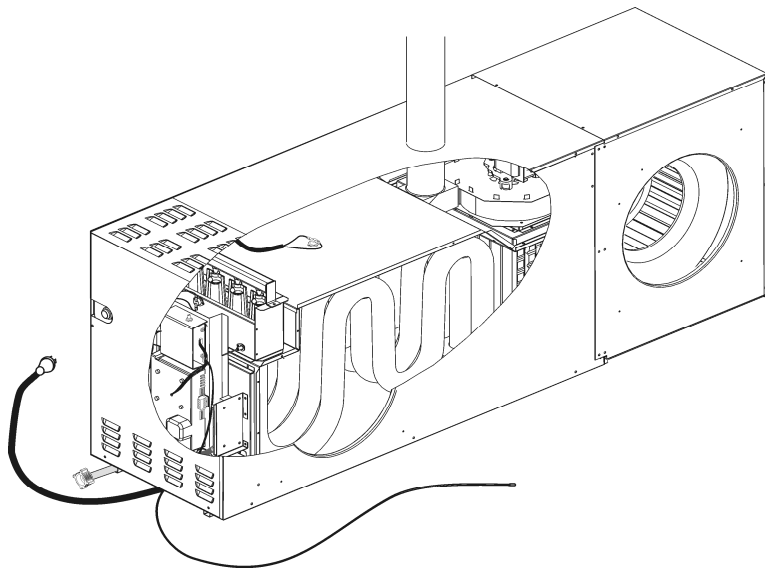


Date Issued
1-Mar-15

Product Section Details

Section No
H10.11Issue Status
B**BV5 High Efficiency Ducted Gas Central Heating**

Page

**Models: BV5 15, 21, 21xa, 30, 30xa, 35**

5110003 BV5 15l 15Kw Internal

5110013 BV5 21l 21Kw Internal

5110017 BV5 21l 21Kw X/A Internal

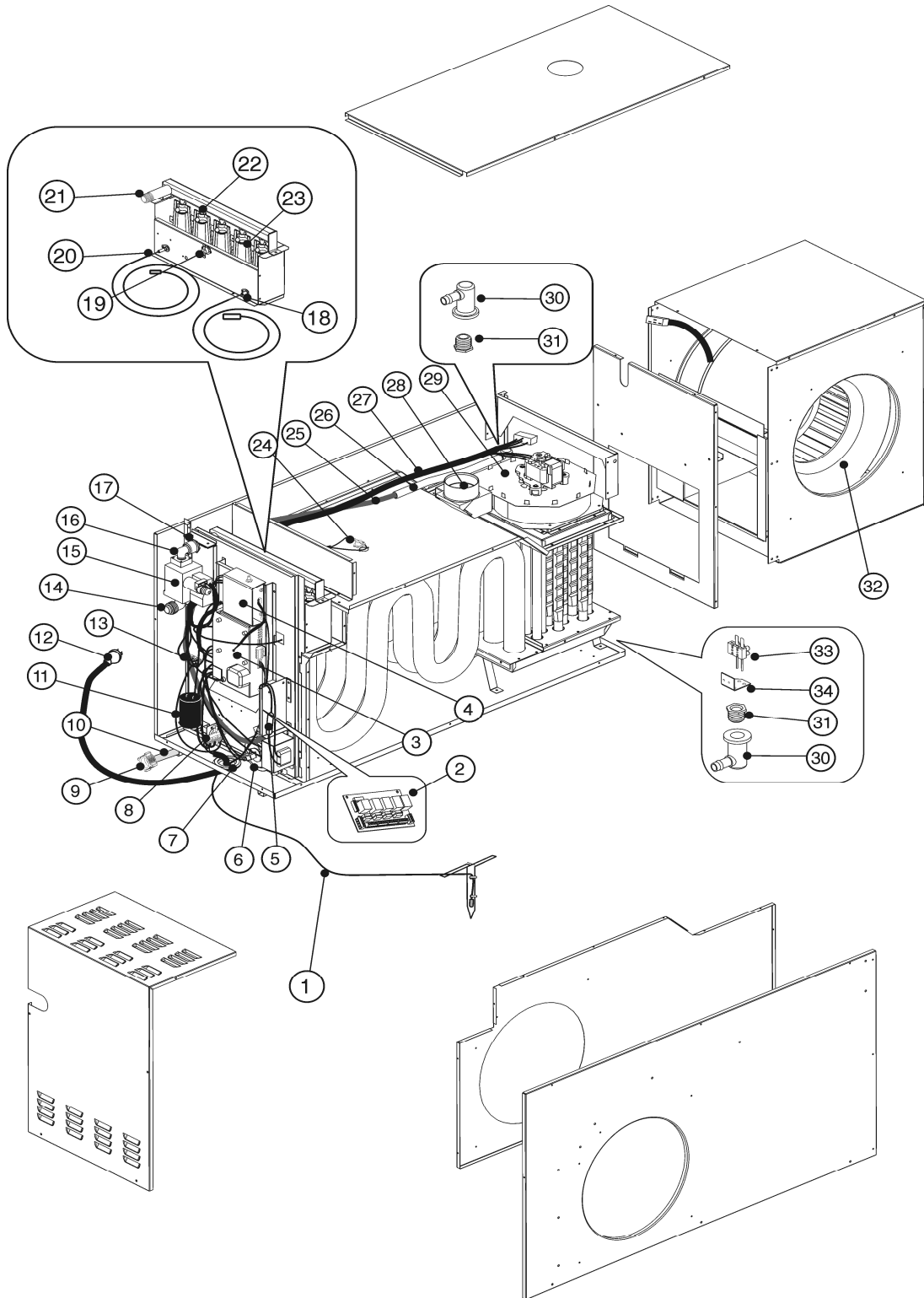
5110023 BV5 30l 30Kw Internal

5110027 BV5 30l 30Kw X/A Internal

5110033 BV5 35l 35Kw Internal

Date Issued
1-Mar-15

Product Section Details

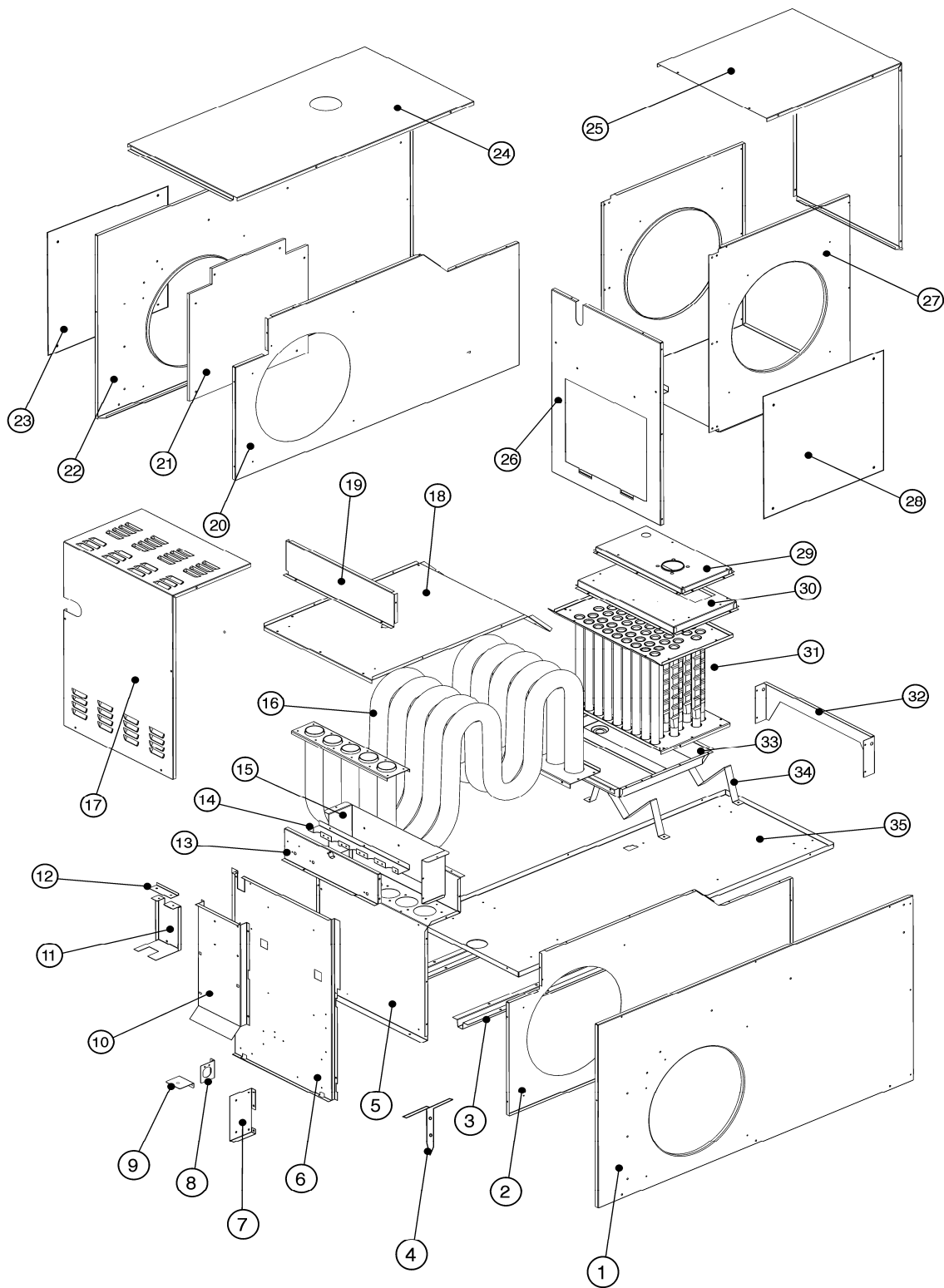
Section No
H10.11Issue Status
B**BV5 High Efficiency Ducted Gas Central Heating**Models: BV5 15, 21, 21xa, 30, 30xa, 35
Internal Units - Tubular Heat ExchangerPage
1

Date Issued 1-Mar-15	Product Section Details BV5 High Efficiency Ducted Gas Central Heating	Section No H10.11
Issue Status B	Models: BV5 15, 21, 21xa, 30, 30xa, 35 Internal Units - Tubular Heat Exchanger	Page 2

ITEM NUMBER	DESCRIPTION	PART NUMBER	COMMENTS
1	THERMISTOR BV5	5111605SP	
2	CONTROL BOARDS ZONE SER 2&3	5311213SP	
3	CONTROL BOARD MAIN BV5 2008	5111220SP	NLA - see replacement kits below
4	CONTROL BOARD SMALL BV5 2008	5111221SP	NLA - see replacement kits below
	CONT PNE->TYT B5 INT RF NAV	5121220SP	
	CONT PNE->TYT B5 INT LV NAV	5121221SP	
	CONT PNE->TYT B5 INT ADDNL KT	5121223SP	
	CONTROL BD MB4/5 (NO LOOM)	5441212SP	Replacement board for TYT kits
5	FUSE - 2 AMP QUICK BLOW	6031603SP	
6	PRESSURE SWITCH BV5	5111205SP	
7	GROMMET-3-046-0012	0121511SP	
8	CABLE CLAMP & TERMINAL BLOC	904160SP	
9	CONDEN DRAIN FTG ASSY-FEMAL	5110921SP	
10	HOSE CONDENSATION	5110930SP	
11	CAPACITOR 8UF	9041888SP	15KW, 21KW, 21KW X/A, 30KW
	CAPACITOR 20UF	9063800SP	30KW XA, 35KW
12	SERVICE LEAD	3801601SP	
13	TERMINAL H1991 6 WAY EARTH	0162406SP	
14	ELBOW 90DEG BRASS	0100471SP	
15	GAS VALVE SIGMA 845	5310702SP	
	HARNESS SIGMA 840	5311607SP	
16	ELBOW 90DEG BRASS	0100471SP	
17	LOCKNUT	0141270SP	
18	FLAME SENSOR-50MM PROBE	5011635SP	
19	SWITCH OVERTEMP	0162642SP	
20	ELECTRODE INGNITOR(0161021)	9041912SP	
	IGNITOR ASSEMBLY	5312081SP	SEE SPECIAL COMMENTS
21	MANIFOLD V5 5 BNR	5110902SP	15KW, 21KW
	MANIFOLD V5 6 BNR	5110903SP	30KW
	MANIFOLD V5 7 BNR	5110904SP	35KW
22	JET NG 1.90MM	0081025SP	15KW
	JET NG 2.00MM	0081020SP	21KW, 21KW X/A
	JET NG 2.15MM	0081026SP	30KW X/A, 35KW
23	BURNER BECKET	5110601SP	
24	SWITCH OVERTEMP	2055821SP	
25	HOSE PRESSURE SWITCH	5110931SP	
26	HOSE COMBUSTION	5110932SP	
27	LOOM MAIN V5/P5 2005	5111601SP	
28	FLUE TRANSITION	5110310SP	
29	COMBUSTION FAN ASSY-BV5/BP5	5110810SP	INCLUDES FLUE CONNECTOR
30	CONDENSATE DRAIN FITTING-MA	5110920SP	COMBUSTION & CONDENSATE DRAIN
31	CONDENSATE DRAIN FITTING-BU	5110922SP	COMBUSTION & CONDENSATE DRAIN
32	FAN ASSY 250W S/S (5011605SP)	9241851SP	15KW, 21KW
	FAN ASSY 600W S/S (5011606SP)	9243802SP	21KW XA, 30KW

Date Issued
1-Mar-15

Product Section Details

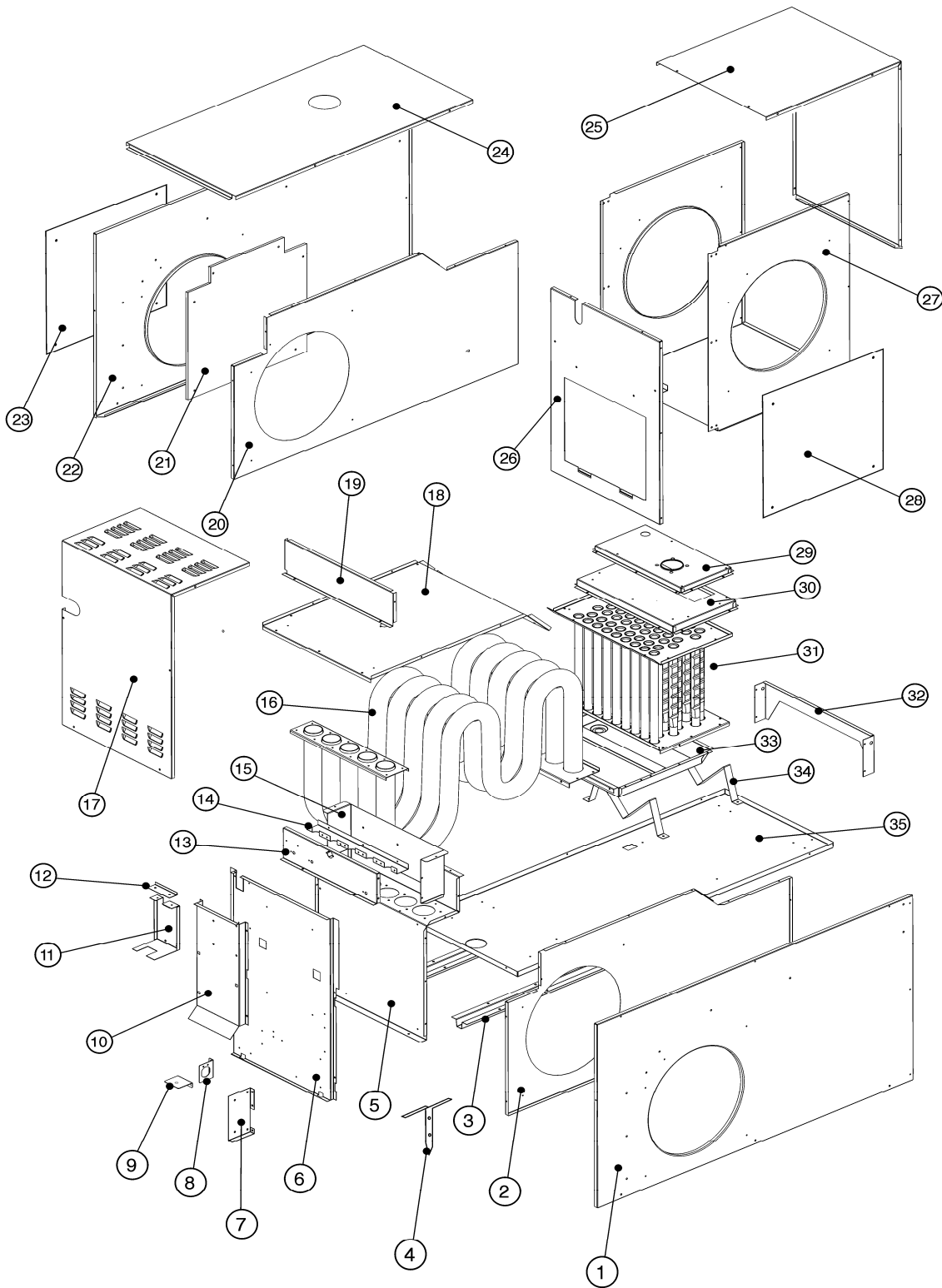
Section No
H10.11Issue Status
B**BV5 High Efficiency Ducted Gas Central Heating**Models: BV5 15, 21, 21xa, 30, 30xa, 35
Internal Units - Tubular Heat ExchangerPage
3

Date Issued 1-Mar-15	Product Section Details BV5 High Efficiency Ducted Gas Central Heating	Section No H10.11
Issue Status B	Models: BV5 15, 21, 21xa, 30, 30xa, 35 Internal Units - Tubular Heat Exchanger	Page 4

ITEM NUMBER	DESCRIPTION	PART NUMBER	COMMENTS
	FAN ASSY 750W S/S (5011607SP)	9263802SP	30KW XA, 35KW
33	CONDENSATE SENSOR	5111610SP	
34	BRACKET-CONDENSATE SENSOR	5112018SP	
	INST-INSTALLATION BV5/BP5 2	5112205ASP	
	PANEL SIDE LH-INT 14"	5110108SP	
2	SKIN LH 12"	5110101SP	15KW, 21KW
	SKIN LH 14"	5110102SP	30KW, 35KW
3	RAIL BASE V5/P5	5112005SP	
4	BRACKET-ROOM AIR THERMISTOR	5112025SP	
5	PLATE HEAT EXCHANGE 5 BNR	5112007SP	15KW, 21KW
	PLATE HEAT EXCHANGE 6 BNR	5112008SP	30KW
	PLATE HEAT EXCHANGE 7 BNR	5112009SP	35KW
6	PANEL ELECTRICS 5 BNR	5110148SP	15KW, 21KW
	PANEL ELECTRICS 6 BNR	5110168SP	30KW
	PANEL ELECTRICS 7 BNR	5110188SP	35KW
7	BRACKET-ZONE BOARD	5112012SP	
8	BRACKET-TERM BLOCK/CABLE CL	5112013SP	
9	BRACKET-CAPACITOR	5112014SP	
10	PANEL CONTROL BOARDS	5110121SP	
11	BRACKET-VALVE SUPPORT	5112017SP	
12	BRACKET-MANIFOLD RETAINING	5112026SP	
13	PLATE IGNITER 5 BNR	5112041SP	15KW, 21KW
	PLATE IGNITER 6 BNR	5112042SP	30KW
	PLATE IGNITER 7 BNR	5112043SP	35KW
14	BURNER MOUNTING BRACKET 5 BNR	5112036SP	15KW, 21KW
	BURNER MOUNTING BRACKET 6 BNR	5112037SP	30KW
	BURNER MOUNTING BRACKET 7 BNR	5112038SP	35KW
15	BURNER BOX 5 BNR	5112031SP	15KW, 21KW
	BURNER BOX 6 BNR	5112032SP	30KW
	BURNER BOX 7 BNR	5112033SP	35KW
16	HEAT EXCH PRIMARY 4 BNR BV5/	5110301SP	15KW
	HEAT EXCH PRIMARY 5 BNR BV5/	5110302SP	21KW
	HEAT EXCH PRIMARY 6 BNR BV5/	5110303SP	30KW
	HEAT EXCH PRIMARY 7 BNR BV5/	5110304SP	35KW
17	PANEL FRONT INT 5 BNR	5110144SP	15KW, 21KW
	PANEL FRONT INT 6 BNR	5110164SP	30KW
	PANEL FRONT INT 7 BNR	5110184SP	35KW
18	PANEL SEPERATION 5 BNR	5110142SP	15KW, 21KW
	PANEL SEPERATION 6 BNR	5110162SP	30KW
	PANEL SEPERATION 7 BNR	5110182SP	35KW
19	SUPPORT TOP PANEL 5 BNR	5110149SP	15KW, 21KW
	SUPPORT TOP PANEL 6 BNR	5110169SP	30KW
	SUPPORT TOP PANEL 7 BNR	5110189SP	35KW

Date Issued
1-Mar-15

Product Section Details

Section No
H10.11Issue Status
B**BV5 High Efficiency Ducted Gas Central Heating**Models: BV5 15, 21, 21xa, 30, 30xa, 35
Internal Units - Tubular Heat ExchangerPage
5

Date Issued 1-Mar-15	Product Section Details BV5 High Efficiency Ducted Gas Central Heating	Section No H10.11
Issue Status B	Models: BV5 15, 21, 21xa, 30, 30xa, 35 Internal Units - Tubular Heat Exchanger	Page 6

ITEM NUMBER	DESCRIPTION	PART NUMBER	COMMENTS
20	SKIN RH 12"	5110112SP	15KW, 21KW
	SKIN RH 14"	5110113SP	30KW, 35KW
21	COVER SKIN 12-14" INT	5110119SP	
22	PANEL SIDE RH-INT 12"	5110104SP	15KW, 21KW
	PANEL SIDE RH-INT 14"	5110114SP	30KW, 35KW
23	COVER PLATE 12-14" INT	5110118SP	
24	PANEL TOP INT 5 BNR	5110146SP	15KW, 21KW
	PANEL TOP INT 6 BNR	5110166SP	30KW
	PANEL TOP INT 7 BNR	5110186SP	35KW
25	FAN BOX LID INT 5 BNR	5110154SP	15KW, 21KW
	FAN BOX LID INT 6 BNR	5110174SP	30KW
	FAN BOX LID INT 7 BNR	5110194SP	35KW
26	PANEL FAN MOUNTING INT 5 BNR	5110152SP	15KW, 21KW
	PANEL FAN MOUNTING INT 6 BNR	5110172SP	30KW
	PANEL FAN MOUNTING INT 7 BNR	5110192SP	35KW
27	FAN BOX INT 12" 4 BNR	5110130SP	15KW, 21KW
	FAN BOX INT 14" 6 BNR	5110170SP	30KW
	FAN BOX INT 14" 7 BNR	5110190SP	35KW
28	COVER PLATE 12-14" INT	5110118SP	
29	BOX-COMBUSTION FAN	5112015SP	
30	TOP BOX LID 5 BNR	5311348SP	15KW, 21KW
	TOP BOX LID 6 BNR	5311368SP	30KW
	TOP BOX LID 7 BNR	5311388SP	35KW
31	HEAT EXCH SECONDARY 4 BNR	5110311SP	15KW
	HEAT EXCH SECONDARY 5 BNR	5110312SP	21KW
	HEAT EXCH SECONDARY 6 BNR	5110313SP	30KW
	HEAT EXCH SECONDARY 7 BNR	5110314SP	35KW
32	PLATE STIFFENING 5 BNR	5112019SP	15KW, 21KW
	PLATE STIFFENING 6 BNR	5112029SP	30KW
	PLATE STIFFENING 7 BNR	5112039SP	35KW
33	COLLECTION BOX ASSY 5 BNR	5110347SP	15KW, 21KW
	COLLECTION BOX ASSY 6 BNR	5110367SP	30KW
	COLLECTION BOX ASSY 7 BNR	5110387SP	35KW
34	SUPPORT SECONDARY	5112016SP	
35	PANEL BASE 5BNR V5/P5	5110140SP	15KW, 21KW
	PANEL BASE 6BNR V5/P5		30KW
	PANEL BASE 7BNR V5/P5		35KW



“Excelling today for a better tomorrow”

Text and Illustration Copyright Climate Technologies 2006

All rights reserved. No part of this document may be reproduced or transmitted in any form or by any means, electronic or mechanical, including photocopying, recording or by any information storage and retrieval system, without prior permission in writing from Climate Technologies

In the interest of continued product improvement Climate Technologies reserves the right to alter specifications without notice. E.&O.E.