



# REPLACEMENT PARTS MANUAL



Date Issued  
**1-Mar-15**

Product Section Details

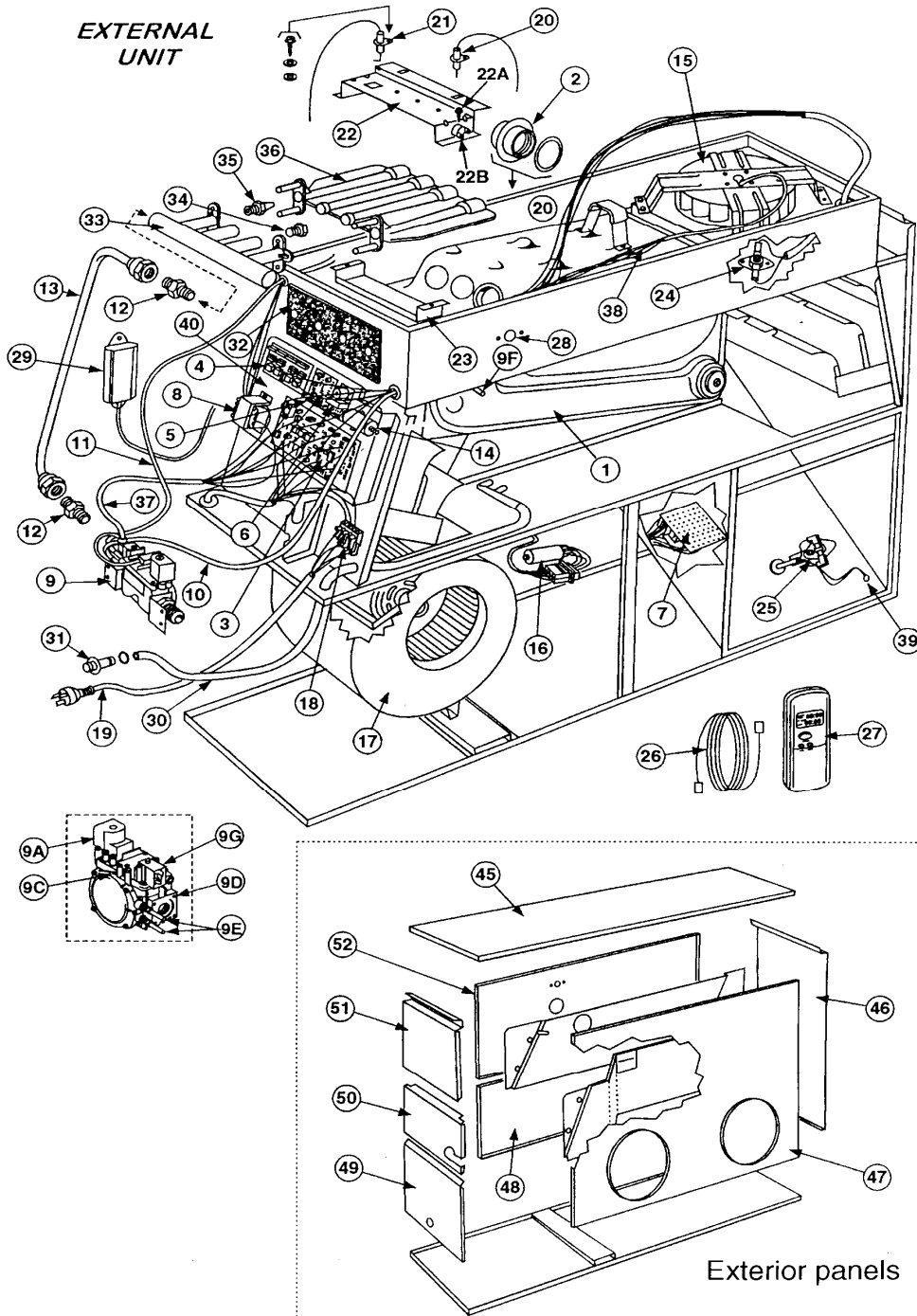
Section No  
**H10.08**

Issue Status  
**D**

**ULTRA / IHE / V5 High Efficiency - External**

Models: ULTRA 15, 21, 30  
IHE / V5 15, 21, 30

Page  
**1**





# REPLACEMENT PARTS MANUAL



Date Issued <b>1-Mar-15</b>	Product Section Details <b>ULTRA / IHE / V5 High Efficiency - External</b>	Section No <b>H10.08</b>
Issue Status <b>D</b>	Models: ULTRA 15, 21, 30 IHE / V5 15, 21, 30	Page <b>2</b>

ITEM NUMBER	DESCRIPTION	PART NUMBER	COMMENTS
1	HEAT EXCHANGER 120MG 0.07	5031301SP	ULTRA, IHE, V5 30, 30XA
	HEAT EXCHANGER 90MJ 0.7	5021301SP	ULTRA, IHE, V5 21, 21XA
	HEAT EXCHANGER 60MG 0.7	5001301SP	ULTRA, IHE, V5 15
	CONTROL BOX COMBUSTION	924112SP	
2	CONNECTOR FLUE OUTLET	9041917SP	
3	CONTROL MAIN BOARD	5001611SP	ULTRA - NLA
	CONTROL BOARD MODULATING	5311231SP	IHE, V5 PRODUCTION FROM 7/5/2001
			This is a single board replacing 5001611SP, 5001612SP, 5001613SP, 5001614SP
			If fitted with zones, also need zone board 5311213SP and transformer 53116212SP
	WIRING KIT ULTRA EXT MODELS	5001630SP	Required with 5311231SP when replacing the 4 board system.
4	CONTROL BOARD ZONE MOD	5001621SP	ULTRA - NLA
	CONTROL BOARDS ZONE SER 2&3	5311213SP	IHE, V5 PRODUCTION FROM 3/5/2001
5	CONTROL BOARD COM FAN	5001613SP	ULTRA - NLA
6	IGNITION MODULE	5001614SP	ULTRA - NLA
7	CONTROL BOARD ROOM AIR FAN	5001612SP	ULTRA - NLA
8	TRANSFORMER 20 VA SP	5001616SP	ULTRA
	TRANSFORMER 2 AMP 24 VOLT PNE	5001680SP	ULTRA
	TRANSFORMER 240/24V AC	5311627SP	IHE, V5 PRODUCTION FROM 3/5/2001
9	GAS VALVE NOVAMIX LPG SIT828	5001201SP	AIR RATIO 1:9
	GAS VALVE NOVAMIX NG SIT828	5001202SP	AIR RATIO 1:3.5
9A	SOLENOID COIL EV1	5001672SP	
9B	COMPRESSION NUT & OLIVE	4914165SP	
9C	PLUG NOVAFIX OFFSET	5001207SP	
9D	SCREW M5X6MM	0141593SP	VALVE BRACKET MOUNTING SCREW
9E	TUBE AL 60MM	5000911SP	
9F	TUBE FLUE SENSOR 85 MJ	5000912SP	ULTRA, IHE, V5 30
	TUBE FLUE SENSOR 60 MJ	5000913SP	ULTRA, IHE, V5 21
	TUBE FLUE SENSOR 120MJ	5000914SP	ULTRA, IHE, V5 15
9G	SOLENOID COIL EV2	5001673SP	
9H	BRACKET VALVE MOUNTING	5002018SP	
10	TUBE GAS VALVE 1100 M	5000919SP	
11	TUBE GAS VALVE 1370MM ^X	5000918SP	
12	COMP. NIPPLE BR 1/2"BSP	0100484SP	
13	TUBE VALVE TO MANIFOLD	92511SP	
14	CAPACITOR 1.5UF	2565811SP	
14A	CLIP CAPACITOR	0140467SP	
15	COMBUSTION FAN ASSY	5000803SP	
16	CAPACITOR 8UF	9041888SP	ULTRA, IHE, V5 15, 21
	CAPACITOR 15UF	9043821SP	ULTRA, IHE, V5 30
17	FAN ASSY 250W-S/S (5011605SP)	9241851SP	ULTRA, IHE, V5 15, 21
	FAN ASSY 600W S/S (5011606SP)	9243802SP	ULTRA, IHE, V5 30





# REPLACEMENT PARTS MANUAL



Date Issued <b>1-Mar-15</b>	Product Section Details <b>ULTRA / IHE / V5 High Efficiency - External</b>	Section No <b>H10.08</b>
Issue Status <b>D</b>	Models: ULTRA 15, 21, 30 IHE / V5 15, 21, 30	Page <b>4</b>

ITEM NUMBER	DESCRIPTION	PART NUMBER	COMMENTS
	MOTOR 250W S/SPD R/A FAN	5011605SP	ULTRA, IHE, V5 15, 21
	MOTOR 600W S/SPD R/A FAN	5011606SP	ULTRA, IHE, V5 30
17A	BRACKET ROOM FAN PLUG	5002017SP	
18	TERMINAL BLOCK - SERVICE LEAD	2291647SP	
18A	SCREW - 8X1/2 +/- hd blv4305	0141455SP	
19	SERVICE LEAD	3801601SP	
20	ELECTRODE FLAME SENSOR	9041974SP	
21	ELECTRODE INGNITOR(0161021)	9041912SP	
22	PANEL BURNER COVER UPPER	5002019SP	
22A	THERMOSTAT OVERTEMP 110C	0162634SP	
22B	SCREW 4X3/8	0141462SP	
23	PANEL BURNER COVER LOWER	9041352SP	
24	THERMOSTAT MAN RESET C/OUT	9041914SP	
25	THERMOSTAT OUTLET AIR	9041916SP	
26	LOOM WIRING LV 20 MTR PNE	2511617SP	
27	WALL CONTROL - PREMIUM PNE	5001656SP	
	WALL CONTROL TOUCH PAD PNE	6051638SP	
	WALL CONTROL - RF PNE	5001619SP	
28	GLASS SIGHT WINDOW	N.L.A	
29	ANTENNA - PNE RF	5001618SP	
30	CONDENSATE TUBE 765mm	905167SP	
	CONDENSATE Y PIECE	9041924SP	
	CONDENSATION PIPE CLAMP	7021536SP	
30	CONDENSATION PIPE PLUG	9041176SP	
31	CONDENSATE DRAIN OUTLET SP	0101310SP	
32	MANIFOLD GASKET	924110SP	
33	MANIFOLD	9041989SP	
34	MANIFOLD PLUG	9041161SP	
35	JET NG 3.0MM	0081016SP	30KW
	JET NG 2.8MM	5011302SP	15 & 21KW
	JET LPG 1.65MM	0081023SP	
36	BURNER ASSEMBLY	9241800SP	
37	PLUG DOUBLE & LEAD	5001617SP	
38	INSULATOR QC 6.3MM	0161102SP	
39	LOOM MAIN EXT MODU SP	5001655SP	THERMISTOR ONLY AVAIL IN LOOM
40	PANEL ELECTRICS MOD EXT	5000121SP	ULTRA
	PANEL ELECTRICS MOD EXT	5010121SP	IHE, V5 PRODUCTION FROM 3/5/2001
45	PANEL CASE TOP	91516ECSP	ULTRA
	PANEL TOP EXT	5010142SP	IHE, V5
46	PANEL CASE SIDE LH	91515ECSP	ULTRA
	PANEL CASE SIDE LH	5010144SP	IHE, V5
47	PANEL REAR 12"	5000136SP	ULTRA 15, 21
	PANEL REAR 12"	5010136SP	IHE, V5 15, 21
	PANEL REAR 14"	5000135SP	ULTRA 30



# REPLACEMENT PARTS MANUAL



Date Issued  
**1-Mar-15**

Product Section Details

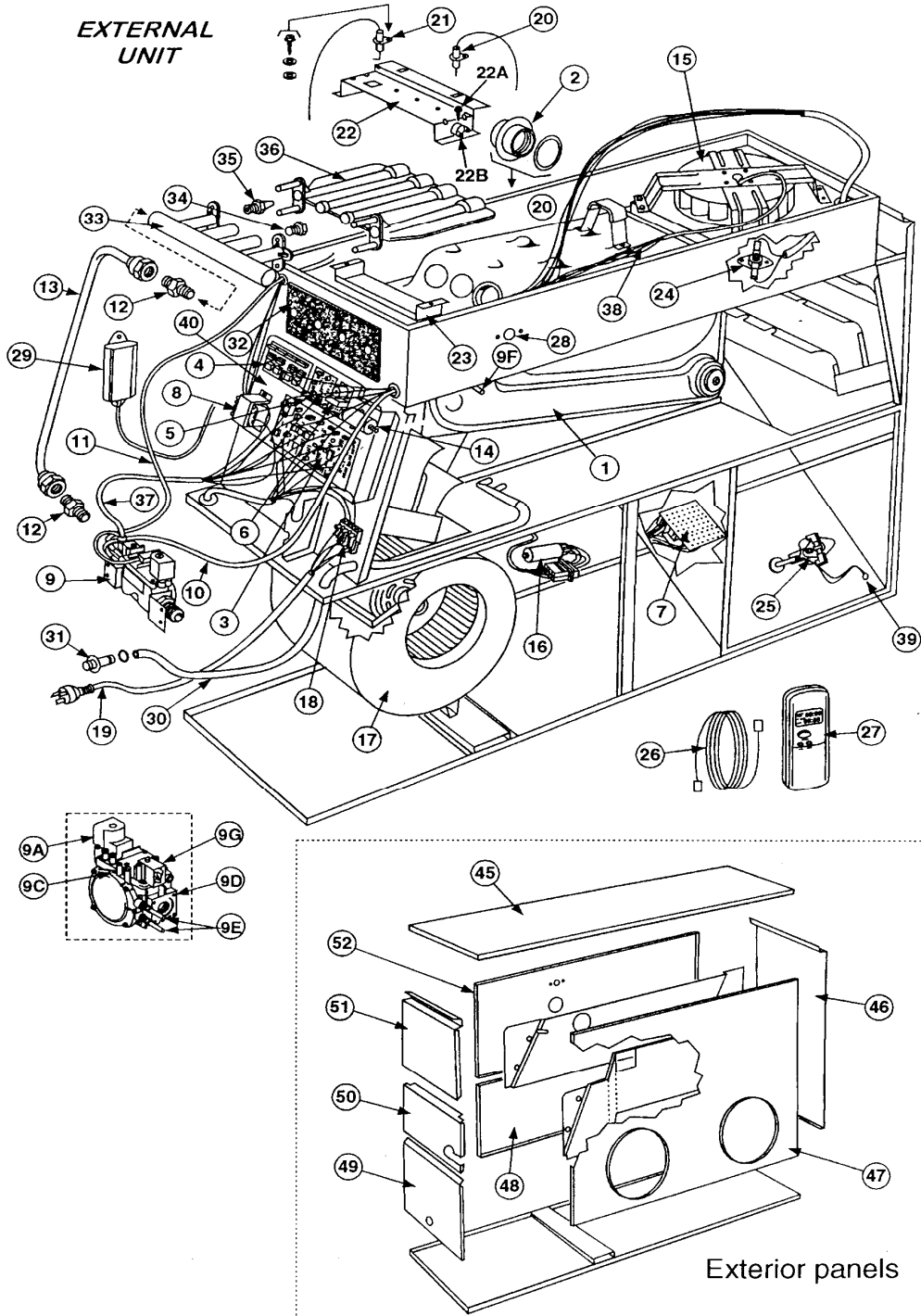
Section No  
**H10.08**

Issue Status  
**D**

**ULTRA / IHE / V5 High Efficiency - External**

Models: ULTRA 15, 21, 30  
IHE / V5 15, 21, 30

Page  
**5**



© Copyright 2001



# REPLACEMENT PARTS MANUAL



Date Issued <b>1-Mar-15</b>	Product Section Details <b>ULTRA / IHE / V5 High Efficiency - External</b>	Section No <b>H10.08</b>
Issue Status <b>D</b>	Models: ULTRA 15, 21, 30 IHE / V5 15, 21, 30	Page <b>6</b>

ITEM NUMBER	DESCRIPTION	PART NUMBER	COMMENTS
	PANEL REAR 14"	5010135SP	IHE, V5 30
48	PANEL FRONT LOWER	90516ECSP	ULTRA
49	PANEL CASE SIDE	905112ECSP	ULTRA
	PANEL CASE SIDE	5010145SP	IHE, V5
50	PANEL VALVE COVER	915133ECSP	
51	PANEL ELECTRICS COVER	91514ECSP	ULTRA
	PANEL ACCESS COVER	5010149SP	IHE, V5
52	PANEL FRONT UPPER MODULATING	5000143SP	ULTRA
	PANEL FRONT FLUE	5010143SP	IHE, V5
	FOR V5 VARIATION, SEE SECTION H10.11		
	ACCESSORIES		
	TUBE INLET NG		
	TUBE INLET LPG	9242809SP	
	FLUE TERMINAL EXT	9051819SP	
	LOOM WIRING LV 20 MTR PNE	2511617SP	