



REPLACEMENT PARTS MANUAL



Date Issued
1-Mar-15

Product Section Details

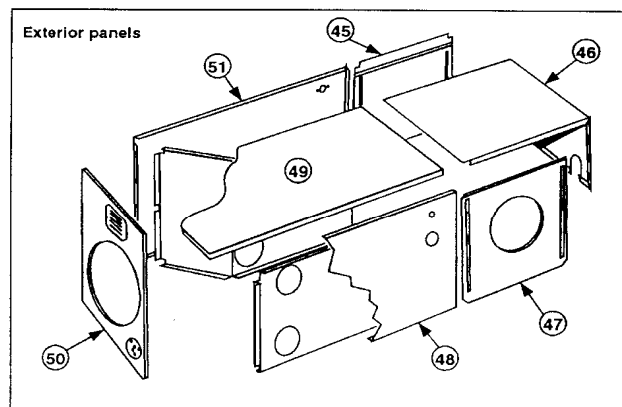
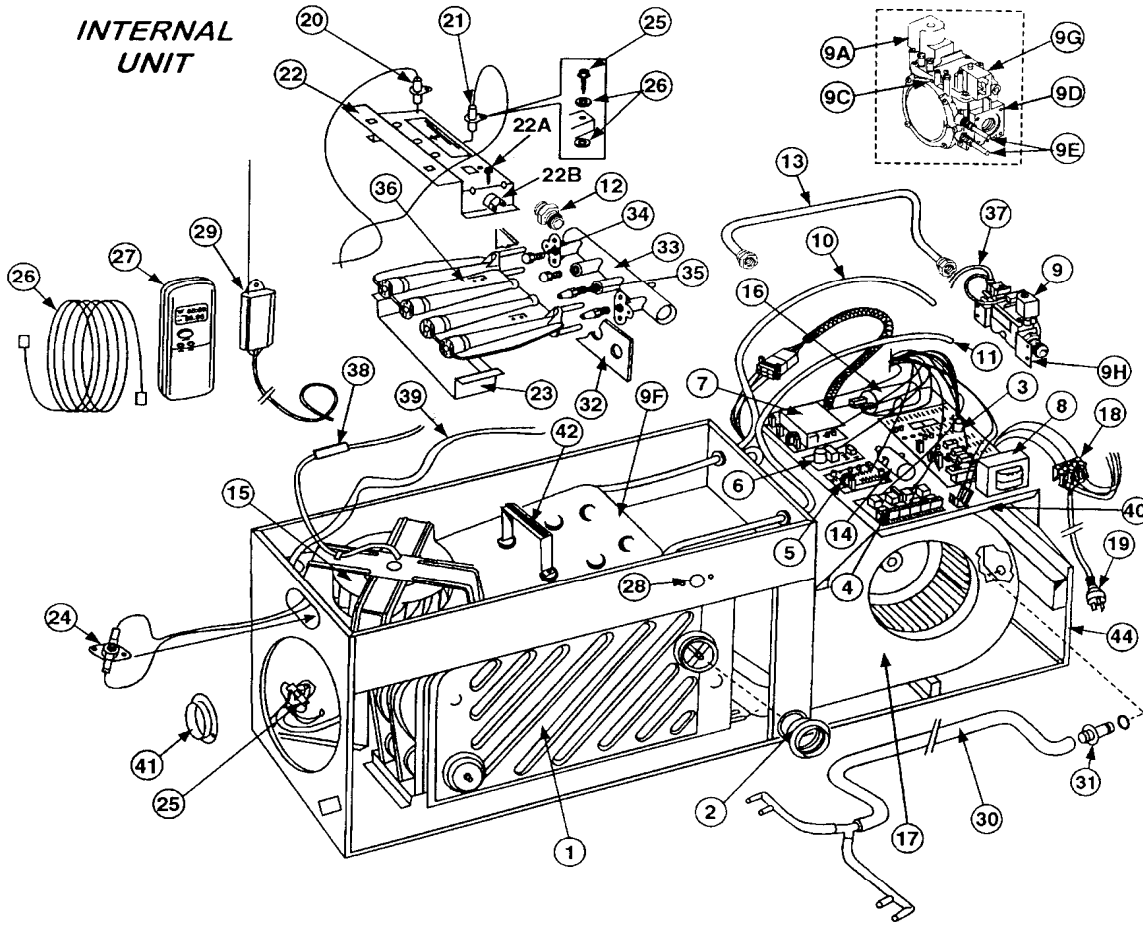
Section No
H10.07

Issue Status
D

ULTRA, IHE, V5 High Efficiency - Internal

ULTRA15, 21, 21XA, 30, 30XA
IHE, V5 15, 21, 21XA, 30, 30XA

Page
1





REPLACEMENT PARTS MANUAL



| | | |
|--------------------------------|---|-----------------------------|
| Date Issued 1-Mar-15 | Product Section Details ULTRA, IHE, V5 High Efficiency - Internal | Section No H10.07 |
| Issue Status D | ULTRA15, 21, 21XA, 30, 30XA IHE, V5 15, 21, 21XA, 30, 30XA | Page 2 |

| ITEM NUMBER | DESCRIPTION | PART NUMBER | COMMENTS |
|-------------|-------------------------------|-------------|---|
| 1 | HEAT EXCHANGER 120MG 0.07 | 5031301SP | ULTRA, IHE, V5 30, 30XA |
| | HEAT EXCHANGER 90MJ 0.7 | 5021301SP | ULTRA, IHE, V5 21, 21XA |
| | HEAT EXCHANGER 60MG 0.7 | 5001301SP | ULTRA, IHE, V5 15 |
| | CONTROL BOX COMBUSTION | 924112SP | |
| 2 | CONNECTOR FLUE OUTLET | 9041917SP | |
| | BRACKET FLUE SUPPORT | 9041199SP | ULTRA |
| | BRACKET FLUE SUPPORT | 5012001SP | IHE, V5 |
| 3 | CONTROL MAIN BOARD | 5001611SP | ULTRA - NLA |
| | CONTROL BOARD MODULATING | 5311231SP | IHE, V5 PRODUCTION FROM 7/5/2001 |
| | | | This is a single board replacing 5001611SP, 5001612SP, 5001613SP, 5001614SP |
| | | | If fitted with zones, also need zone board 5311213SP and transformer 53116212SP |
| | WIRING KIT ULTRA INT MODELS | 5001629SP | Required with 5311231SP when replacing the 4 board system. |
| 4 | CONTROL BOARD ZONE MOD | 5001621SP | ULTRA - NLA |
| | CONTROL BOARDS ZONE SER 2&3 | 5311213SP | IHE, V5 PRODUCTION FROM 7/5/2001 |
| 5 | CONTROL BOARD COMB FAN | 5001613SP | ULTRA - NLA |
| 6 | IGNITION MODULE | 5001614SP | ULTRA - NLA |
| 7 | CONTROL BOARD ROOM AIR FAN | 5001612SP | ULTRA - NLA |
| 8 | TRANSFORMER 20 VA SP | 5001616SP | ULTRA |
| | TRANSFORMER 2 AMP 24 VOLT PNE | 5001680SP | ULTRA |
| | TRANSFORMER 240/24V AC | 5311627SP | IHE, V5 PRODUCTION FROM 7/5/2001 |
| 9 | GAS VALVE NOVAMIX LPG SIT828 | 5001201SP | AIR RATIO 1:9 |
| | GAS VALVE NOVAMIX NG SIT828 | 5001202SP | AIR RATIO 1:3.5 |
| 9A | SOLENOID COIL EV1 | 5001672SP | |
| 9B | COMPRESSION NUT & OLIVE | 4914165SP | |
| 9C | PLUG NOVAFIX OFFSET | 5001207SP | |
| 9D | SCREW M5X6MM | 0141593SP | VALVLE BRACKET MOUNING SCREW |
| 9E | TUBE AL 60MM | 5000911SP | |
| 9F | TUBE FLUE SENSOR 85 MJ | 5000912SP | ULTRA, IHE, V5 30, 30XA |
| | TUBE FLUE SENSOR 60 MJ | 5000913SP | ULTRA, IHE, V5 21, 21XA |
| | TUBE FLUE SENSOR 120MJ | 5000914SP | ULTRA, IHE, V5 15 |
| 9G | SOLENOID COIL EV2 | 5001673SP | |
| 9H | BRACKET VALVE BRACKET | 5002011SP | |
| 10 | TUBE GAS VALVE 930MM | 5000909SP | |
| 11 | TUBE GAS VALVE 1530 M | 5000910SP | |
| 12 | COMP. NIPPLE BR 1/2"BSP | 0100484SP | |
| 13 | PIPE VALVE OUTLET-INT | 5000903SP | |
| 14 | CAPACITOR 1.5UF | 2565811SP | |
| 14A | CLIP CAPACITOR | 0140467SP | |
| 15 | COMBUSTION FAN ASSY | 5000803SP | |
| 16 | CAPACITOR 8UF | 9041888SP | ULTRA, IHE, V5 15, 21 |



REPLACEMENT PARTS MANUAL



Date Issued
1-Mar-15

Product Section Details

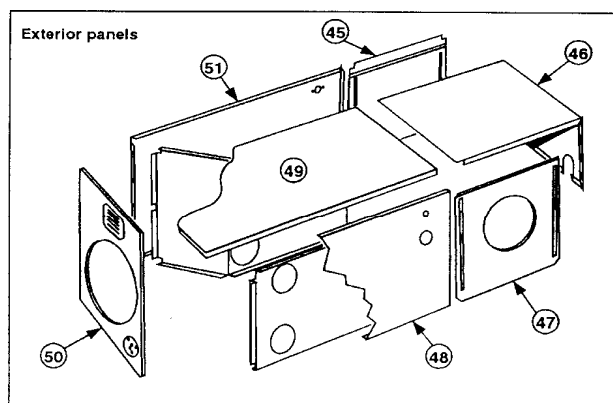
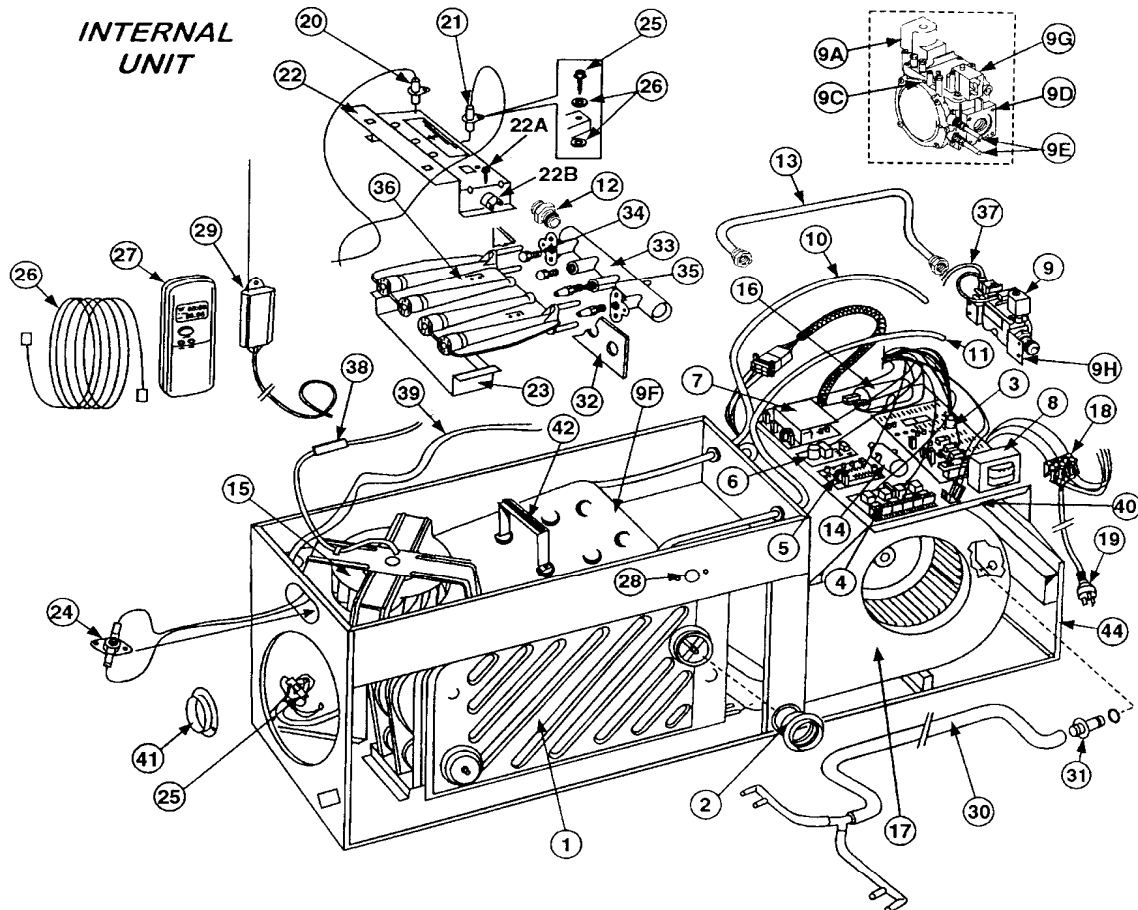
Section No
H10.07

Issue Status
D

ULTRA, IHE, V5 High Efficiency - Internal

ULTRA15, 21, 21XA, 30, 30XA
IHE, V5 15, 21, 21XA, 30, 30XA

Page
3



© Copyright 2001



REPLACEMENT PARTS MANUAL



| | | |
|--------------------------------|---|-----------------------------|
| Date Issued 1-Mar-15 | Product Section Details ULTRA, IHE, V5 High Efficiency - Internal | Section No H10.07 |
| Issue Status D | ULTRA15, 21, 21XA, 30, 30XA IHE, V5 15, 21, 21XA, 30, 30XA | Page 4 |

| ITEM NUMBER | DESCRIPTION | PART NUMBER | COMMENTS |
|-------------|-------------------------------|-------------|----------------------------------|
| | CAPACITOR 15UF | 9043821SP | ULTRA, IHE, V5 21XA, 30 |
| | CAPACITOR 20UF | 9063800SP | ULTRA, IHE, V5 30XA |
| 17 | FAN ASSY 250W-S/S (5011605SP) | 9241851SP | ULTRA, IHE, V5 15, 21 |
| | FAN ASSY 600W S/S (5011606SP) | 9243802SP | ULTRA, IHE, V5 21XA, 30 |
| | FAN ASSY 750W S/S (5011607SP) | 9263802SP | ULTRA, IHE, V5 30XA |
| | MOTOR 250W S/SPD R/A FAN | 5011605SP | 21KW UNITS |
| | MOTOR 600W S/SPD R/A FAN | 5011606SP | 30KW UNITS |
| | MOTOR 750W S/SPD R/A FAN | 5011607SP | 30KW XA UNITS |
| 17A | BRACKET ROOM FAN PLUG | 5002017SP | |
| 18 | TERMINAL BLOCK - SERVICE LEAD | 2291647SP | |
| 18A | SCREW - 8X1/2 +/- hd blv4305 | 0141455SP | |
| 19 | SERVICE LEAD | 3801601SP | |
| 20 | ELECTRODE FLAME SENSOR | 9041974SP | |
| 21 | ELECTRODE INGNITOR(0161021) | 9041912SP | |
| 22 | PANEL BURNER COVER UPPER | 5002019SP | |
| 22A | THERMOSTAT OVERTEMP 110C | 0162634SP | |
| 22B | SCREW 4X3/8 | 0141462SP | |
| 23 | PANEL BURNER COVER LOWER | 9041352SP | |
| 24 | THERMOSTAT MAN RESET C/OUT | 9041914SP | |
| 25 | THERMOSTAT OUTLET AIR | 9041916SP | |
| 26 | LOOM WIRING LV 20 MTR PNE | 2511617SP | |
| 27 | WALL CONTROL - PREMIUM PNE | 5001656SP | |
| | WALL CONTROL - RF PNE | 5001619SP | |
| | WALL CONTROL TOUCH PAD PNE | 6051638SP | |
| 28 | GLASS SIGHT WINDOW | N.L.A | |
| 29 | ANTENNA - PNE RF | 5001618SP | |
| 30 | CONDENSATE TUBE 765mm | 905167SP | |
| | CONDENSATE Y PIECE | 9041924SP | |
| | CONDENSATION PIPE CLAMP | 7021536SP | |
| 30 | CONDENSATION PIPE PLUG | 9041176SP | |
| 31 | CONDENSATE DRAIN OUTLET SP | 0101310SP | |
| 32 | MANIFOLD GASKET | 924110SP | |
| 33 | MANIFOLD | 9041989SP | |
| 34 | MANIFOLD PLUG | 9041161SP | |
| 35 | JET NG 3.0MM | 0081016SP | 30KW UNITS |
| | JET NG 2.8MM | 5011302SP | 15 & 21KW UNITS |
| | JET LPG 1.65MM | 0081023SP | |
| 36 | BURNER ASSEMBLY | 9241800SP | |
| 37 | PLUG DOUBLE & LEAD | 5001617SP | |
| 38 | INSULATOR QC 6.3MM | 0161102SP | |
| 39 | LOOM ROOM AIR CUT OUT INT | 5001627SP | THERMISTOR ONLY AVAIL IN LOOM |
| 40 | PANEL ELECTRIC MOD INT | 5000120SP | ULTRA |
| | PANEL ELECTRIC MOD EXT | 5010119SP | IHE, V5 PRODUCTION FROM 7/5/2001 |
| 41 | COMBUSTION AIR INLET | 9041175SP | |



REPLACEMENT PARTS MANUAL



Date Issued
1-Mar-15

Product Section Details

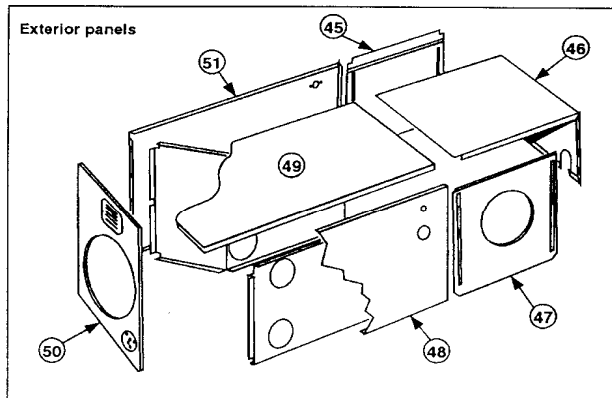
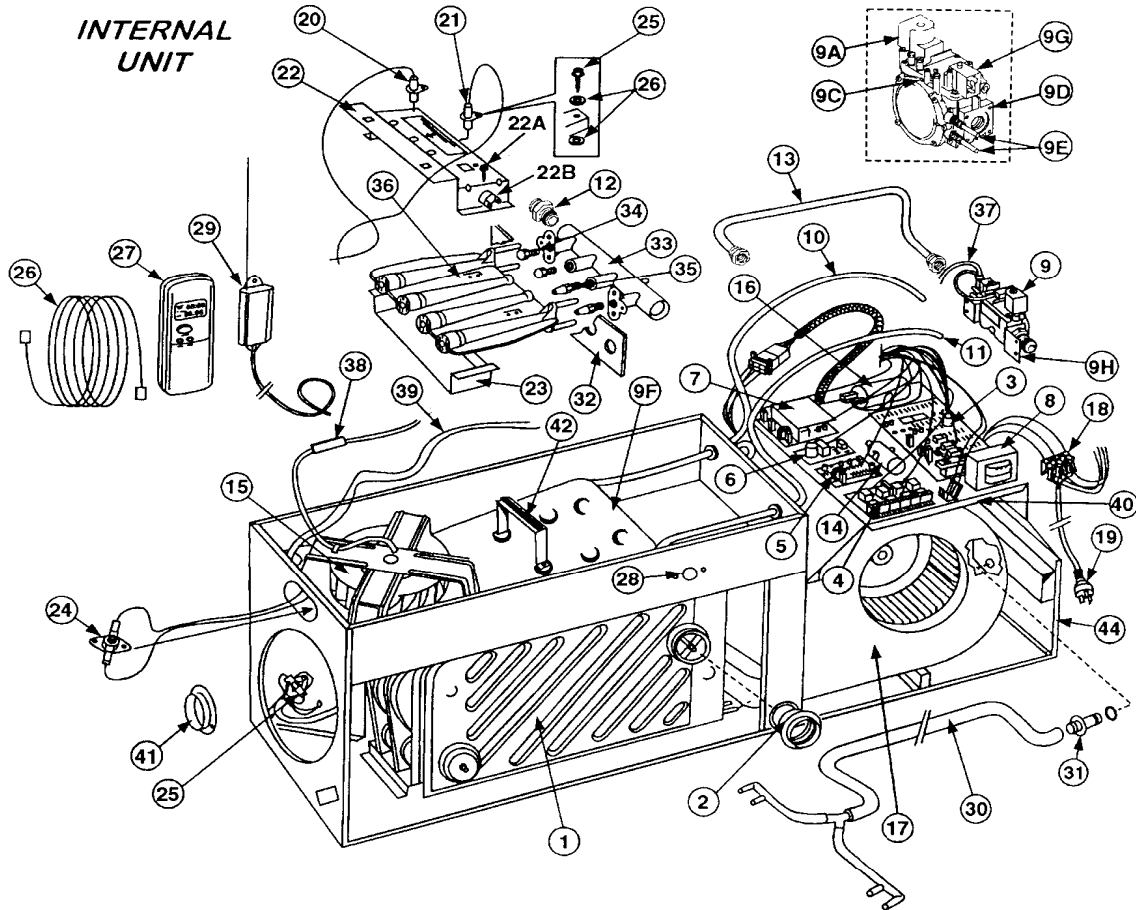
Section No
H10.07

Issue Status
D

ULTRA, IHE, V5 High Efficiency - Internal

ULTRA15, 21, 21XA, 30, 30XA
IHE, V5 15, 21, 21XA, 30, 30XA

Page
5



© Copyright 2001



REPLACEMENT PARTS MANUAL



| | | |
|--------------------------------|---|-----------------------------|
| Date Issued 1-Mar-15 | Product Section Details ULTRA, IHE, V5 High Efficiency - Internal | Section No H10.07 |
| Issue Status D | ULTRA15, 21, 21XA, 30, 30XA IHE, V5 15, 21, 21XA, 30, 30XA | Page 6 |

| ITEM NUMBER | DESCRIPTION | PART NUMBER | COMMENTS |
|-------------|-------------------------------------|-------------|--------------------------|
| 42 | LID POST | 905194SP | |
| 44 | PANEL VALVE MOUNTING ASSY | 5000147SP | |
| 45 | PANEL FAN ACCESS | 5000134SP | ULTRA 15, 21, 21XA, 30 |
| | PANEL FAN ACCESS | 5010134SP | IHE, V5 15, 21, 21XA, 30 |
| | PANEL FAN ACCESS | 5000133SP | ULTRA 30XA |
| | PANEL FAN ACCESS | 5010133SP | IHE, V5 30XA |
| 46 | PANEL FAN ACCESS | 5000123SP | ULTRA |
| | PANEL FAN ACCESS | 5010123SP | IHE, V5 |
| 47 | PANEL FAN INLET 10" IHE | 5000131SP | ULTRA 15, 21 |
| | PANEL FAN INLET 12" | 5010131SP | IHE, V5 15, 21 |
| | PANEL FAN INLET 14" IHE | 5000130SP | ULTRA 21XA, 30 |
| | PANEL FAN INLET 14" IHE | 5010130SP | IHE, V5 21XA, 30 |
| | PANEL FAN INLET 14" | 5000132SP | ULTRA 30XA |
| | PANEL FAN INLET 14" | 5010132SP | IHE, V5 30XA |
| 48 | PANEL SIDE LH | 5000138SP | ULTRA |
| | PANEL SIDE LH | 5010138SP | IHE, V5 |
| 49 | PANEL TOP | 5000122SP | ULTRA |
| | PANEL TOP | 5010122SP | IHE, V5 |
| 50 | PANEL REAR | 5000126SP | UNLTRA 15, 21, 21XA |
| | PANEL REAR 12" | 5010126SP | IHE, V5 15, 21, 21XA |
| | PANEL REAR | 5000127SP | ULTRA 30, 30XA |
| | PANEL REAR 14" | 5010127SP | IHE, V5 30, 30XA |
| 51 | PANEL SIDE RH | 5000139SP | ULTRA |
| | PANEL SIDE RH | 5010139SP | IHE, V5 |
| | FOR V5 VARIATIONS, SEE SECTION H10. | | |
| | ACCESSORIES | | |
| | TUBE INLET NG | | |
| | TUBE INLET LPG | 9242809SP | |
| | RESILIENT MOUNT | N.L.A | 4 PER UNIT |
| | COWL ASSY | 9241855SP | |
| | LOOM WIRING LV 20 MTR PNE | 2511617SP | |