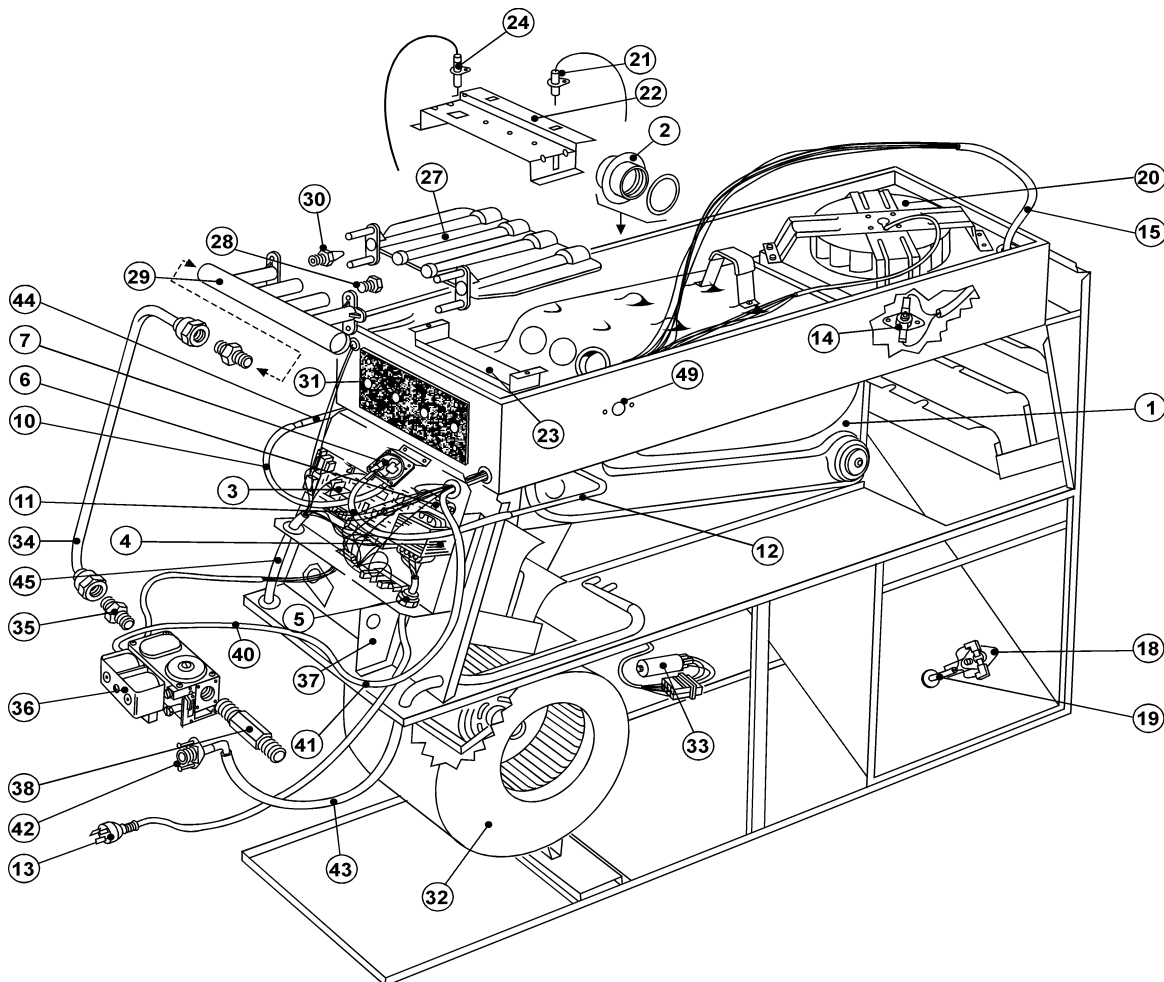


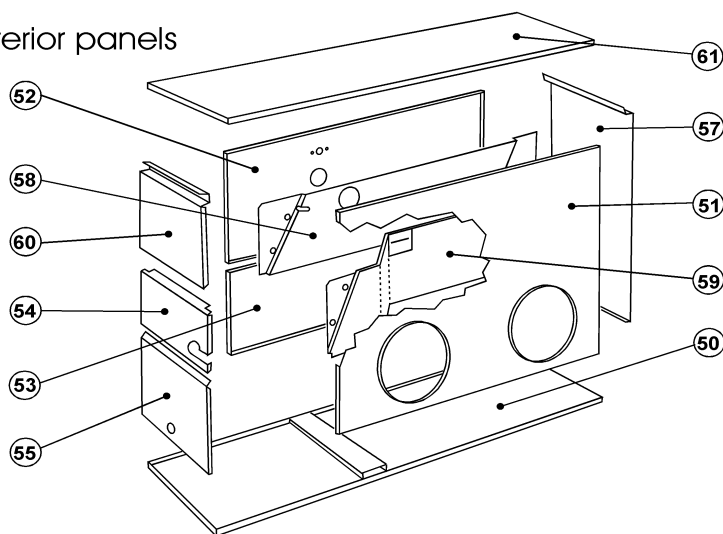


# REPLACEMENT PARTS MANUAL

Date Issued <b>20-May-01</b>	Product Section Details <b>VULCAN CENTRAL HEATING: 'V' SERIES EXTERNAL</b>	Section No <b>H10.06</b>
Issue Status <b>B</b>	N1.5 HARD WIRED CONTROL MODELS: VE15 ( 60MJ ) , VE19 ( 75MJ ) , VE28 ( 110MJ ) NATURAL GAS ONLY	Page <b>1</b>



Exterior panels





# REPLACEMENT PARTS MANUAL

Date Issued <b>20-May-01</b>	Product Section Details <b>VULCAN CENTRAL HEATING: 'V' SERIES EXTERNAL</b>	Section No <b>H10.06</b>
Issue Status <b>B</b>	N1.5 HARD WIRED CONTROL MODELS: VE15 ( 60MJ ) , VE19 ( 75MJ ) , VE28 ( 110MJ ) NATURAL GAS ONLY	Page <b>2</b>

ITEM NUMBER	DESCRIPTION	PART NUMBER	COMMENTS
1	HEAT EX W/O TOP BOX 60MJ	5001301SP	
	HEAT EX W/O TOP BOX 90MJ	5021301SP	
	HEAT EX W/O TOP BOX 120MJ	5031301SP	
	CONTROL BOX COMBUSTION	924112SP	
	GASKET FIBREGLASS TOP BOX	904318SP	
	GASKET HEAT EX CAP UPPER	904136SP	
	GASKET HEAT EX CONNECTION	9041449SP	
	O RING BS228	9041121SP	
2	CONNECTOR FLUE OUTLET	9041917SP	
3	CONTROL BOARD N1.5-S3	5001325SP	
	GROMMET ELECTRICAL BOX	9041179SP	
	GROMMET MACAM TYPE 5	925113SP	
4	TRANSFORMER	9241846SP	
5	TERMINAL BLOCK MAINS INPUT	9041920SP	
6	CAPACITOR 1.5uf 2FLY LEADS	2565811SP	
7	PRESSURE SWITCH EXT (BLUE)	9053905SP	
10	TUBE PRESSURE SWITCH	9051113SP	
11	TUBE PRESSURE SWITCH	9051113SP	
12	SENSOR LOW PRESSURE TUBE	905138SP	
13	SERVICE LEAD	904162SP	
14	THERMOSTAT MAN RESET C/OUT	9041914SP	
15	LOOM OVERTEMP C/OUT	9251810SP	
18	THERMOSTAT OUTLET AIR	9041916SP	
19	LOOM MOTOR 6 PIN	9251813SP	
20	FAN ASSY COMBUSTION	9041900SP	
21	ELECTRODE FLAME SENSOR	9041974SP	
22	PANEL BNR COVER UPPER N1.5	9041351SP	
23	PANEL BNR COVER LOWER N1.5	9041352SP	
24	DIRECT SPARK IGNITOR N1.5	5001311SP	
25	SCREW	S01949SP	
27	BURNER ASSY CAST AL	9041959SP	
28	INLET AIR GRILL	9041161SP	
29	MANIFOLD	9041989SP	
30	JET NG 2.8MM	5011302SP	
	JET NG 3.2MM	5001303SP	
31	GASKET MANIFOLD	924110SP	
32	FAN ASSY 250W VARIABLE SPD	9241851SP	VE15, 23
	FAN ASSY 600W VARIABLE SPD	9243802SP	VE30
	MOTOR ROOM AIR FAN 250W V/SPD	5011605SP	
	MOTOR ROOM AIR FAN 600W V/SPD	5011606SP	
33	CAPACITOR 8uf 4 MALE TERM.	9041888SP	VE15, 23
	CAPACITOR 15uf	9043821SP	VE30
34	PIPE VALVE TO MANIFOLD EXT	92511SP	
35	COMP. NIPPLE BR 1/2"BSP	0100484SP	



# REPLACEMENT PARTS MANUAL

Date Issued  
**20-May-01**

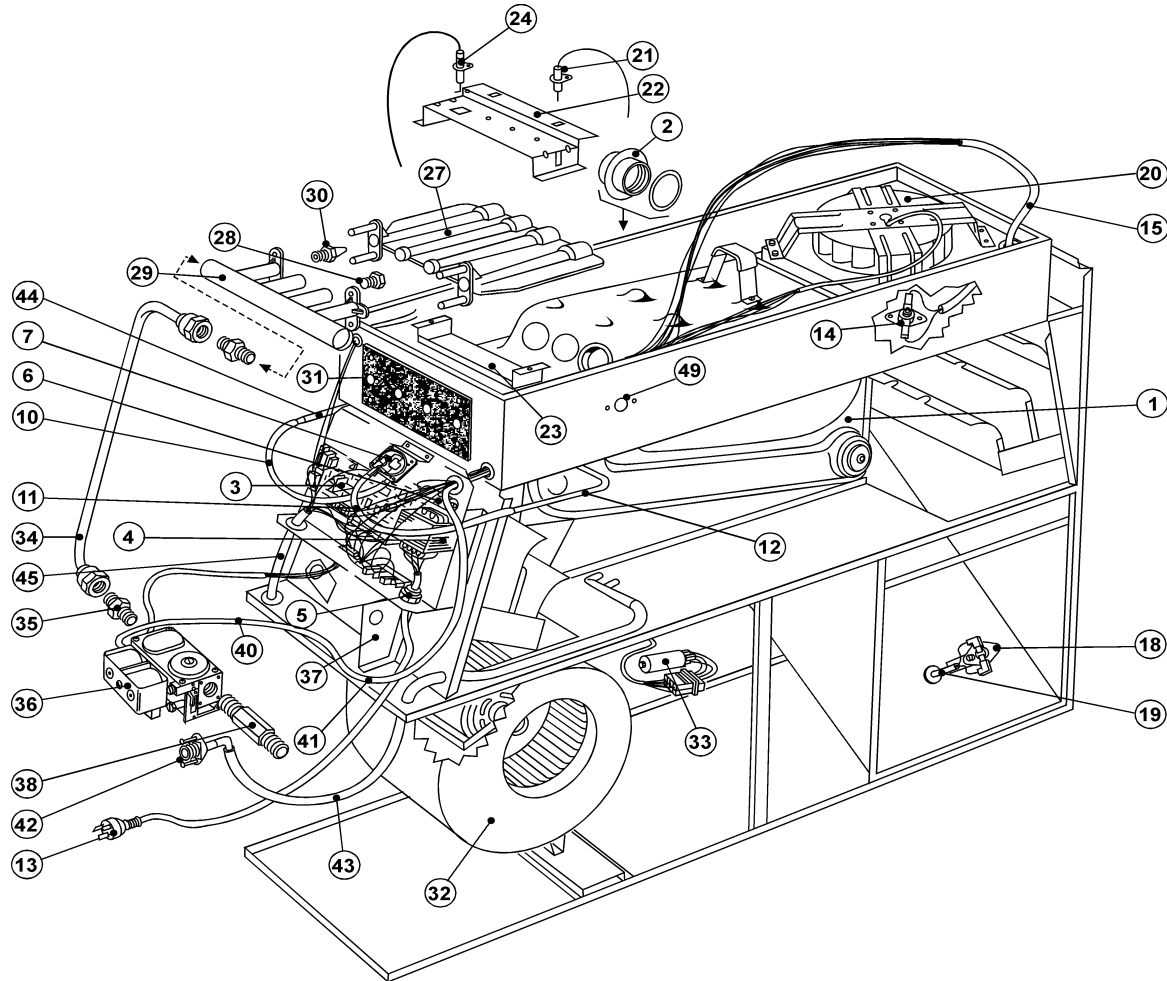
Product Section Details  
**VULCAN CENTRAL HEATING: 'V' SERIES EXTERNAL**

Section No  
**H10.06**

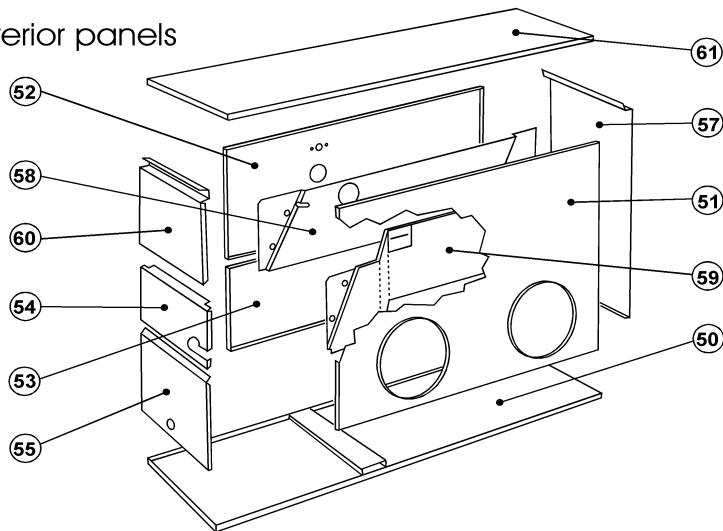
Issue Status  
**B**

N1.5 HARD WIRED CONTROL  
MODELS: VE15 ( 60MJ ) , VE19 ( 75MJ ) , VE28 ( 110MJ ) NATURAL GAS ONLY

Page  
**3**



Exterior panels



© Copyright 2001



# REPLACEMENT PARTS MANUAL

ITEM NUMBER	DESCRIPTION	PART NUMBER	COMMENTS
	Date Issued <b>20-May-01</b>	Product Section Details	
	Issue Status <b>B</b>	<b>VULCAN CENTRAL HEATING: 'V' SERIES EXTERNAL</b>	
		N1.5 HARD WIRED CONTROL	
		MODELS: VE15 ( 60MJ ) , VE19 ( 75MJ ) , VE28 ( 110MJ ) NATURAL GAS ONLY	
		Section No <b>H10.06</b>	
		Page <b>4</b>	
36	VALVE TANDEM N1.5 NO ECO	904377SP	
37	BRACKET VALVE SUPPORT	92514SP	
38	NIPPLE & COUPLING NG	92414SP	
40	PLUG & LOOM ASSY VALVE	9041990SP	
41	TUBE SILICON RUBBER	S06539SP	
42	OUTLET CONDENSATE DRAIN	9041969SP	
43	CONDENSATION TUBE	905167SP	
	CONDENSATE Y PIECE	9041924SP	
	CONDENSATION PIPE CLAMP	7021536SP	
	CONDENSATION PIPE PLUG	9041176SP	
44	PIPE SENSOR HIGH PRESSURE	9051101SP	
45	LOOM MOTOR 6 PIN	9251813SP	
49	GLASS SIGHT WINDOW	9021146SP	2 PER UNIT
	GASKET GLASS SIGHT WINDOW	9041396SP	
50	PANEL BASE CASE	905147SP	
51	PANEL REAR 14"	915130ECSP	
	PANEL REAR 12"INCH	91571ECSP	
52	PANEL FRONT UPPER	91517ECSP	
53	PANEL FRONT LOWER	90516ECSP	
54	PANEL VALVE COVER	915133ECSP	
55	PANEL CASE SIDE	905112ECSP	
57	PANEL CASE SIDE LH	91515ECSP	
58	PANEL AIR GUIDE FRONT	905141SP	
59	PANEL REAR AIR GUIDE 60MJ	90572SP	
	PANEL REAR AIR GUIDE 75&90	905142SP	
	PANEL REAR AIR GUIDE 110MJ	90534SP	
60	PANEL ELECTRICS COVER	91514ECSP	
61	PANEL CASE TOP	91516ECSP	
	SEAL LID ASSY	9041921SP	
	SCREW NO 8	S01946SP	COMMON ASSEMBLY SCREW
	ACCESSORIES :		
	PIPE INLET 3/4" NG	9241858SP	
	FLUE TERMINAL EXT	9051819SP	